

US00D697238S

(12) **United States Design Patent**
Thirumurugan

(10) **Patent No.:** **US D697,238 S**
(45) **Date of Patent:** **** Jan. 7, 2014**

(54) **LAMP**

(71) Applicant: **Natarajan Thirumurugan**, Wakefield,
MA (US)

(72) Inventor: **Natarajan Thirumurugan**, Wakefield,
MA (US)

(73) Assignee: **OSRAM SYLVANIA Inc.**, Danvers,
MA (US)

(**) Term: **14 Years**

(21) Appl. No.: **29/451,940**

(22) Filed: **Apr. 10, 2013**

(51) **LOC (10) Cl.** **26-04**

(52) **U.S. Cl.**
USPC **D26/2**

(58) **Field of Classification Search**
USPC D26/1-4; 313/313, 315, 316, 317, 318,
313/493; 315/52, 53, 56, 57, 58
See application file for complete search history.

(56) **References Cited**

U.S. PATENT DOCUMENTS

D532,532 S * 11/2006 Maxik D26/2
D544,110 S * 6/2007 Hooker et al. D26/2

D566,300 S * 4/2008 Lo D26/2
D581,555 S * 11/2008 To et al. D26/2
D584,838 S * 1/2009 To et al. D26/2
D610,722 S * 2/2010 Bi D26/2
D644,758 S 9/2011 Layevsky et al.
D663,057 S * 7/2012 Pan D26/2
D673,309 S * 12/2012 Tsai et al. D26/2

* cited by examiner

Primary Examiner — Marcus Jackson

(74) *Attorney, Agent, or Firm* — Edward S. Podszus

(57) **CLAIM**

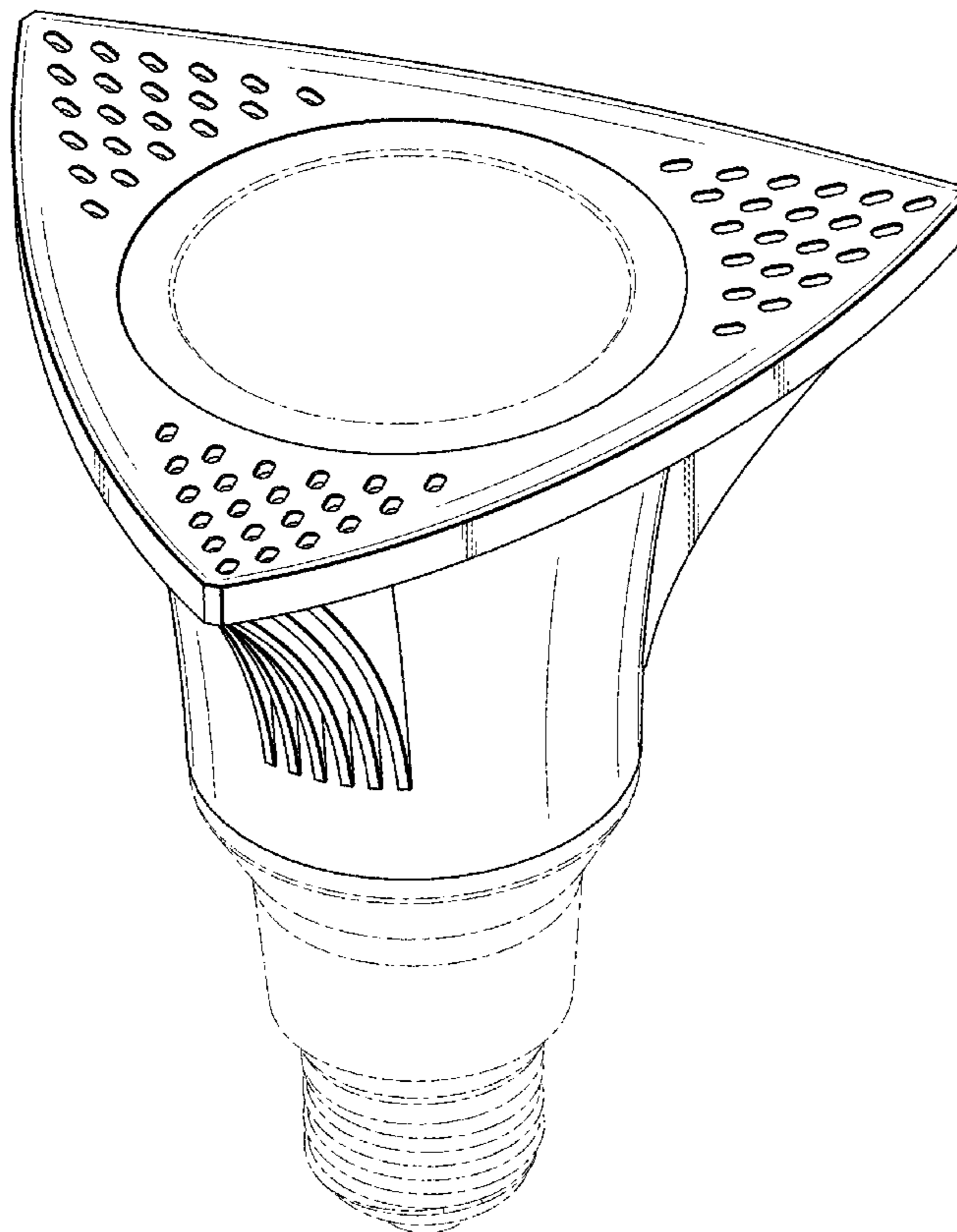
The ornamental design for a lamp, as shown and described.

DESCRIPTION

FIG. 1 is a perspective view of the new design for a lamp as seen from the front, top;
FIG. 2 is a front elevational view thereof;
FIG. 3 is a rear elevational view thereof;
FIG. 4 is a side elevational view thereof;
FIG. 5 is a top plan view thereof; and,
FIG. 6 is a bottom plan view thereof.

The broken line disclosure is for environmental purposes only and does not form a part of the claimed design.

1 Claim, 6 Drawing Sheets



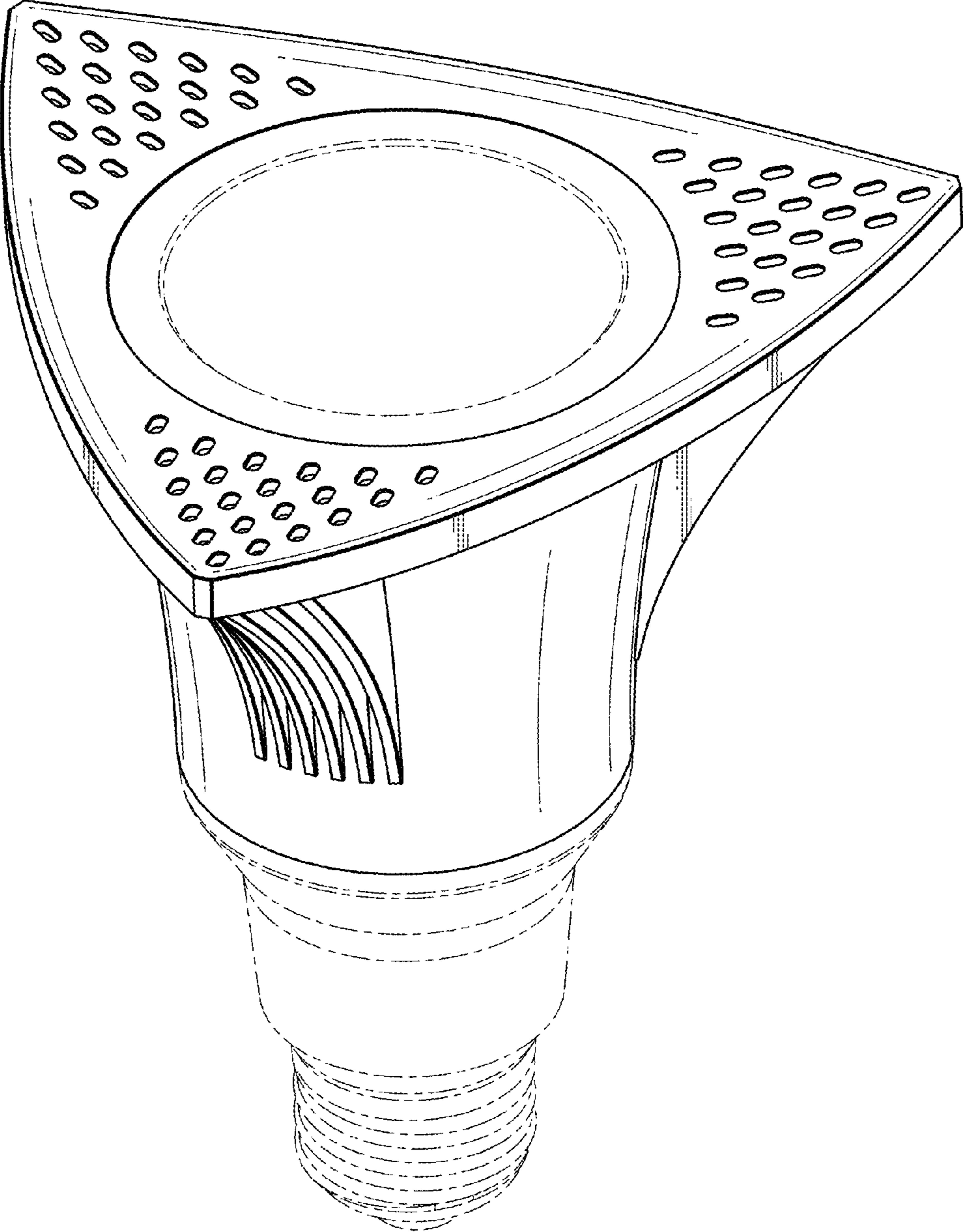


FIG. 1

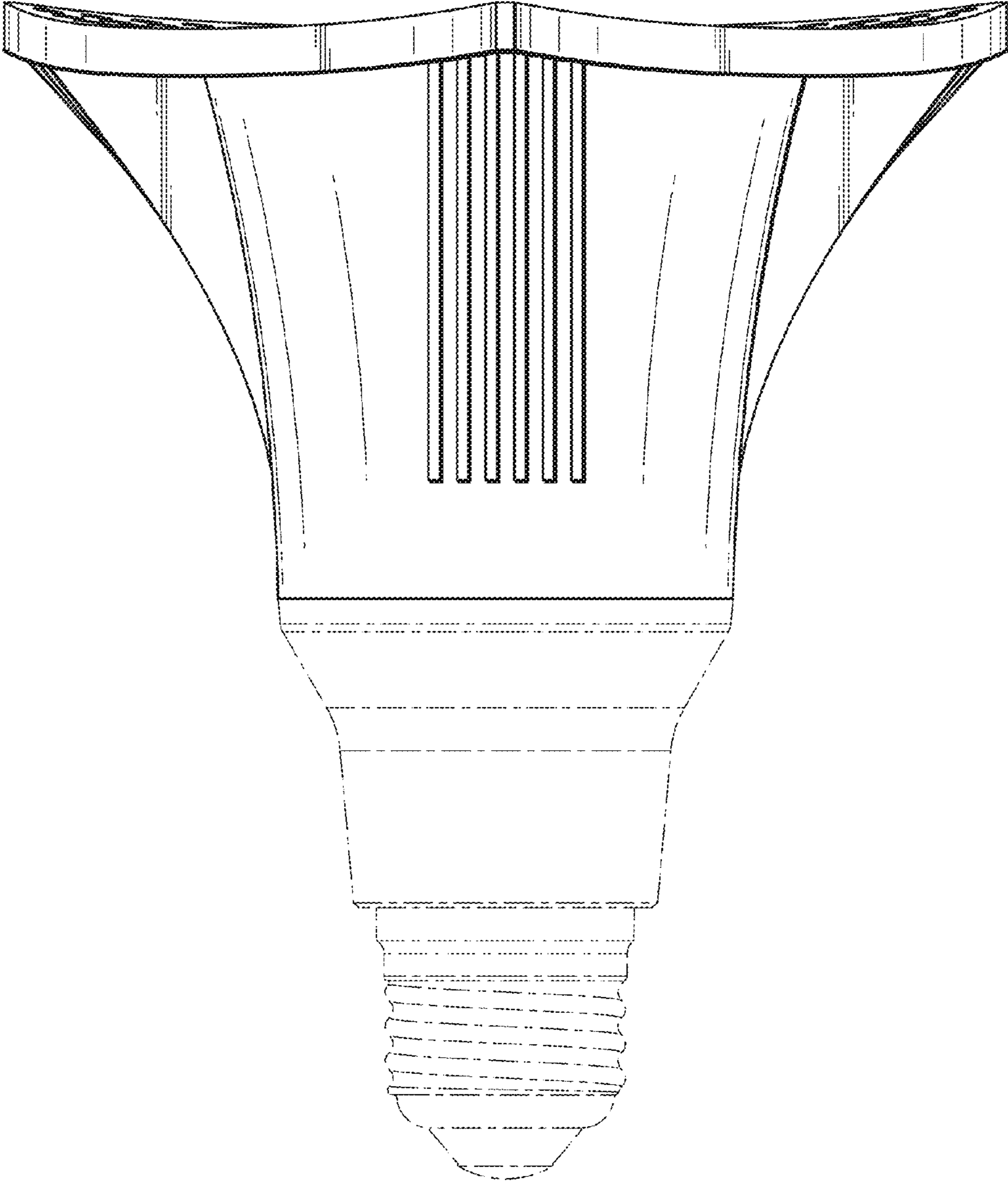


FIG. 2

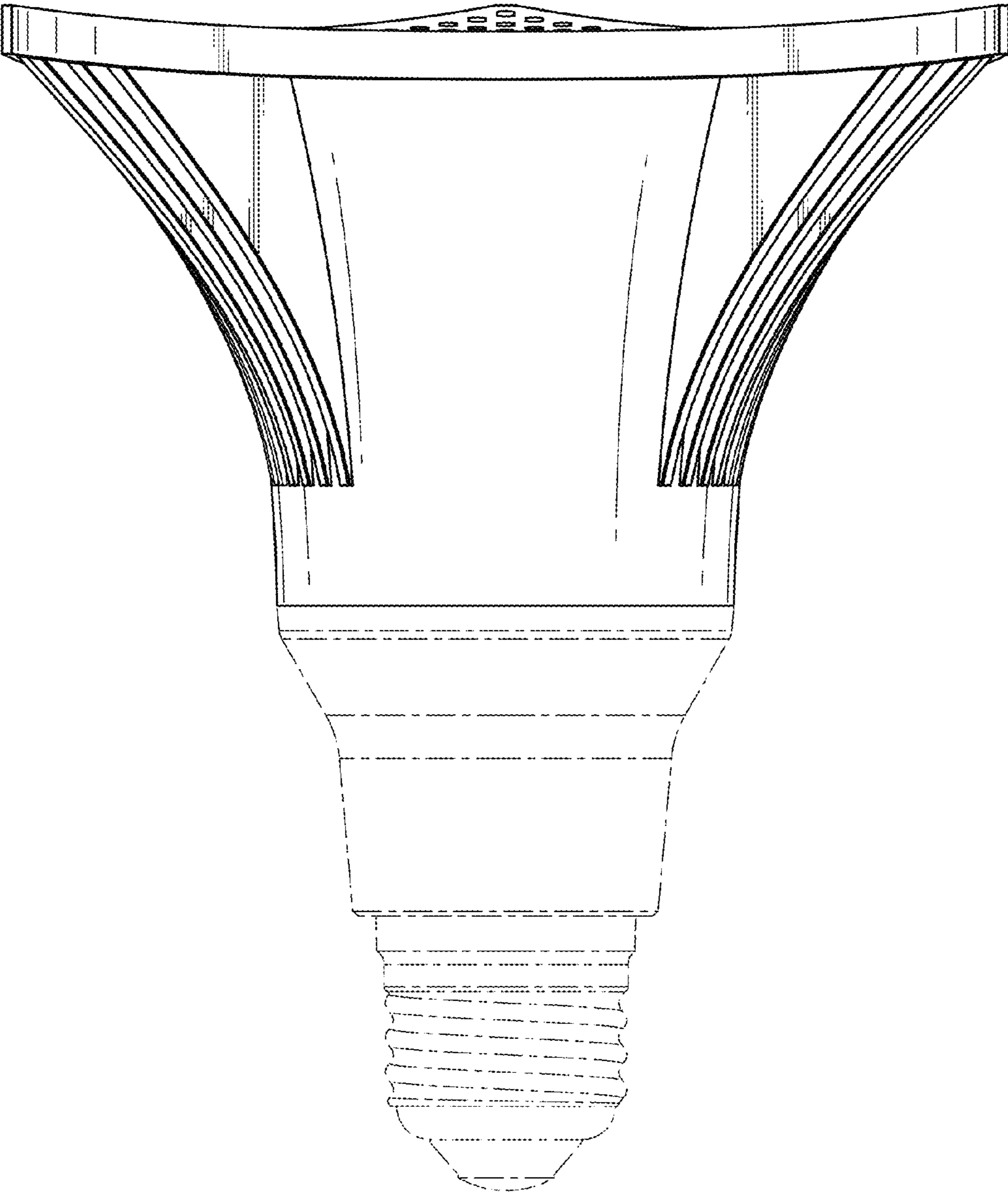


FIG. 3

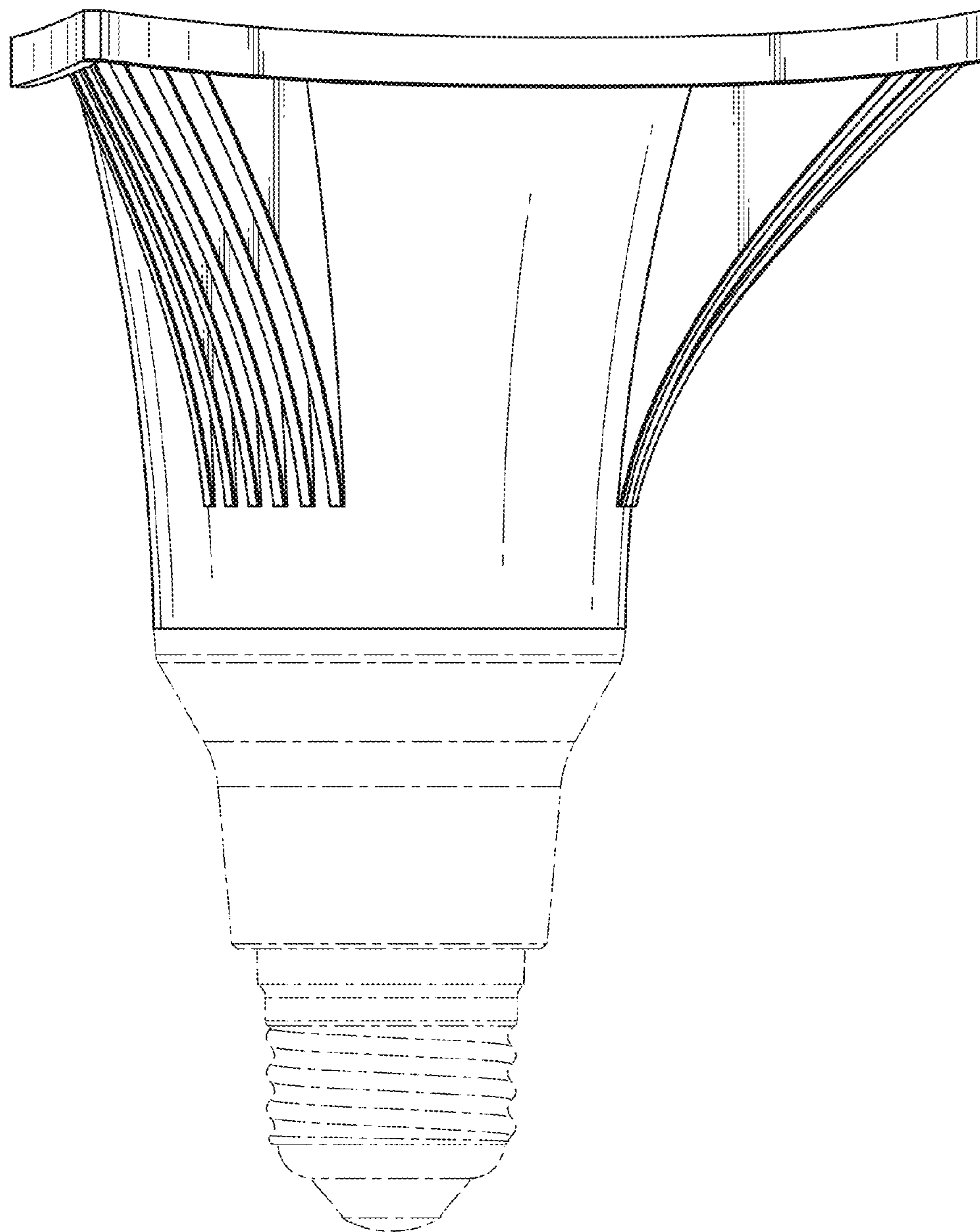


FIG. 4

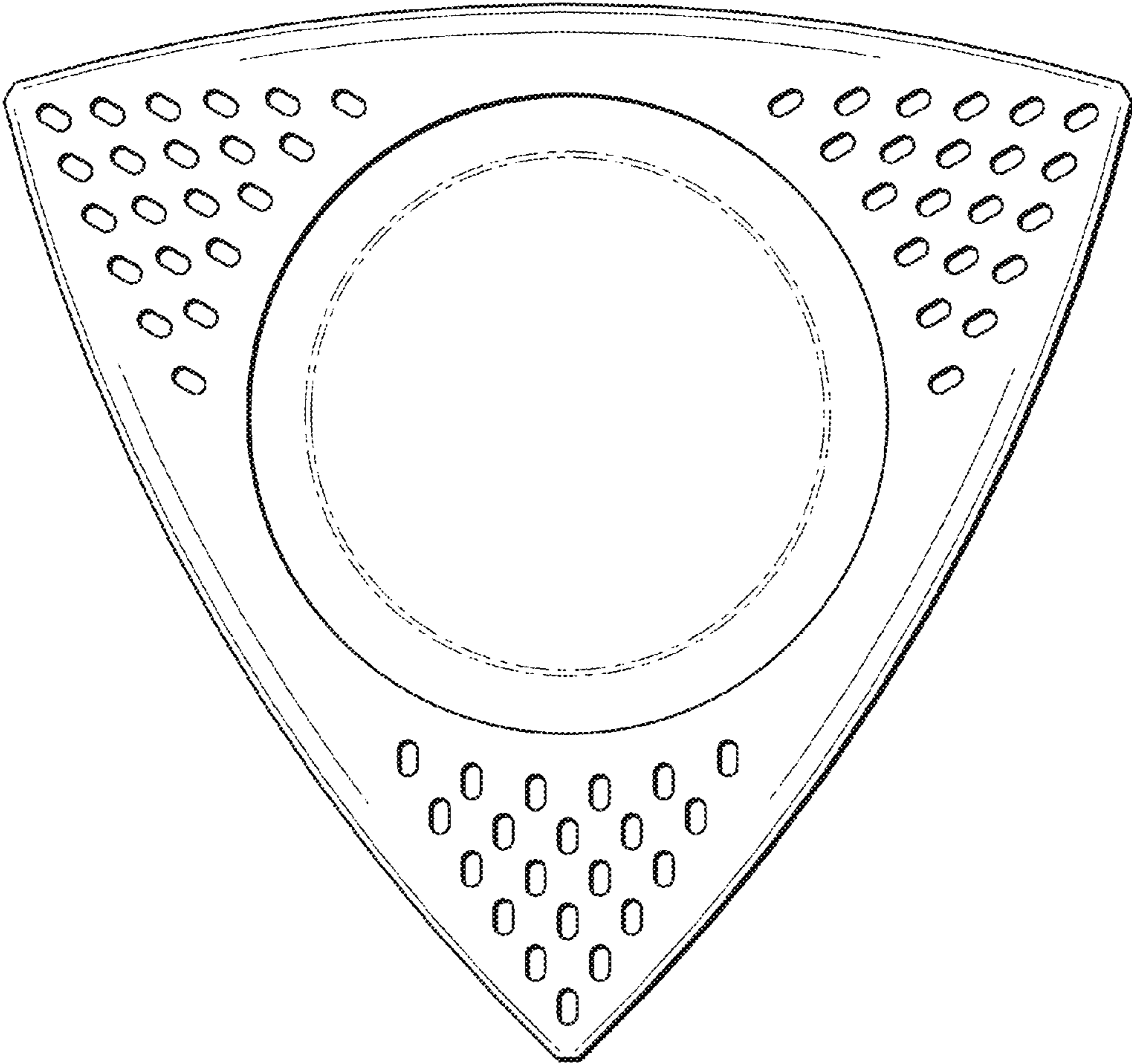


FIG. 5

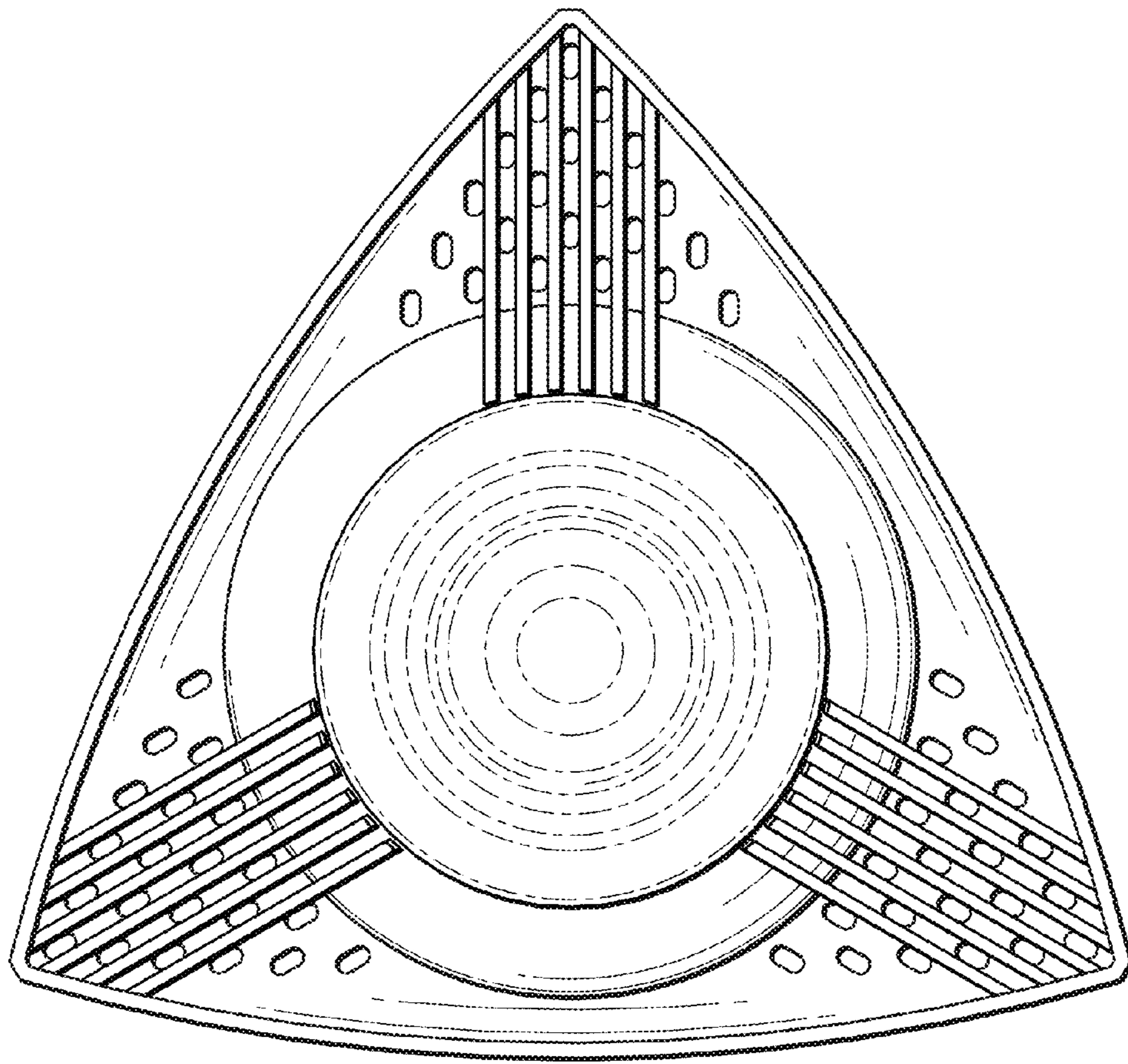


FIG. 6