



US00D697236S

(12) **United States Design Patent**  
**Rioux et al.**

(10) **Patent No.:** **US D697,236 S**  
(45) **Date of Patent:** **\*\* Jan. 7, 2014**

(54) **LAMP**

(75) Inventors: **Phil Rioux**, Brentwood, NH (US);  
**Shiyong Zhang**, Acton, MA (US);  
**Yichong Zeng**, Chelmsford, MA (US)

(73) Assignee: **OSRAM SYLVANIA Inc.**, Danvers,  
MA (US)

(\*\*) Term: **14 Years**

(21) Appl. No.: **29/429,379**

(22) Filed: **Aug. 10, 2012**

(51) **LOC (10) Cl.** ..... **26-04**

(52) **U.S. Cl.**  
USPC ..... **D26/2**

(58) **Field of Classification Search**  
USPC ..... D26/1-4; 313/313, 315, 316, 317, 318,  
313/493; 315/52, 53, 56, 57, 58  
See application file for complete search history.

(56) **References Cited**

**U.S. PATENT DOCUMENTS**

D610,722 S *	2/2010	Bi	.....	D26/2
D626,260 S *	10/2010	Wei	.....	D26/2
D628,319 S *	11/2010	Yoshinobu et al.	.....	D26/2
D629,129 S *	12/2010	Lin et al.	.....	D26/2
D630,347 S *	1/2011	Pei et al.	.....	D26/2
D683,867 S *	6/2013	Rioux et al.	.....	D26/2
D689,631 S *	9/2013	Zhang et al.	.....	D26/2
2010/0133578 A1	6/2010	Pickard et al.		

**FOREIGN PATENT DOCUMENTS**

EP	2256403 A2	12/2010
WO	2011029724 A1	3/2011

**OTHER PUBLICATIONS**

Brochure showing Osram Sylvania Ultra LED Narrow Beam PAR 38 Lamp, one design created by Shiyong Zhang, Yichong Zeng and Phil Rioux, exhibited May 7, 2012 at Las Vegas Light Fair Trade Show, Nevada, USA (1 page).

Applicants' pending Design U.S. Appl. No. 29/395,473, filed Jan. 27, 2012 naming inventors Phil Rioux, Shiyong Zhang and Yichong Zeng.

Applicants' pending Design U.S. Appl. No. 29/395,476, filed Jan. 27, 2012 naming inventors Shiyong Zhang and Yichong Zeng.

Applicants' pending Design U.S. Appl. No. 29/427,553, filed Jul. 19, 2012 naming inventors Phil Rioux, Shiyong Zhang and Yichong Zeng.

\* cited by examiner

*Primary Examiner* — Marcus Jackson

(74) *Attorney, Agent, or Firm* — Edward S. Podszus

(57) **CLAIM**

The ornamental design for a lamp, as shown and described.

**DESCRIPTION**

FIG. 1 is a perspective view of the new design for a lamp as seen from the front, top;

FIG. 2 is a rear perspective view as seen from the rear, side thereof;

FIG. 3 is a side elevational view thereof;

FIG. 4 is a top plan view thereof; and

FIG. 5 is a rear plan view thereof.

FIG. 6 is a perspective view of the second embodiment of the new design for a lamp as seen from the front, top;

FIG. 7 is a rear perspective view of the second embodiment as seen from the rear, side thereof;

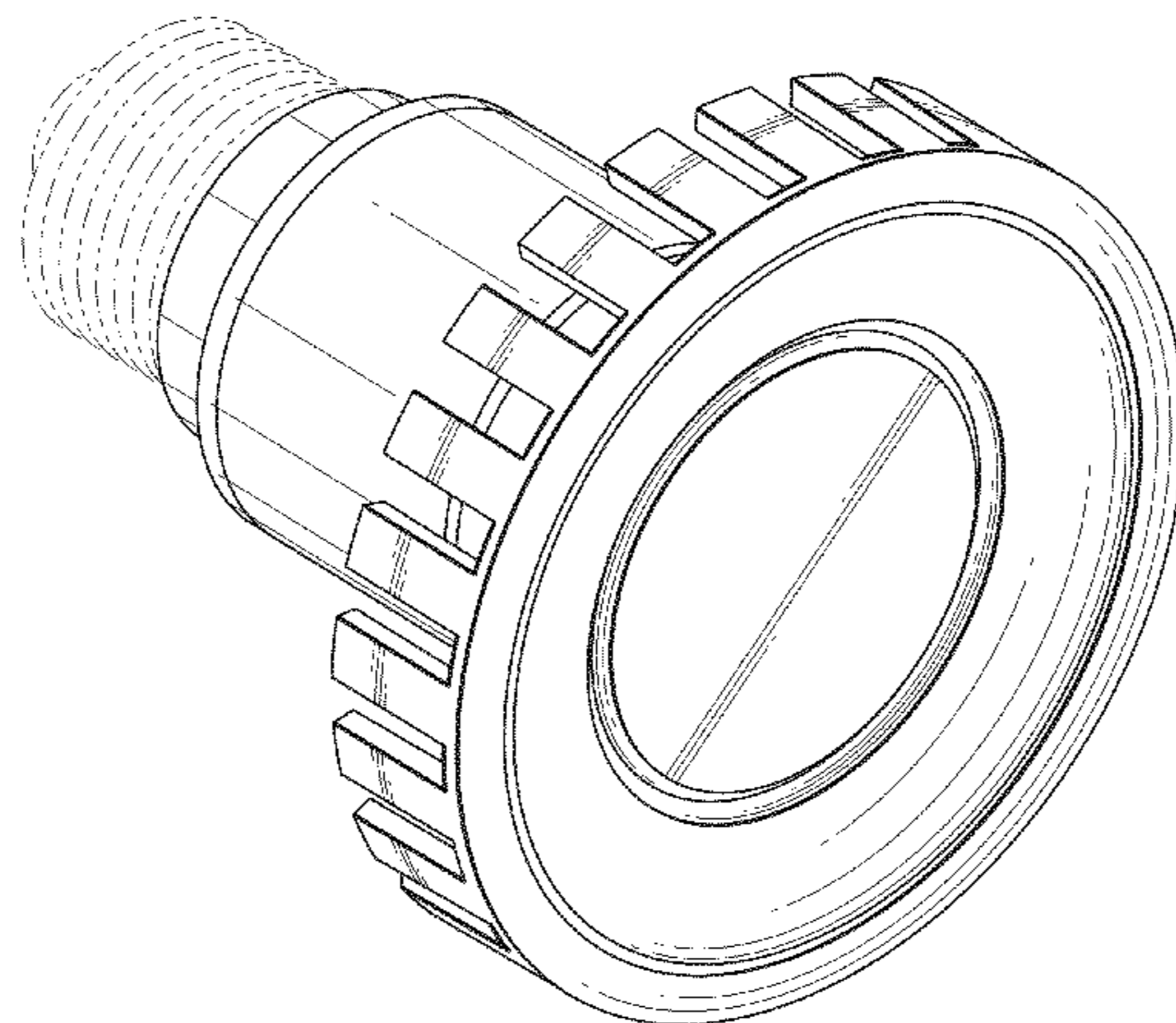
FIG. 8 is a side elevational view of the second embodiment;

FIG. 9 is a top plan view of the second embodiment; and,

FIG. 10 is a rear plan view of the second embodiment.

The broken line disclosure is for environmental purposes only and does not form a part of the claimed design.

**1 Claim, 10 Drawing Sheets**



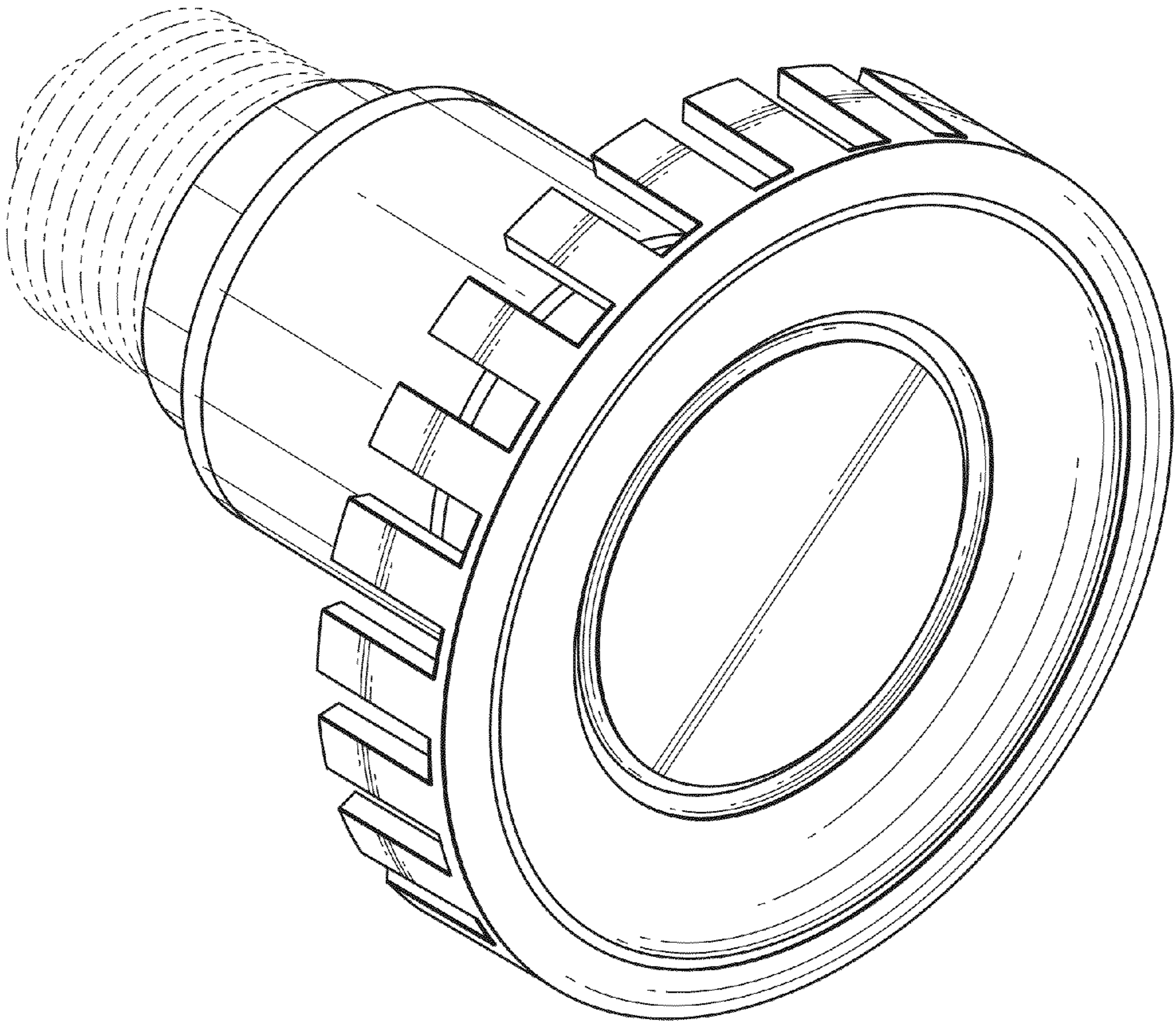


FIG. 1

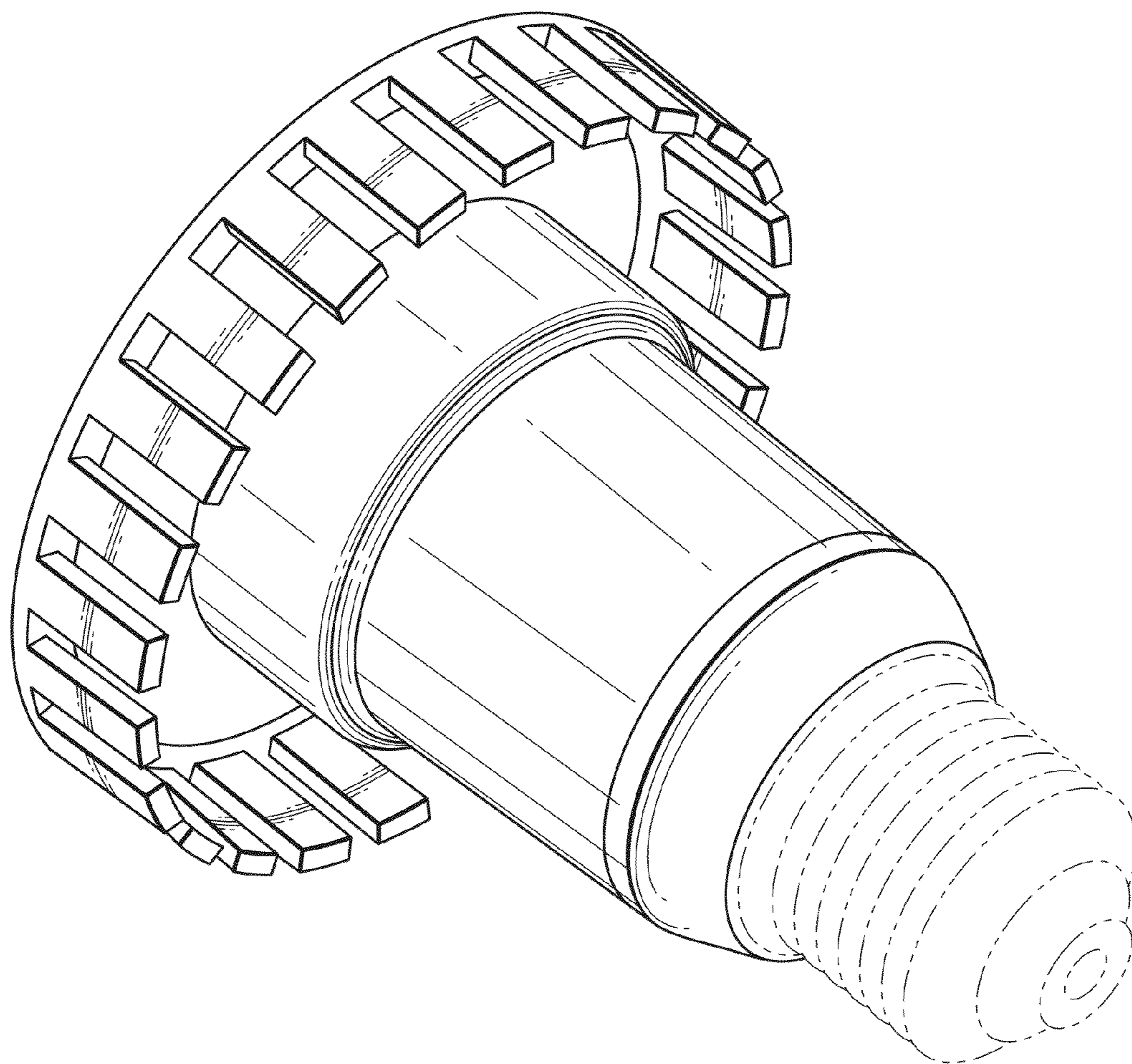


FIG. 2

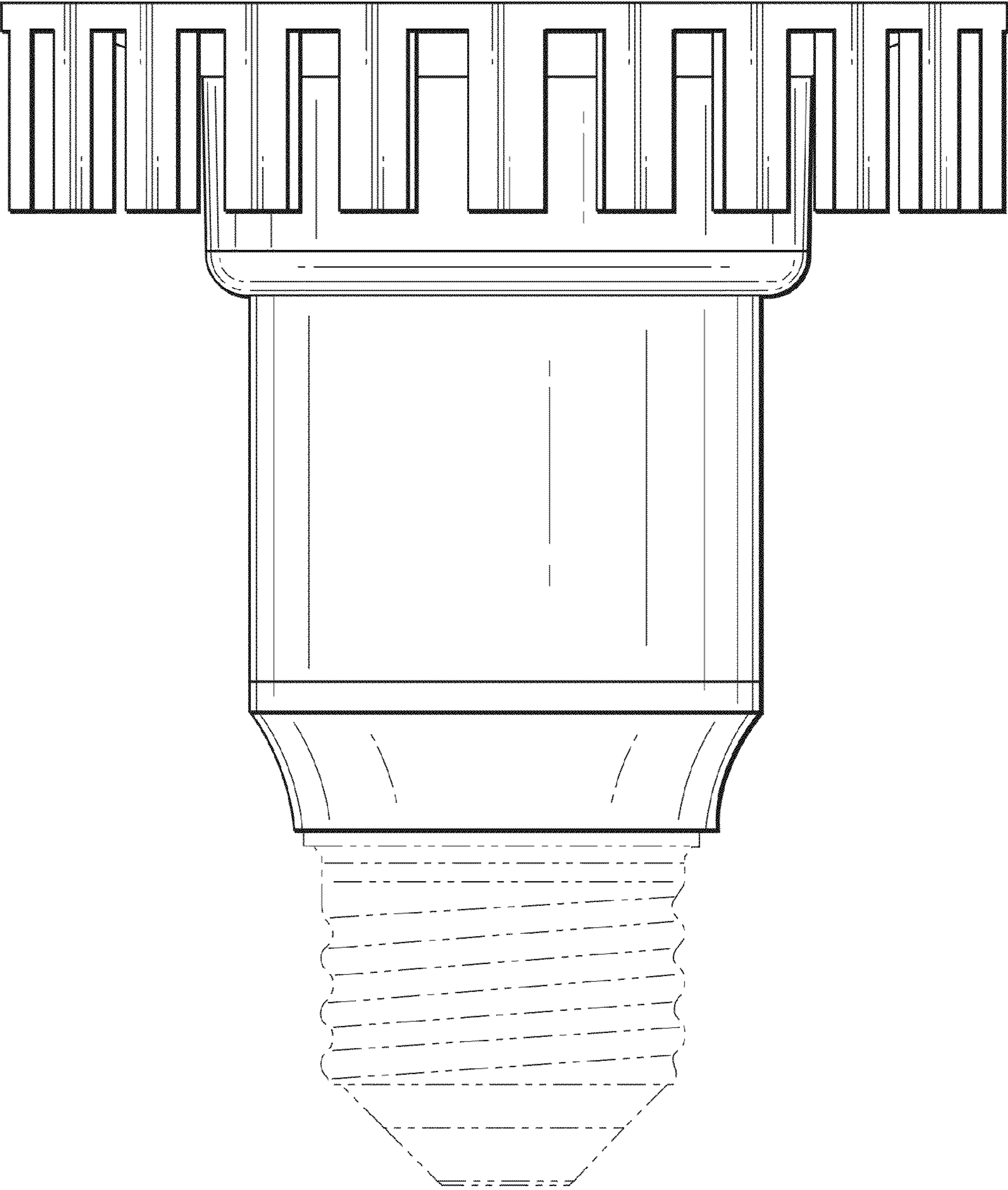


FIG. 3

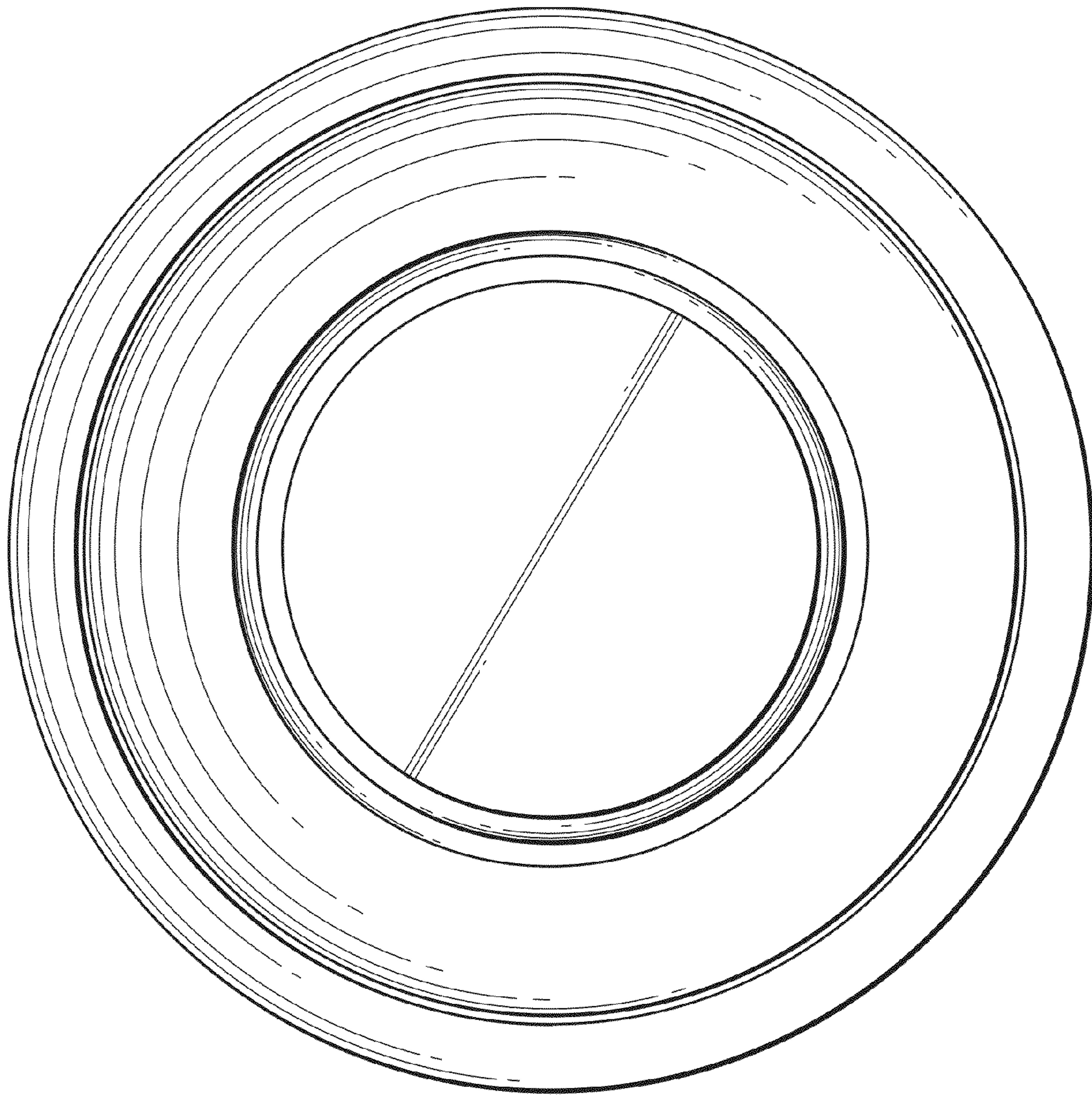


FIG. 4

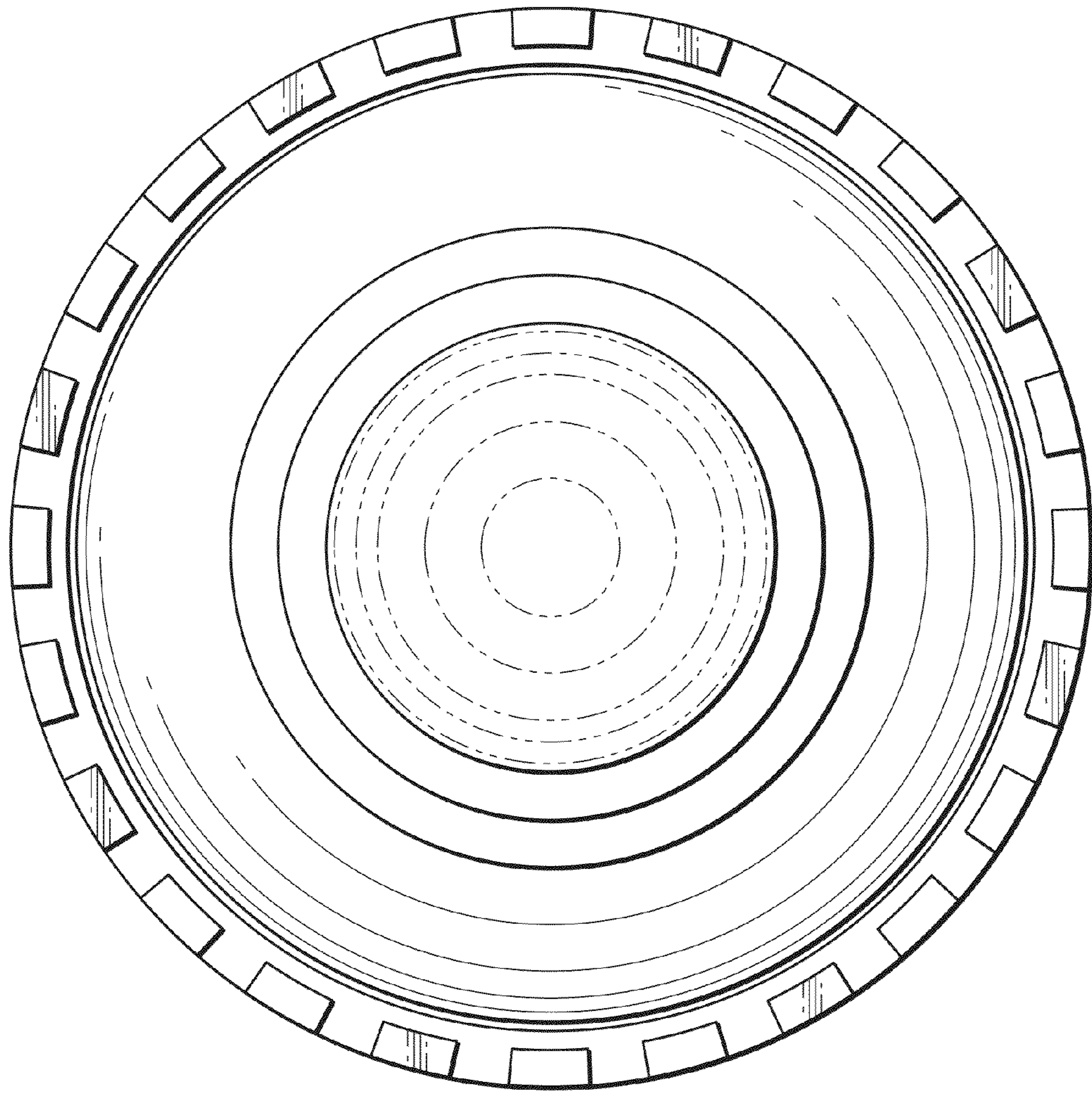


FIG. 5

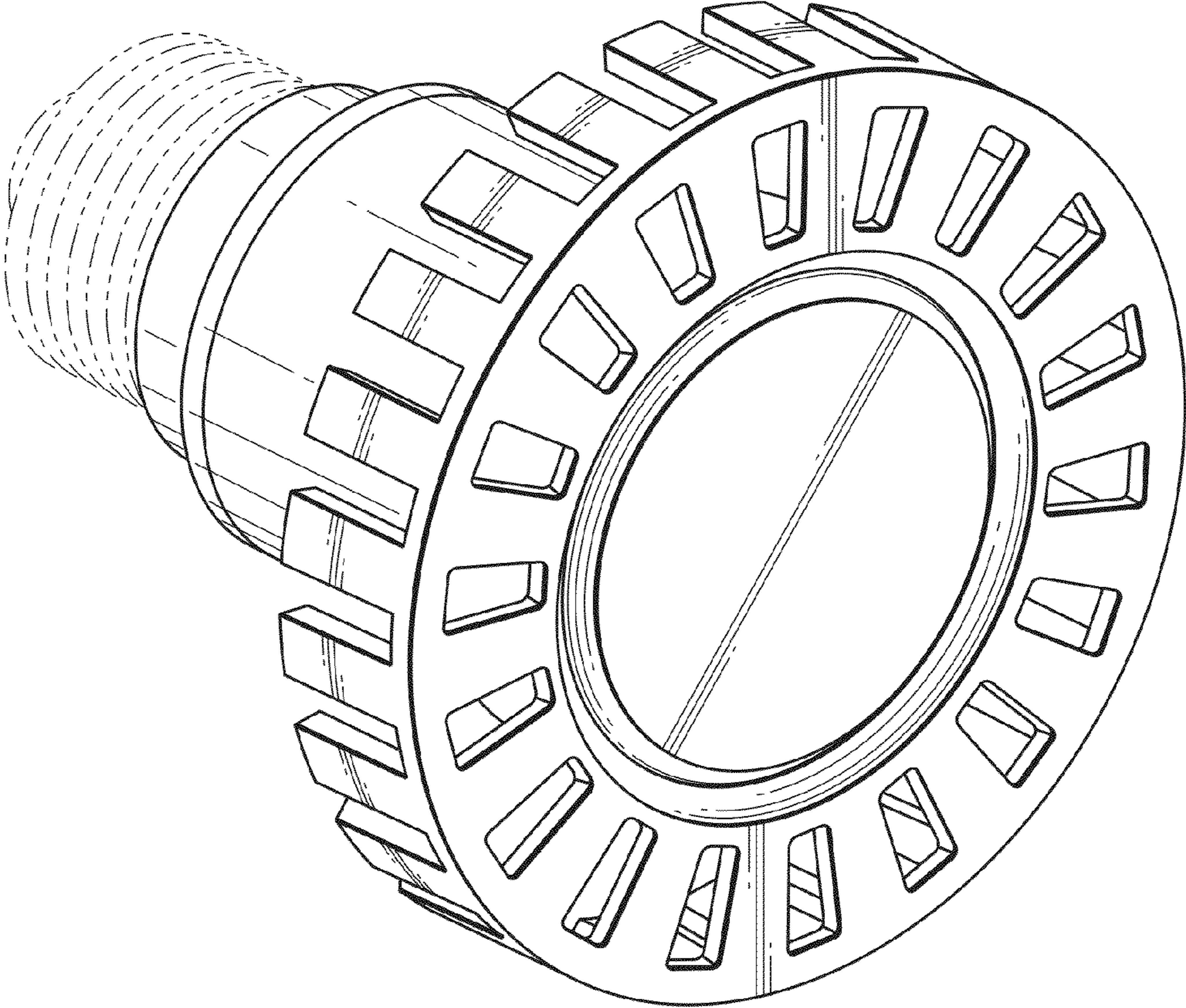


FIG. 6

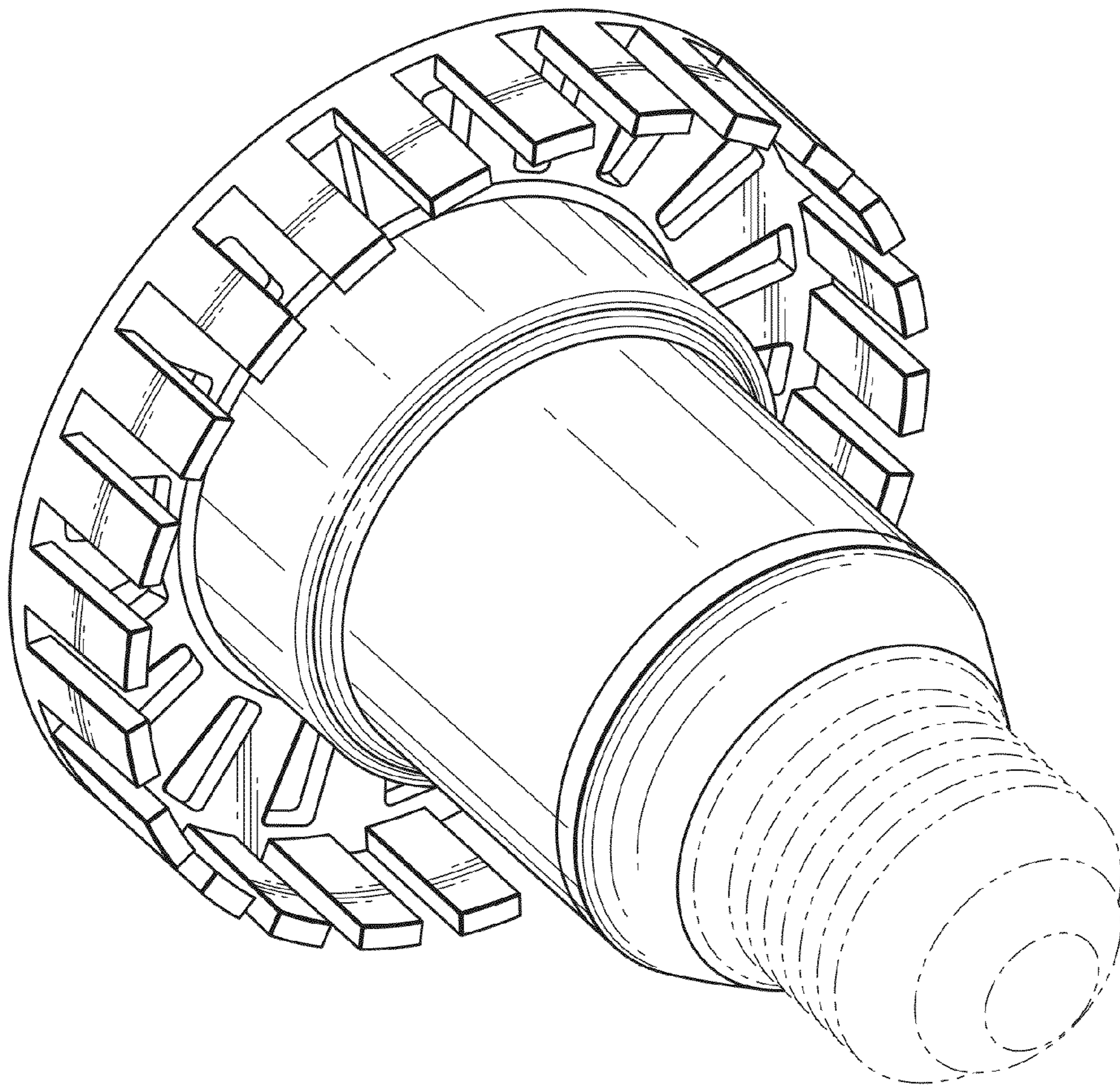


FIG. 7



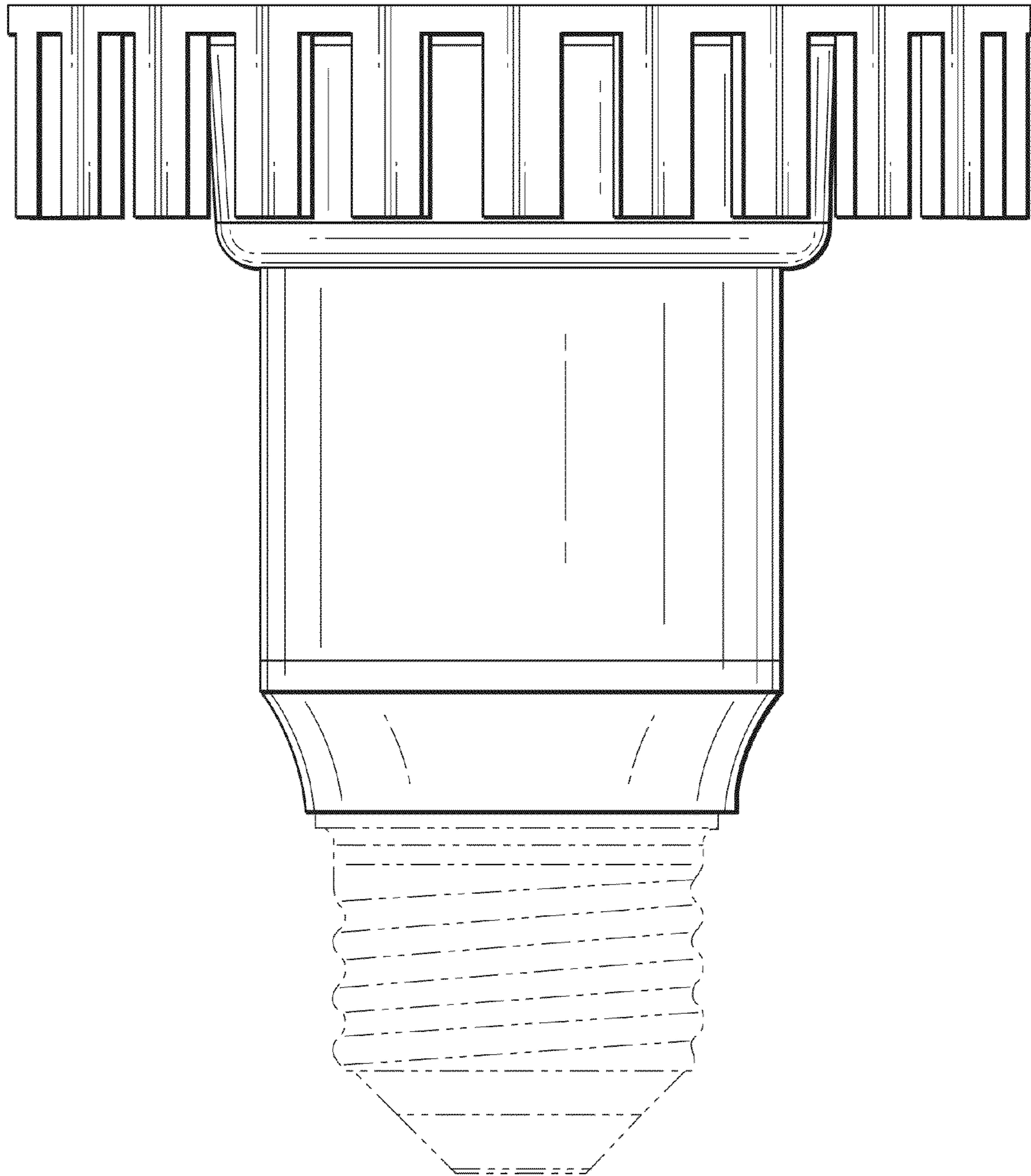


FIG. 8

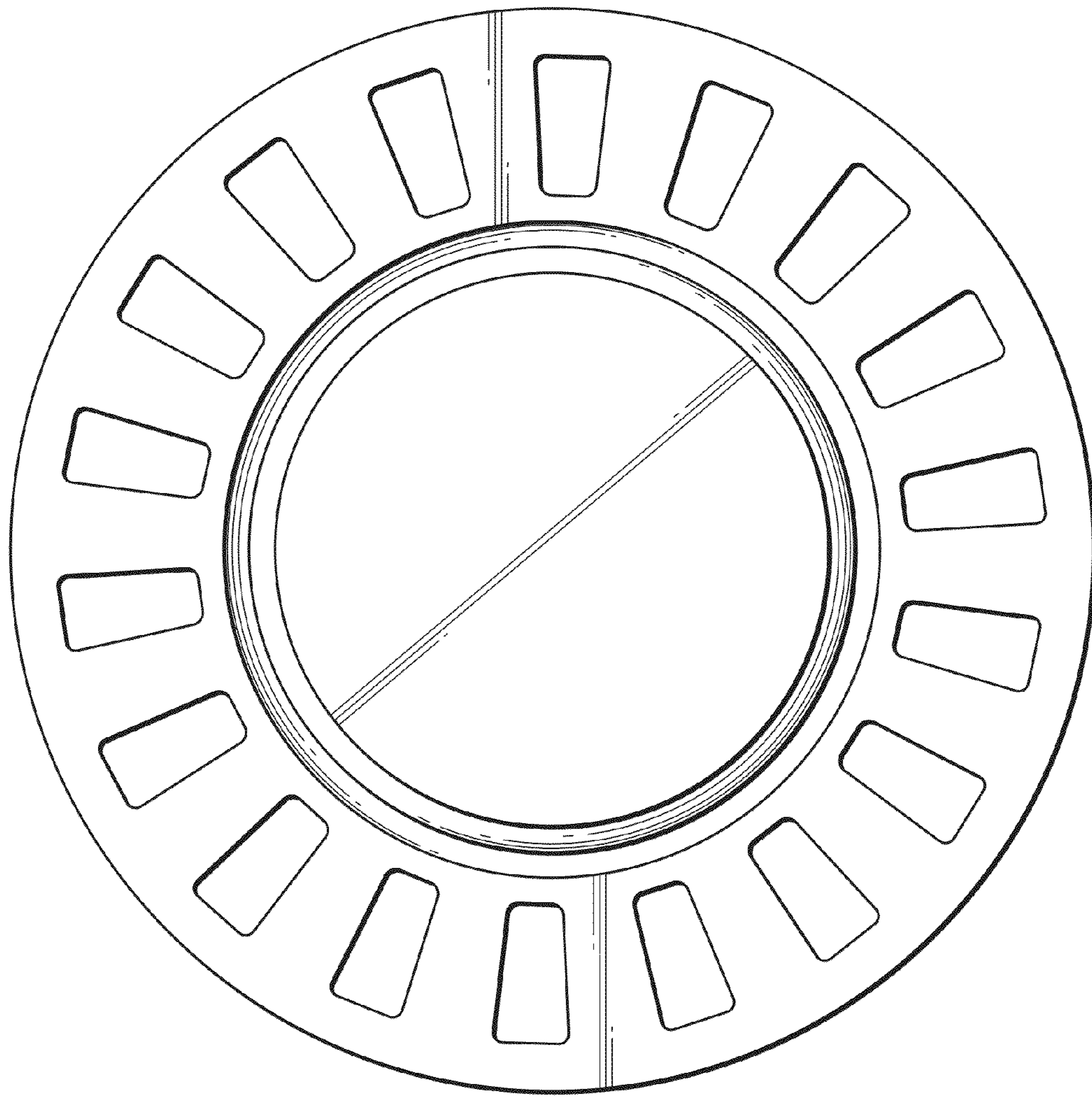


FIG. 9

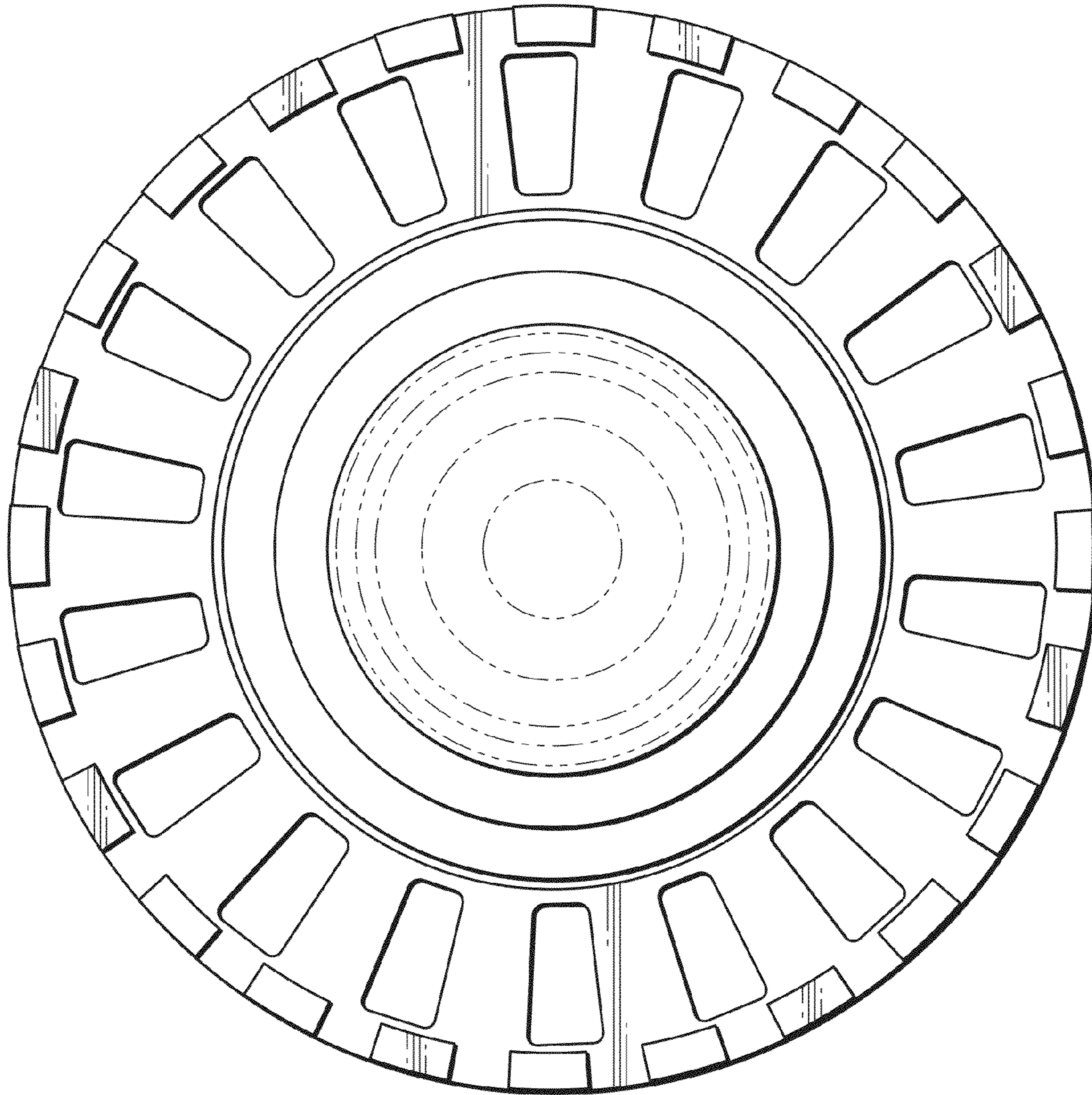


FIG. 10