

US00D697229S

(12) **United States Design Patent**
Johnson et al.

(10) **Patent No.:** **US D697,229 S**

(45) **Date of Patent:** **** Jan. 7, 2014**

(54) **TREE GUARD SIDE PANEL MEMBER**

(56) **References Cited**

(75) Inventors: **Kimberly Johnson**, New York, NY
(US); **Anne Stamper**, New York, NY
(US)

U.S. PATENT DOCUMENTS

4,642,938	A *	2/1987	Georges et al.	47/2
D444,579	S *	7/2001	Emalfarb	D25/164
6,986,222	B1 *	1/2006	Cochran	47/66.1
D522,664	S *	6/2006	Leone et al.	D25/38.1
D620,128	S *	7/2010	Gibbs	D25/38.1

(73) Assignee: **Curb Allure LLC**, New York, NY (US)

(**) Term: **14 Years**

* cited by examiner

(21) Appl. No.: **29/416,298**

Primary Examiner — Doris Clark

(22) Filed: **Mar. 20, 2012**

(74) *Attorney, Agent, or Firm* — Mauriel Kapouytian Woods
LLP; Michael Mauriel

Related U.S. Application Data

(57) **CLAIM**

The ornamental design for a tree guard side panel member, as shown and described.

(63) Continuation-in-part of application No. 13/079,803,
filed on Apr. 4, 2011.

DESCRIPTION

(51) **LOC (10) Cl.** **25-02**

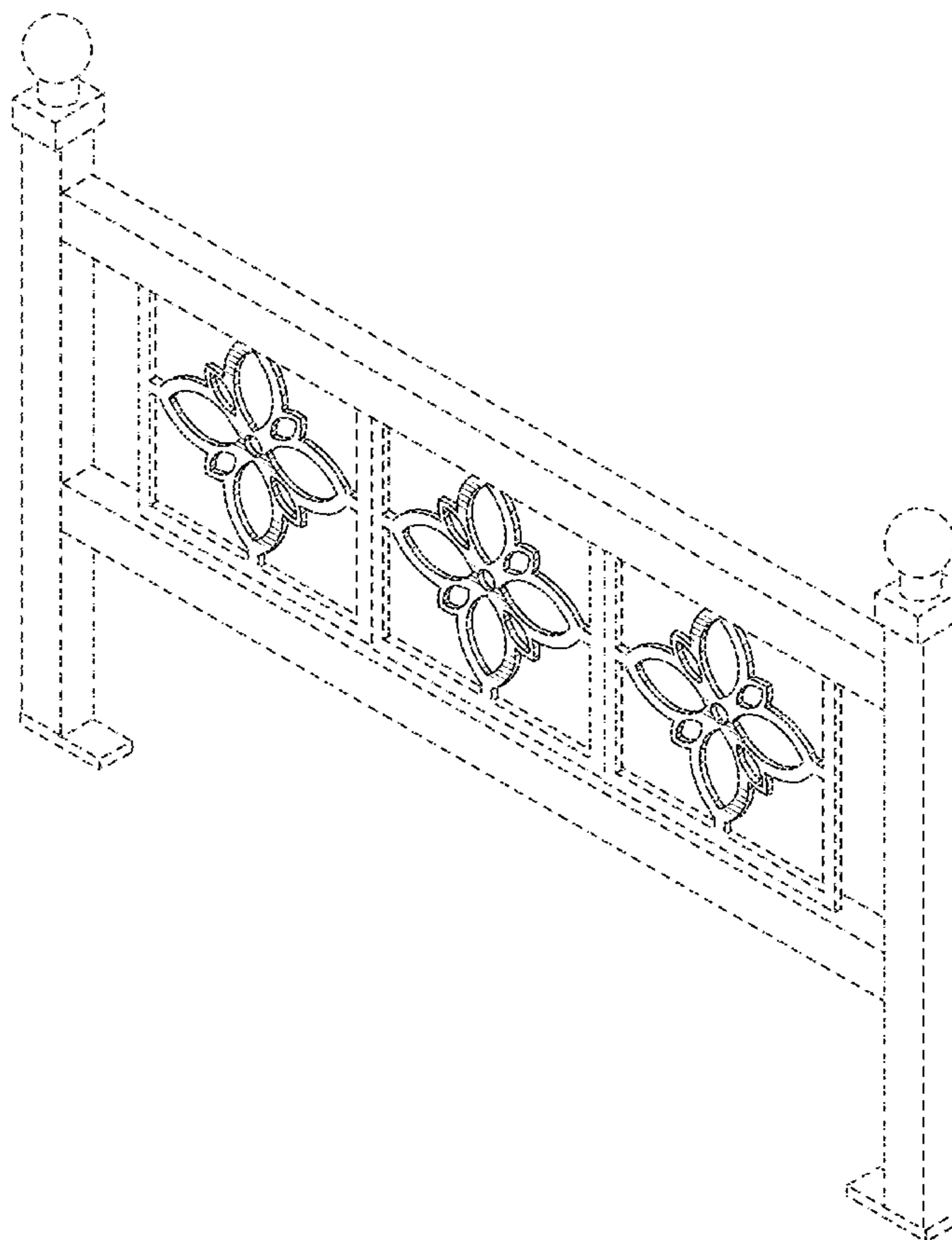
(52) **U.S. Cl.**
USPC **D25/38.1**

(58) **Field of Classification Search**
USPC 47/32.4, 32.7, 33, 47, 66.1; D8/1;
D25/38.1, 164
See application file for complete search history.

FIG. 1 is a perspective view of a insert for a tree guard panel.
FIG. 2 is a top view of FIG. 1.
FIG. 3 is a front view of FIG. 1.
FIG. 4 is a bottom view of FIG. 1; and,
FIG. 5 is a side view of FIG. 1.

A insert for a tree guard panel is used as part of a tree guard or
any type of fence enclosing plants or other vegetation.

1 Claim, 3 Drawing Sheets



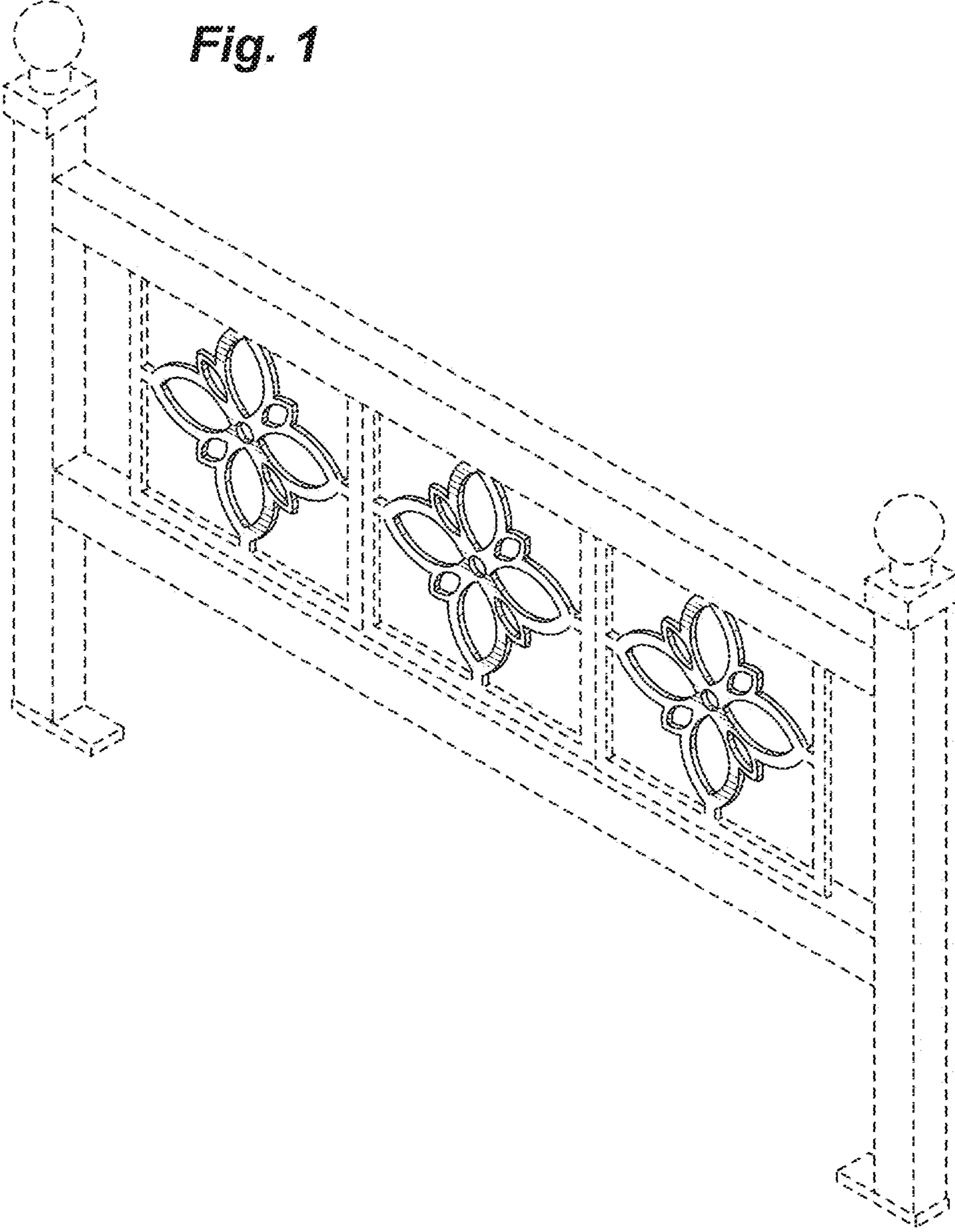


Fig. 2

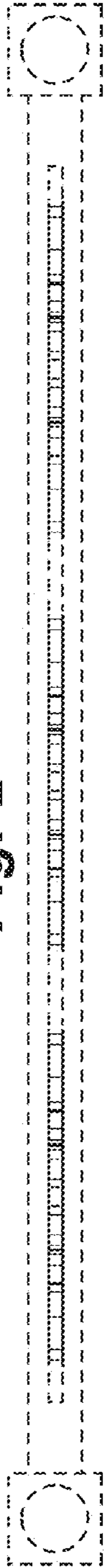


Fig. 3

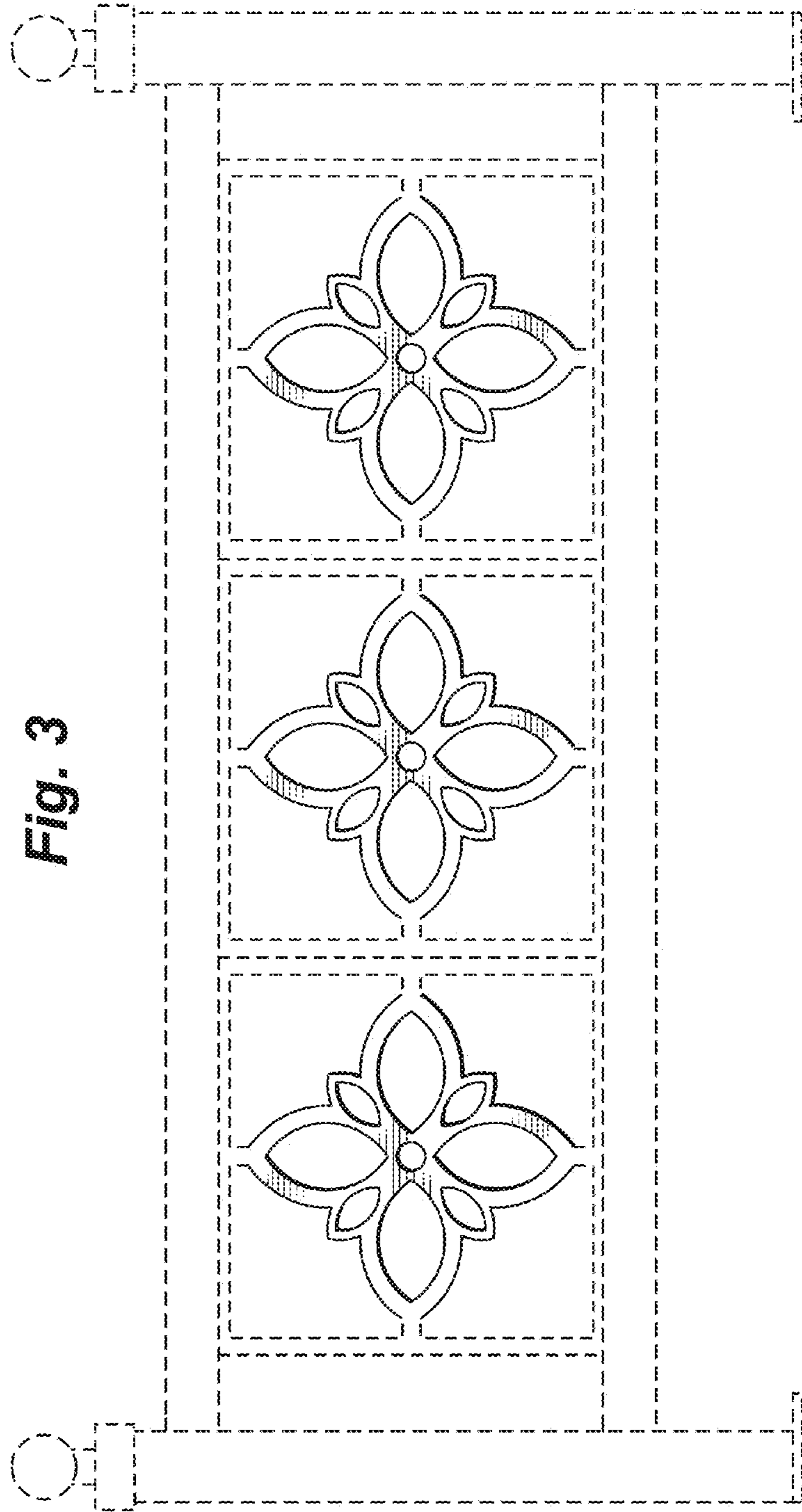


Fig. 4

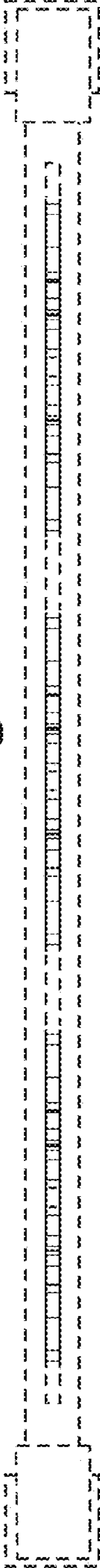


Fig. 5

