



US00D697228S

(12) **United States Design Patent**  
**Haunschild et al.**

(10) **Patent No.:** **US D697,228 S**  
(45) **Date of Patent:** **\*\* Jan. 7, 2014**

(54) **MEDICAL INSTRUMENT HOLDER**

(71) Applicant: **KARL STORZ GmbH & Co. KG**,  
Tuttlingen (DE)

(72) Inventors: **Karl-Heinz Haunschild**, Muehlheim  
(DE); **Jochen Schmidberger**,  
Schoerzingen (DE)

(73) Assignee: **KARL STORZ GmbH & Co. KG**,  
Tuttlingen (DE)

(\*\*) Term: **14 Years**

(21) Appl. No.: **29/454,125**

(22) Filed: **May 7, 2013**

(30) **Foreign Application Priority Data**

Nov. 7, 2012 (EM) ..... 002132084-0011

(51) **LOC (10) Cl.** ..... **24-02**

(52) **U.S. Cl.**  
USPC ..... **D24/227**

(58) **Field of Classification Search**  
USPC ..... D24/216, 217, 222, 224-230;  
D3/203.1; 422/26, 297, 300, 301, 302,  
422/99-104, 63-64; 206/363-370, 438,  
206/443, 563, 446, 756, 570; 220/256.1,  
220/805, 362; 211/69, 71-74

See application file for complete search history.

(56) **References Cited**

**U.S. PATENT DOCUMENTS**

D202,013 S \* 8/1965 Hamilton ..... D24/229  
D202,599 S \* 10/1965 Goyke ..... D24/230  
D213,933 S \* 4/1969 Folkman ..... D24/230  
D218,077 S \* 7/1970 Gabril ..... D24/229  
D225,467 S \* 12/1972 Burke ..... D24/230  
D226,266 S \* 2/1973 Rem ..... D24/230  
D249,362 S \* 9/1978 Forsman et al. .... D24/230  
D276,462 S \* 11/1984 Villarreal ..... D24/229

D282,577 S \* 2/1986 Neumeister ..... D24/226  
D287,760 S \* 1/1987 Disco, Jr. .... D24/229  
D288,234 S \* 2/1987 Blatherwick et al. .... D24/230  
D293,820 S \* 1/1988 Guth et al. .... D24/230  
5,174,453 A \* 12/1992 Stoeffler ..... 206/570  
D343,687 S \* 1/1994 Houghton et al. .... D24/227  
D376,652 S \* 12/1996 Hunt et al. .... D24/227  
D380,272 S \* 6/1997 Partika et al. .... D24/227  
5,762,202 A \* 6/1998 Atad ..... 206/756  
D402,767 S \* 12/1998 Davis et al. .... D24/229  
5,947,284 A \* 9/1999 Foster ..... 206/364  
D437,941 S \* 2/2001 Frattini ..... D24/229  
D442,697 S \* 5/2001 Hajianpour ..... D24/229  
D445,198 S \* 7/2001 Frattini ..... D24/227  
D471,641 S \* 3/2003 McMichael et al. .... D24/230

(Continued)

*Primary Examiner* — T. Chase Nelson

*Assistant Examiner* — Mark Cavanna

(74) *Attorney, Agent, or Firm* — Muncy, Geissler, Olds &  
Lowe, PLLC

(57) **CLAIM**

The ornamental design for a medical instrument holder, as shown and described.

**DESCRIPTION**

FIG. 1 is a left side perspective view of a medical instrument holder according to the present invention.

FIG. 2 is a right side perspective view of the medical instrument holder of FIG. 1.

FIG. 3 is a front perspective view of the medical instrument holder of FIG. 1.

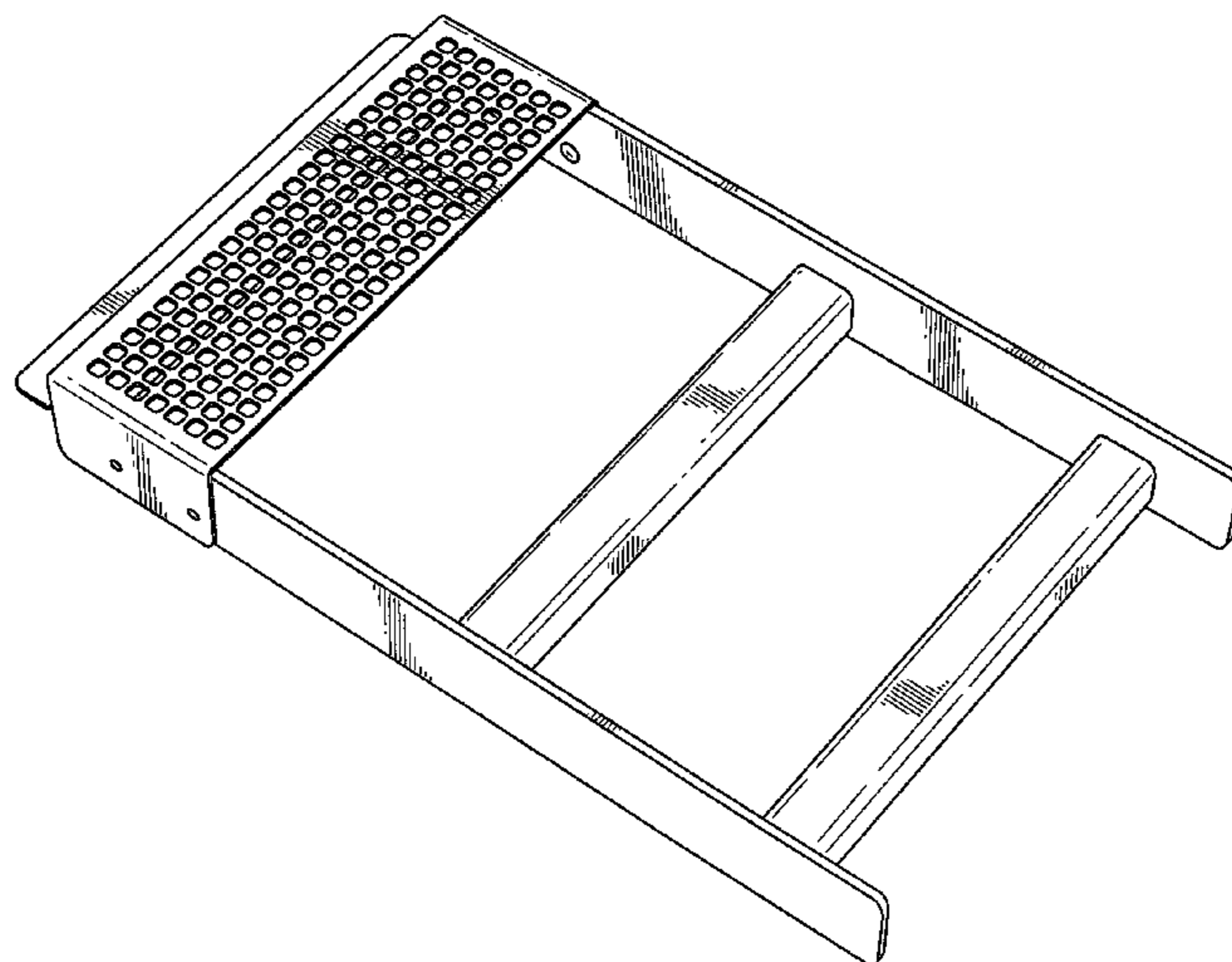
FIG. 4 is a rear perspective view of the medical instrument holder of FIG. 1.

FIG. 5 is a top plan view of the medical instrument holder of FIG. 1.

FIG. 6 is a bottom plan view of the medical instrument holder of FIG. 1; and,

FIG. 7 is a three-quarter perspective view of the medical instrument holder of FIG. 1.

**1 Claim, 7 Drawing Sheets**



# US D697,228 S

Page 2

---

(56)

## References Cited

### U.S. PATENT DOCUMENTS

D489,973 S \* 5/2004 Root et al. .... D24/229  
6,783,004 B1 \* 8/2004 Rinner ..... 206/368  
D495,807 S \* 9/2004 Agbodoe et al. .... D24/229

D565,743 S \* 4/2008 Phillips et al. .... D24/229  
D571,478 S \* 6/2008 Horacek ..... D24/217  
D647,628 S \* 10/2011 Helfteren ..... D24/229

\* cited by examiner

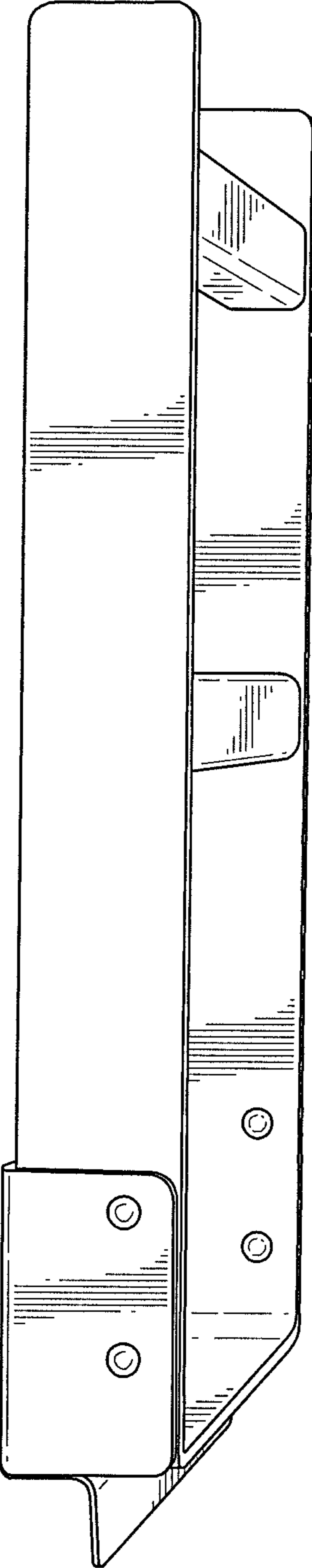


FIG.1

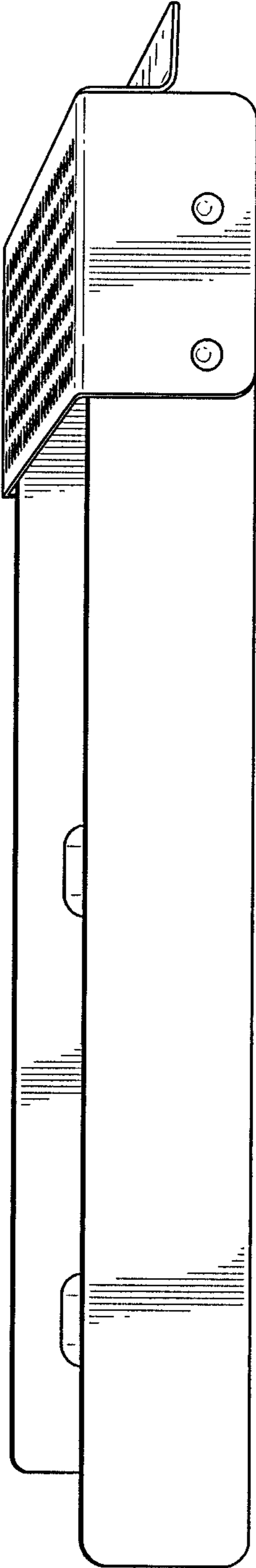


FIG.2

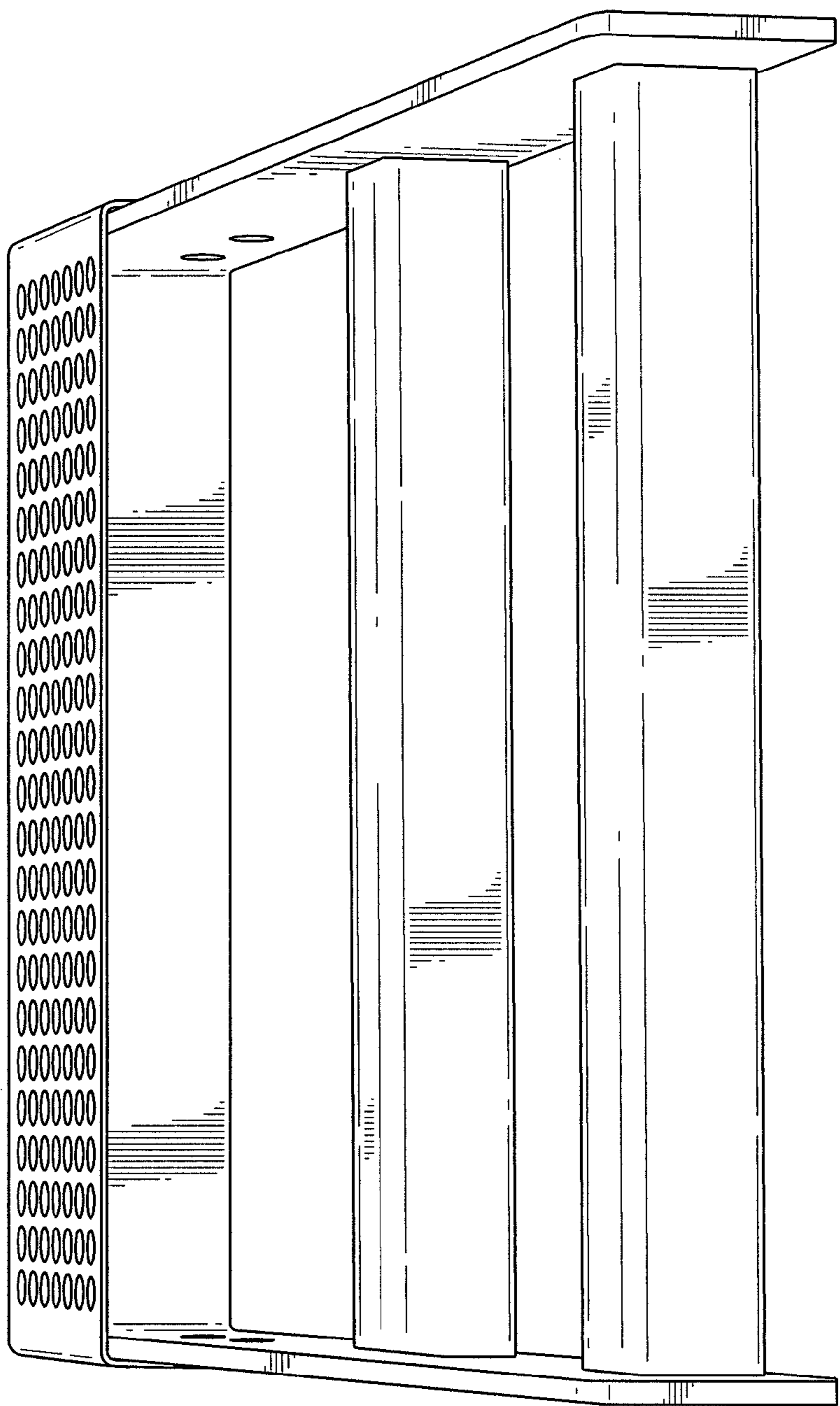


FIG.3

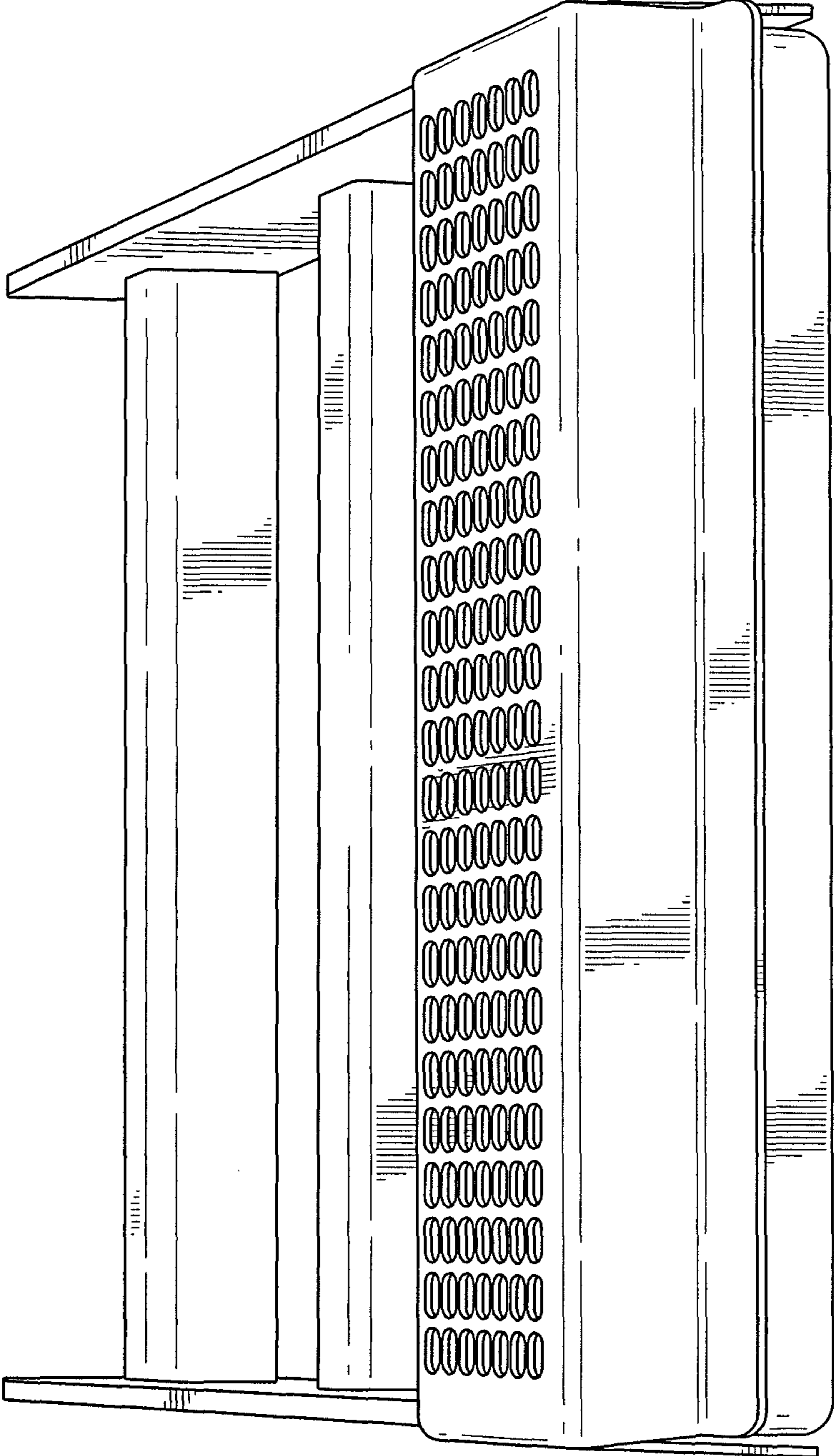


FIG.4

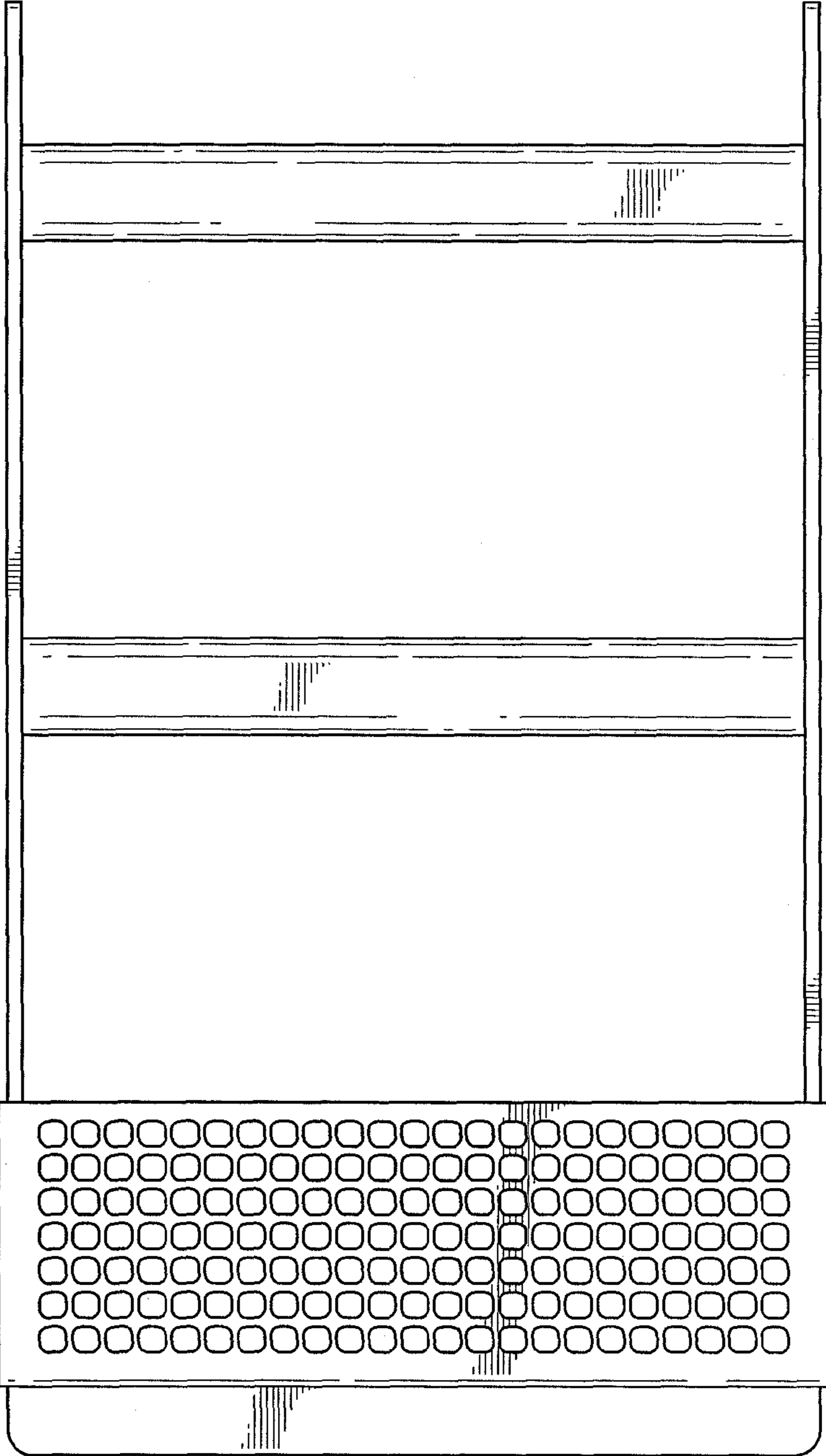


FIG.5

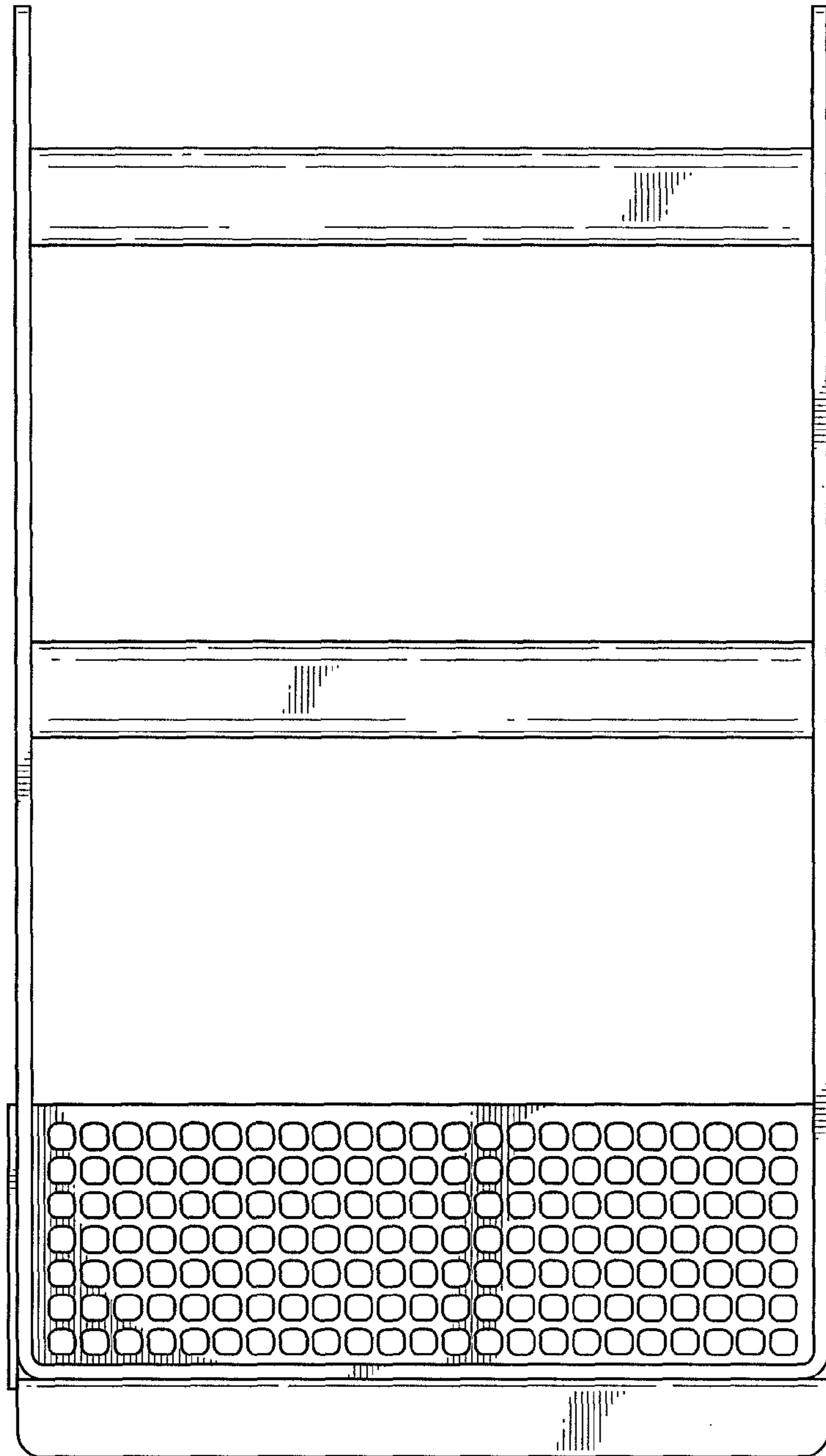


FIG.6



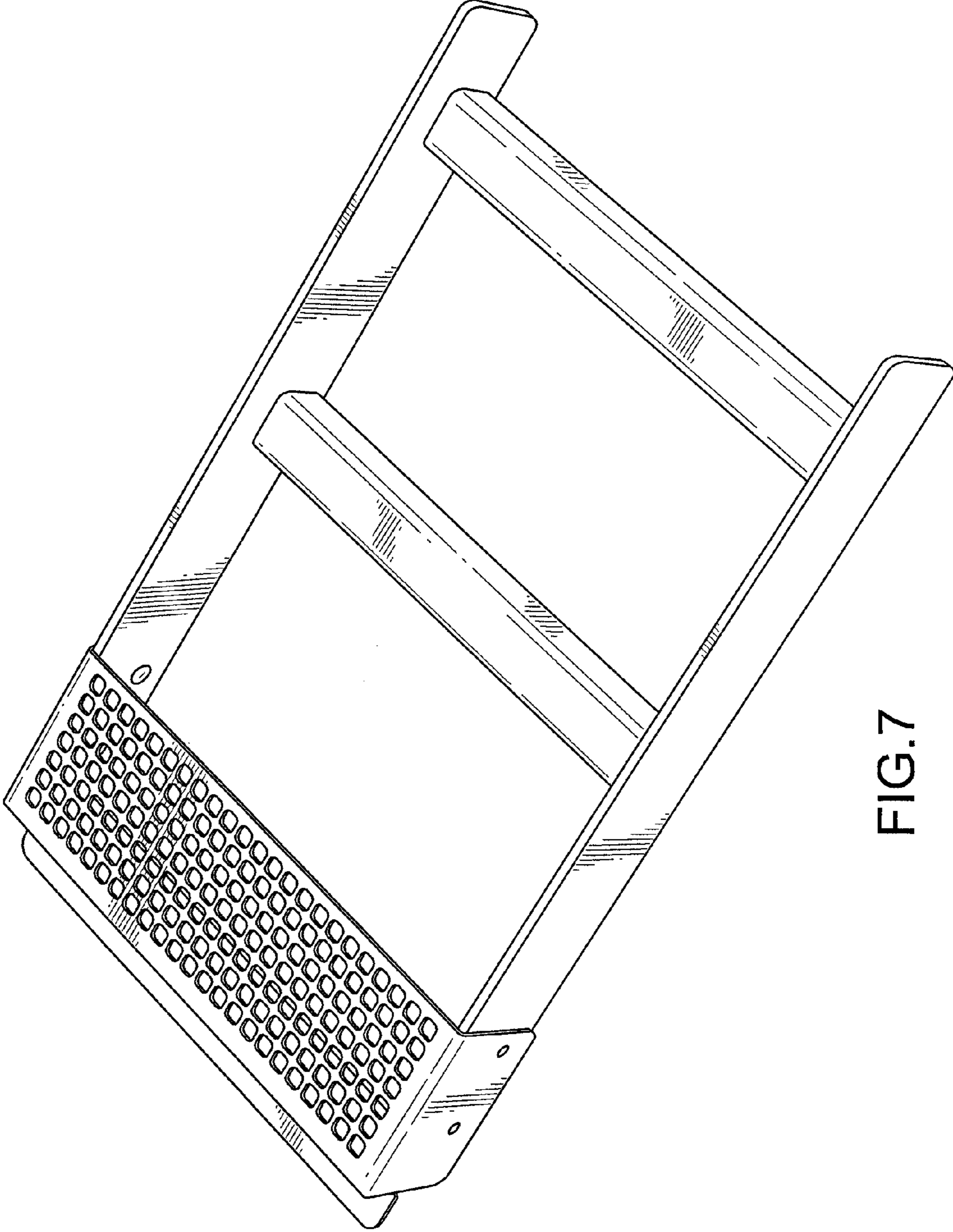


FIG. 7