



US00D697226S

(12) **United States Design Patent**
Davis et al.

(10) **Patent No.:** **US D697,226 S**
(45) **Date of Patent:** **** Jan. 7, 2014**

(54) **SAMPLE CASSETTE FOR A DIAGNOSTIC INSTRUMENT**

(75) Inventors: **Charles Quentin Davis**, Frederick, MD (US); **Michael D. Nelson**, Seattle, WA (US); **Joseph N. K. Ullman**, Seattle, WA (US); **Nadine Wohlstadter**, Madison, VA (US); **Richard Cook**, Derwood, MD (US)

(73) Assignee: **Wellstat Diagnostics, LLC**, Gaithersburg, MD (US)

(**) Term: **14 Years**

(21) Appl. No.: **29/420,961**

(22) Filed: **May 15, 2012**

(51) **LOC (10) Cl.** **24-01**

(52) **U.S. Cl.**
USPC **D24/225**

(58) **Field of Classification Search**
USPC D24/216, 223, 224, 225, 226, 227, 231, D24/232, 233, 107, 169, 186; D10/81; 422/62-65, 67, 500, 547, 551, 552, 422/554; 436/43, 45, 47; 435/287.1, 287.3, 435/288.2, 288.4, 288.5, 305.1, 305.2; 73/64.56, 864.91, 865.9

See application file for complete search history.

(56) **References Cited**

U.S. PATENT DOCUMENTS

D269,548 S * 6/1983 Sarrine et al. D24/232
D292,433 S * 10/1987 Griffin D24/224

4,929,426 A * 5/1990 Bodai et al. 422/63
5,470,758 A * 11/1995 Hayes 436/45
D395,708 S * 6/1998 Shartle et al. D24/224
D438,633 S * 3/2001 Miller D24/224
7,771,889 B2 * 8/2010 Cho et al. 429/513
7,815,863 B2 * 10/2010 Kagan et al. 422/568
2008/0153096 A1 * 6/2008 Witty et al. 435/288.7
2010/0120083 A1 * 5/2010 Ritzen et al. 435/30
2011/0312535 A1 * 12/2011 Gohring et al. 506/12

* cited by examiner

Primary Examiner — Anhdao Doan

(74) *Attorney, Agent, or Firm* — Finnegan, Henderson, Farabow, Garrett & Dunner, LLP

(57) **CLAIM**

The ornamental design for a sample cassette for a diagnostic instrument, as shown and described.

DESCRIPTION

FIG. 1 is a right rear perspective view of a sample cassette for a diagnostic instrument showing our new design, where the top portion is optically opaque and the bottom portion is optically transparent;

FIG. 2 is a front right perspective view thereof;

FIG. 3 is a top plan view thereof;

FIG. 4 is a left side view thereof;

FIG. 5 is a right side view thereof;

FIG. 6 is a rear view thereof;

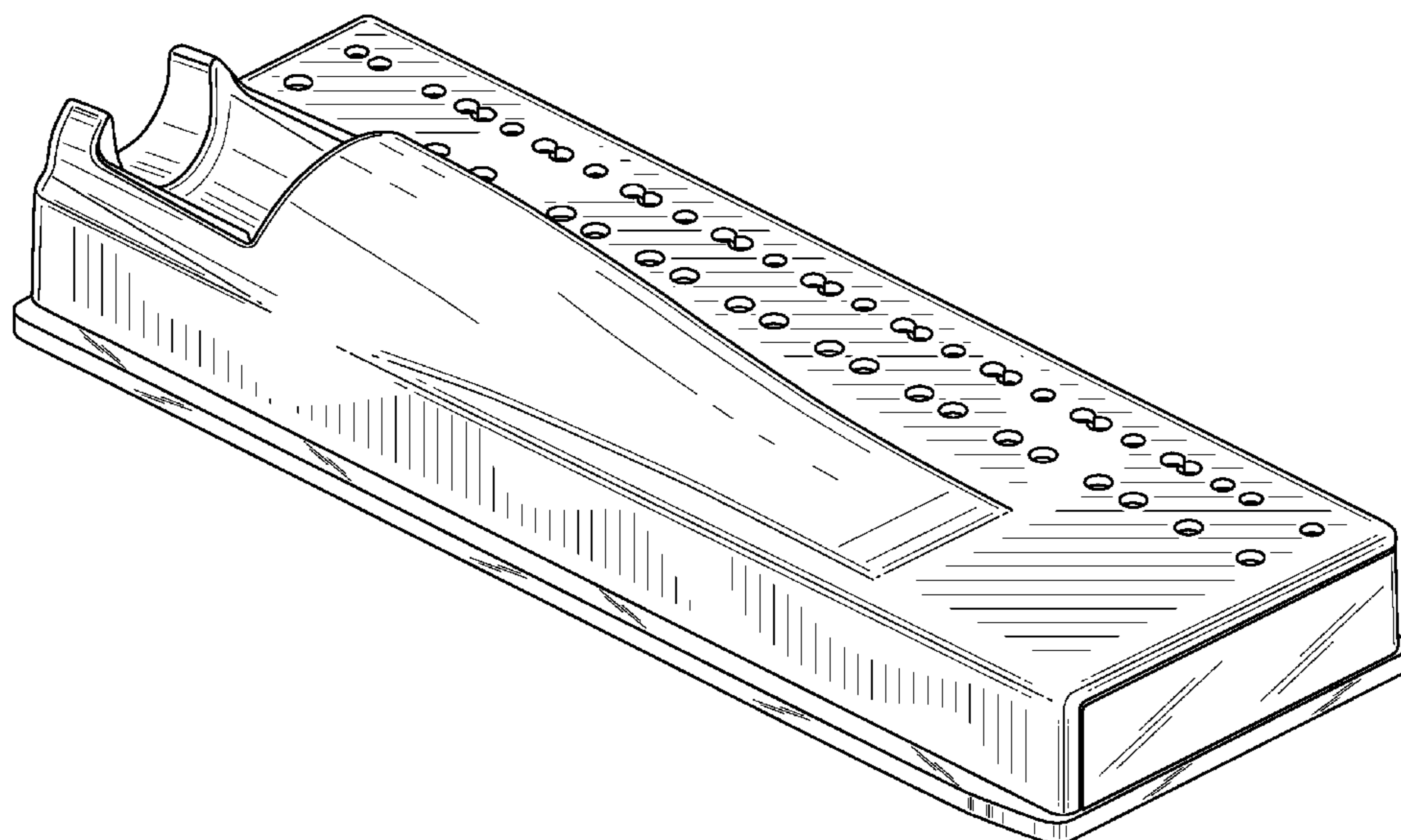
FIG. 7 is a front view thereof;

FIG. 8 is a left rear perspective view thereof; and,

FIG. 9 is a left front perspective view thereof.

The bottom view is plain and unornamented. The broken lines in FIG. 3 show environmental structure and elements depicted in broken lines form no part of the claimed design.

1 Claim, 7 Drawing Sheets



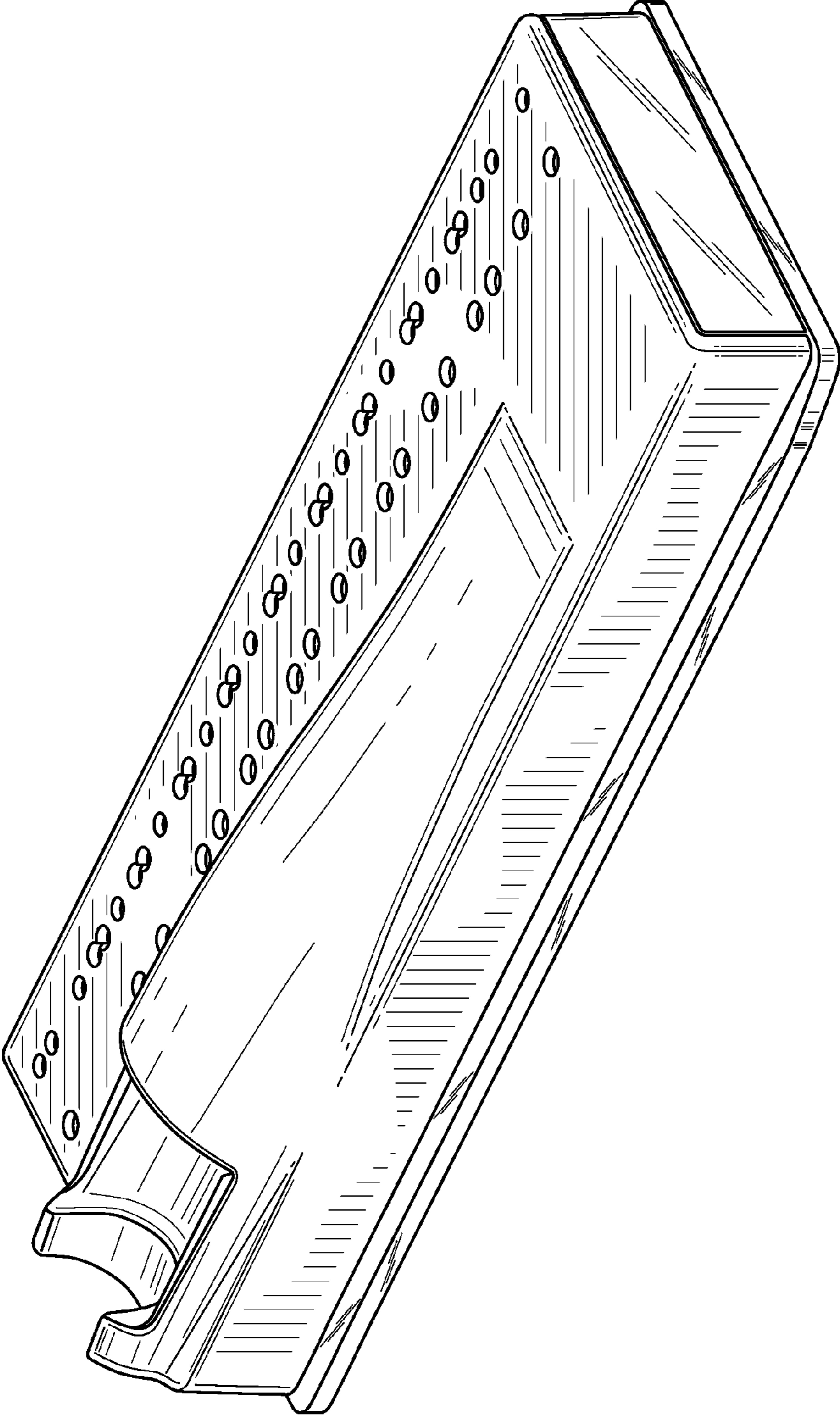


FIG. 1

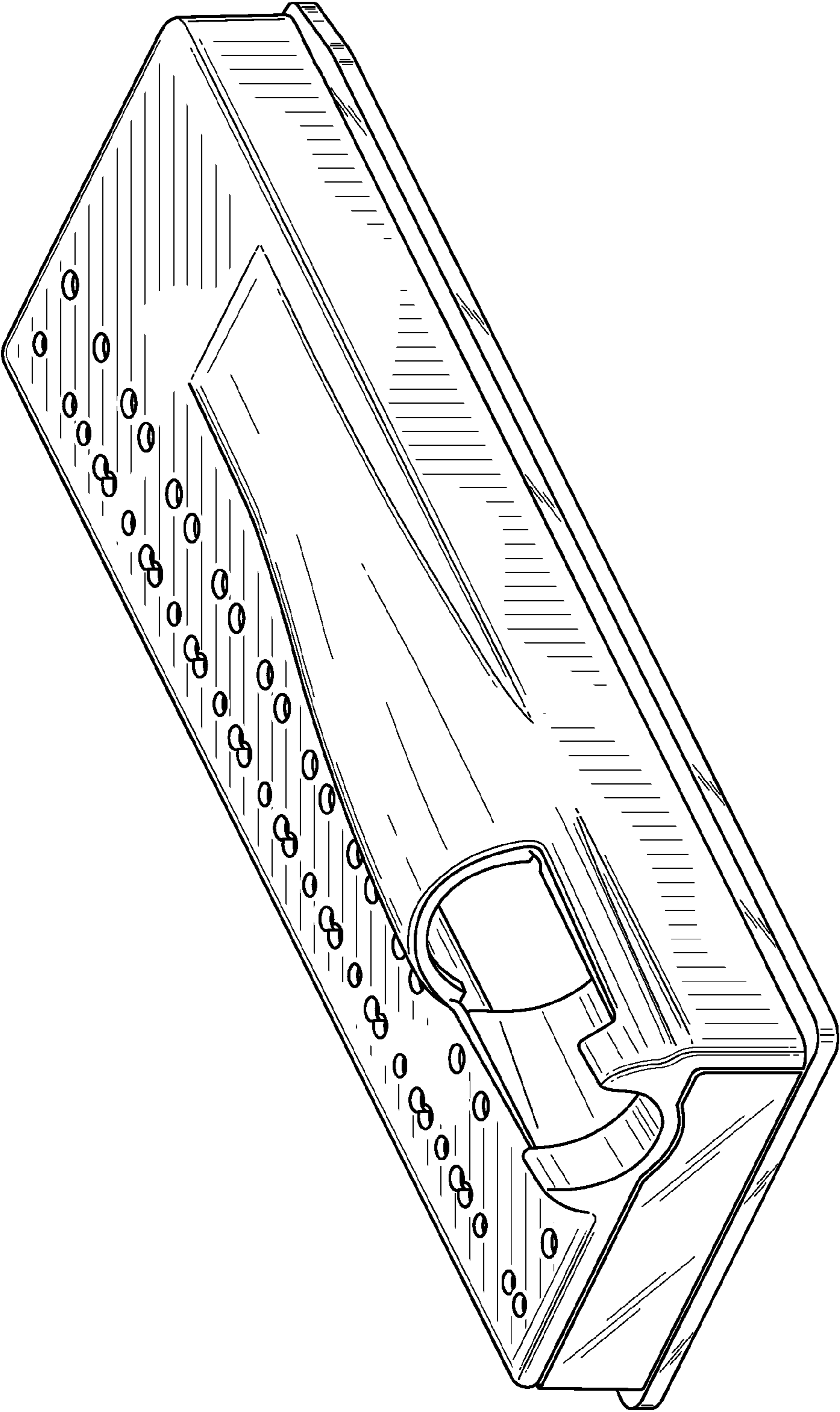


FIG. 2

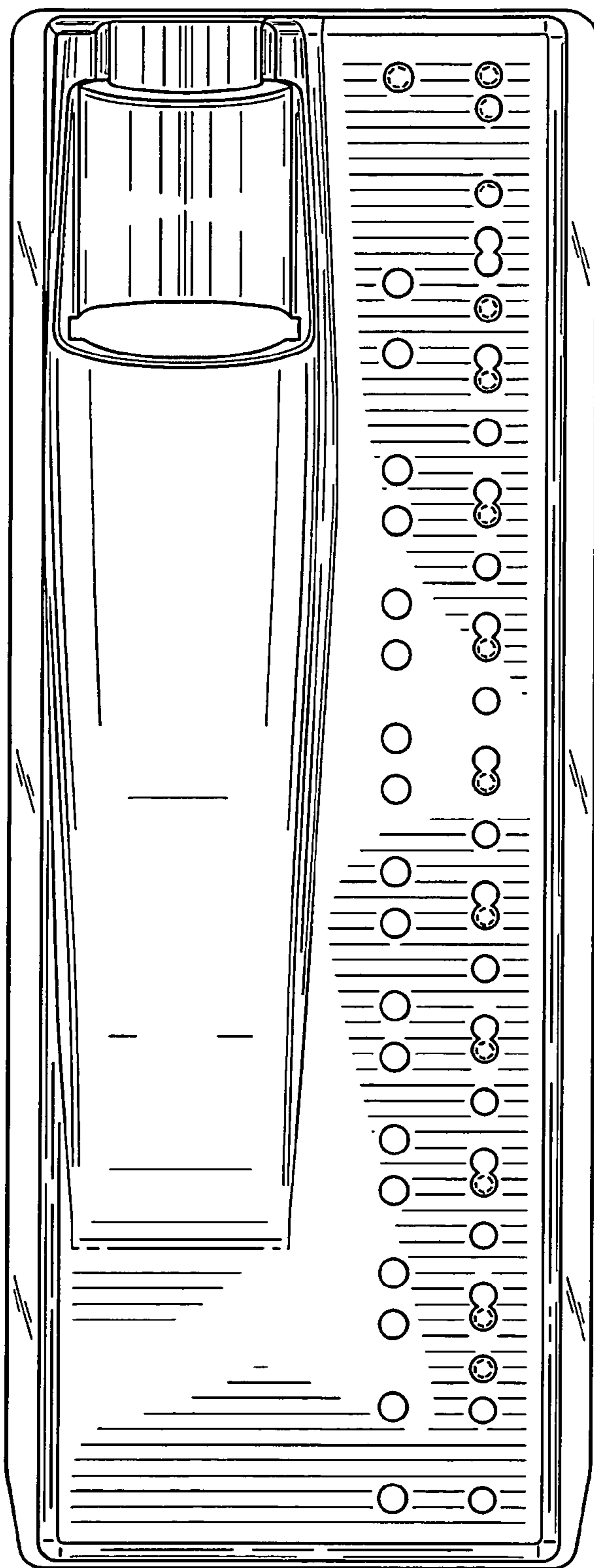


FIG. 3

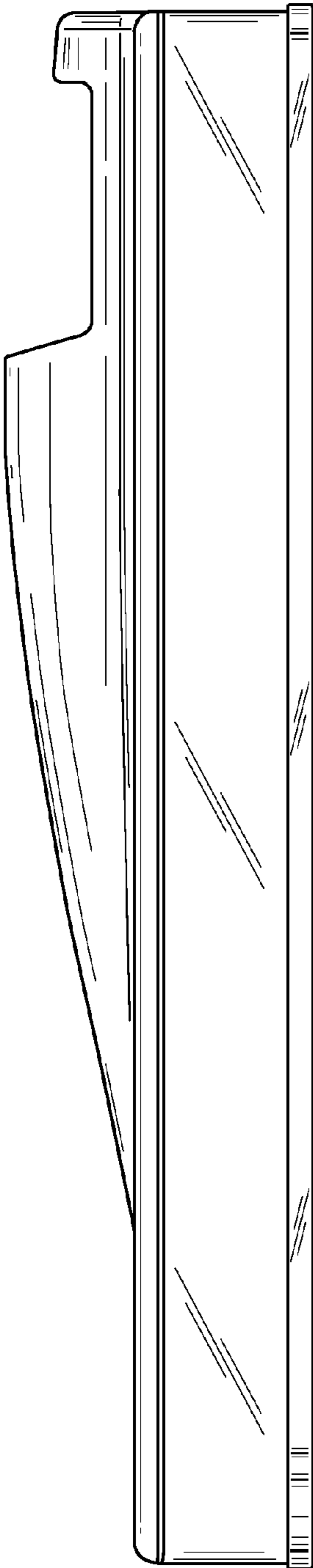


FIG. 4

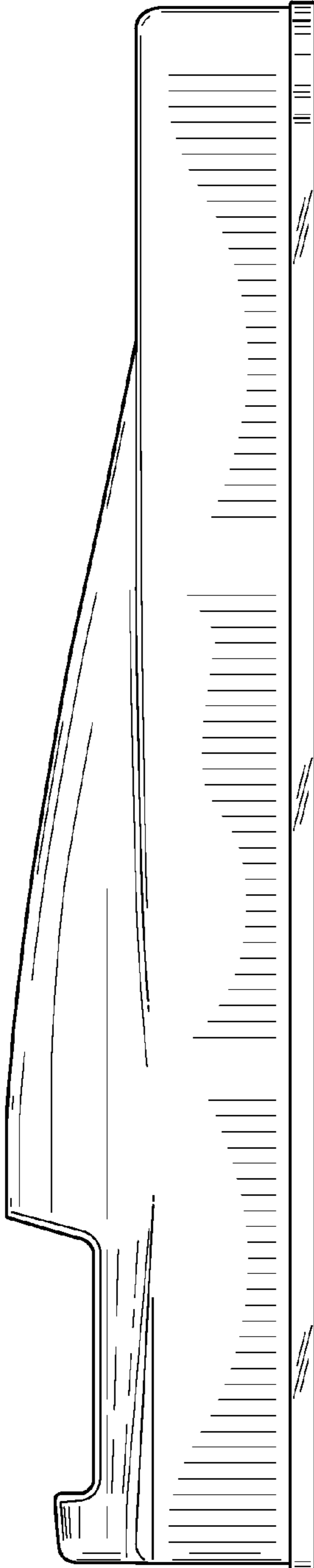


FIG. 5

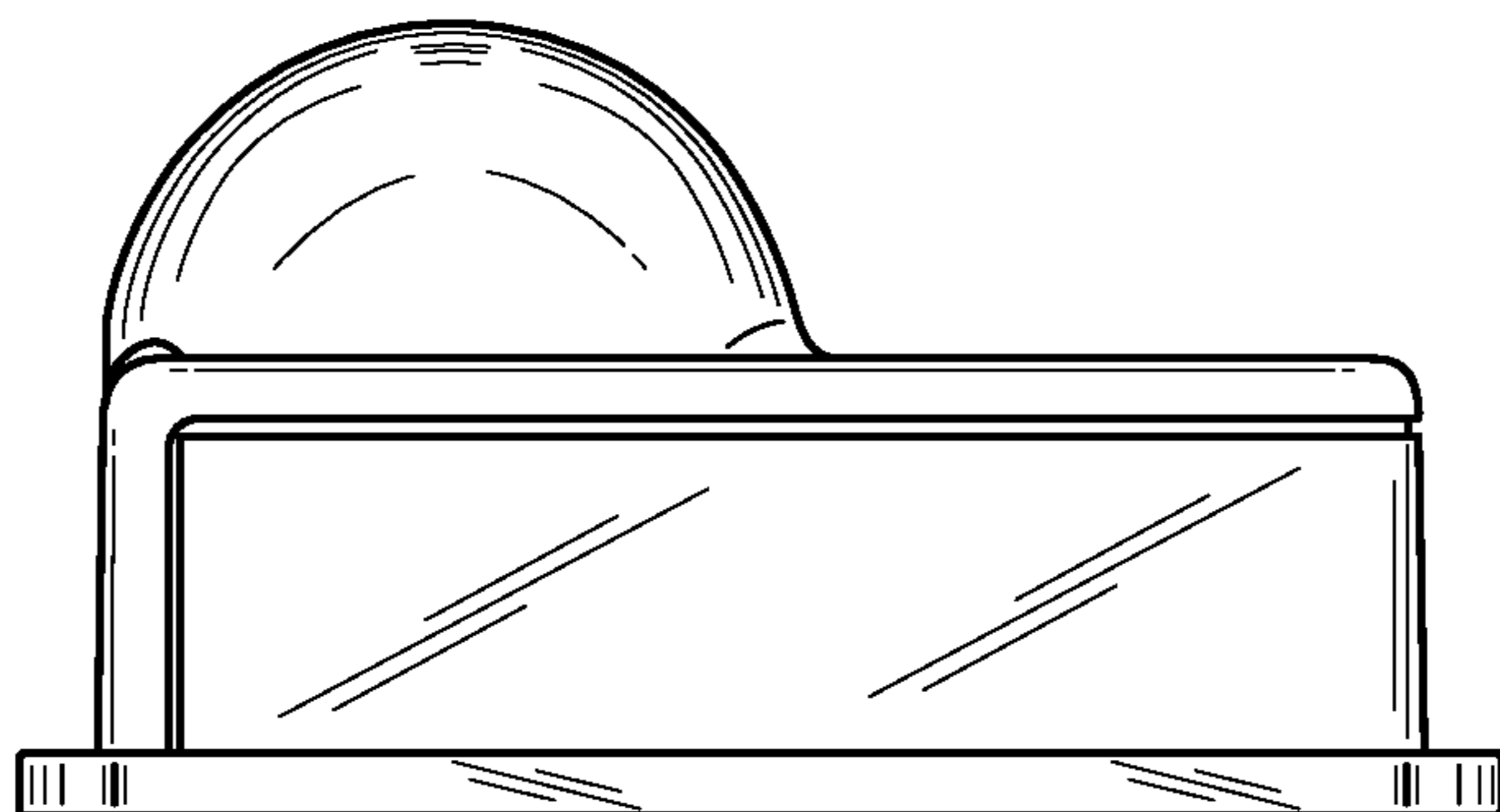


FIG. 6

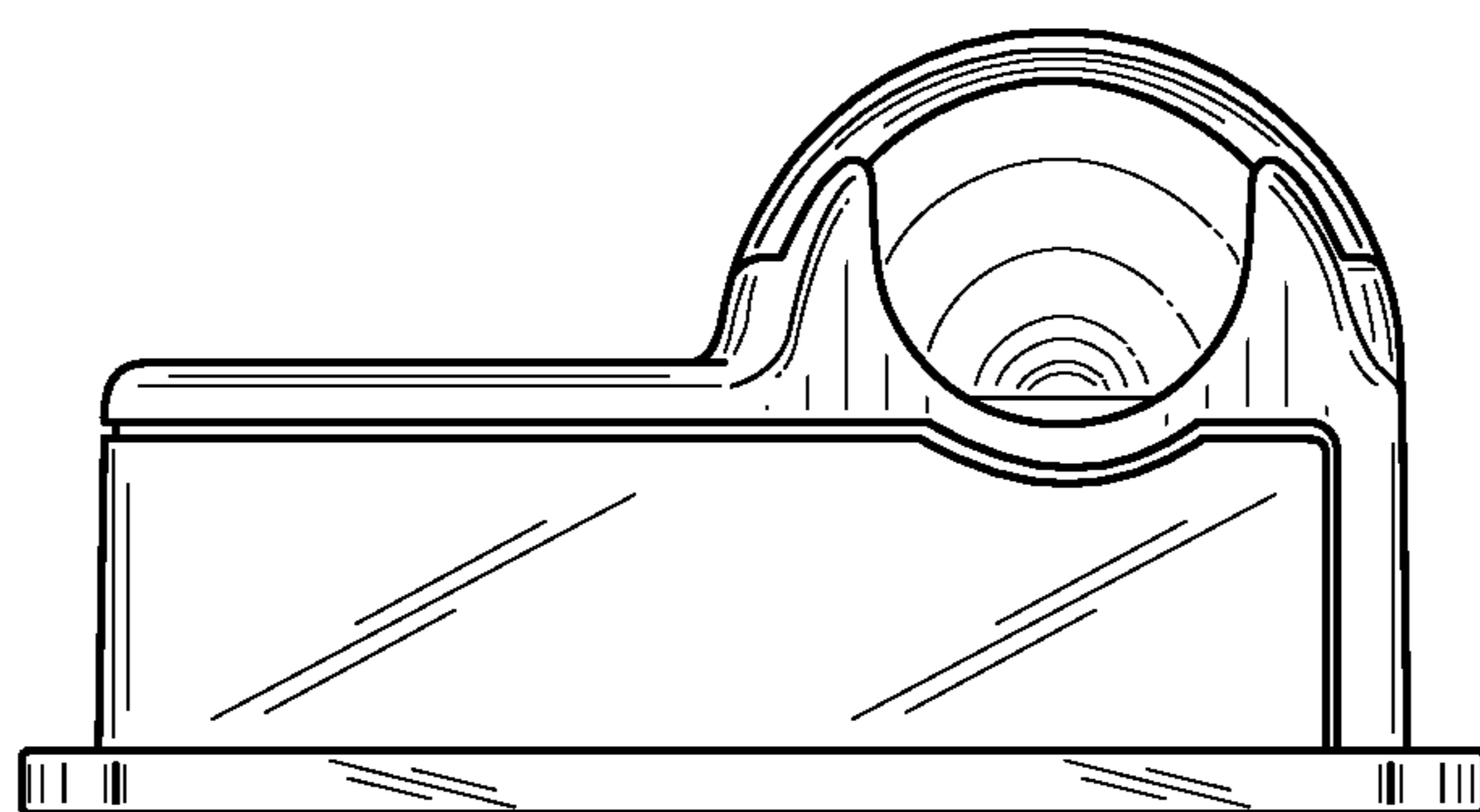


FIG. 7

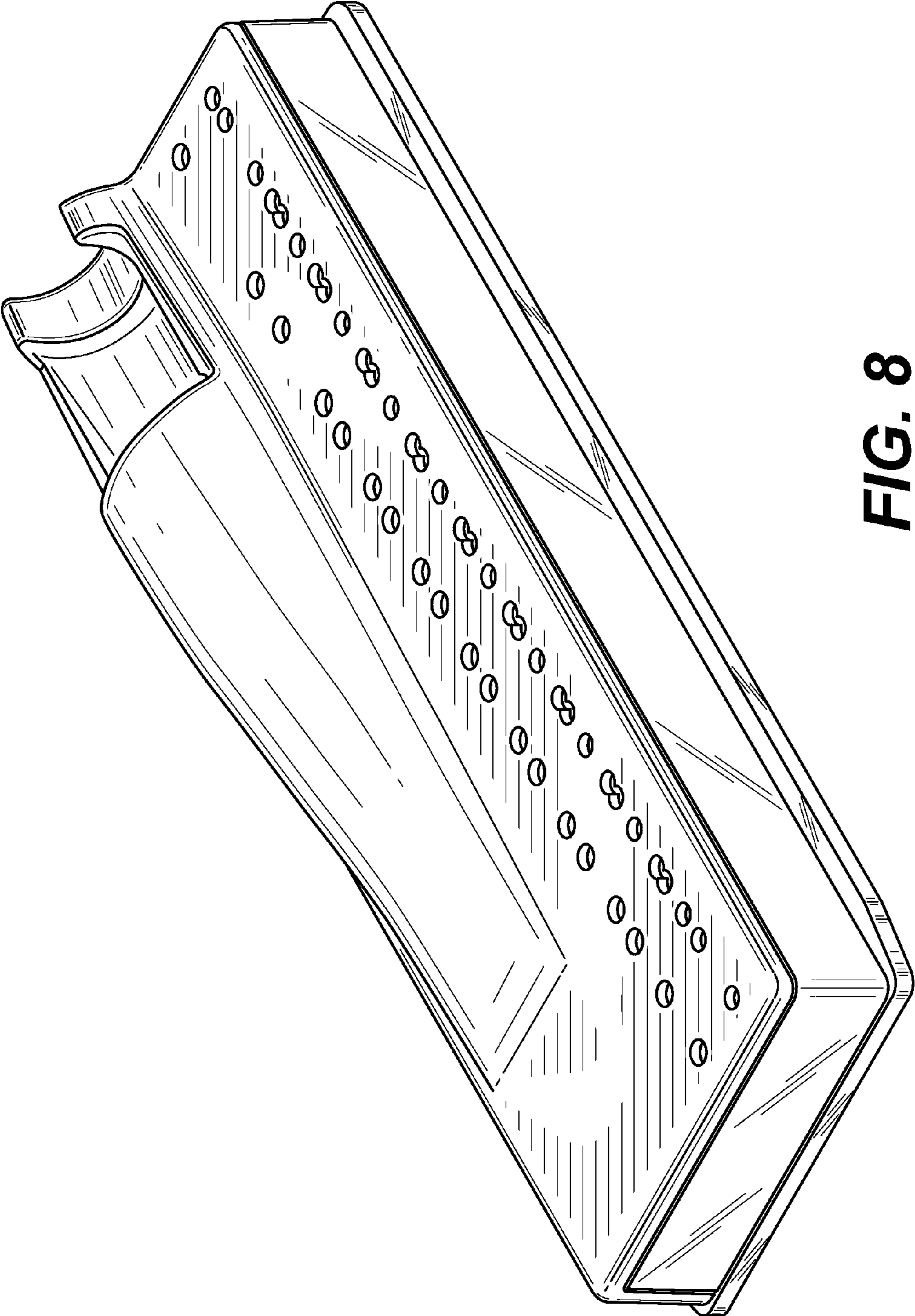


FIG. 8

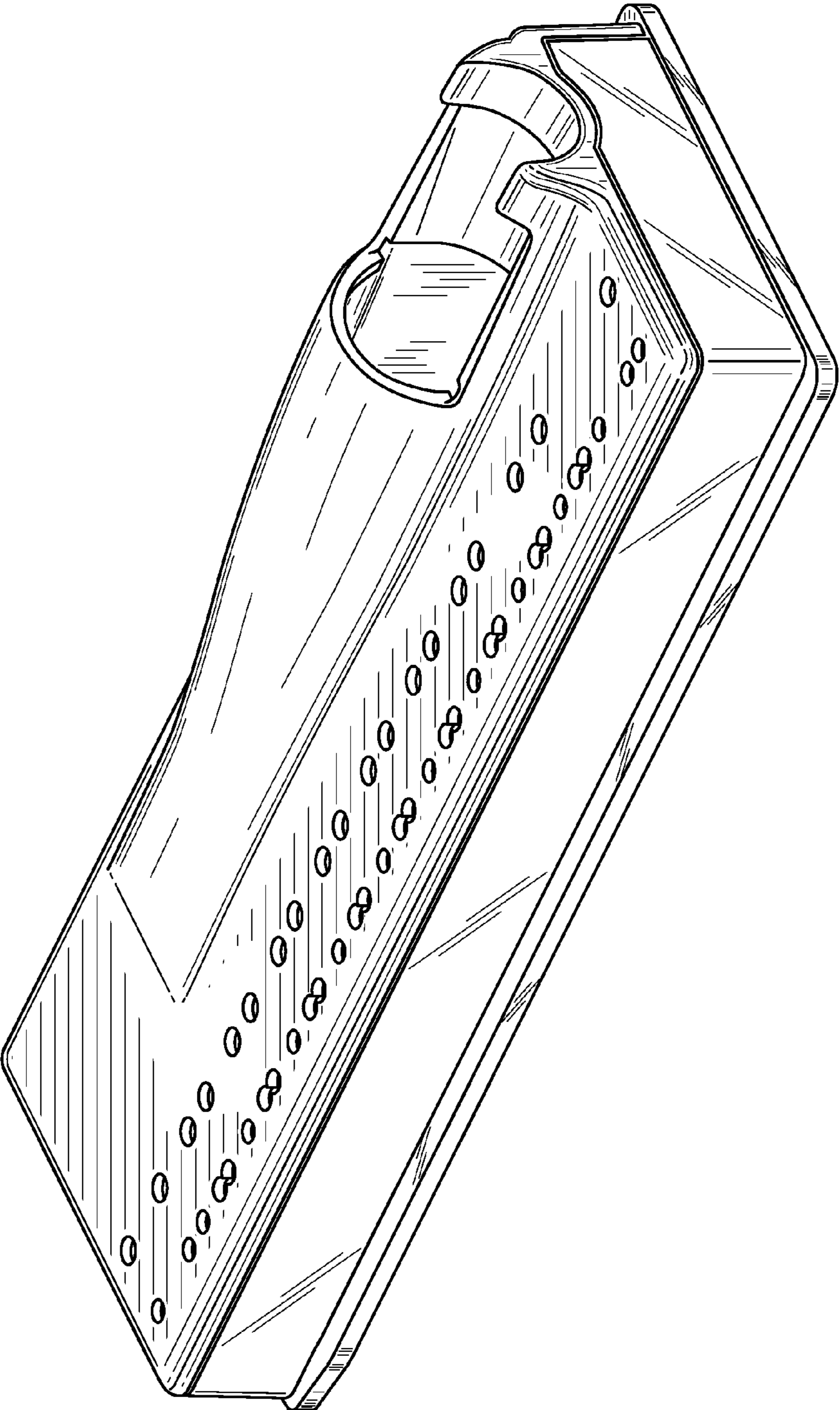


FIG. 9