



US00D697225S

(12) **United States Design Patent**  
**Maas**

(10) **Patent No.:** **US D697,225 S**  
(45) **Date of Patent:** **\*\* Jan. 7, 2014**

(54) **DROPPER BOTTLE**

(71) Applicant: **Eurotrol B.V.**, BS EDE (NL)

(72) Inventor: **Bart H. A. Maas**, GL Elst (NL)

(73) Assignee: **Eurotrol B.V.**, BS EDE (NL)

(\*\*) Term: **14 Years**

(21) Appl. No.: **29/433,066**

(22) Filed: **Sep. 25, 2012**

(51) **LOC (10) Cl.** ..... **24-01**

(52) **U.S. Cl.**  
USPC ..... **D24/224**

(58) **Field of Classification Search**  
USPC ..... D24/121, 216, 223, 224, 225, 226, 227,  
D24/229, 230, 231, 232; D10/81; D9/500,  
D9/503, 504, 420, 423, 428, 432, 436, 529,  
D9/537, 539, 574, 724; 422/500, 547, 565,  
422/556, 558; 215/306, 235, 237, 236, 343;  
206/305, 219; 220/836, 839; D3/201,  
D3/203.1, 203.2; 222/212, 420  
See application file for complete search history.

(56) **References Cited**

**U.S. PATENT DOCUMENTS**

D250,481 S *	12/1978	Whattam	.....	D24/224
D256,053 S *	7/1980	Steigerwald	.....	D24/224
4,234,103 A *	11/1980	Strobl et al.	.....	222/83.5
D351,904 S *	10/1994	Maze	.....	D24/224
5,547,091 A *	8/1996	Neveras et al.	.....	215/237
5,603,436 A *	2/1997	Leoncavallo et al.	.....	222/525
D427,306 S *	6/2000	McCallister et al.	.....	D24/121
D640,795 S *	6/2011	Jackson et al.	.....	D24/216

D644,336 S *	8/2011	Belfance et al.	.....	D24/224
D649,055 S *	11/2011	Fracasso	.....	D9/503
2009/0065378 A1 *	3/2009	Maas	.....	206/219

\* cited by examiner

*Primary Examiner* — Anhdao Doan

(74) *Attorney, Agent, or Firm* — Warner Norcross & Judd LLP

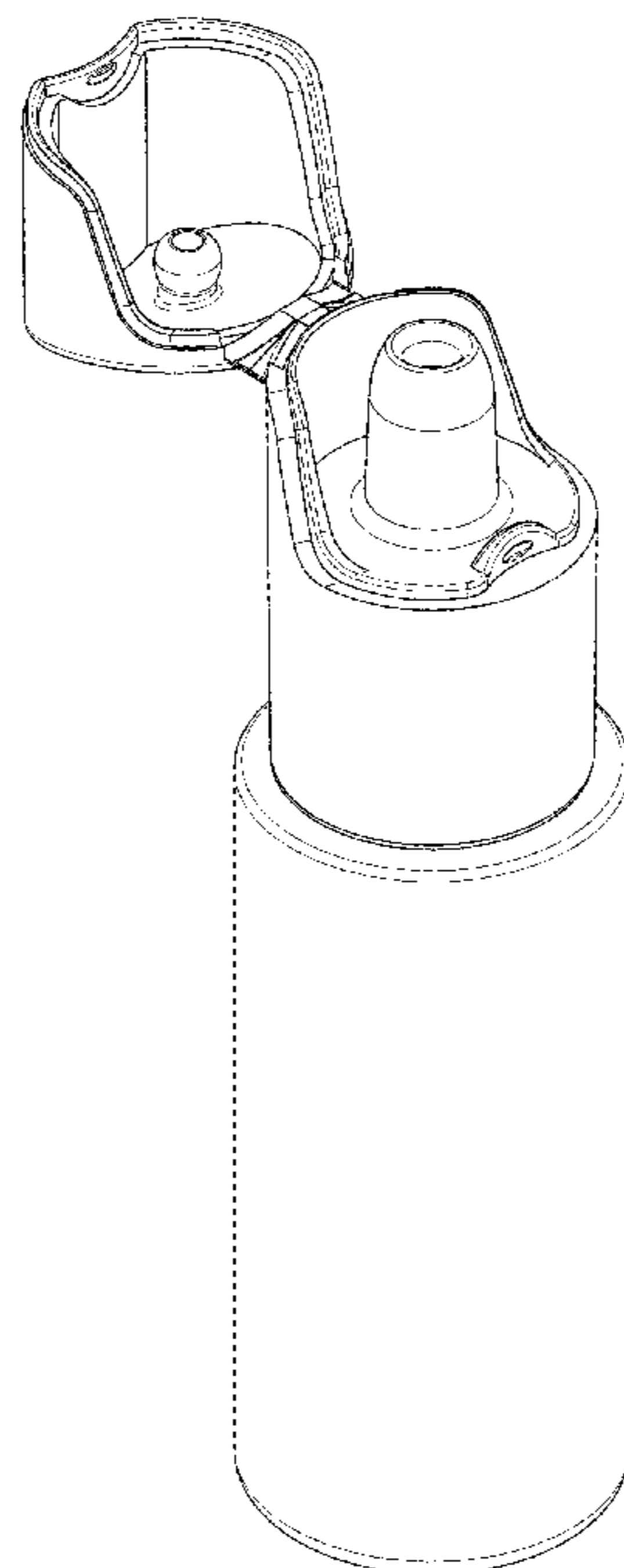
(57) **CLAIM**

The ornamental design for a dropper bottle, as shown and described.

**DESCRIPTION**

FIG. 1 is a perspective view of the dropper bottle;  
FIG. 2 is a rear perspective view of the dropper bottle of FIG. 1;  
FIG. 3 is a left side view of the dropper bottle of FIG. 1;  
FIG. 4 is a right side view of the dropper bottle of FIG. 1;  
FIG. 5 is a front view thereof;  
FIG. 6 is a rear view thereof;  
FIG. 7 is a similar view of FIG. 1 with the top of the bottle opened;  
FIG. 8 is a top view of the dropper bottle of FIG. 1;  
FIG. 9 is a bottom view of the dropper bottle of FIG. 1;  
FIG. 10 is an enlarged perspective view of the top of the dropper bottle removed from the bottle body;  
FIG. 11 is a perspective view of the bottle body with the top removed;  
FIG. 12 is a similar view to FIG. 10 showing the top opened;  
and,  
FIG. 13 is a bottom perspective view of the top of FIG. 10.

**1 Claim, 12 Drawing Sheets**



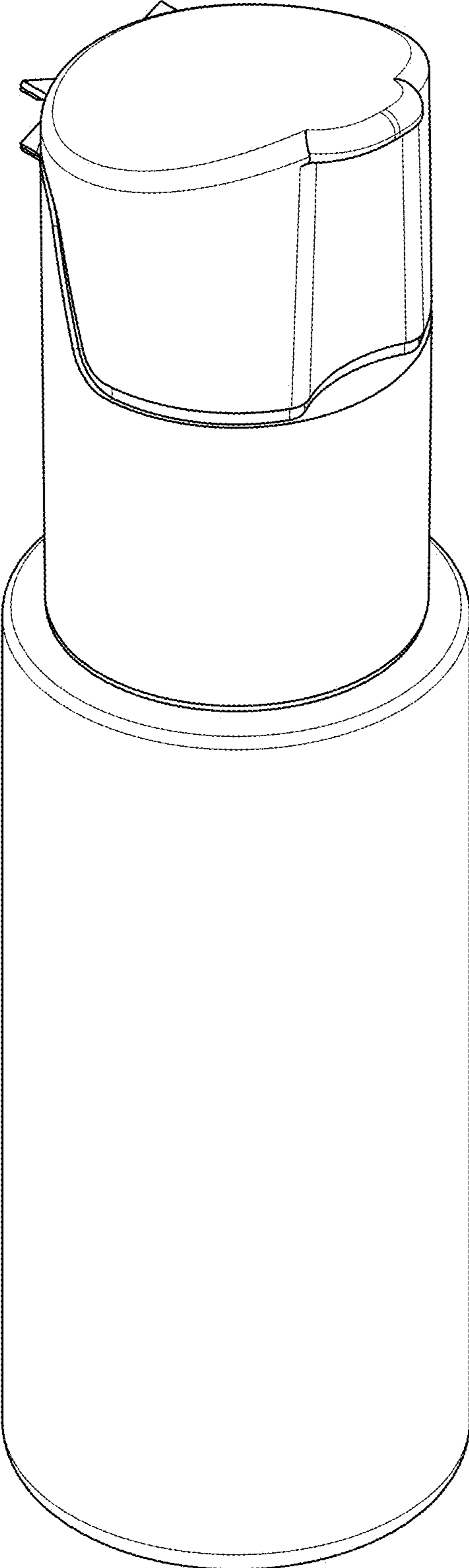


FIG. 1

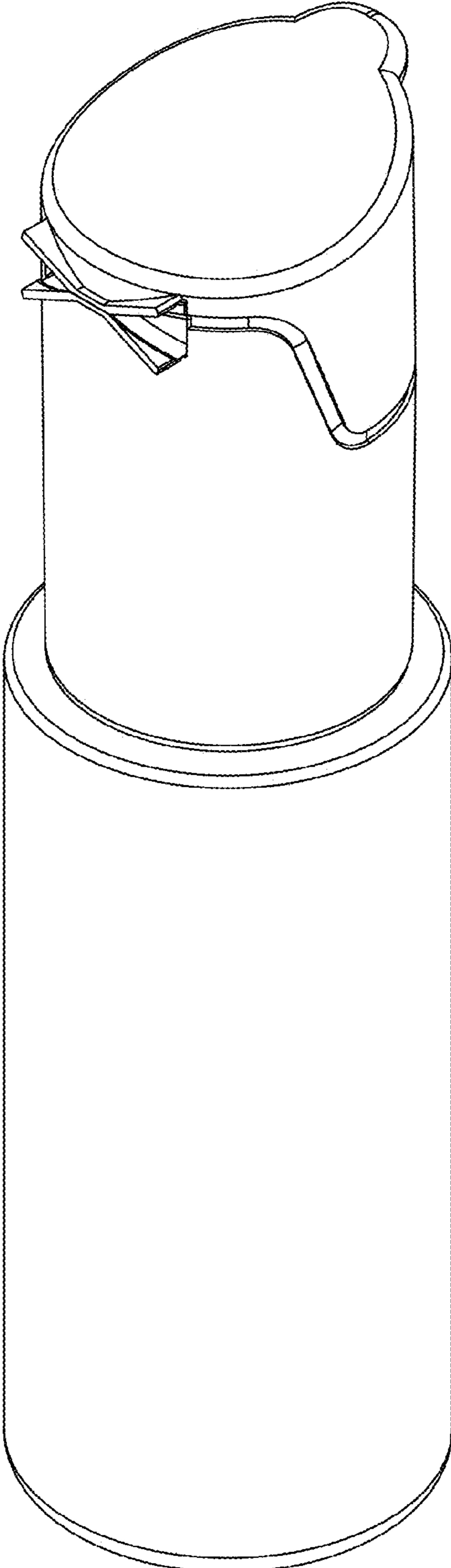


FIG. 2

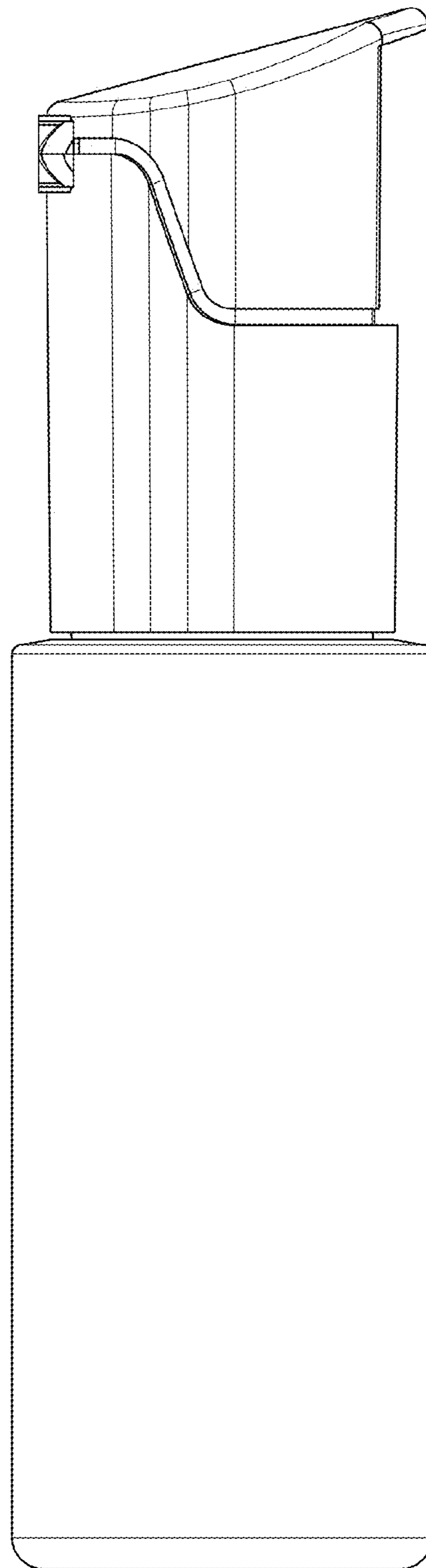


FIG. 3

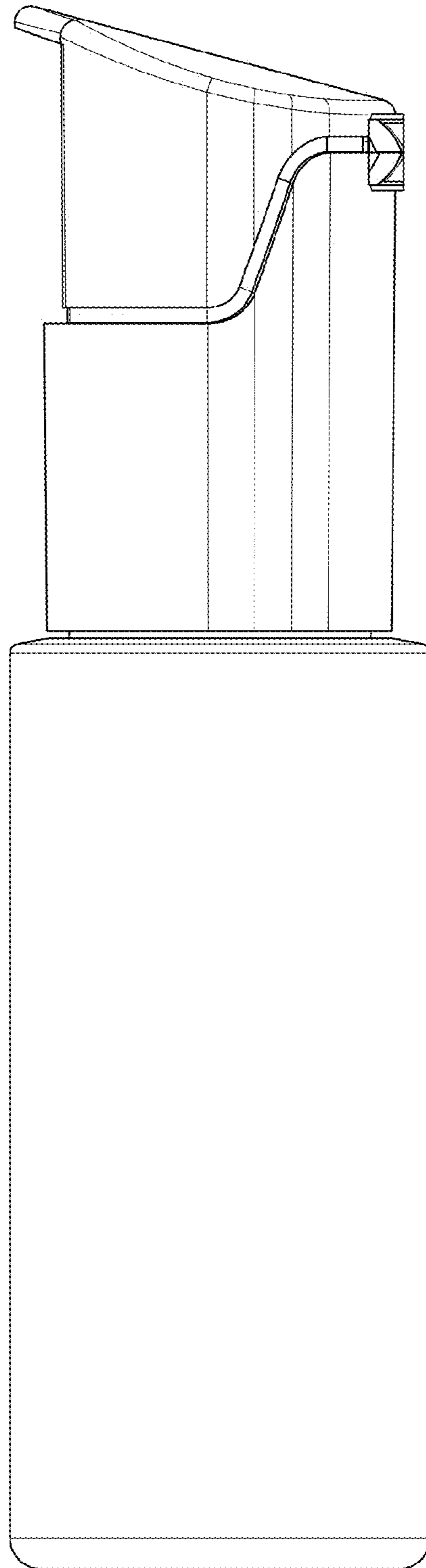


FIG. 4

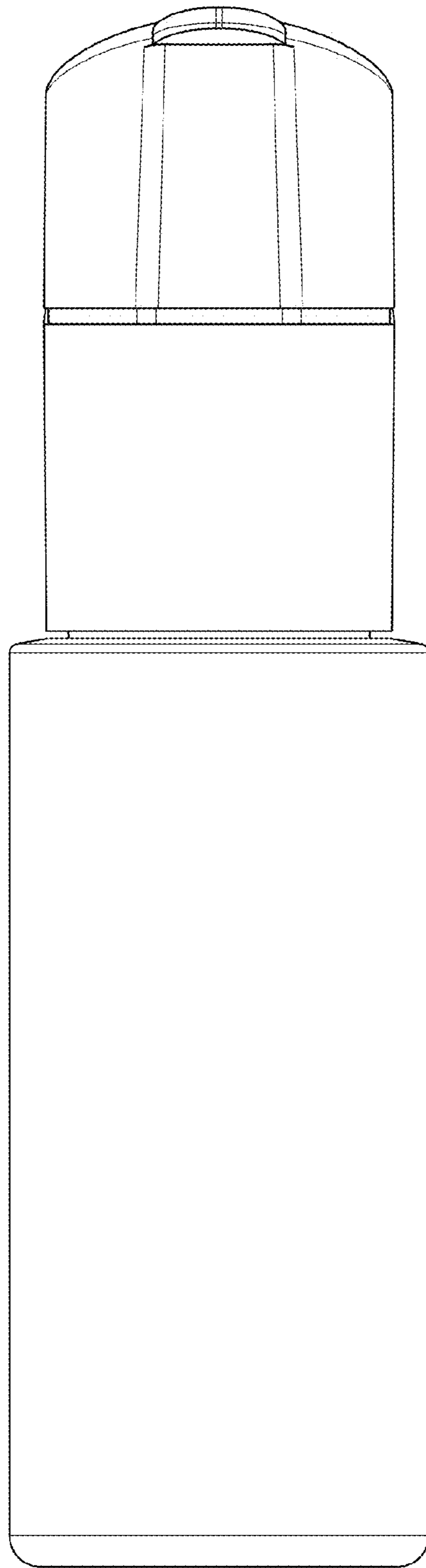


FIG. 5

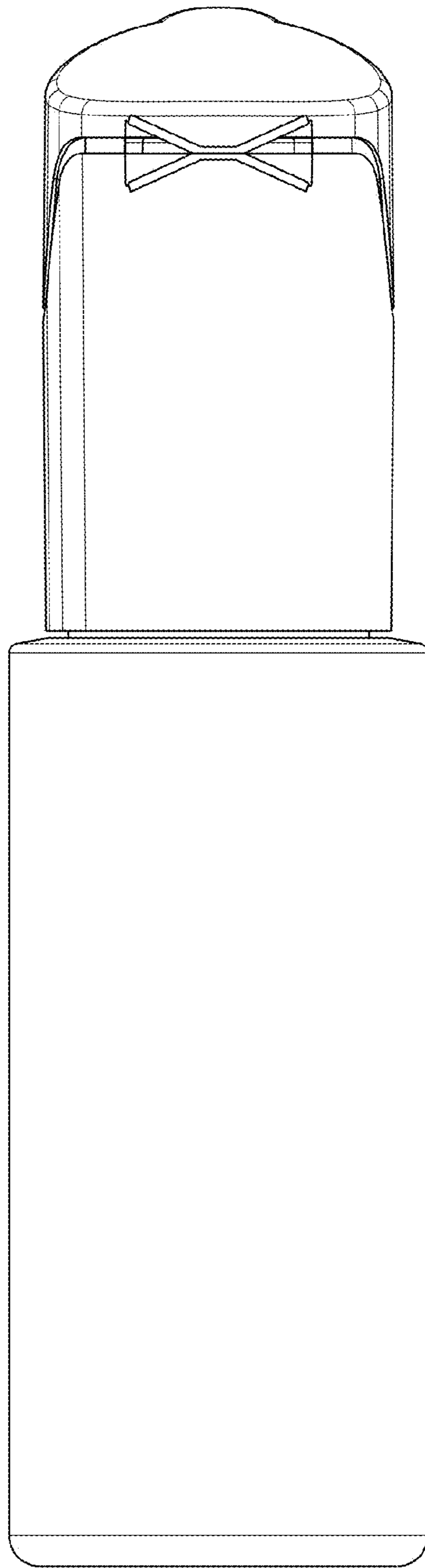


FIG. 6

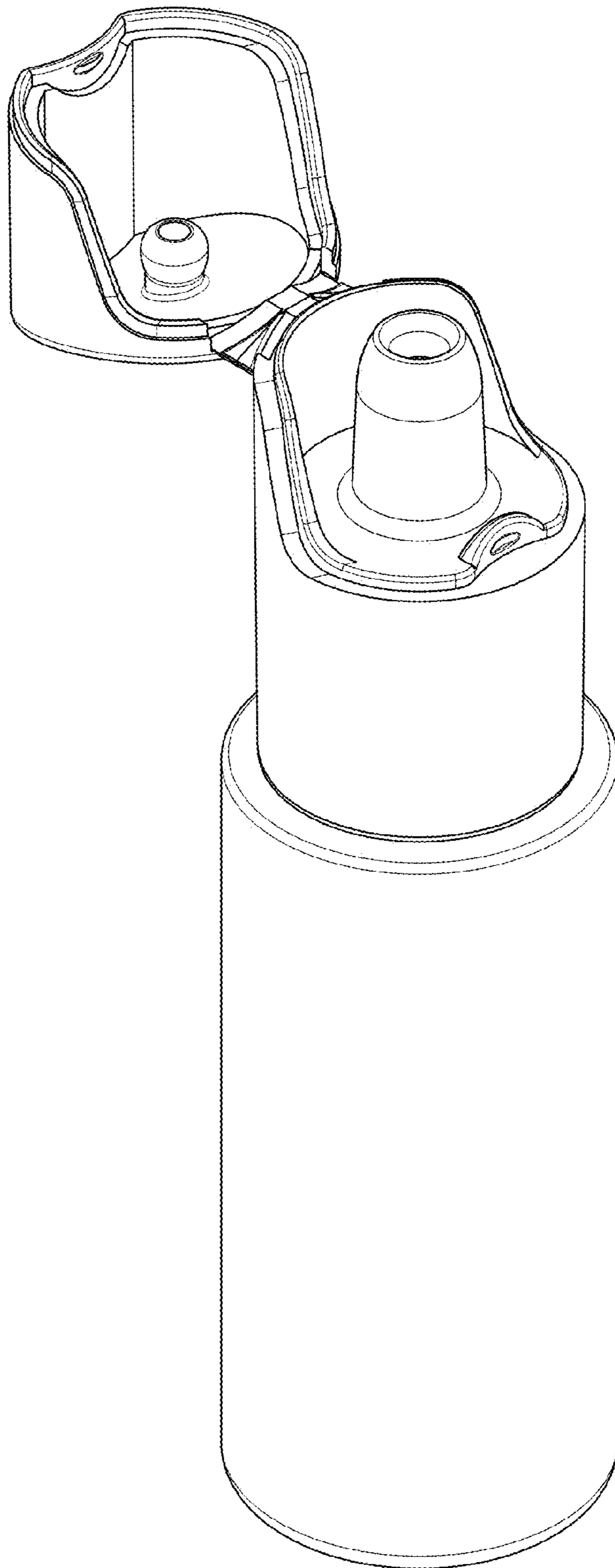


FIG. 7



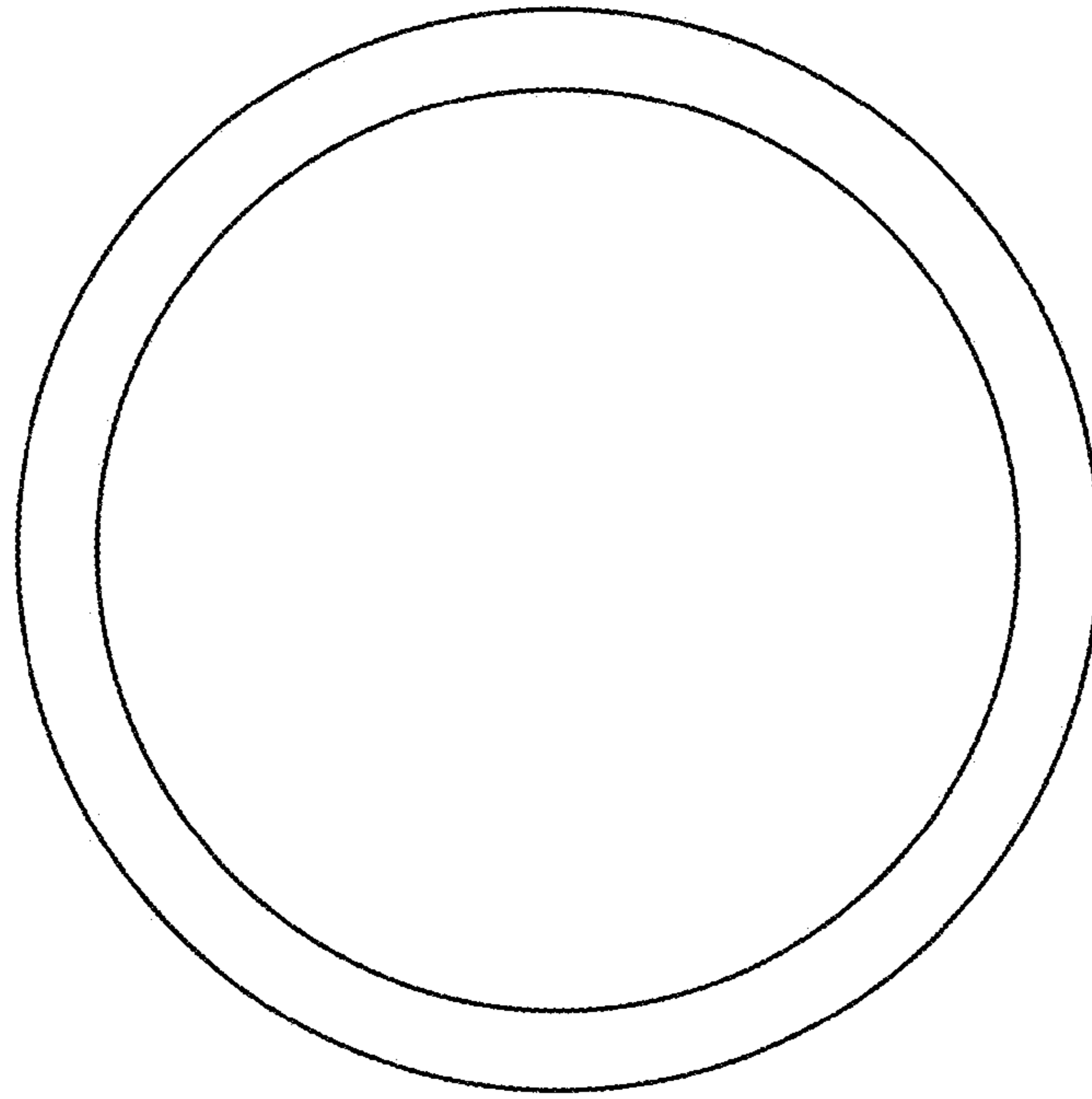


FIG. 9

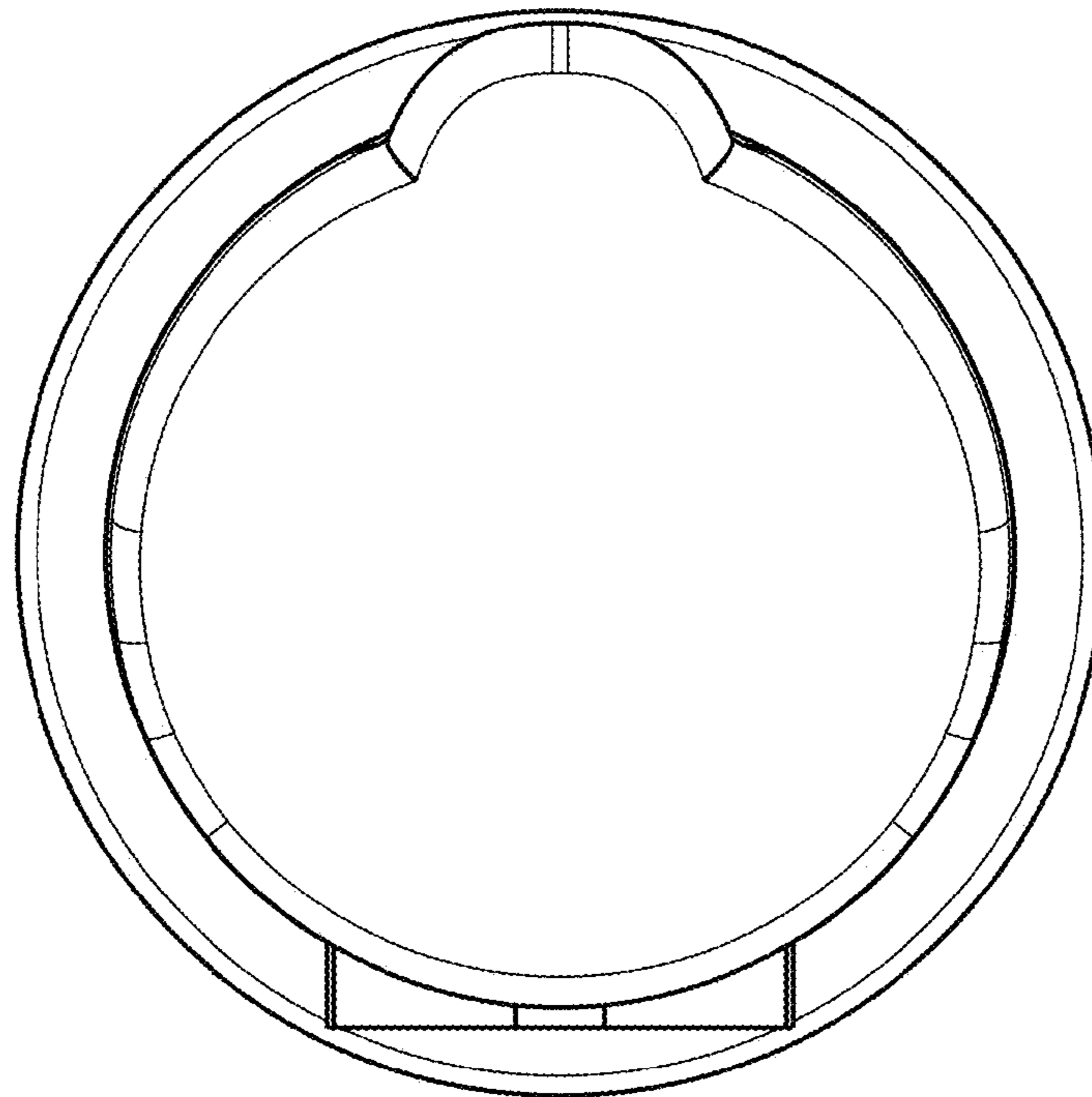


FIG. 8

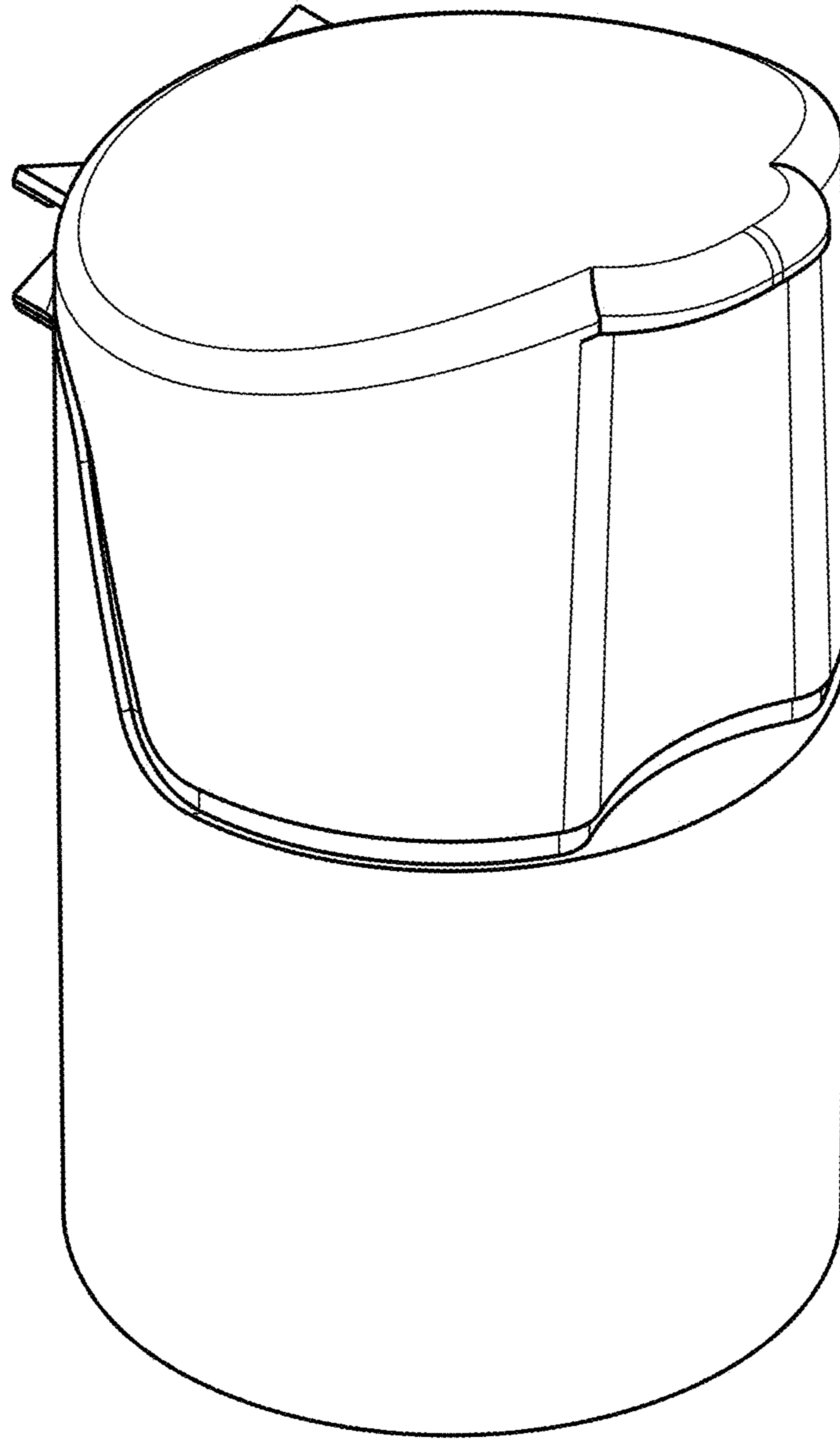


FIG. 10

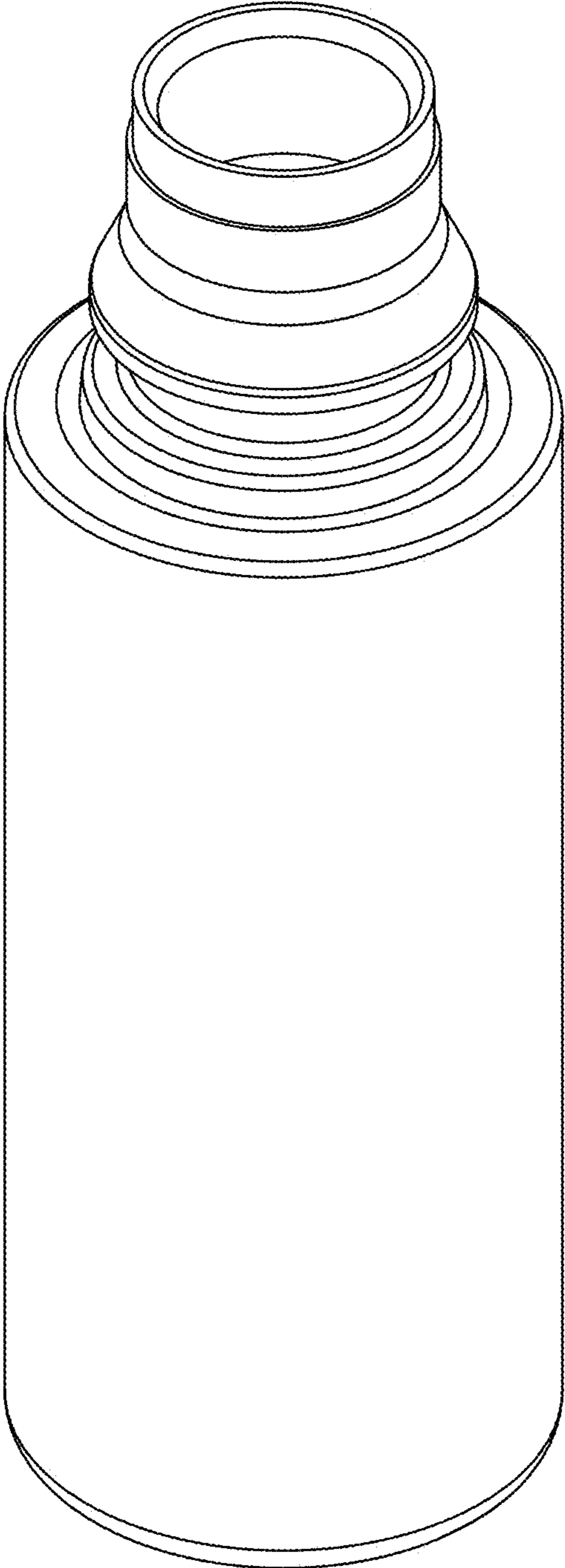


FIG. 11

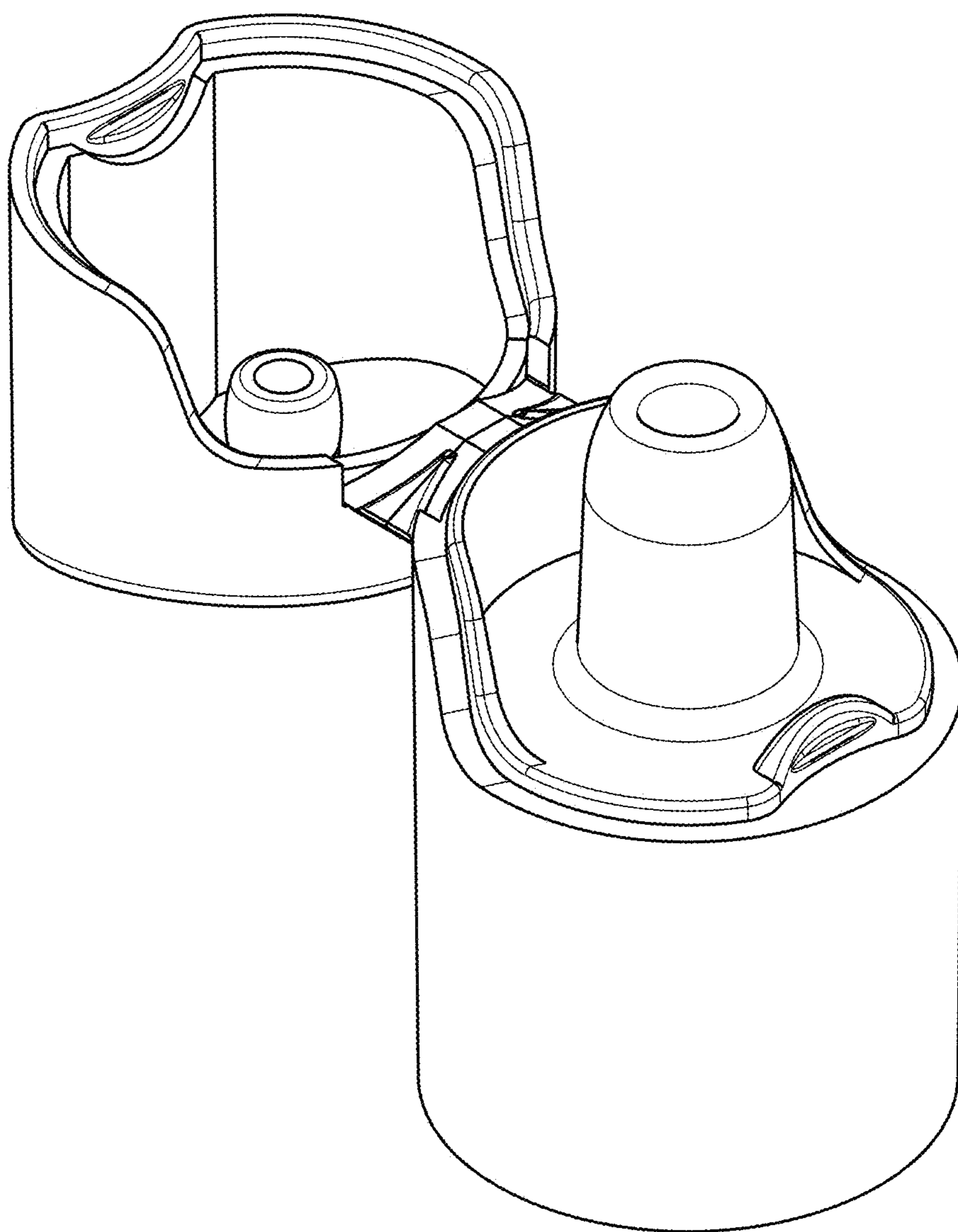


FIG. 12

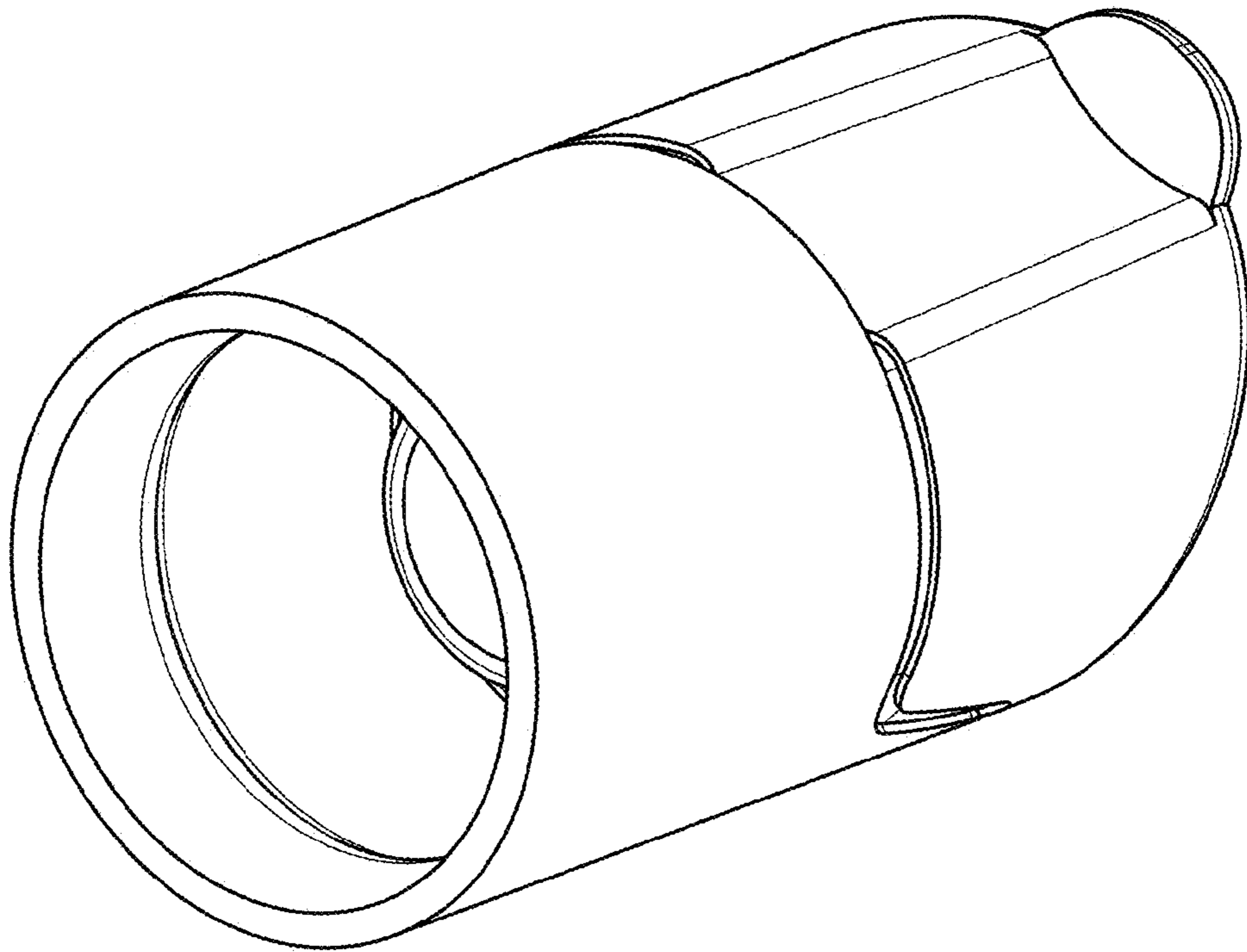


FIG. 13