



US00D697224S

(12) **United States Design Patent**
Judson et al.

(10) **Patent No.:** **US D697,224 S**

(45) **Date of Patent:** **** *Jan. 7, 2014**

(54) **LID FOR A TISSUE TRANSPORT SYSTEM**

(71) Applicant: **Paragonix Technologies, Inc.**,
Cambridge, MA (US)

(72) Inventors: **Jared Alden Judson**, Medford, MA
(US); **Lisa Maria Anderson**, Boston,
MA (US)

(73) Assignee: **Paragonix Technologies Inc.**,
Cambridge, MA (US)

(*) Notice: This patent is subject to a terminal disclaimer.

(**) Term: **14 Years**

(21) Appl. No.: **29/435,686**

(22) Filed: **Oct. 26, 2012**

(51) **LOC (10) Cl.** **24-01**

(52) **U.S. Cl.**
USPC **D24/216**

(58) **Field of Classification Search**
USPC D24/107, 123, 216, 224, 227, 229,
D24/230-232; D10/81; 62/78, 457.1, 457.2,
62/457.9; 435/1.1, 1.2, 1.3, 284.1, 307.1;
D6/435, 436, 445, 454, 456; 422/500,
422/547

See application file for complete search history.

(56) **References Cited**

U.S. PATENT DOCUMENTS

D286,026 S * 10/1986 Rayner D9/435
D327,648 S * 7/1992 Cane D9/436

5,321,955 A * 6/1994 Leonard 62/78
D352,209 S * 11/1994 Cousins et al. D7/612
D398,997 S * 9/1998 Taylor D23/499
D415,027 S * 10/1999 Blazar D9/447
6,185,942 B1 * 2/2001 Werrbach et al. 62/62
D465,350 S * 11/2002 Byrne D6/407
D470,594 S * 2/2003 Brassil et al. D24/216
D481,801 S * 11/2003 Whitley D24/224
D560,284 S * 1/2008 Nagakubo et al. D24/232
D655,162 S * 3/2012 Daniel D9/447
2010/0015592 A1 * 1/2010 Doorschodt 435/1.2

* cited by examiner

Primary Examiner — Anhdao Doan

(74) *Attorney, Agent, or Firm* — Thomas C. Meyers; Brown Rudnick LLP

(57) **CLAIM**

The ornamental design for a lid for a tissue transport system, as shown and described.

DESCRIPTION

FIG. 1 illustrates a top perspective view of a lid for a tissue transport system employing an ornamental design in accordance with the present invention;

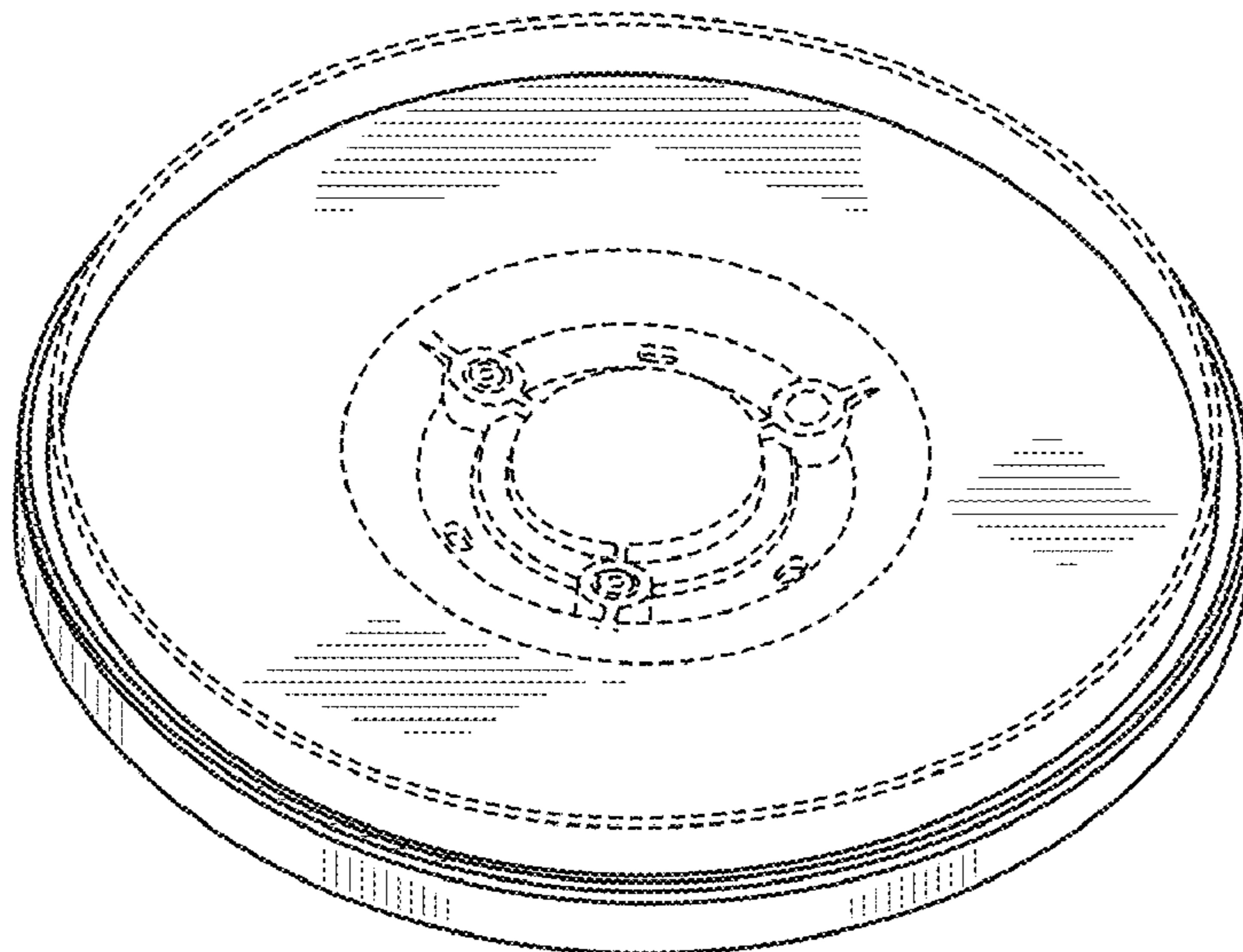
FIG. 2 illustrates a bottom perspective view of the lid of FIG. 1;

FIG. 3 illustrates a top view of the lid of FIG. 1;

FIG. 4 illustrates a side view of the lid of FIG. 1, wherein another side view is a mirror image thereof; and, FIG. 5 illustrates a bottom view of the lid of FIG. 1.

The broken lines are included for the purpose of illustrating unclaimed portions of the lid for a tissue transport system and form no part of the claimed design.

1 Claim, 2 Drawing Sheets



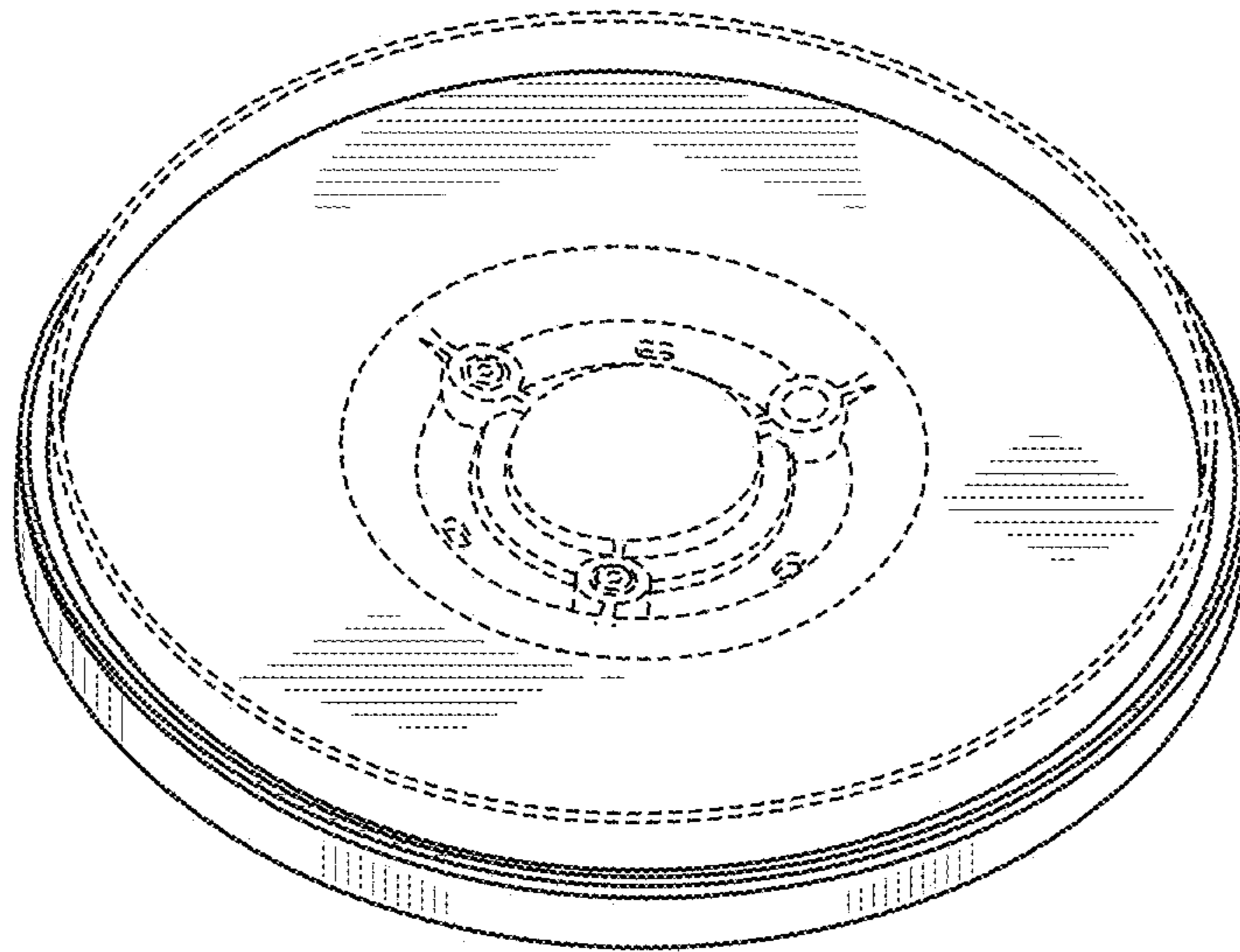


FIG. 1

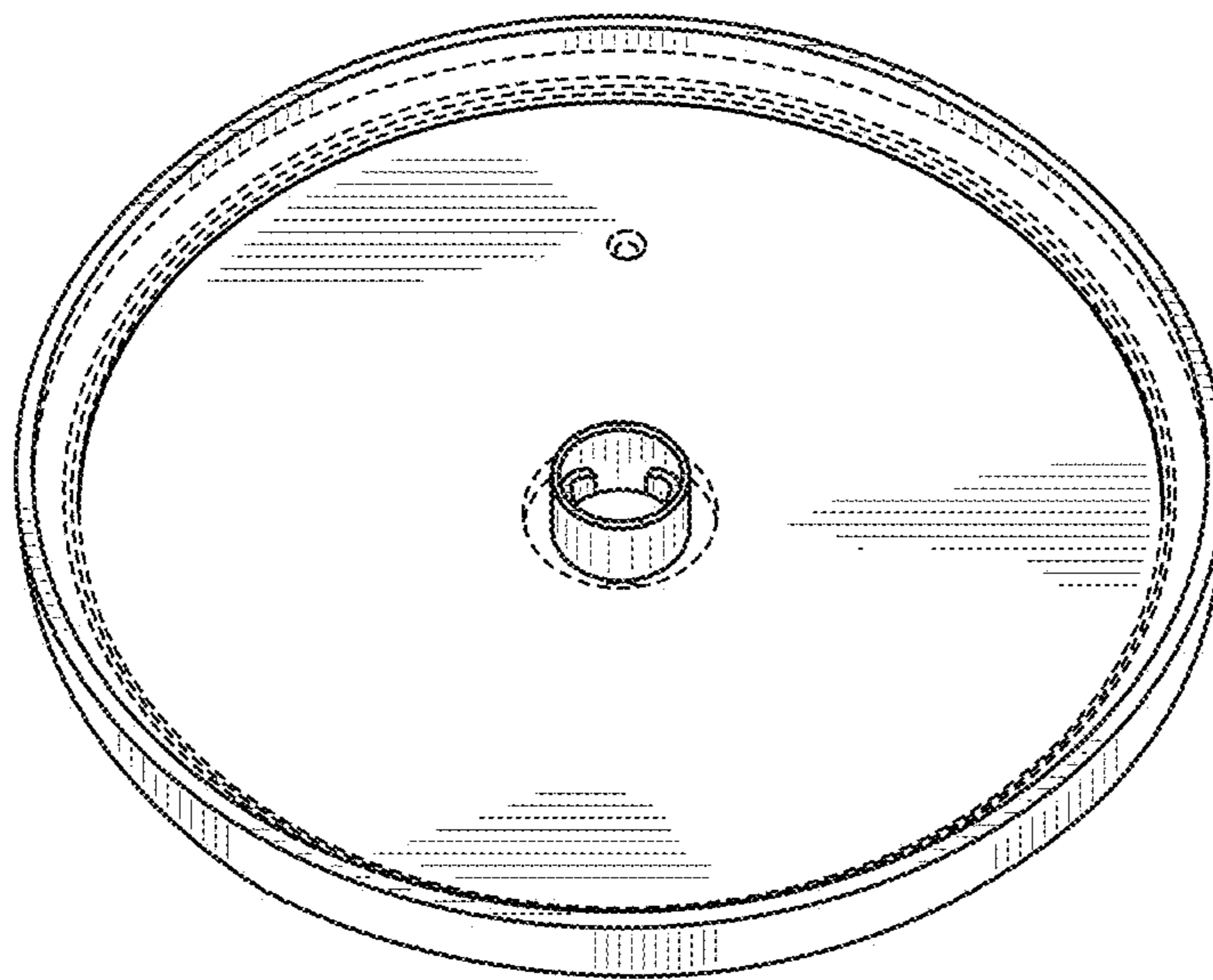


FIG. 2

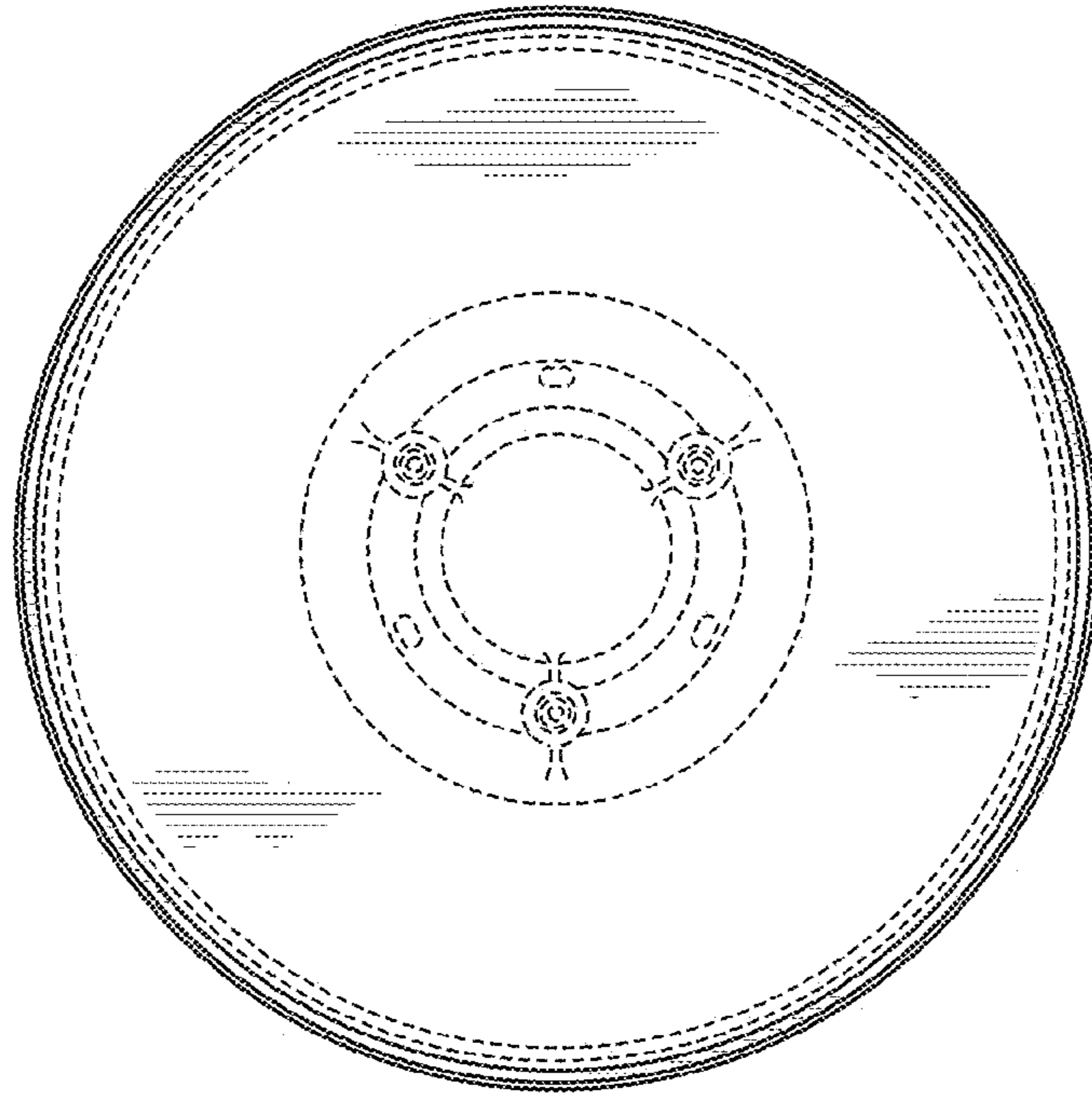


FIG. 3

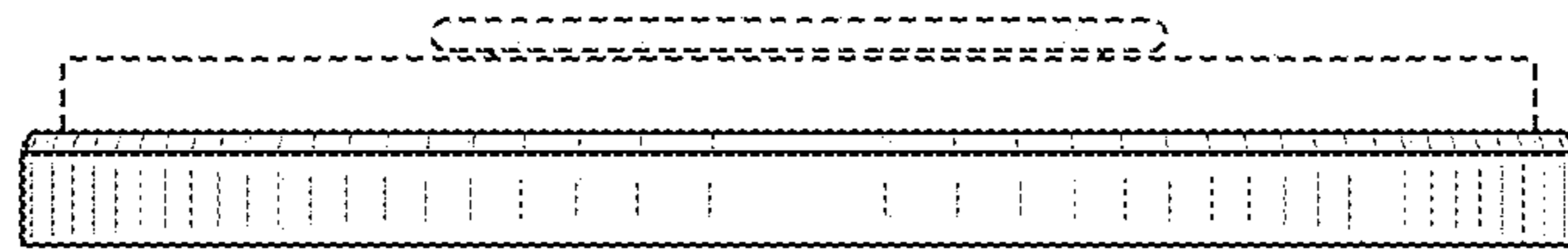


FIG. 4

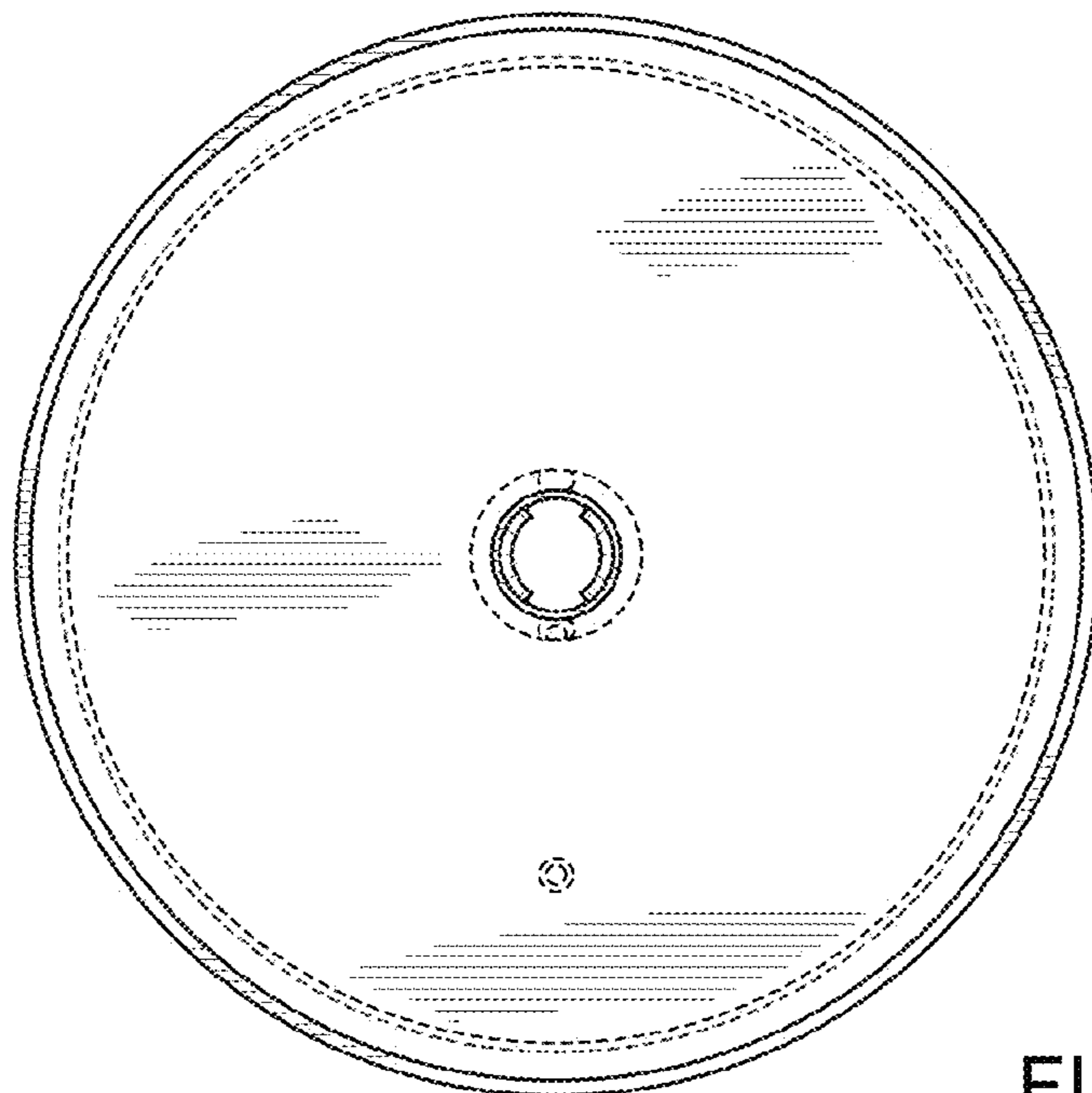


FIG. 5