



US00D697221S

(12) **United States Design Patent**
Hall et al.

(10) **Patent No.:** **US D697,221 S**
(45) **Date of Patent:** **** Jan. 7, 2014**

(54) **APPARATUS FOR STIMULATION OF THE NERVOUS SYSTEM**

(71) Applicant: **Mutebutton Ltd**, Belfield (IE)

(72) Inventors: **Patrick Hall**, West Sussex (GB);
Andrew Forbes, West Sussex (GB)

(73) Assignee: **Mutebutton Limited**, Dublin (IE)

(**) Term: **14 Years**

(21) Appl. No.: **29/450,701**

(22) Filed: **Mar. 21, 2013**

(30) **Foreign Application Priority Data**

Sep. 21, 2012 (EP) 002107540-0002

(51) **LOC (10) Cl.** **28-03**

(52) **U.S. Cl.**
USPC **D24/214**

(58) **Field of Classification Search**

USPC D24/200, 211-215, 141; 601/27, 28,
601/33, 40, 46, 47, 48, 63, 80, 99, 104, 112,
601/113, 114, 119, 122, 125, 129, 134, 135,
601/137, DIG. 12, DIG. 13, DIG. 14,
601/DIG. 15, DIG. 16, DIG. 17

See application file for complete search history.

(56) **References Cited**

U.S. PATENT DOCUMENTS

4,892,091 A * 1/1990 Sullenger 601/137
5,231,977 A * 8/1993 Graston 601/34

5,366,437 A * 11/1994 Graston 601/135
D358,217 S * 5/1995 Shalvi D24/215
5,441,478 A * 8/1995 Graston 601/137
5,707,346 A * 1/1998 Graston 601/137
6,077,239 A * 6/2000 Lin 601/137
6,216,620 B1 * 4/2001 Shepard 112/475.17
D472,642 S * 4/2003 Henckel D24/211
D524,445 S * 7/2006 Liang D24/214
D545,445 S * 6/2007 Klein D24/214
D548,356 S * 8/2007 Lai D24/214
D584,476 S * 1/2009 Caudill et al. D1/125
D584,477 S * 1/2009 Caudill et al. D1/125
D590,127 S * 4/2009 Caudill et al. D1/125
D634,022 S * 3/2011 Scappaticci D24/215
D645,568 S * 9/2011 Walker et al. D24/214

* cited by examiner

Primary Examiner — Sandra Snapp

(74) *Attorney, Agent, or Firm* — Schmeiser, Olsen & Watts
LLP; Lowell W. Gresham

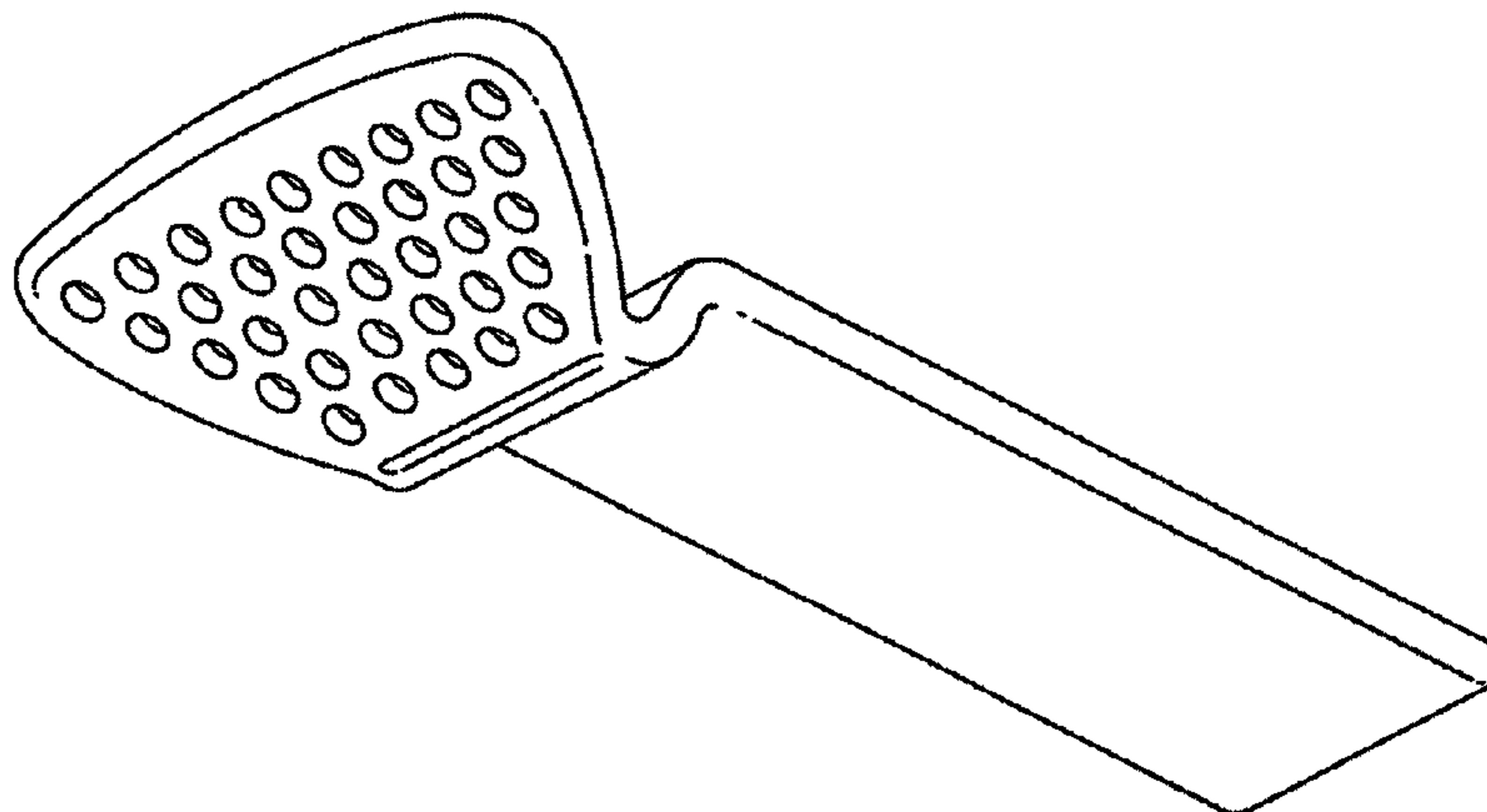
(57) **CLAIM**

The ornamental design for an apparatus for stimulation of the nervous system, as shown and described.

DESCRIPTION

FIG. 1 is a bottom isometric view of one embodiment of the design;
FIG. 2 is a top isometric view of the design shown in FIG. 1;
FIG. 3 is a top view of the design shown in FIG. 1;
FIG. 4 is left side view of the design shown in FIG. 1, and due to symmetry also a mirror image view of the right side of the design;
FIG. 5 is a front end view of the design shown in FIG. 1; and,
FIG. 6 is a bottom view of the design shown in FIG. 1.

1 Claim, 3 Drawing Sheets



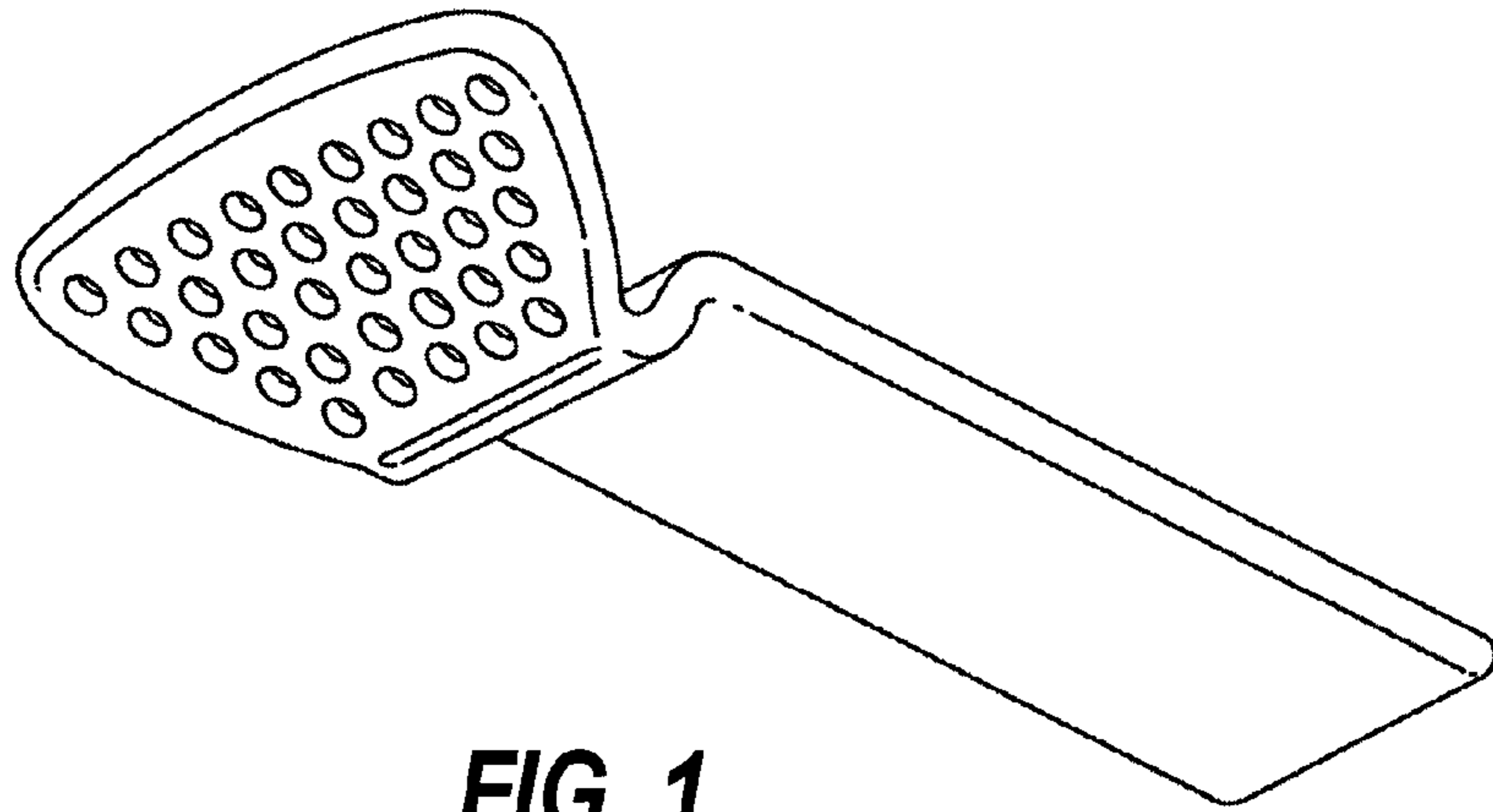


FIG. 1

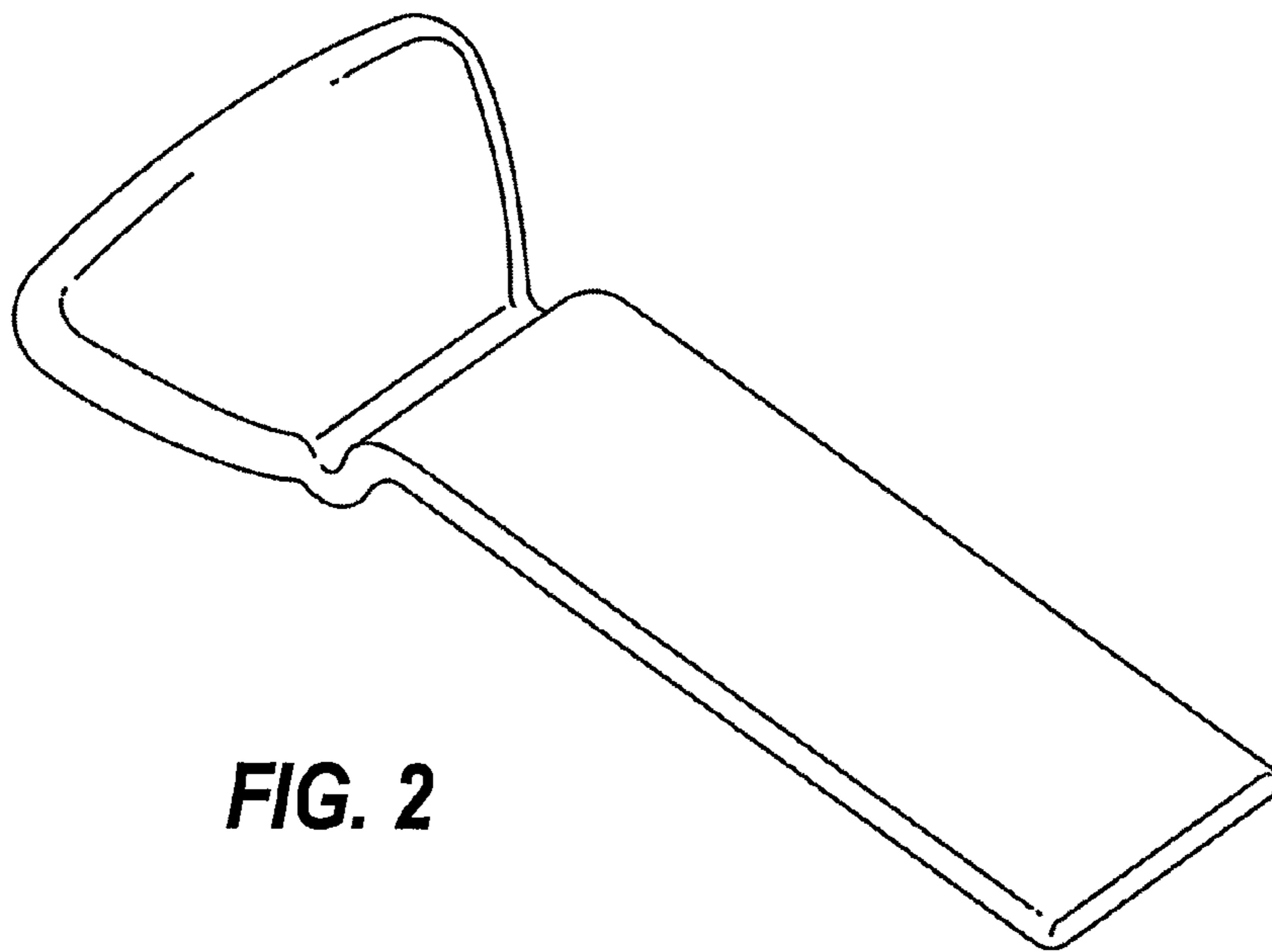


FIG. 2

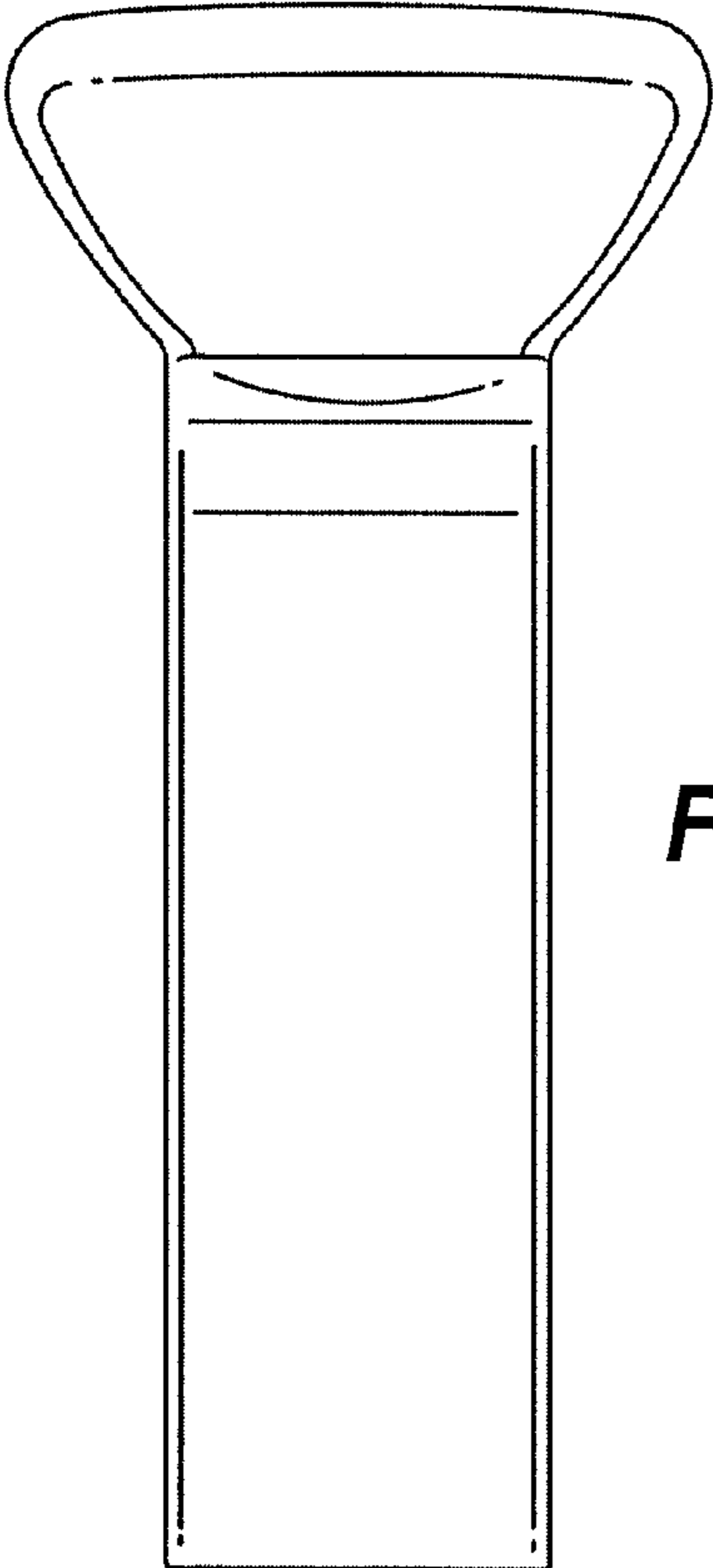


FIG. 3

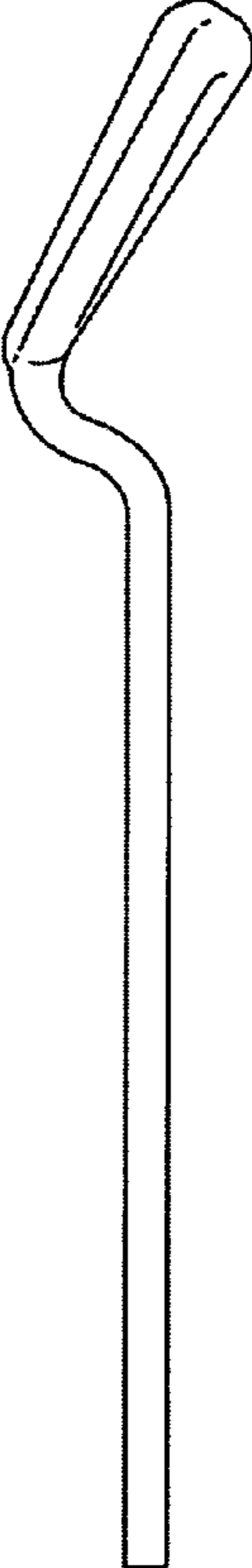


FIG. 4

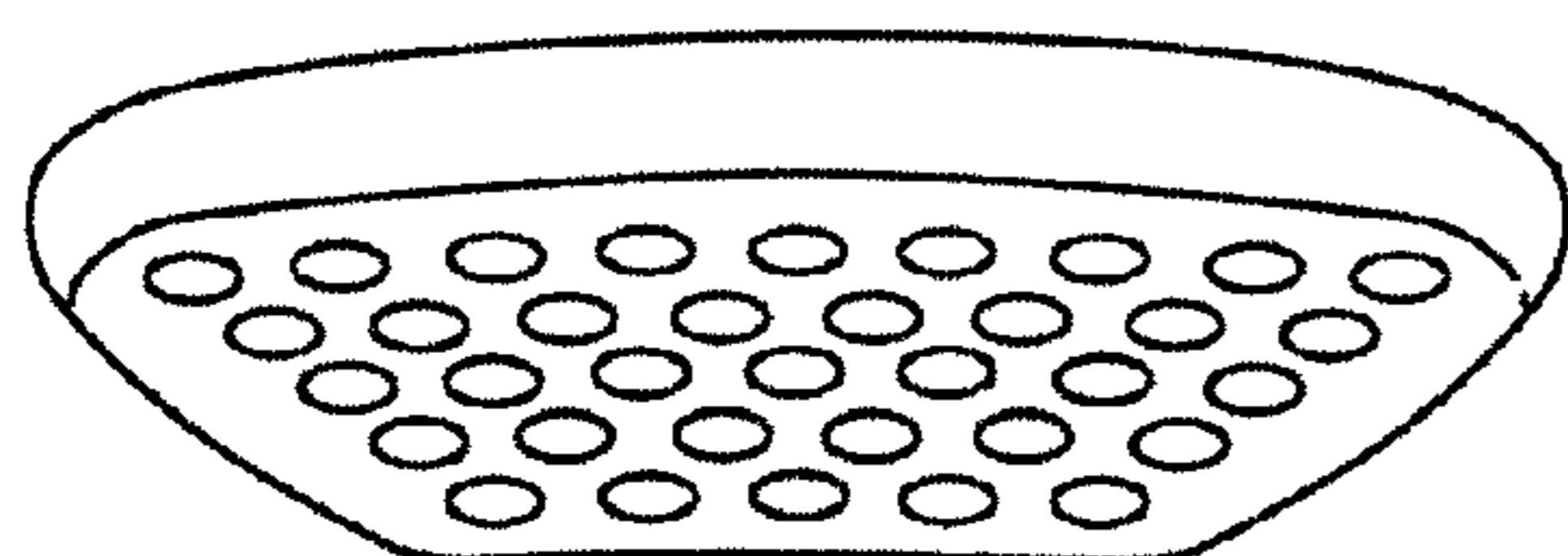


FIG. 5

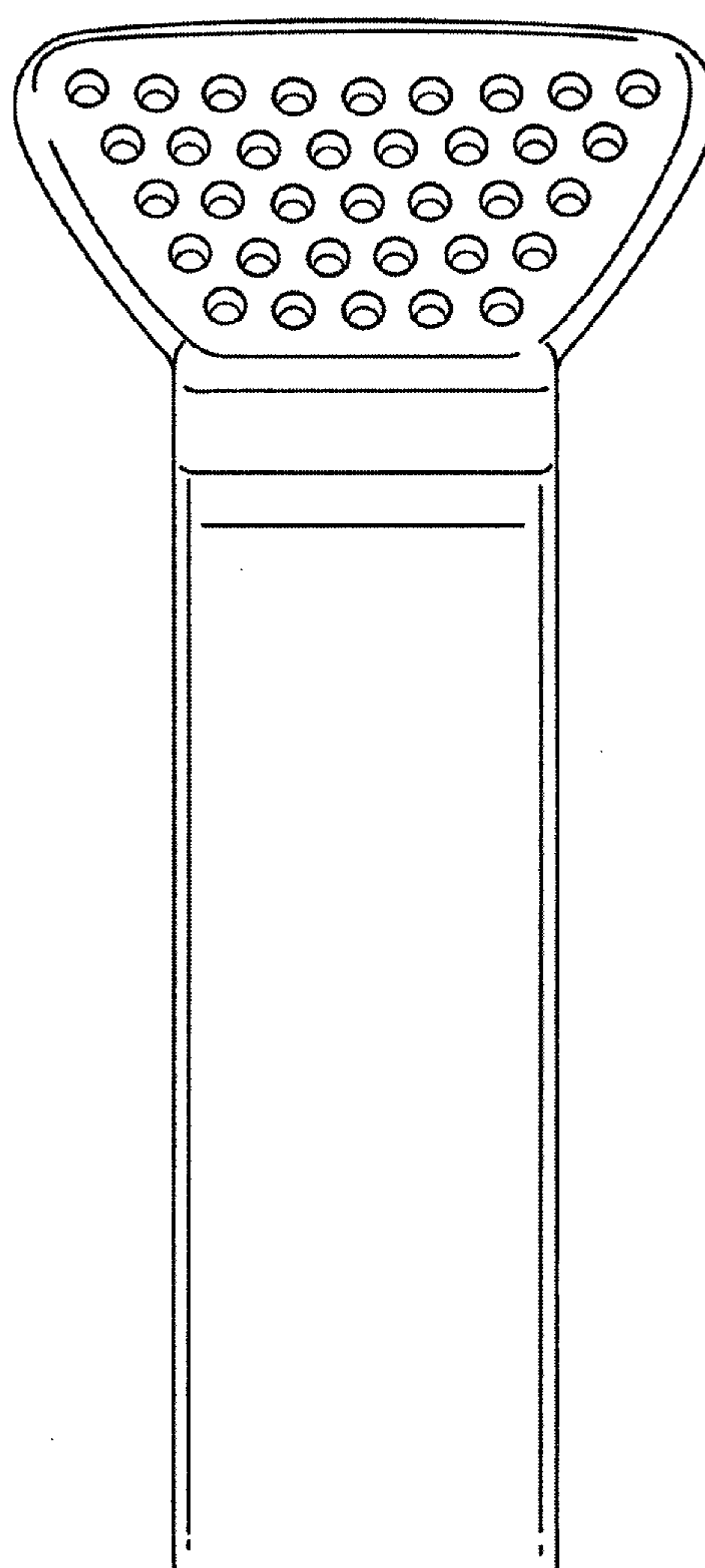


FIG. 6