



US00D697220S

(12) **United States Design Patent**  
**Clementes**

(10) **Patent No.:** **US D697,220 S**  
(45) **Date of Patent:** **\*\* Jan. 7, 2014**

(54) **MESSAGE DEVICE**

(76) Inventor: **Aileen Clementes**, Surrey (CA)

(\*\*) Term: **14 Years**

(21) Appl. No.: **29/430,832**

(22) Filed: **Aug. 30, 2012**

5,382,222 A	1/1995	Yih-Jong	
5,389,063 A	2/1995	Wu	
5,632,721 A	5/1997	Kuan	
D384,161 S *	9/1997	Tseng	D24/215
5,725,483 A	3/1998	Podolsky	
5,843,005 A	12/1998	Chubinsky	
D408,081 S *	4/1999	Chen	D24/211
6,241,696 B1 *	6/2001	York	601/137
2006/0084894 A1	4/2006	Anderson	
2012/0143081 A1	6/2012	Lyu	

\* cited by examiner

**Related U.S. Application Data**

(63) Continuation-in-part of application No. 12/407,735, filed on Mar. 19, 2009, now Pat. No. 8,500,666.

(51) **LOC (10) Cl.** ..... **28-03**

(52) **U.S. Cl.**  
USPC ..... **D24/211**

(58) **Field of Classification Search**  
USPC ..... D24/200, 211, 212, 213, 214, 215;  
601/114, 120, 121, 124, 125, 130, 131,  
601/134, 135, 136, 137

See application file for complete search history.

(56) **References Cited**

**U.S. PATENT DOCUMENTS**

1,710,643 A	4/1929	Hassler	
2,690,746 A	10/1954	Achberger	
2,959,167 A	11/1960	Leclabart	
D249,363 S *	9/1978	Day	D24/211
D285,724 S *	9/1986	Grundler et al.	D24/211
4,744,350 A	5/1988	Sato	
4,798,194 A	1/1989	Amishima	

*Primary Examiner* — Sandra Snapp

(74) *Attorney, Agent, or Firm* — P. Jeff Martin; The Law Firm of P. Jeffrey Martin, LLC

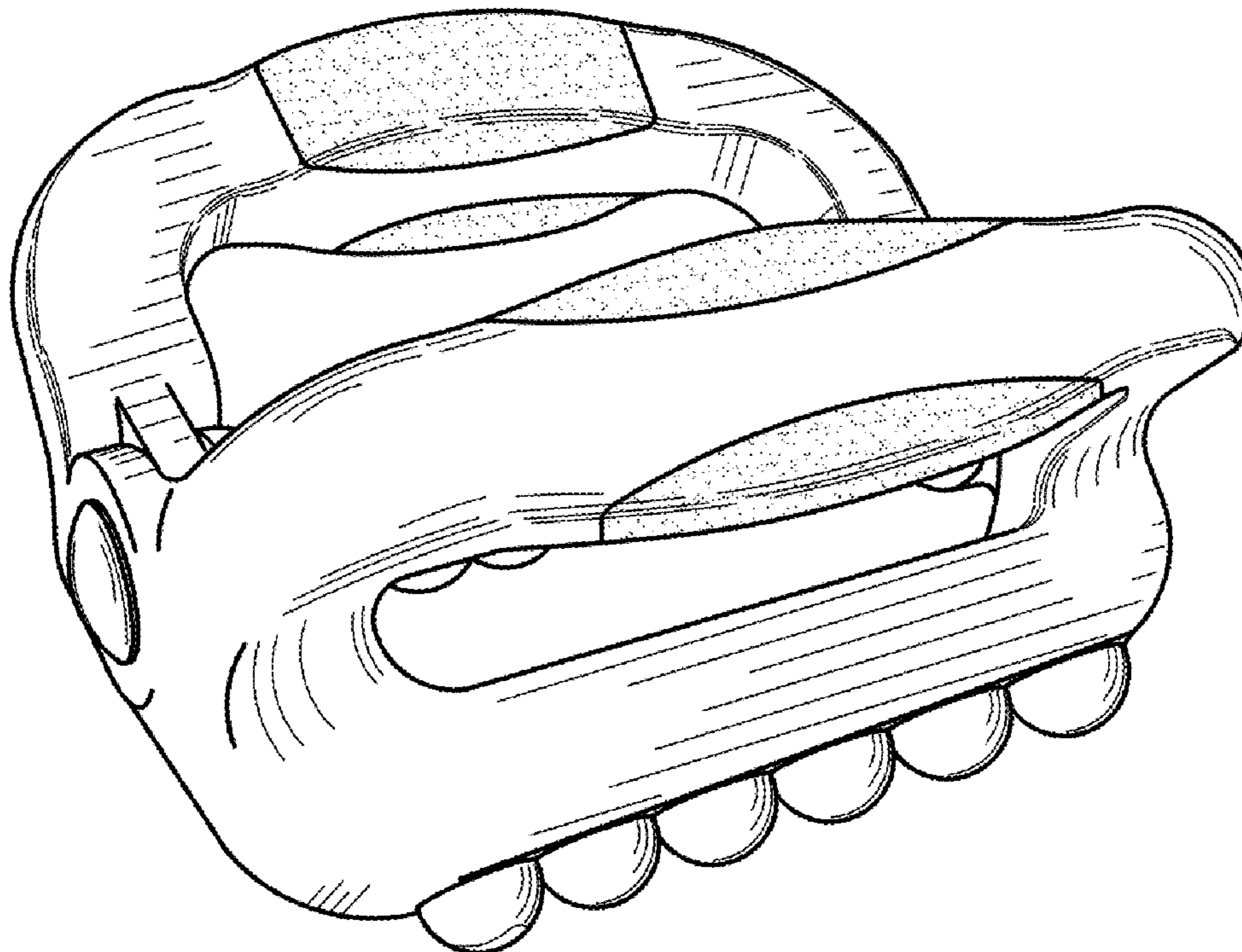
(57) **CLAIM**

The ornamental design for a massage device, as shown and described.

**DESCRIPTION**

FIG. 1 is a top perspective view of a massage device showing my new design;  
FIG. 2 is a bottom perspective view thereof;  
FIG. 3 is a right end view thereof;  
FIG. 4 is a left end view thereof;  
FIG. 5 is a front side view thereof;  
FIG. 6 is a rear side view thereof;  
FIG. 7 is a top plan view thereof; and,  
FIG. 8 is a bottom plan view thereof.

**1 Claim, 3 Drawing Sheets**



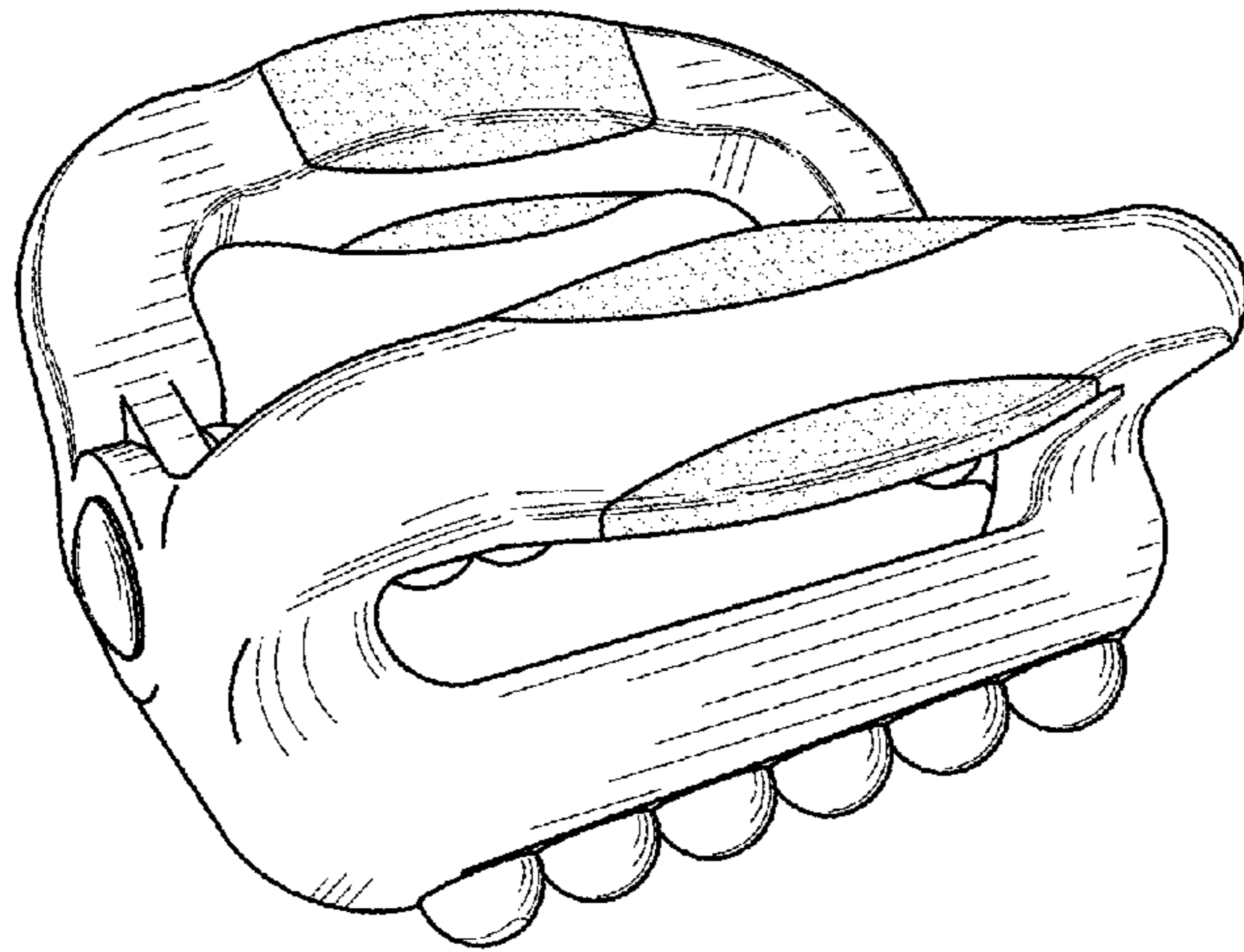


FIG. 1

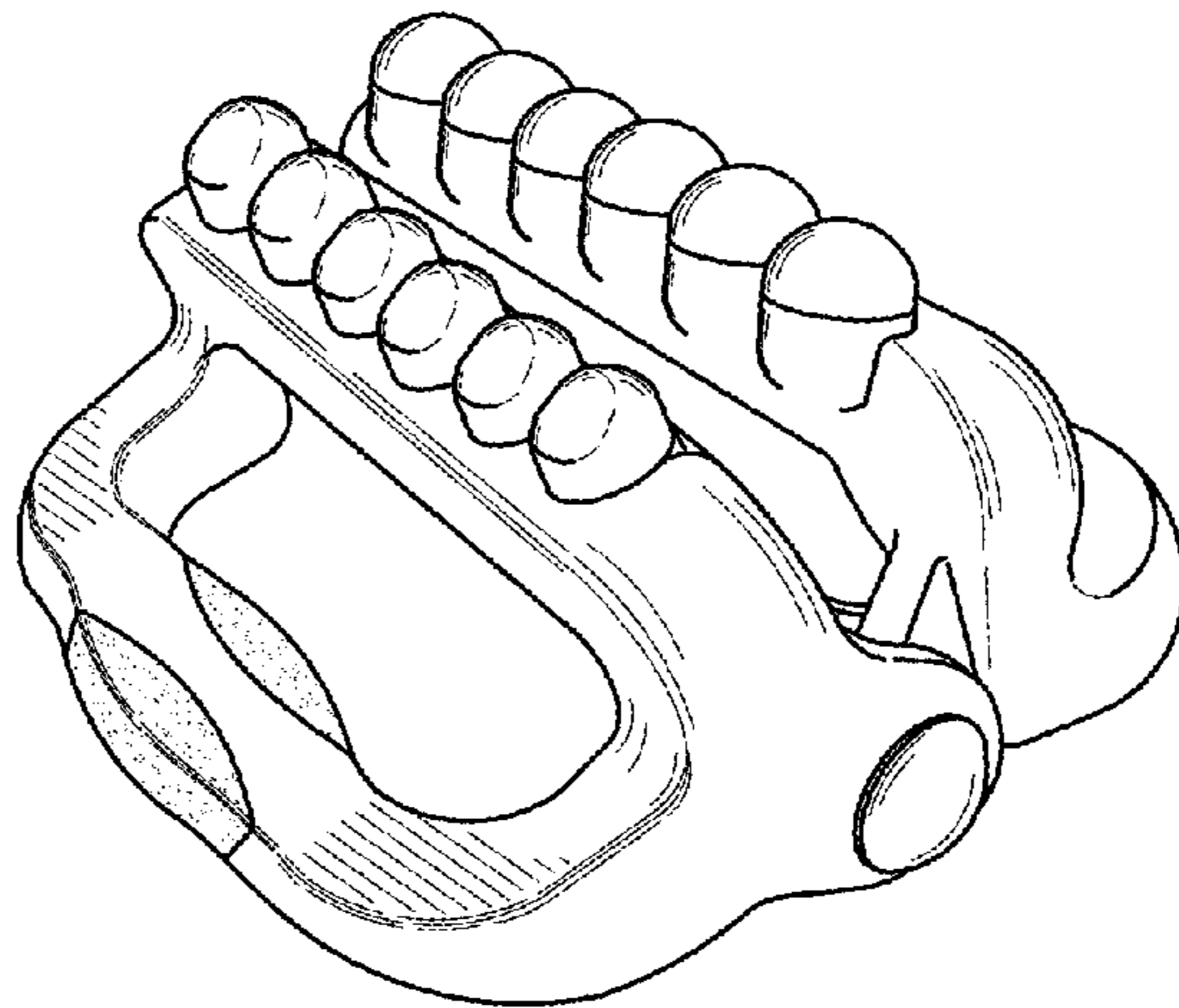


FIG. 2

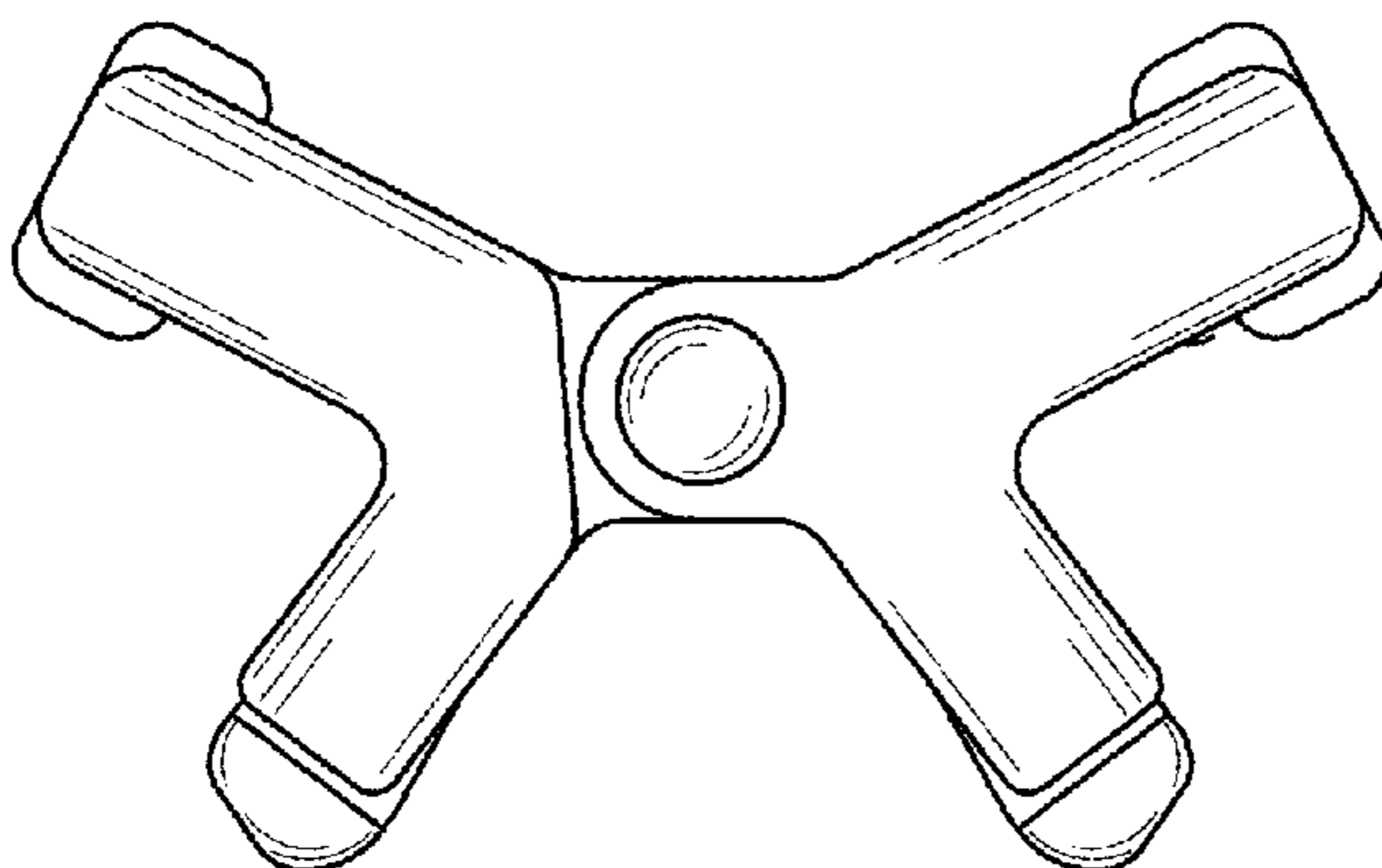


FIG. 3

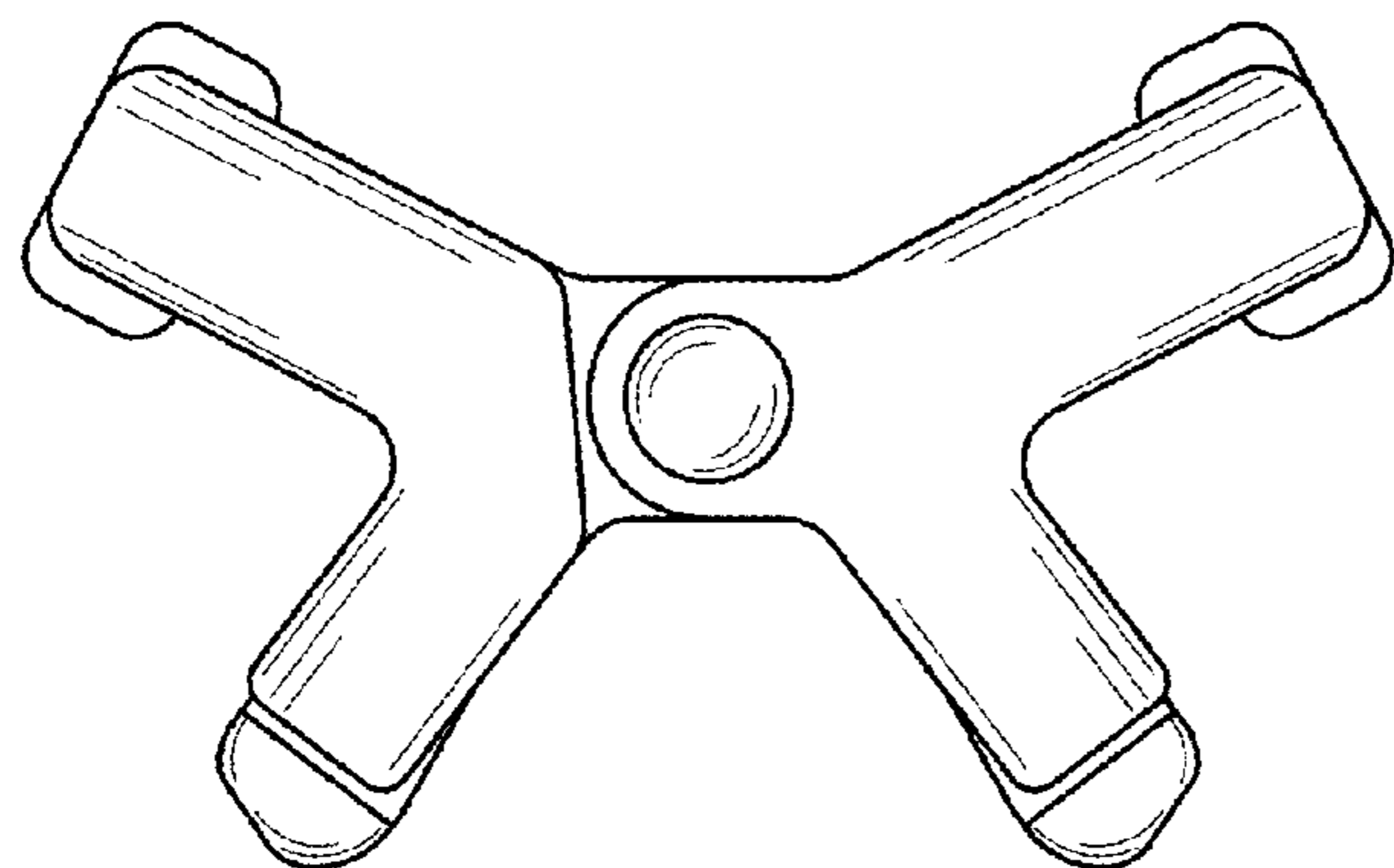


FIG. 4

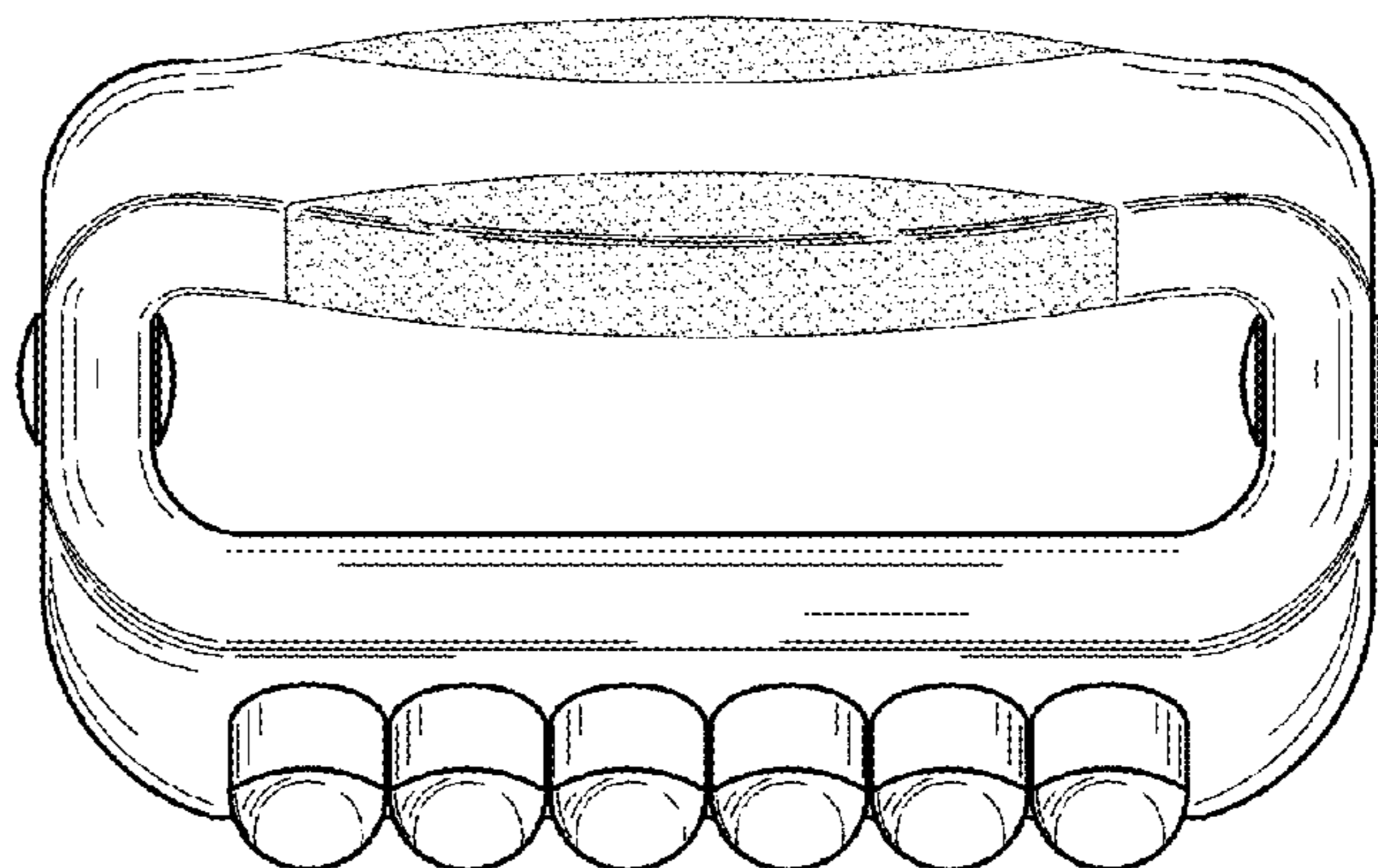


FIG. 5

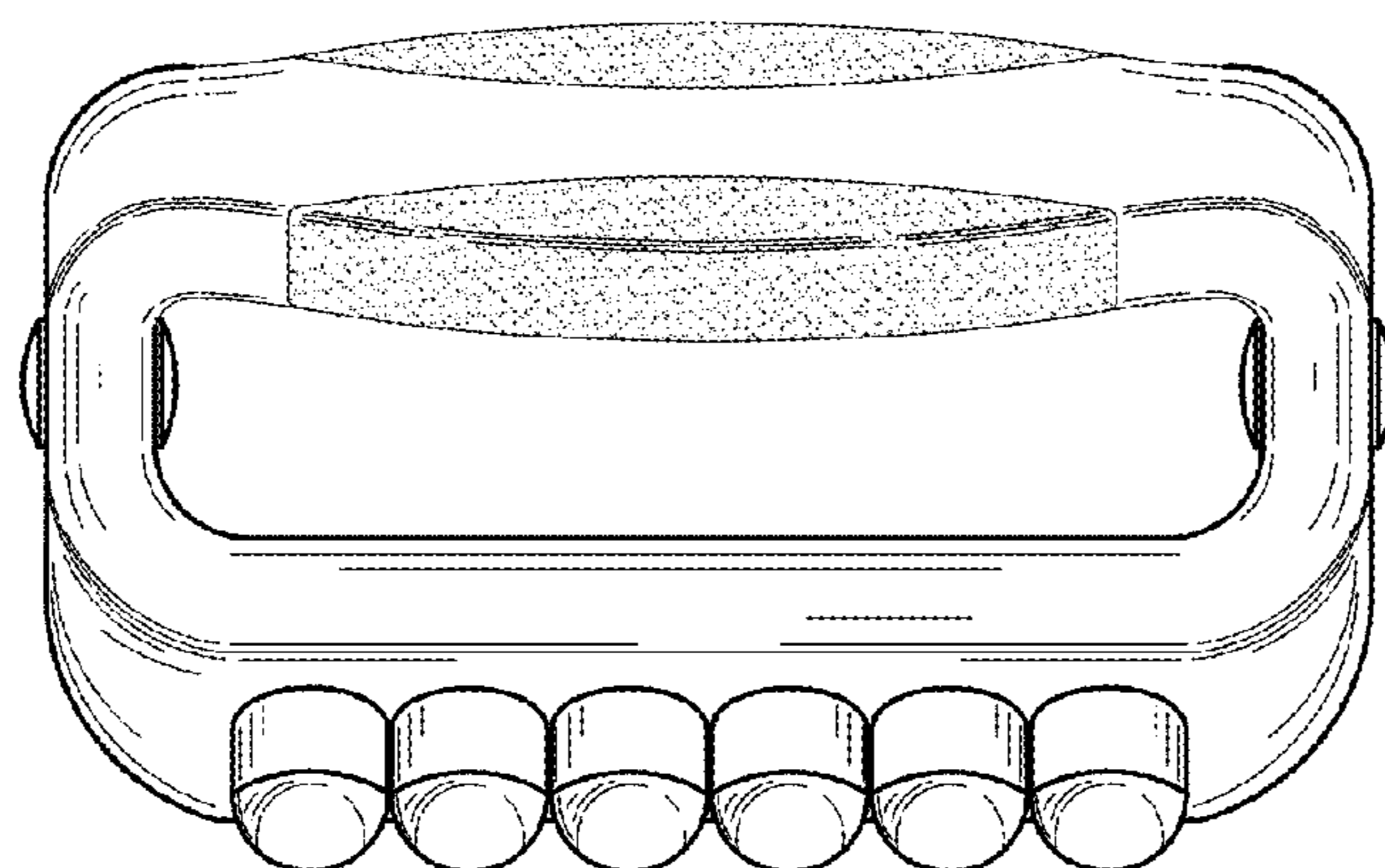


FIG. 6



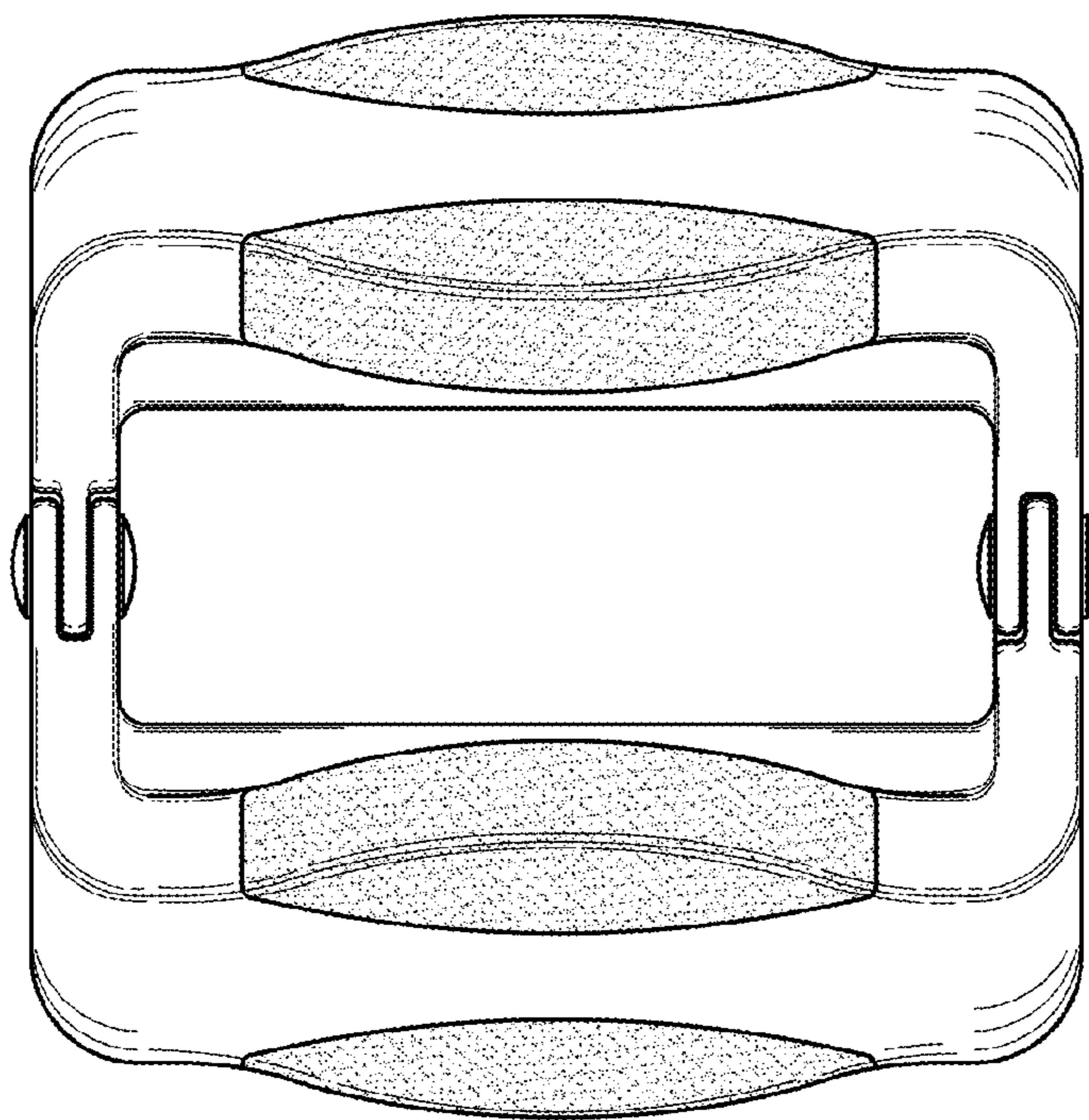


FIG. 7

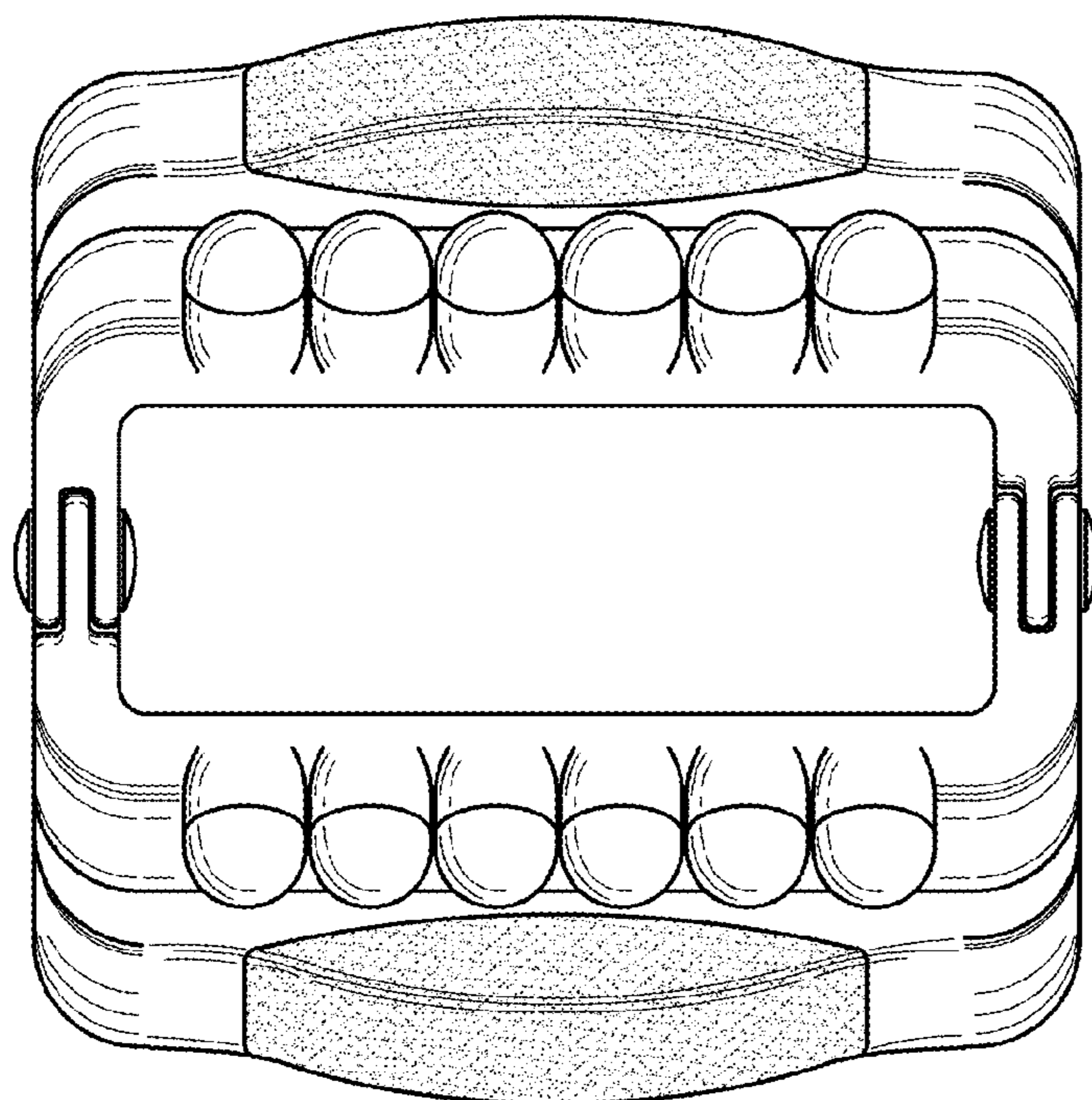


FIG. 8