

US00D697219S

(12) **United States Design Patent**
Nasir

(10) **Patent No.:** **US D697,219 S**
(45) **Date of Patent:** **** Jan. 7, 2014**

- (54) **ARM RESTRAINT FOR A PATIENT**
- (71) Applicant: **Docsinnovent Limited**, London (GB)
- (72) Inventor: **Muhammed Aslam Nasir**, Bedfordshire (GB)
- (73) Assignee: **Docsinnovent Limited** (GB)
- (**) Term: **14 Years**
- (21) Appl. No.: **29/459,875**
- (22) Filed: **Jul. 3, 2013**

Related U.S. Application Data

- (62) Division of application No. 29/400,089, filed on Aug. 23, 2011, now Pat. No. Des. 686,737.

(30) **Foreign Application Priority Data**

- Feb. 23, 2011 (EM) 001825126-0001
- Feb. 23, 2011 (EM) 001825126-0002
- Feb. 23, 2011 (EM) 001825126-0003

- (51) **LOC (10) Cl.** **24-01**

- (52) **U.S. Cl.**
USPC **D24/190**

- (58) **Field of Classification Search**
USPC D24/190, 192; D29/100, 113-114, D29/120.1-120.2; D21/662, 683, 684; 128/869, 876-881; 473/212-215, 217, 473/450, 458; 602/26, 27, 62
See application file for complete search history.

(56) **References Cited**

U.S. PATENT DOCUMENTS

- 1,414,012 A 4/1922 Flint
- 1,418,637 A 6/1922 Swift
- 2,468,580 A * 4/1949 Weis et al. 473/214

- 2,693,794 A 11/1954 Vernon
- 3,036,831 A * 5/1962 Engan 473/63
- 3,640,273 A * 2/1972 Ray 602/5
- D230,894 S 3/1974 Lehneis
- 4,014,327 A 3/1977 Spiro
- D245,429 S 8/1977 Arluck
- 4,239,228 A 12/1980 Norman et al.
- 4,254,766 A * 3/1981 Kordis 602/5
- 4,286,588 A * 9/1981 Lovegrove 128/877
- 4,414,969 A 11/1983 Heyman
- 4,765,279 A 8/1988 Klickstein
- 4,896,887 A * 1/1990 Cable 473/212
- 4,911,728 A 3/1990 Rigel
- 4,941,460 A * 7/1990 Working 602/21
- 4,977,890 A * 12/1990 Mann 602/21
- 5,007,415 A 4/1991 Marion
- 5,016,885 A 5/1991 Quigley
- 5,248,146 A * 9/1993 Viets et al. 473/206
- 5,263,497 A 11/1993 Grabenkort et al.

(Continued)

Primary Examiner — Susan E Krakower

(74) *Attorney, Agent, or Firm* — Belles Katz LLC

(57) **CLAIM**

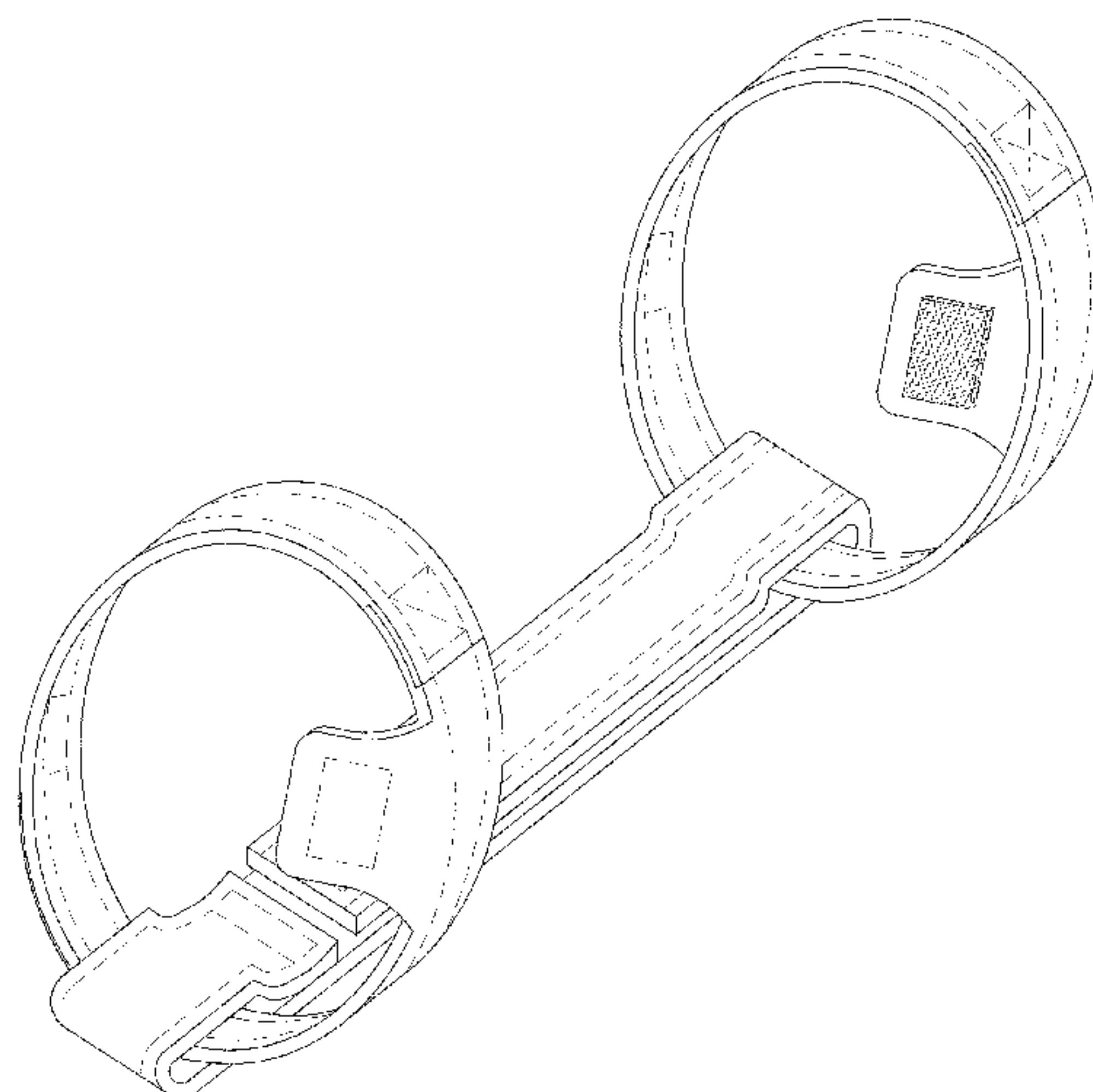
The ornamental design for an arm restraint for a patient, as shown and described.

DESCRIPTION

FIG. 1 is a top, front isometric view of an arm restraint for a patient according to the new design, wherein the straps extending from the loops are mirror images of one another; FIG. 2 is a front view thereof; FIG. 3 is a rear view thereof; FIG. 4 is a top view thereof; FIG. 5 is a bottom side view thereof; FIG. 6 is a right side view thereof; and, FIG. 7 is a left side view thereof.

The broken lines shown in the drawings illustrate a disclaimed stitching pattern that forms no part of the churned design. The stippled portions indicate fastener elements.

1 Claim, 7 Drawing Sheets



(56)

References Cited

U.S. PATENT DOCUMENTS

D352,572 S * 11/1994 Pustizzi, Jr. D29/120.2
5,435,563 A * 7/1995 Salvatore 473/215
5,456,650 A * 10/1995 Williams et al. 482/47
6,350,206 B1 * 2/2002 Lambert, II 473/205

D629,913 S * 12/2010 Beckwith et al. D24/192
7,897,857 B2 * 3/2011 Lockwood 84/280
D664,612 S * 7/2012 Pinskiy et al. D21/662
D686,737 S * 7/2013 Nasir D24/190
2007/0000500 A1 * 1/2007 Richard 128/869
2008/0116239 A1 * 5/2008 Lu 224/575

* cited by examiner

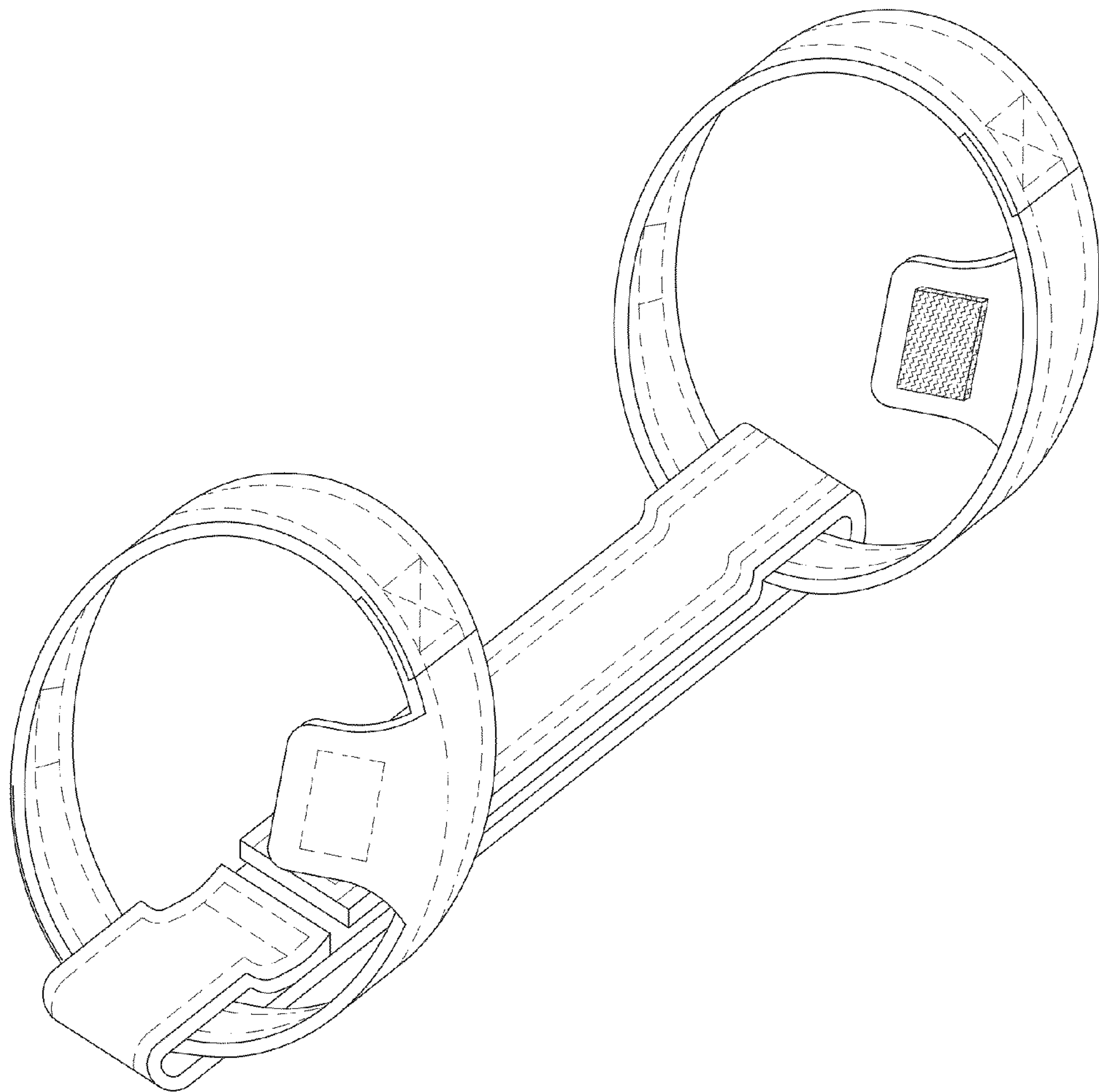


FIGURE 1

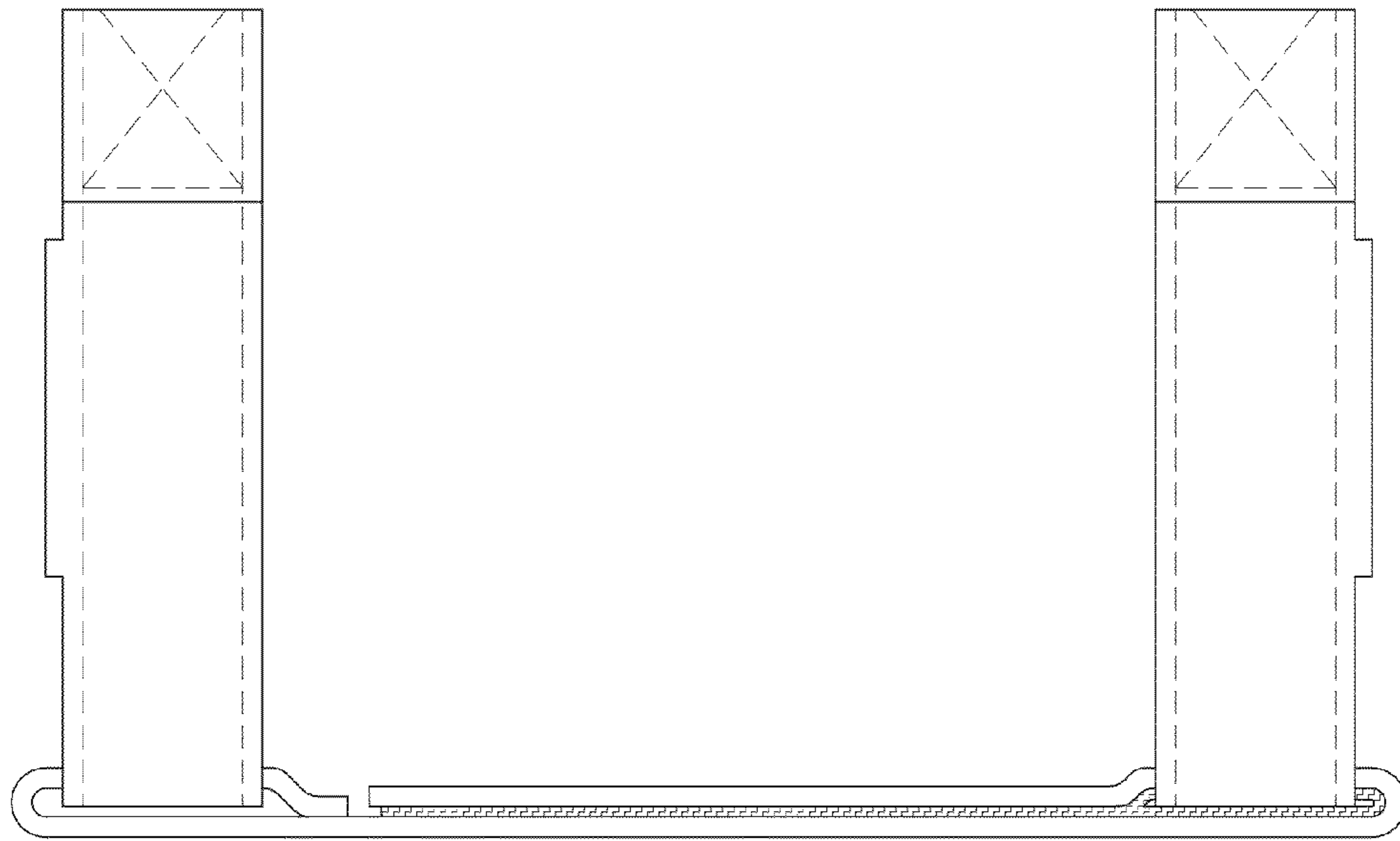


FIGURE 2

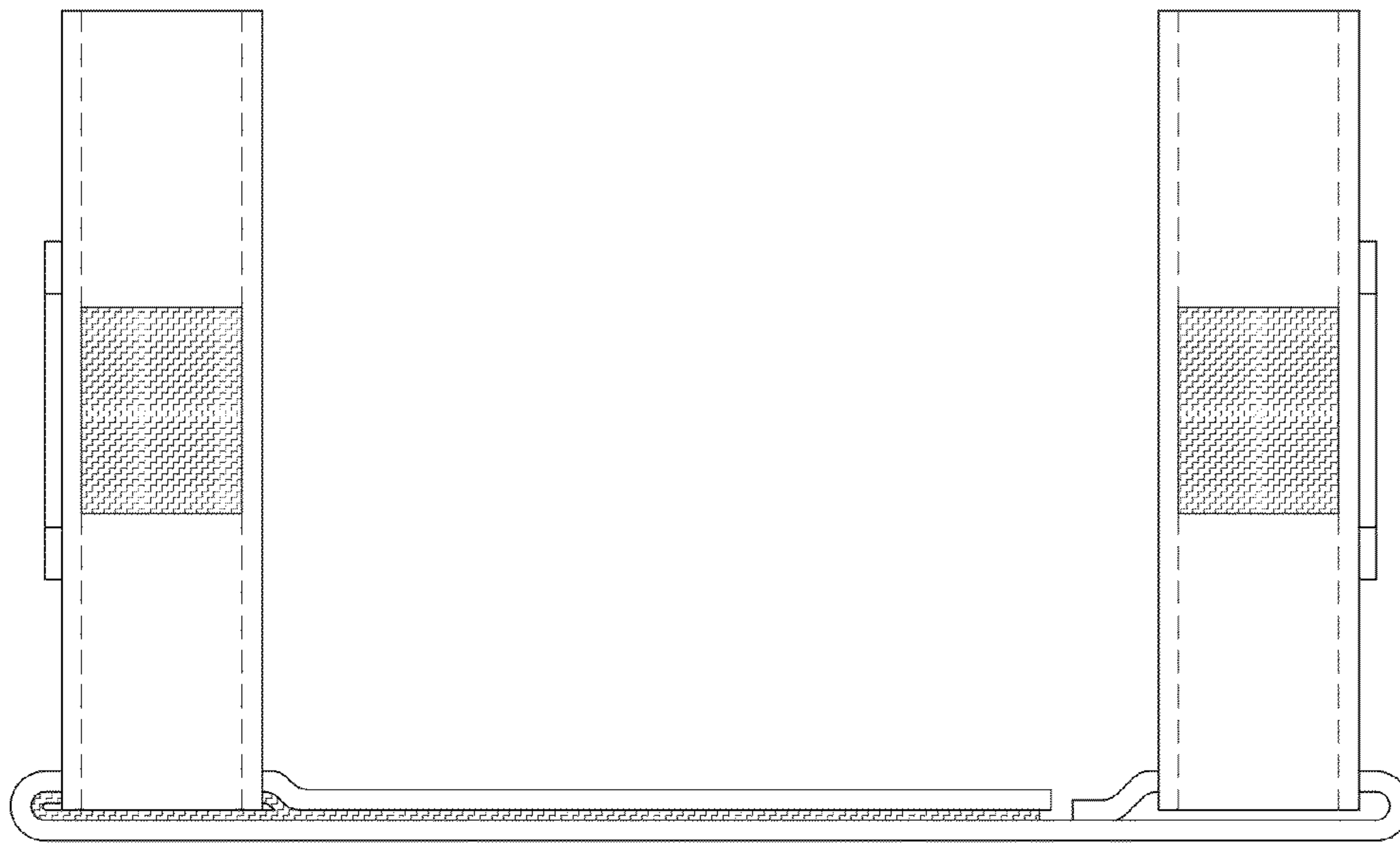


FIGURE 3

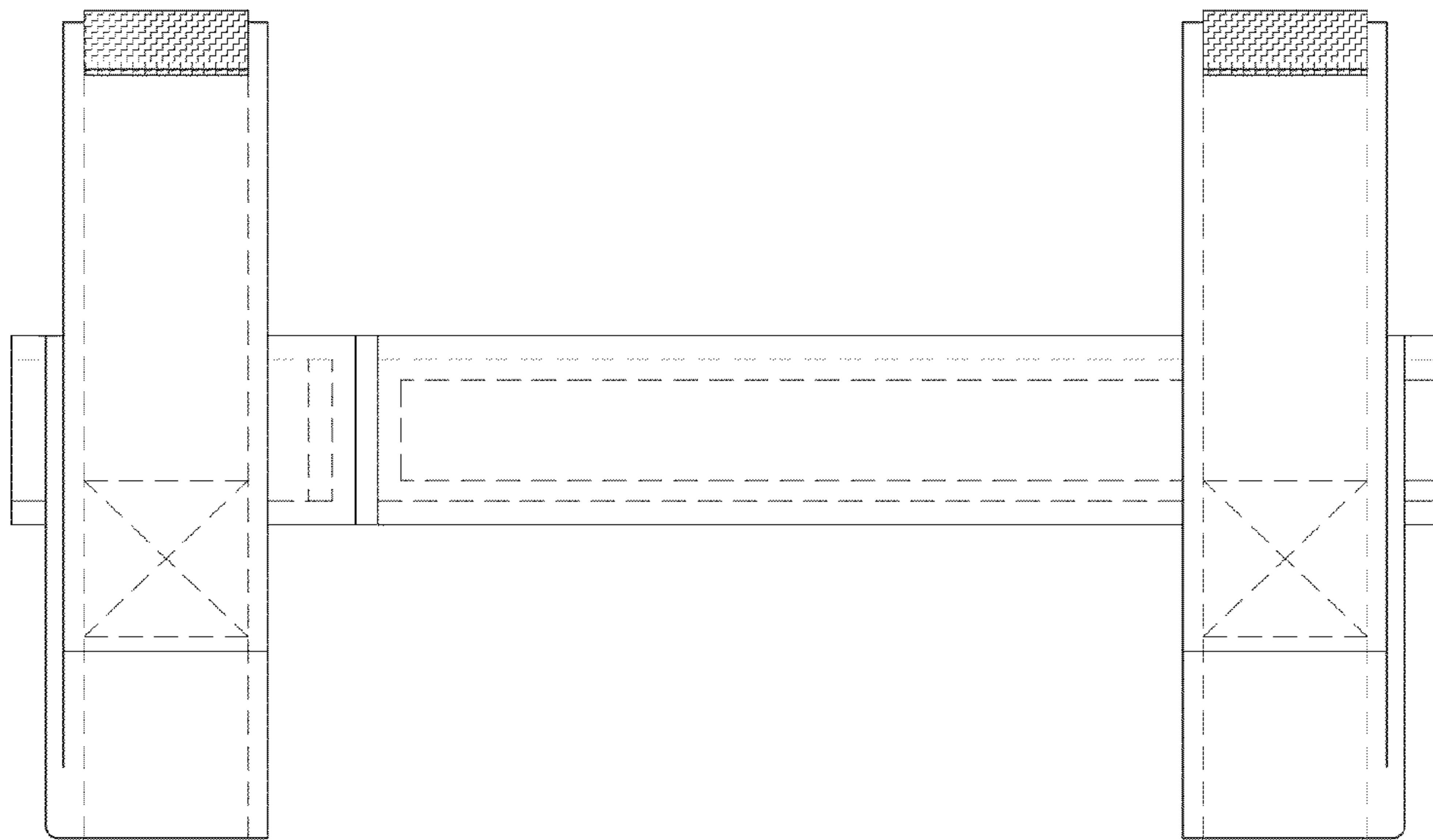


FIGURE 4

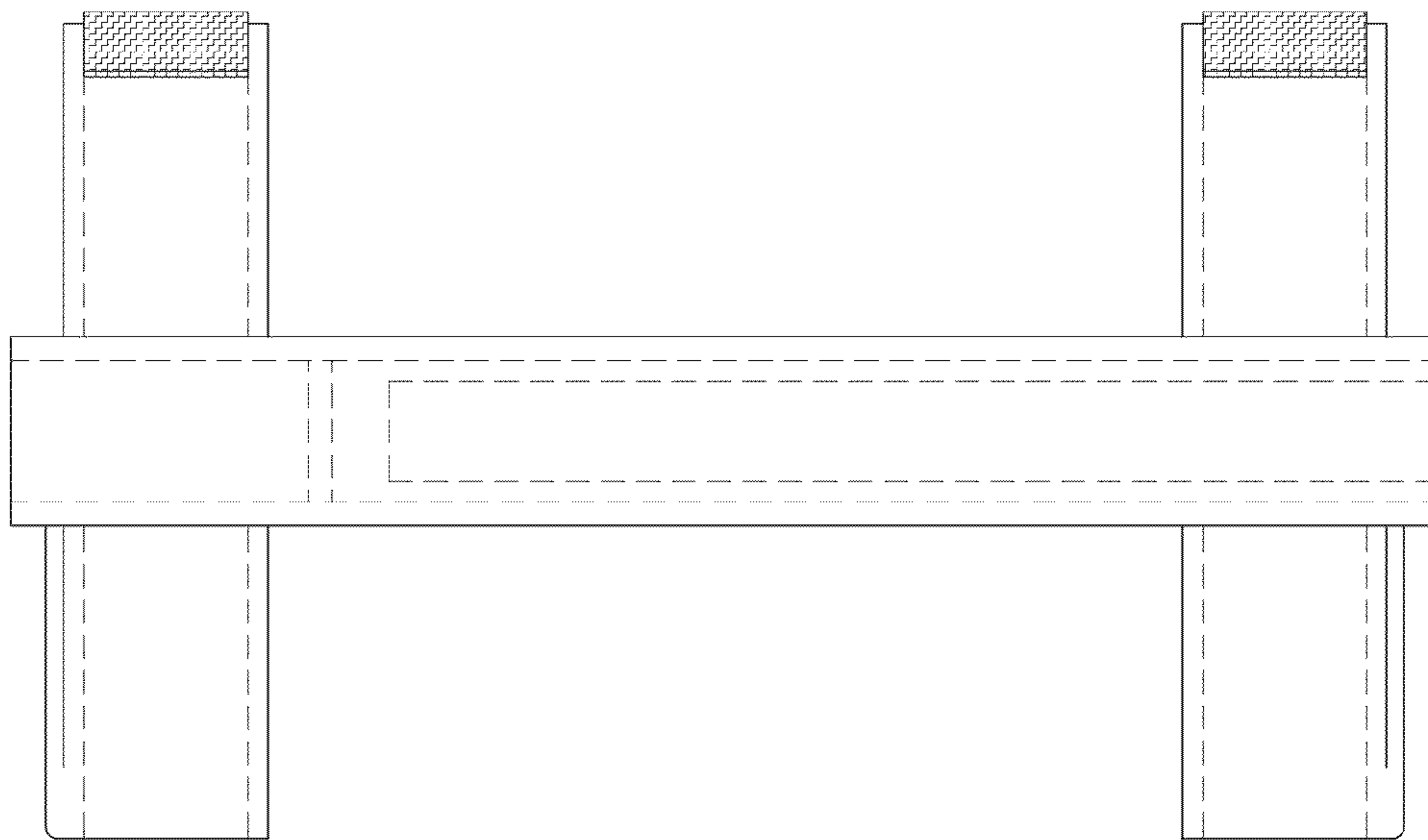


FIGURE 5

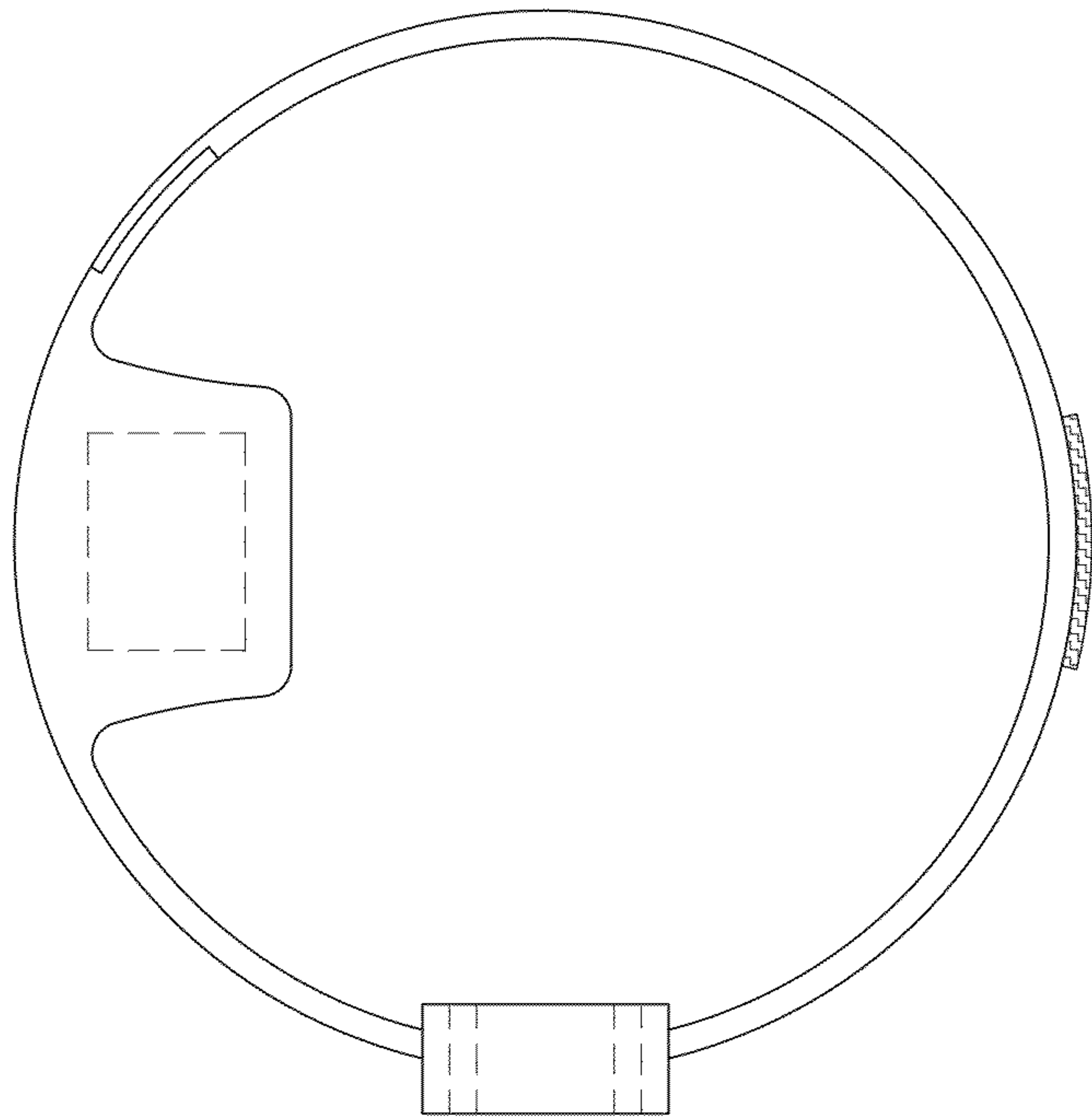


FIGURE 6

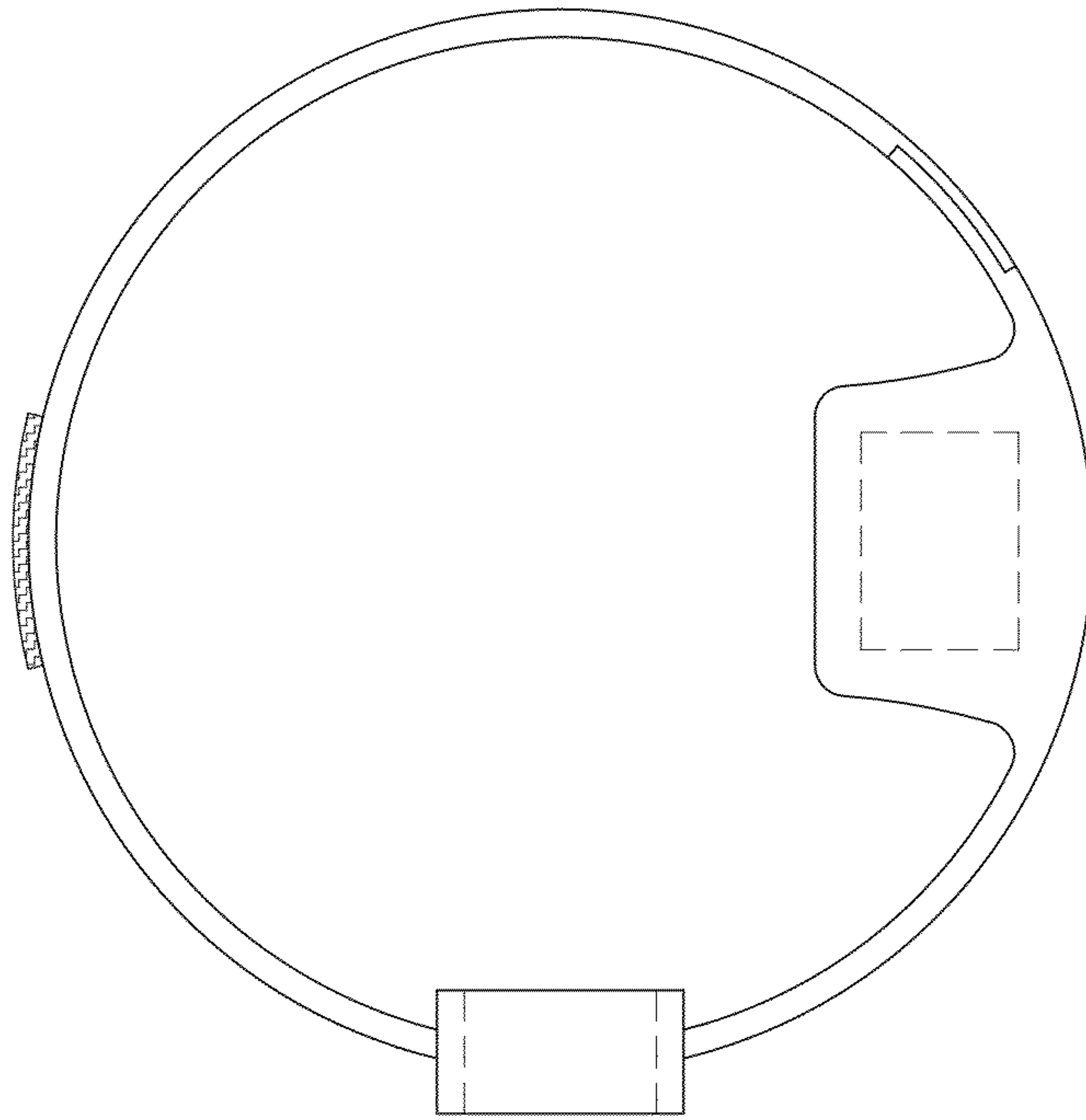


FIGURE 7