



US00D697218S

(12) **United States Design Patent**  
**Nasir**

(10) **Patent No.:** **US D697,218 S**  
(45) **Date of Patent:** **\*\* Jan. 7, 2014**

- (54) **ARM RESTRAINT FOR A PATIENT**
- (71) Applicant: **Docsinnovent Limited**, London (GB)
- (72) Inventor: **Muhammed Aslam Nasir**, Bedfordshire (GB)
- (73) Assignee: **Docsinnovent Limited** (GB)
- (\*\*) Term: **14 Years**
- (21) Appl. No.: **29/459,873**
- (22) Filed: **Jul. 3, 2013**

**Related U.S. Application Data**

- (62) Division of application No. 29/400,089, filed on Aug. 23, 2011, now Pat. No. Des. 686,737.

(30) **Foreign Application Priority Data**

- Feb. 23, 2011 (EM) ..... 001825126-0001
- Feb. 23, 2011 (EM) ..... 001825126-0002
- Feb. 23, 2011 (EM) ..... 001825126-0003

- (51) **LOC (10) Cl.** ..... **24-01**

- (52) **U.S. Cl.**  
USPC ..... **D24/190**

- (58) **Field of Classification Search**  
USPC ..... D24/190, 192; D29/100, 113-114,  
D29/120.1-120.2; D21/662, 683, 684;  
128/869, 876-881; 473/212-215, 217,  
473/450, 458; 602/26, 27, 62  
See application file for complete search history.

(56) **References Cited**

**U.S. PATENT DOCUMENTS**

- 1,414,012 A 4/1922 Flint
- 1,418,637 A 6/1922 Swift
- 2,468,580 A \* 4/1949 Weis et al. .... 473/214
- 2,693,794 A 11/1954 Vernon

- 3,036,831 A \* 5/1962 Engan ..... 473/63
- 3,640,273 A \* 2/1972 Ray ..... 602/5
- D230,894 S 3/1974 Lehneis
- 4,014,327 A 3/1977 Spiro
- D245,429 S 8/1977 Arluck
- 4,239,228 A 12/1980 Norman et al.
- 4,254,766 A \* 3/1981 Kordis ..... 602/5
- 4,286,588 A \* 9/1981 Lovegrove ..... 128/877
- 4,414,969 A 11/1983 Heyman
- 4,765,279 A 8/1988 Klickstein
- 4,896,887 A \* 1/1990 Cable ..... 473/212
- 4,911,728 A 3/1990 Rigel
- 4,941,460 A \* 7/1990 Working ..... 602/21
- 4,977,890 A \* 12/1990 Mann ..... 602/21
- 5,007,415 A 4/1991 Marion
- 5,016,885 A 5/1991 Quigley
- 5,248,146 A \* 9/1993 Viets et al. .... 473/206
- 5,263,497 A 11/1993 Grabenkort et al.
- D352,572 S \* 11/1994 Pustizzi, Jr. .... D29/120.2

(Continued)

*Primary Examiner* — Susan E Krakower

(74) *Attorney, Agent, or Firm* — Belles Katz LLC

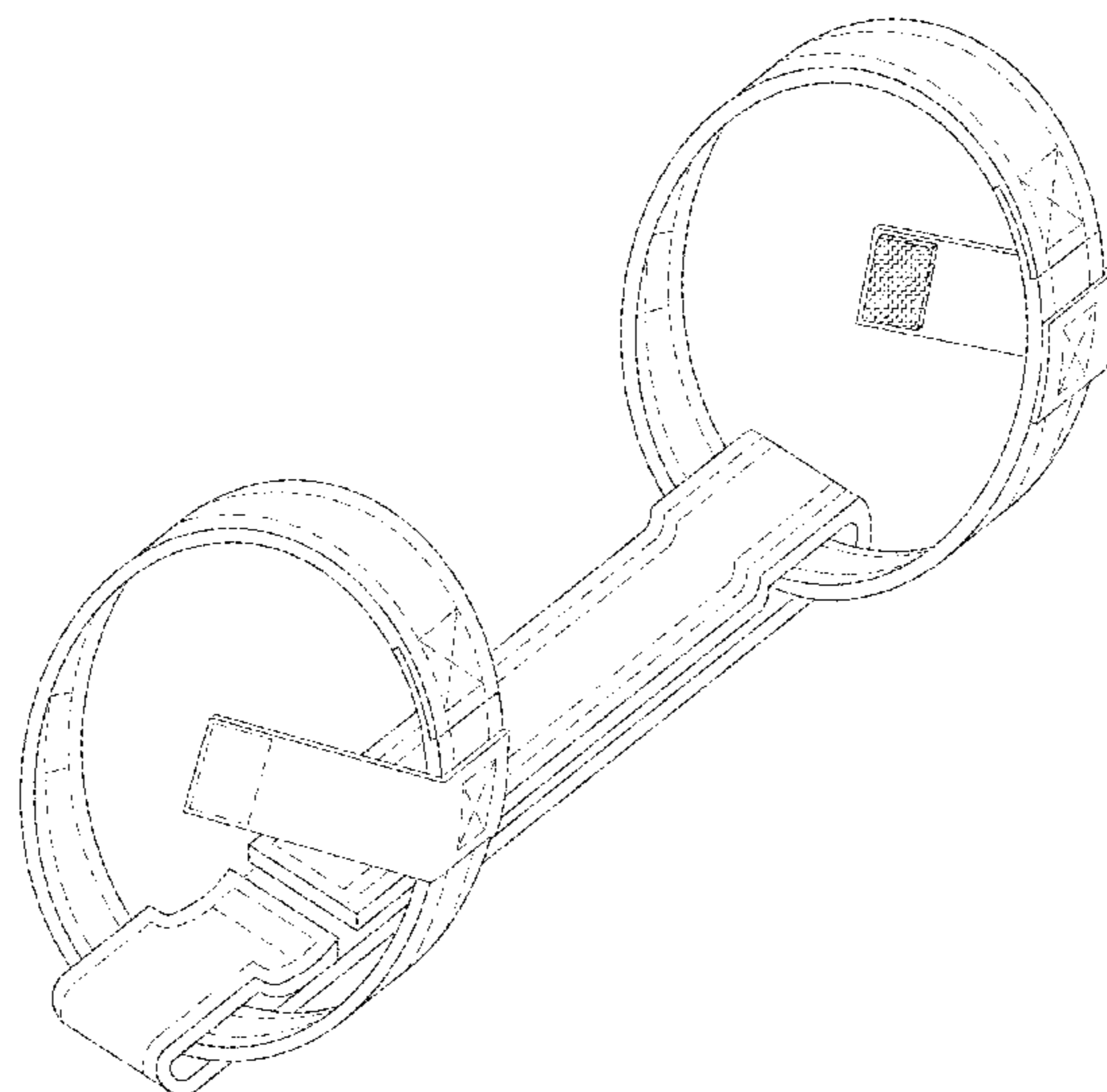
(57) **CLAIM**

The ornamental design for an arm restraint for a patient, as shown and described.

**DESCRIPTION**

FIG. 1 is a top, front isometric view of an arm restraint for a patient according to the new design, wherein the straps extending from the loops are mirror images of one another; FIG. 2 is a front view thereof; FIG. 3 is a rear view thereof; FIG. 4 is a top view thereof; FIG. 5 is a bottom side view thereof; FIG. 6 is a right side view thereof; and, FIG. 7 is a left side view thereof. The broken lines shown in the drawings illustrate a disclaimed stitching pattern that forms no part of the churned design.

**1 Claim, 7 Drawing Sheets**



# US D697,218 S

Page 2

---

(56)

## References Cited

### U.S. PATENT DOCUMENTS

5,435,563	A *	7/1995	Salvatore	.....	473/215	7,897,857	B2 *	3/2011	Lockwood	.....	84/280
5,456,650	A *	10/1995	Williams et al.	.....	482/47	D664,612	S *	7/2012	Pinskiy et al.	.....	D21/662
6,350,206	B1 *	2/2002	Lambert, II	.....	473/205	D686,737	S *	7/2013	Nasir	.....	D24/190
D629,913	S *	12/2010	Beckwith et al.	.....	D24/192	2007/0000500	A1 *	1/2007	Richard	.....	128/869
						2008/0116239	A1 *	5/2008	Lu	.....	224/575

\* cited by examiner

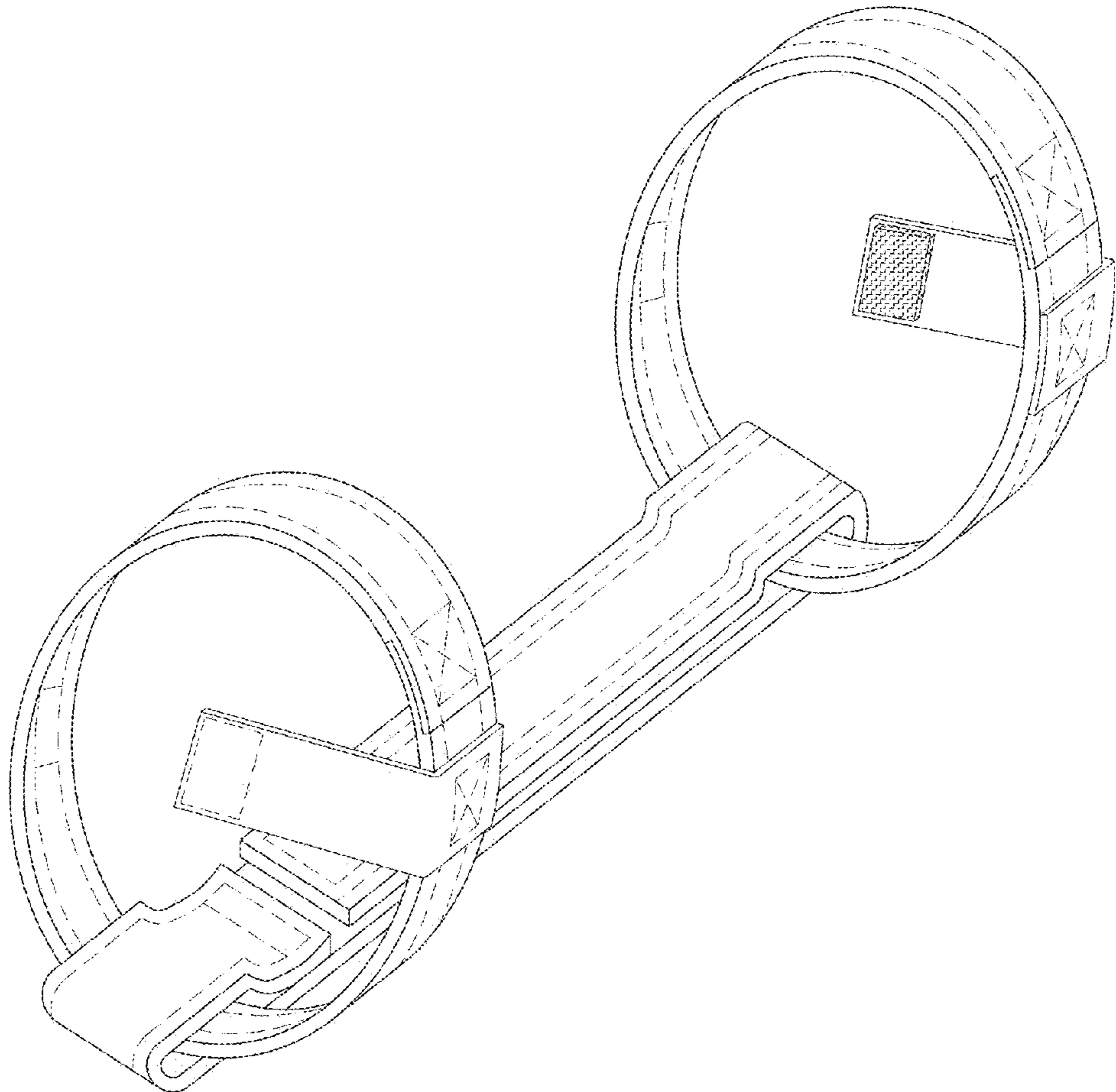


FIGURE 1

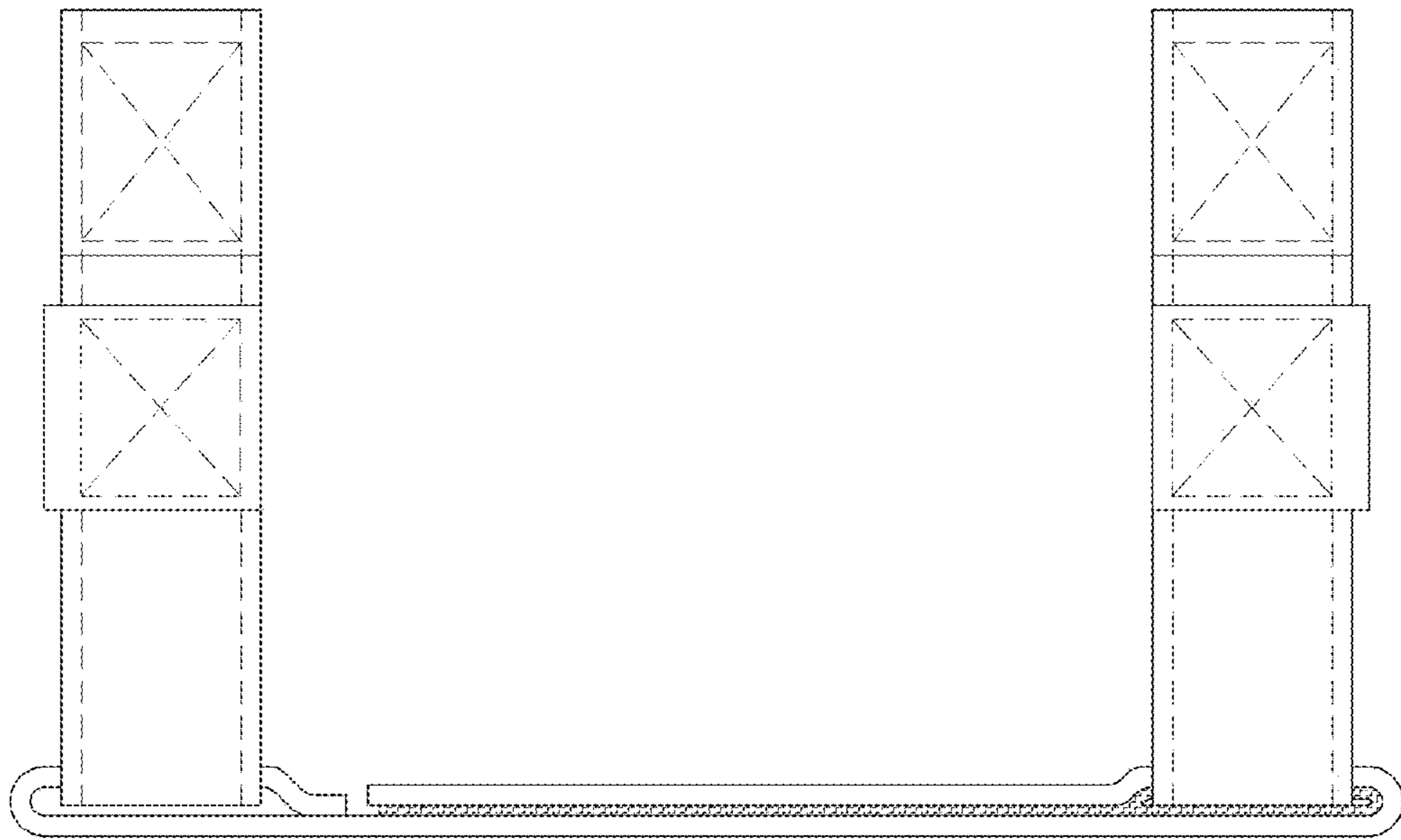


FIGURE 2

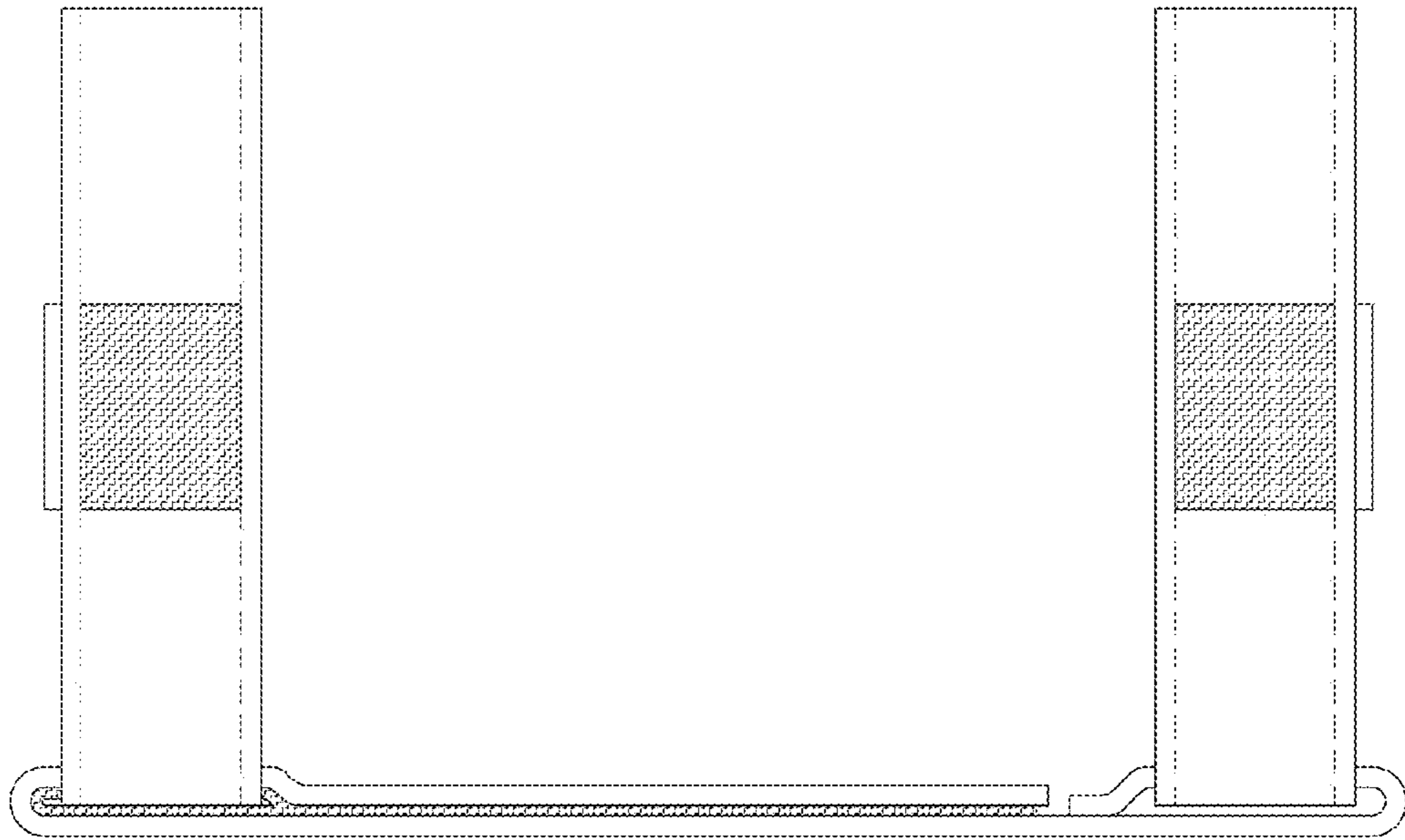


FIGURE 3

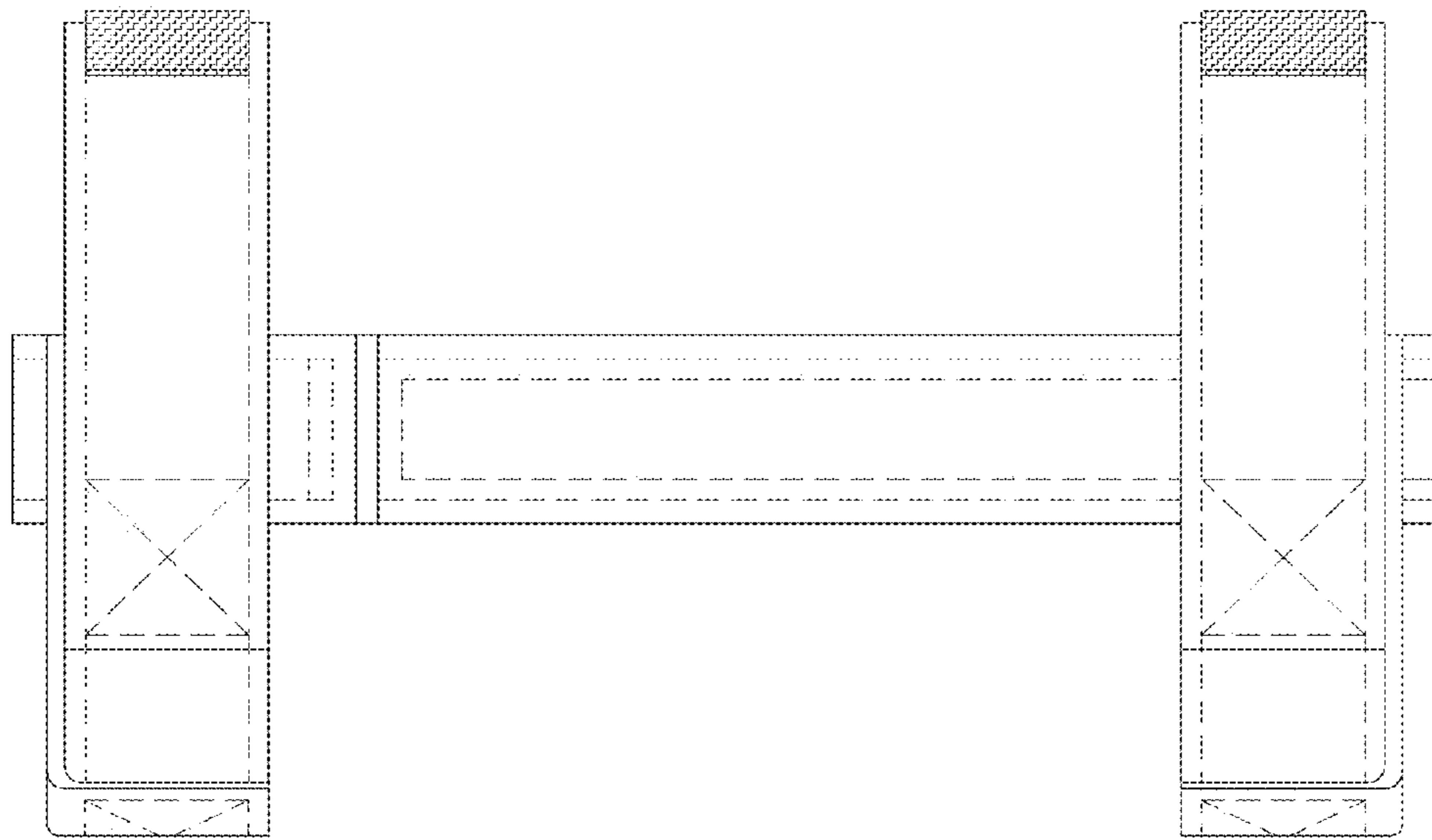


FIGURE 4

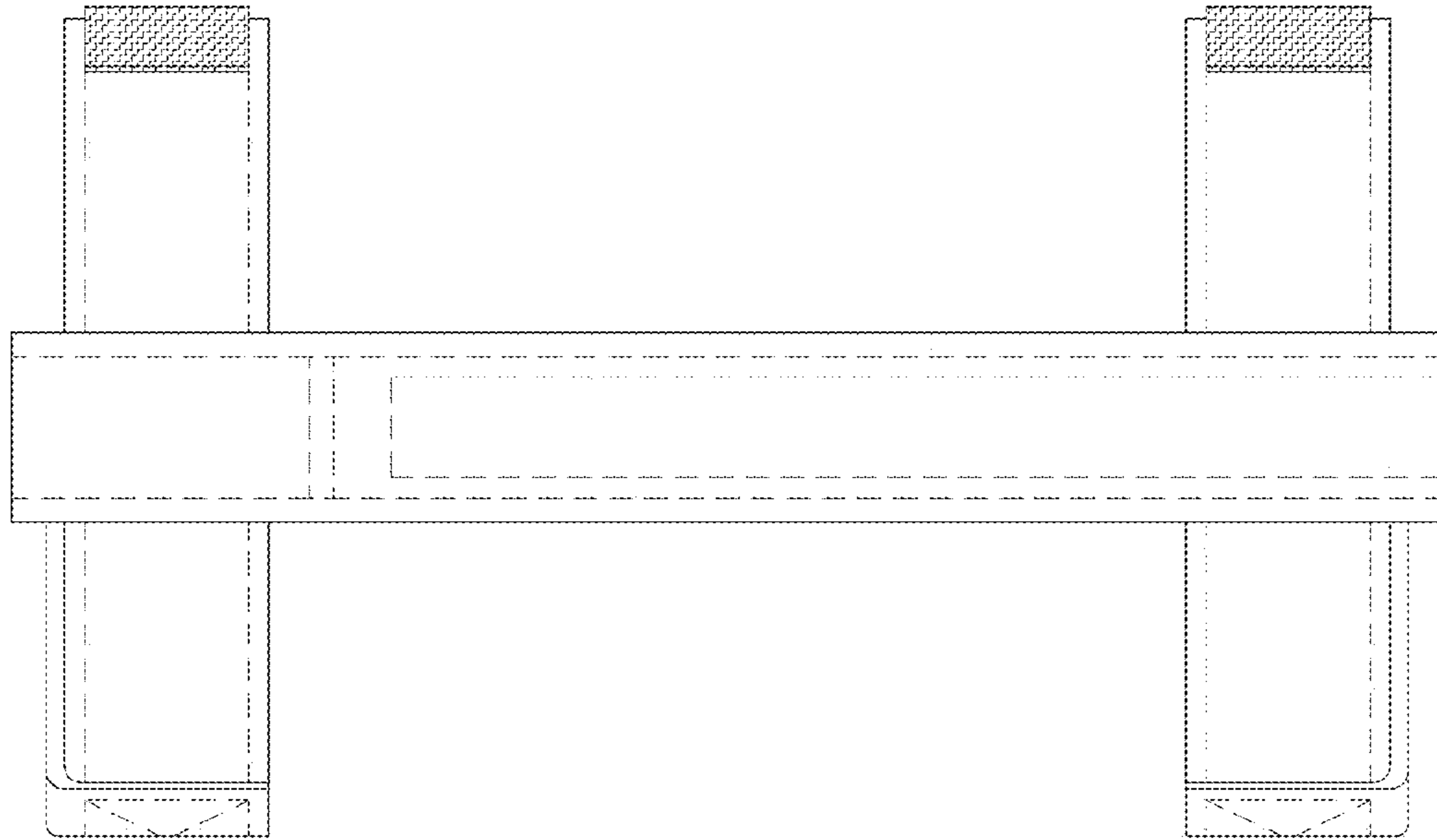


FIGURE 5



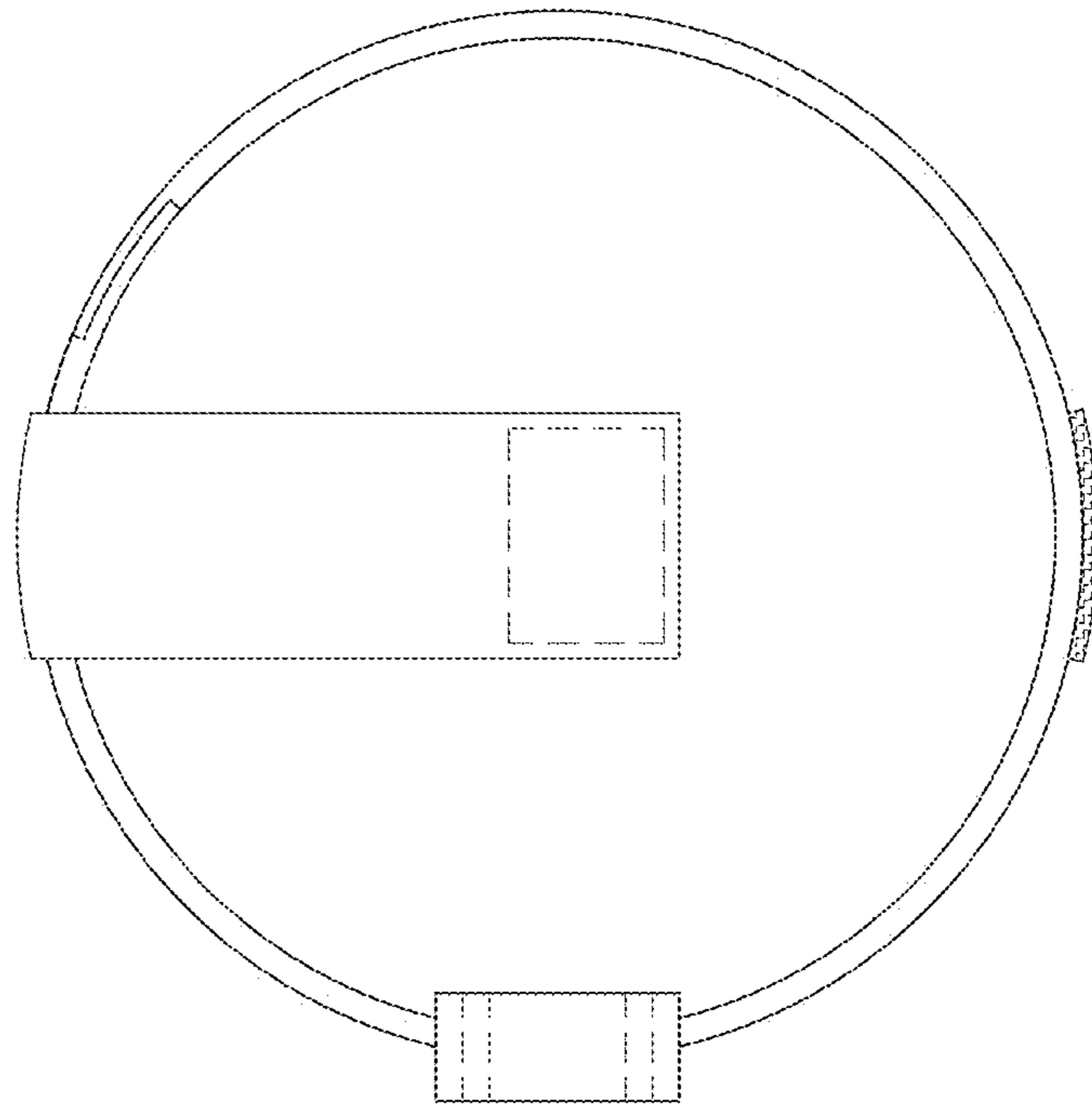


FIGURE 6



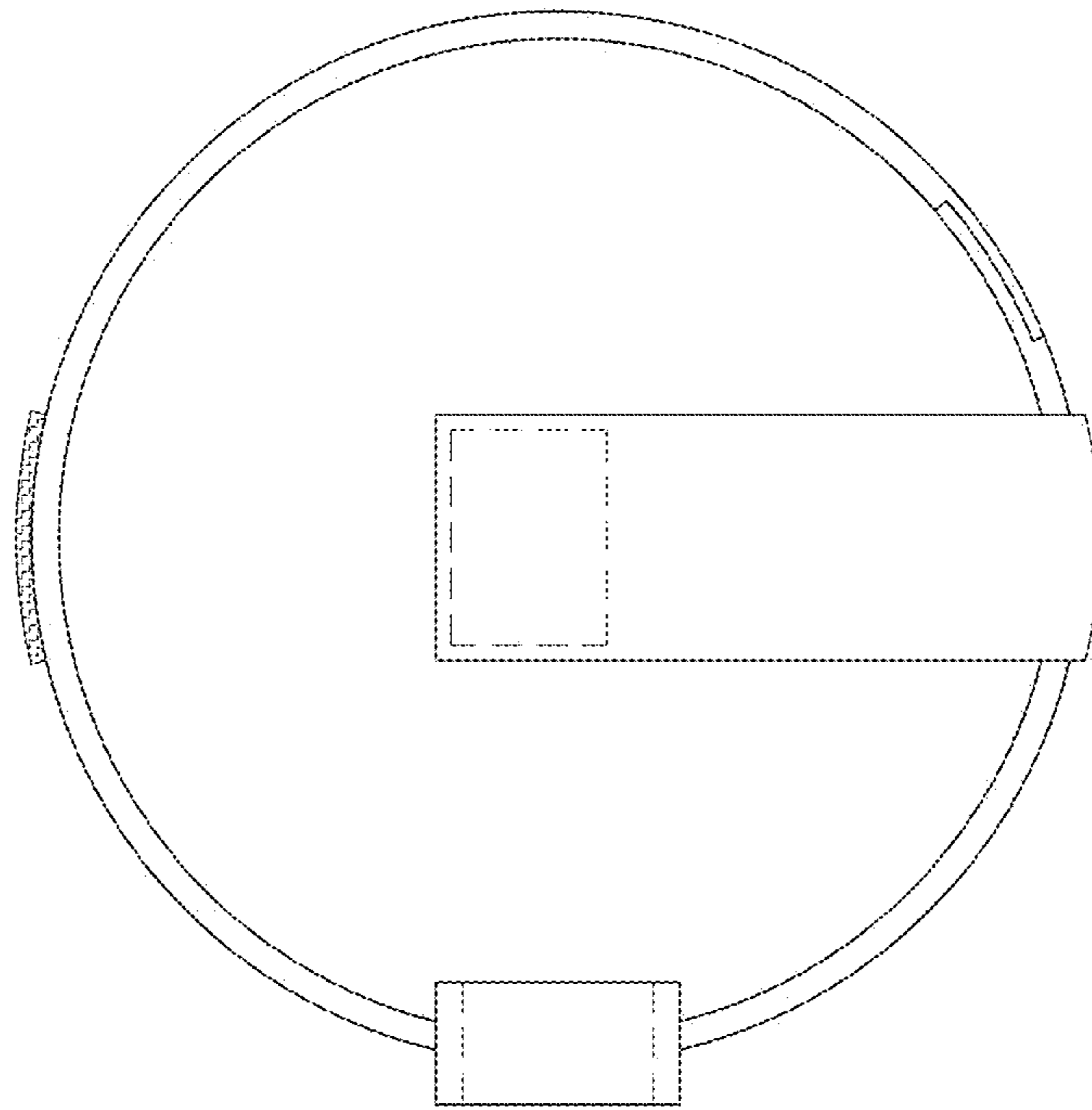


FIGURE 7