



US00D697217S

(12) **United States Design Patent**  
**Nasir**

(10) **Patent No.:** **US D697,217 S**  
(45) **Date of Patent:** **\*\* Jan. 7, 2014**

(54) **ARM RESTRAINT FOR A PATIENT**

(71) Applicant: **Docsinnovent Limited**, London (GB)

(72) Inventor: **Muhammed Aslam Nasir**, Bedfordshire (GB)

(73) Assignee: **Docsinnovent Limited** (GB)

(\*\*) Term: **14 Years**

(21) Appl. No.: **29/459,872**

(22) Filed: **Jul. 3, 2013**

**Related U.S. Application Data**

(62) Division of application No. 29/400,089, filed on Aug. 23, 2011, now Pat. No. Des. 686,737.

(30) **Foreign Application Priority Data**

Feb. 23, 2011 (EM) ..... 001825126-0001  
Feb. 23, 2011 (EM) ..... 001825126-0002  
Feb. 23, 2011 (EM) ..... 001825126-0003

(51) **LOC (10) Cl.** ..... **24-01**

(52) **U.S. Cl.**  
USPC ..... **D24/190**

(58) **Field of Classification Search**  
USPC ..... D24/190, 192; D29/100, 113-114,  
D29/120.1-120.2; D21/662, 683, 684;  
128/869, 876-881; 473/212-215, 217,  
473/450, 458; 602/26, 27, 62  
See application file for complete search history.

(56) **References Cited**

**U.S. PATENT DOCUMENTS**

1,414,012 A 4/1922 Flint  
1,418,637 A 6/1922 Swift  
2,468,580 A \* 4/1949 Weis et al. .... 473/214  
2,693,794 A 11/1954 Vernon

3,036,831 A \* 5/1962 Engan ..... 473/63  
3,640,273 A \* 2/1972 Ray ..... 602/5  
D230,894 S 3/1974 Lehneis  
4,014,327 A 3/1977 Spiro  
D245,429 S 8/1977 Arluck  
4,239,228 A 12/1980 Norman et al.  
4,254,766 A \* 3/1981 Kordis ..... 602/5  
4,286,588 A \* 9/1981 Lovegrove ..... 128/877  
4,414,969 A 11/1983 Heyman  
4,765,279 A 8/1988 Klickstein  
4,896,887 A \* 1/1990 Cable ..... 473/212  
4,911,728 A 3/1990 Rigel  
4,941,460 A \* 7/1990 Working ..... 602/21  
4,977,890 A \* 12/1990 Mann ..... 602/21  
5,007,415 A 4/1991 Marion  
5,016,885 A 5/1991 Quigley  
5,248,146 A \* 9/1993 Viets et al. .... 473/206  
5,263,497 A 11/1993 Grabenkort et al.  
D352,572 S \* 11/1994 Pustizzi, Jr. .... D29/120.2  
5,435,563 A \* 7/1995 Salvatore ..... 473/215  
5,456,650 A \* 10/1995 Williams et al. .... 482/47

(Continued)

*Primary Examiner* — Susan E Krakower

(74) *Attorney, Agent, or Firm* — Belles Katz LLC

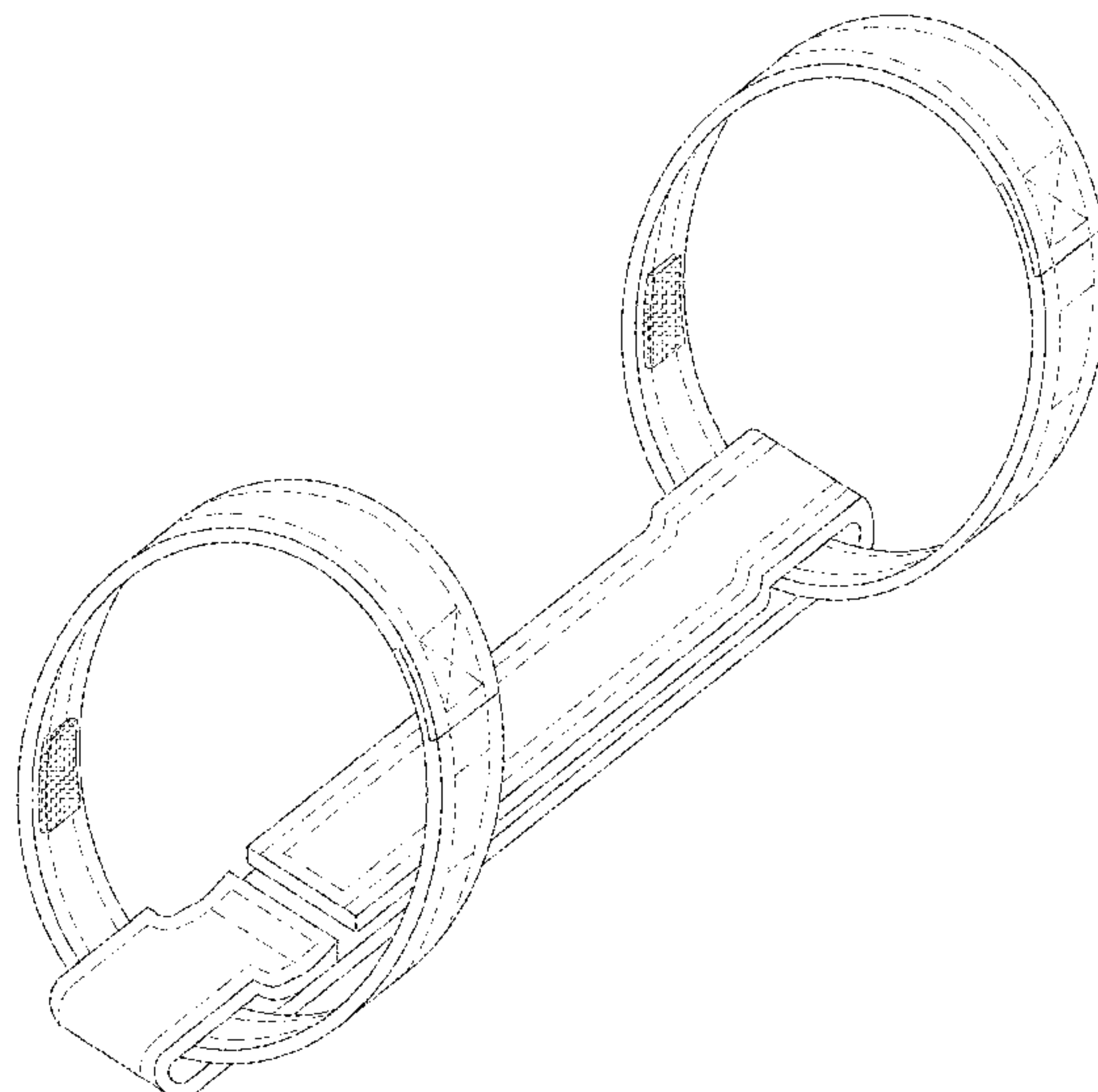
(57) **CLAIM**

The ornamental design for an arm restraint for a patient, as shown and described.

**DESCRIPTION**

FIG. 1 is a top, front isometric view of an arm restraint for a patient according to the new design;  
FIG. 2 is a front view thereof;  
FIG. 3 is a rear view thereof;  
FIG. 4 is a top view thereof;  
FIG. 5 is a bottom side view thereof;  
FIG. 6 is a right side view thereof; and,  
FIG. 7 is a left side view thereof.  
The broken lines shown in the drawings illustrate a disclaimed stitching pattern that forms no part of the claimed design.

**1 Claim, 7 Drawing Sheets**



# US D697,217 S

Page 2

---

(56)

## References Cited

### U.S. PATENT DOCUMENTS

6,350,206 B1 \* 2/2002 Lambert, II ..... 473/205  
D629,913 S \* 12/2010 Beckwith et al. .... D24/192  
7,897,857 B2 \* 3/2011 Lockwood ..... 84/280

D664,612 S \* 7/2012 Pinskiy et al. .... D21/662  
D686,737 S \* 7/2013 Nasir ..... D24/190  
2007/0000500 A1 \* 1/2007 Richard ..... 128/869  
2008/0116239 A1 \* 5/2008 Lu ..... 224/575

\* cited by examiner

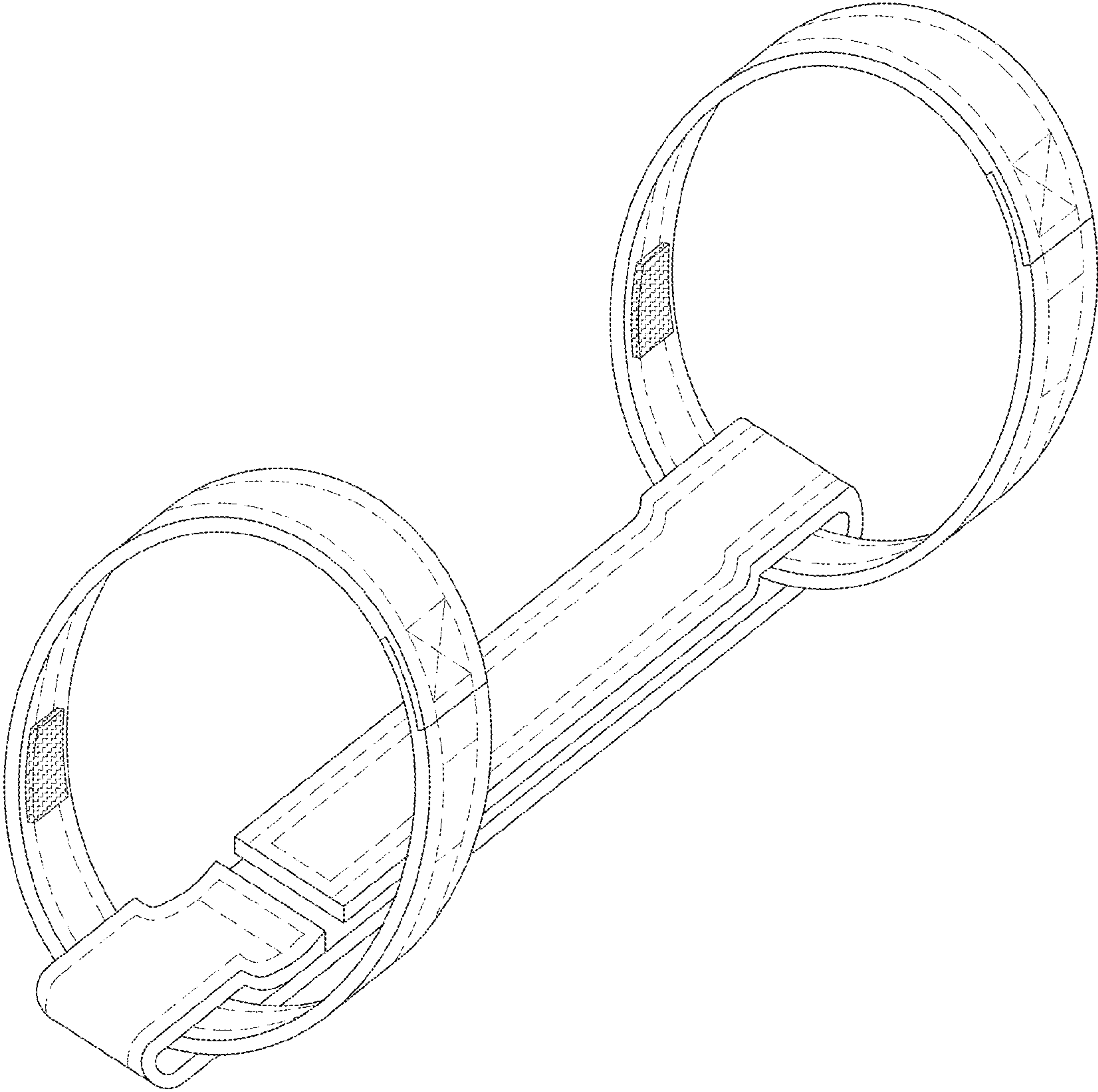


FIGURE 1

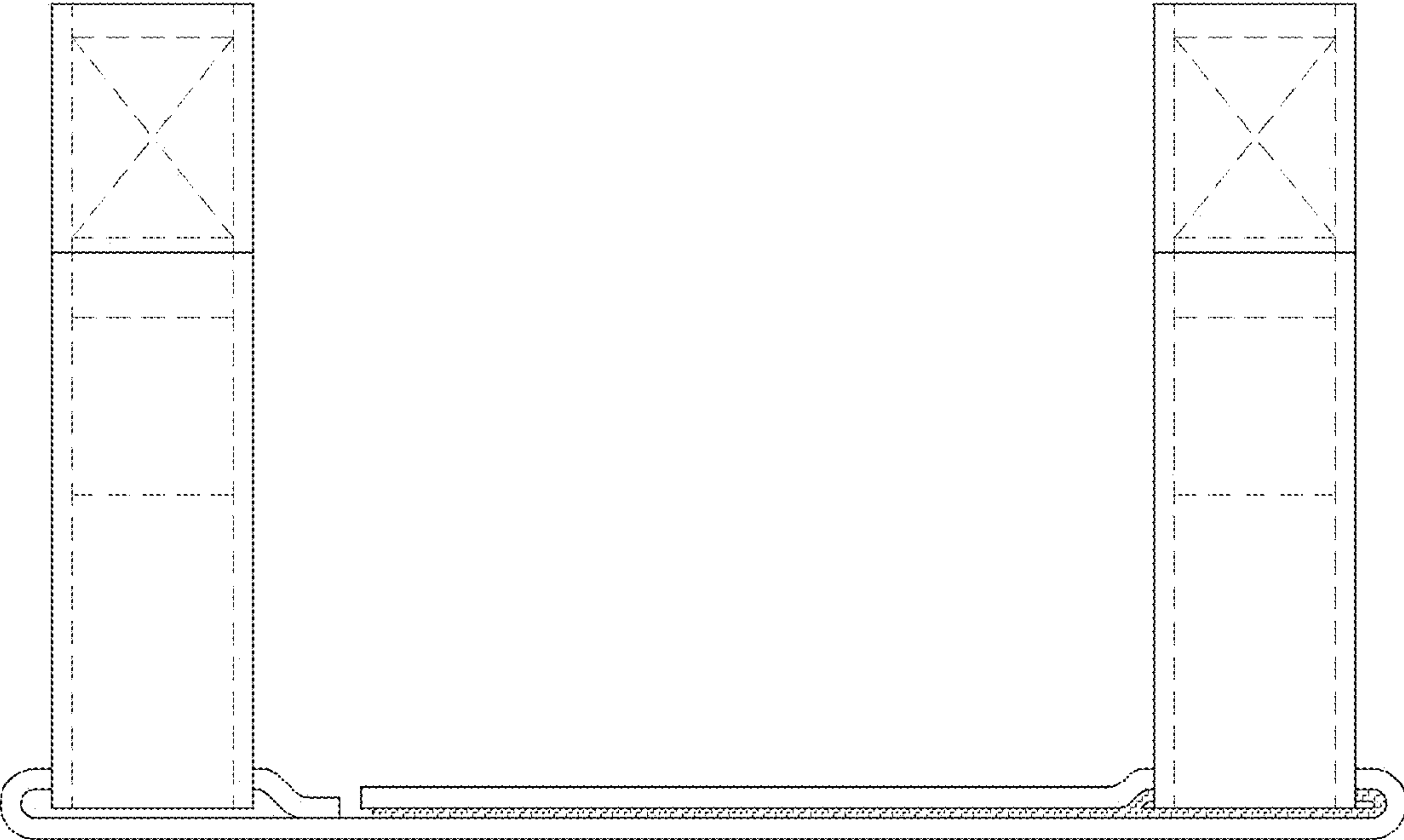


FIGURE 2

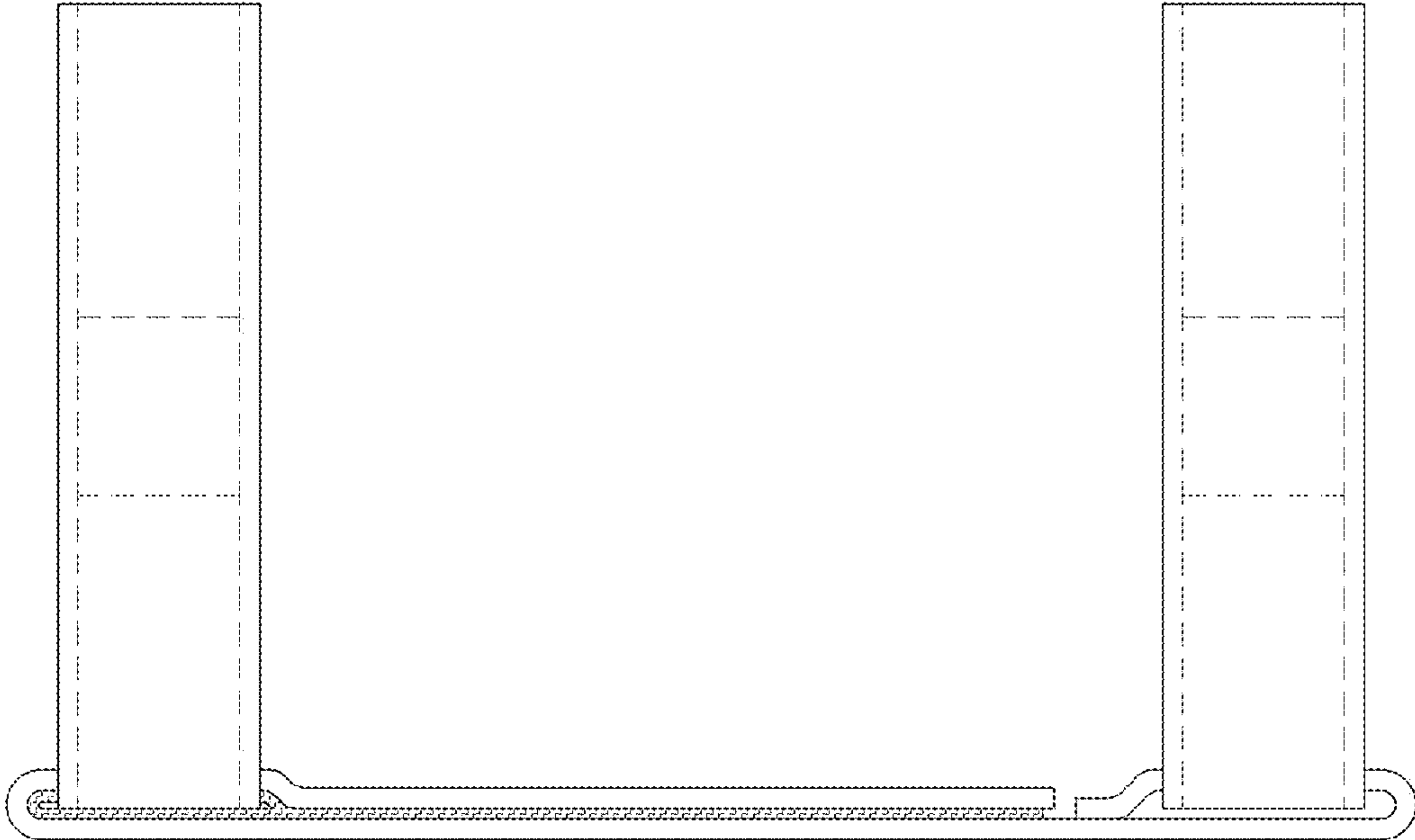


FIGURE 3

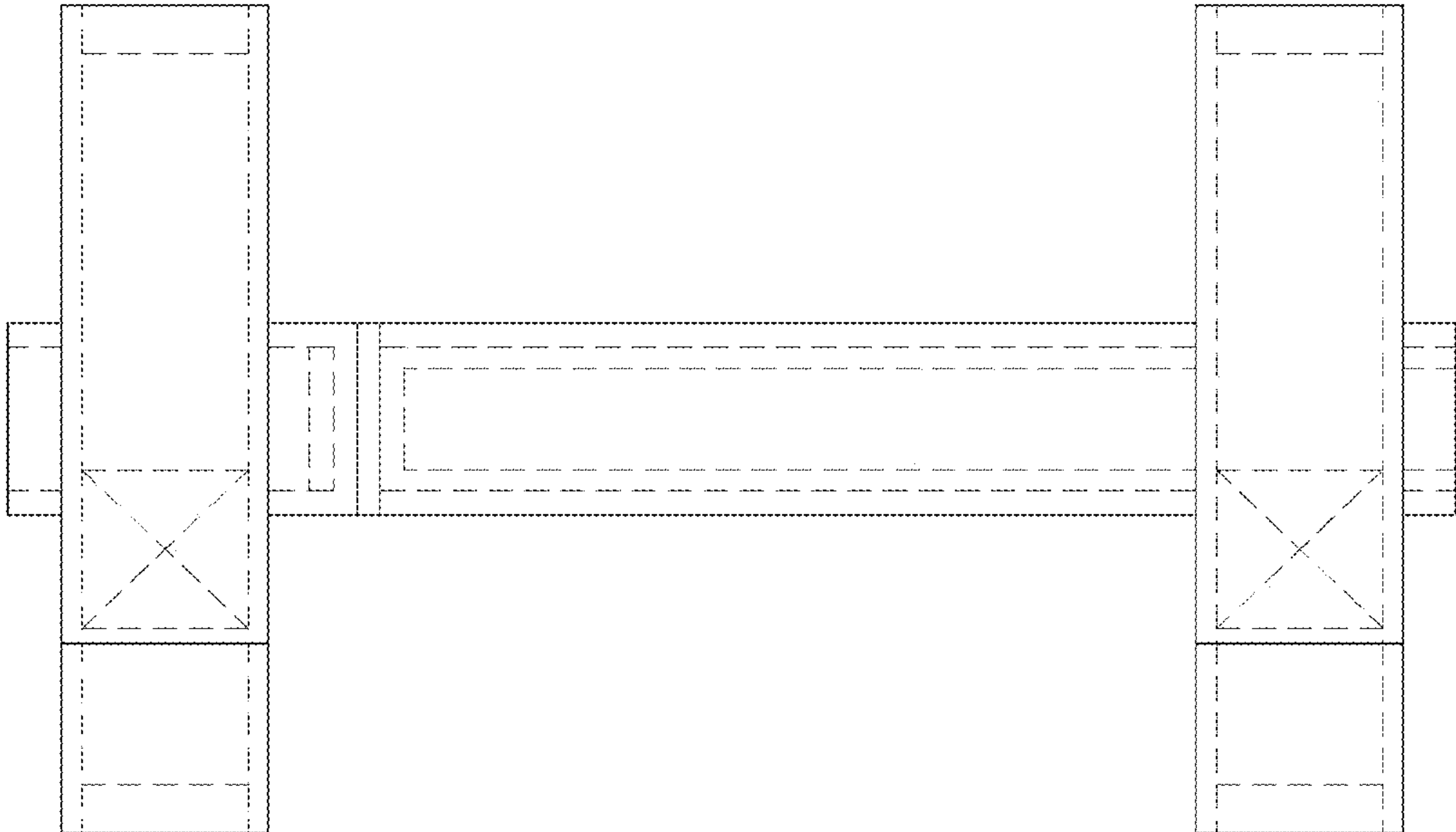


FIGURE 4

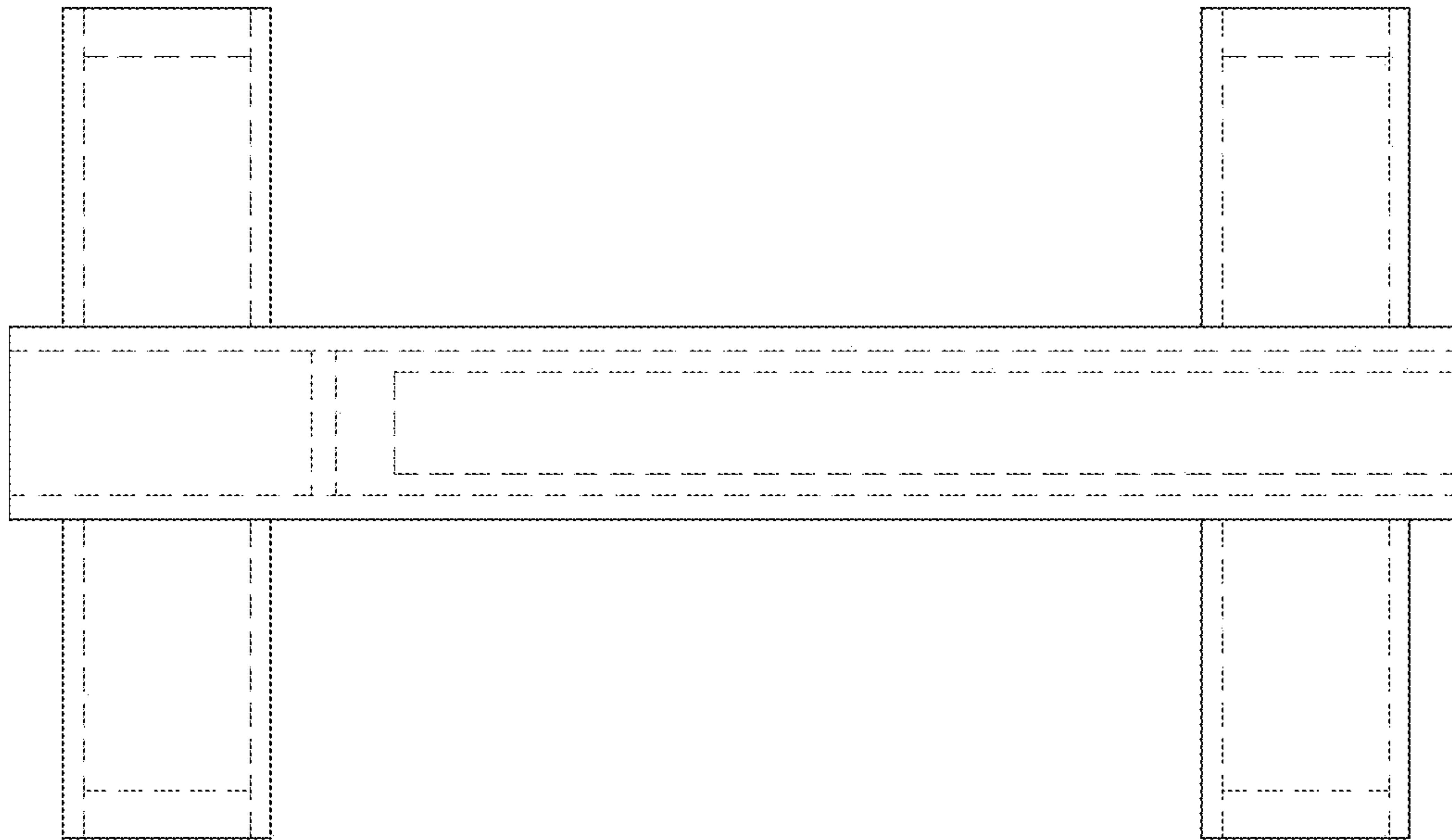


FIGURE 5

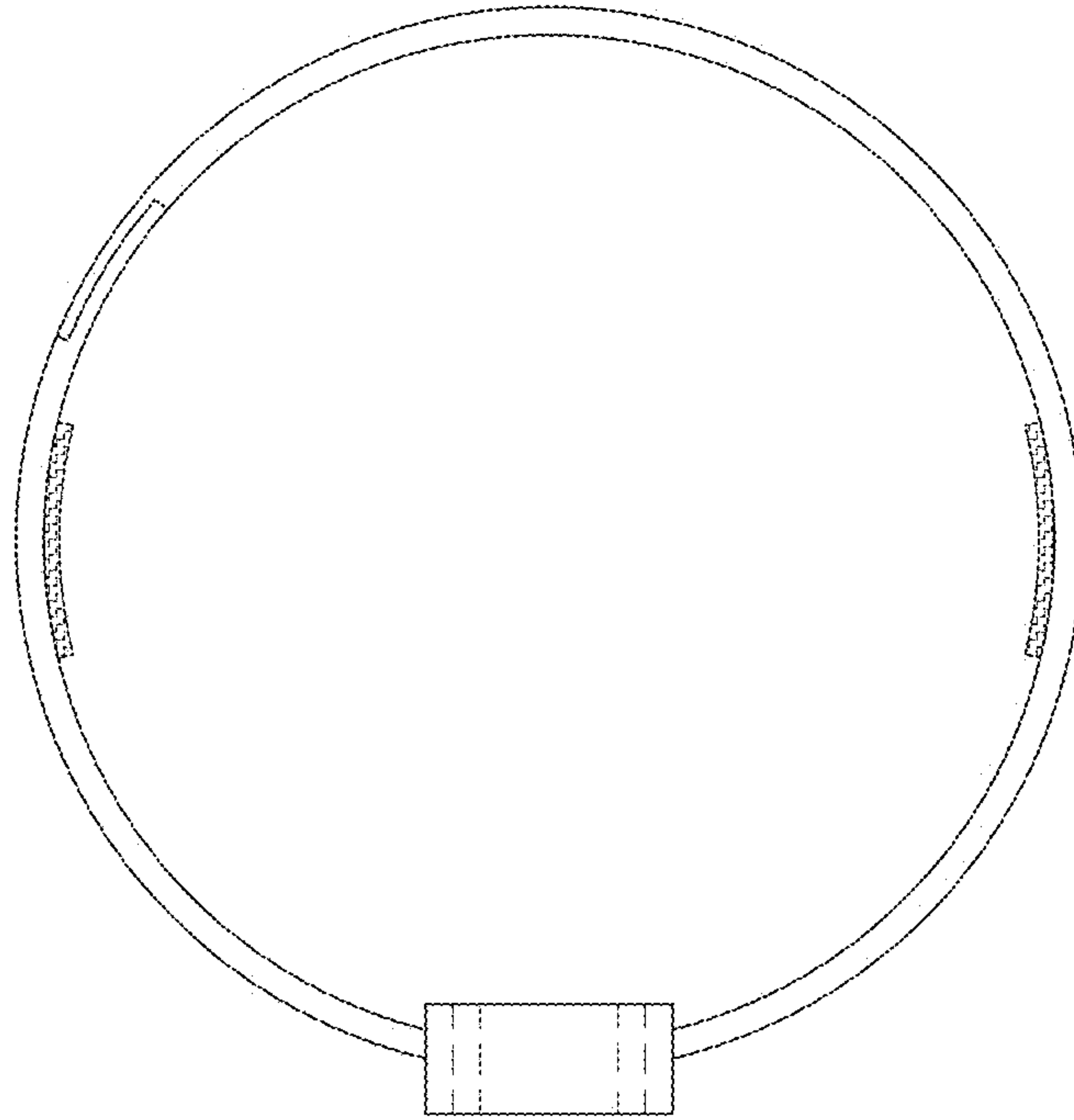


FIGURE 6



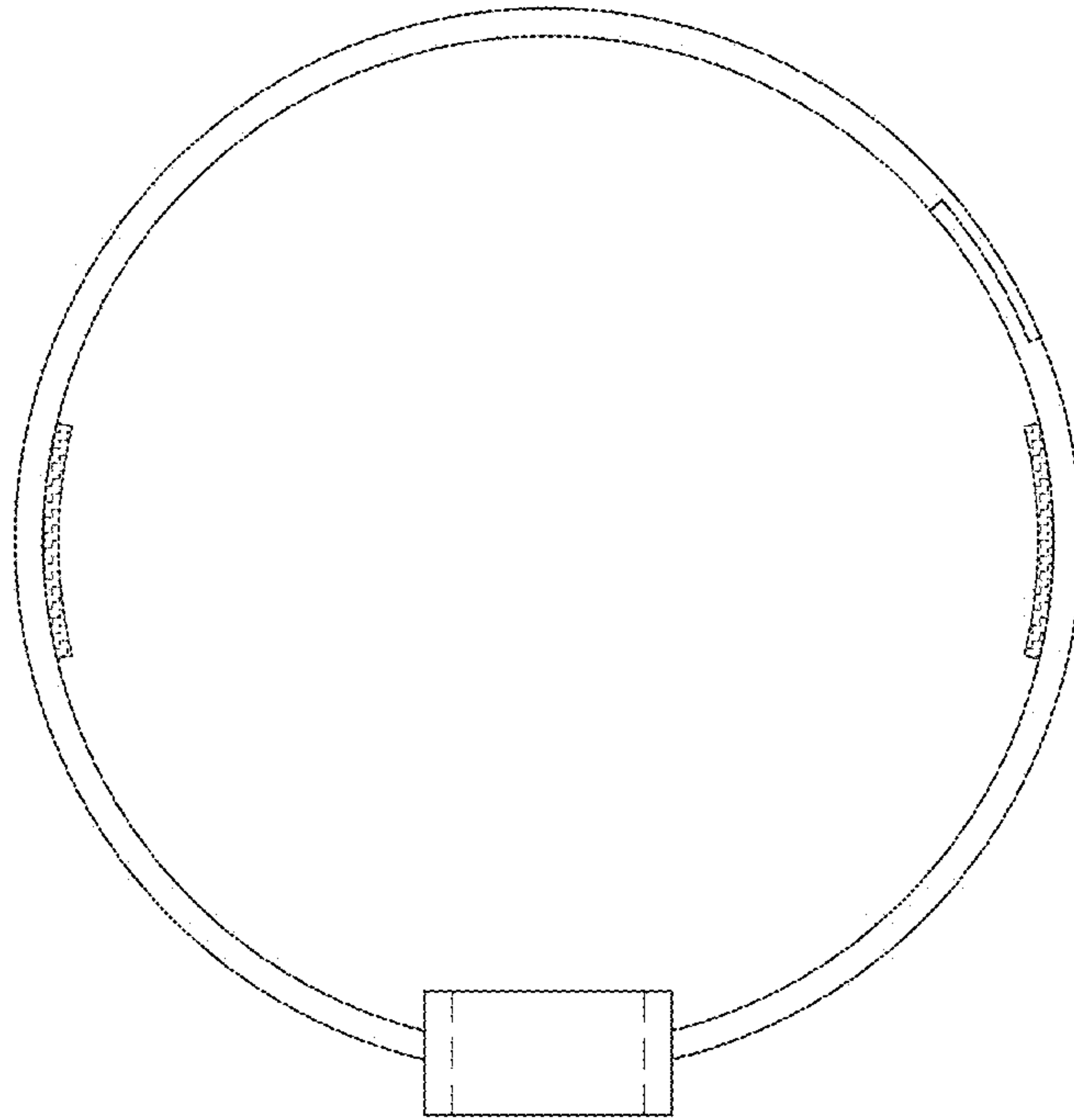


FIGURE 7