



US00D697215S

(12) **United States Design Patent**
Billard et al.

(10) **Patent No.:** **US D697,215 S**
(45) **Date of Patent:** **** Jan. 7, 2014**

(54) **APPARATUS FOR ACQUISITION OF FACIAL PARAMETERS**

(75) Inventors: **Armand Billard**, Vincennes (FR);
Philippe Pinault, Créteil (FR); **Laurent Roussel**, Les Pavillons sous bois (FR)

(73) Assignee: **Essilor International (Compagnie Generale d'Optique)**, Charenton le Pont (FR)

(**) Term: **14 Years**

(21) Appl. No.: **29/429,588**

(22) Filed: **Aug. 14, 2012**

(30) **Foreign Application Priority Data**

Feb. 15, 2012 (EM) 001992538-0001

(51) **LOC (10) Cl.** **24-01**

(52) **U.S. Cl.**
USPC **D24/186**

(58) **Field of Classification Search**
USPC D24/186, 133, 135, 137, 138, 150–151,
D24/158, 107; 600/131, 184–200, 476;
606/191–196; 320/114; 348/65
See application file for complete search history.

(56) **References Cited**

U.S. PATENT DOCUMENTS

D492,997 S *	7/2004	DiStasio	D24/158
D547,437 S *	7/2007	Asai	D24/107
D548,326 S *	8/2007	Asai	D24/107
D557,403 S *	12/2007	Asai	D24/107
D564,663 S *	3/2008	Udagawa et al.	D24/158
D590,506 S *	4/2009	Krishnan	D24/186
D590,507 S *	4/2009	Krishnan	D24/186
D603,968 S *	11/2009	Brefka	D24/186
D618,346 S *	6/2010	Sisko et al.	D24/137

D621,515 S *	8/2010	Chua et al.	D24/186
D623,754 S *	9/2010	Tuhkanen	D24/186
D634,435 S *	3/2011	Chua et al.	D24/186
D654,178 S *	2/2012	Antonio et al.	D24/187
D654,597 S *	2/2012	Hiramura	D24/186
D659,840 S *	5/2012	Cheng et al.	D24/186
2004/0125996 A1 *	7/2004	Eddowes et al.	600/476

* cited by examiner

Primary Examiner — T. Chase Nelson

Assistant Examiner — Mark Cavanna

(74) *Attorney, Agent, or Firm* — Gardere Wynne Sewell LLP

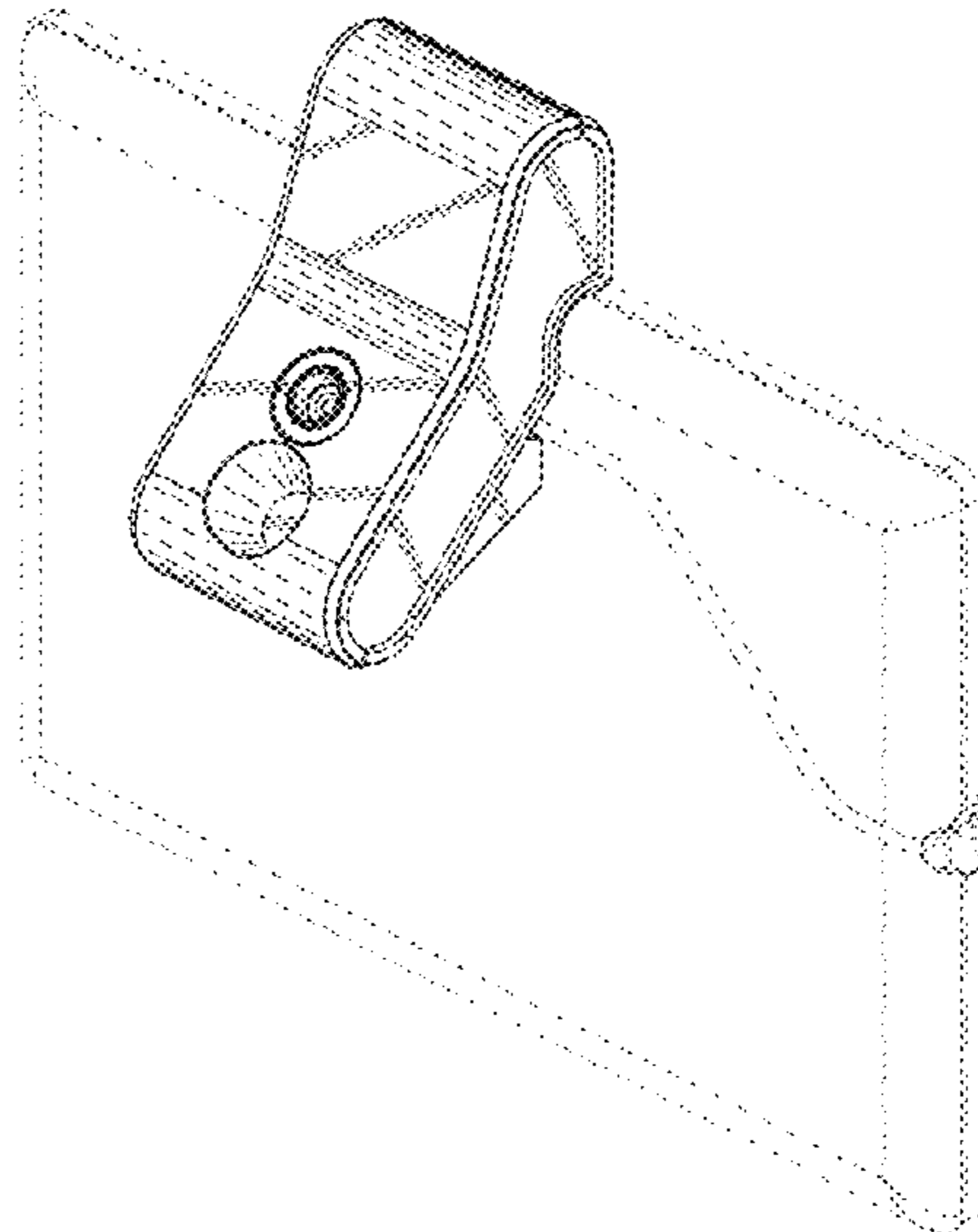
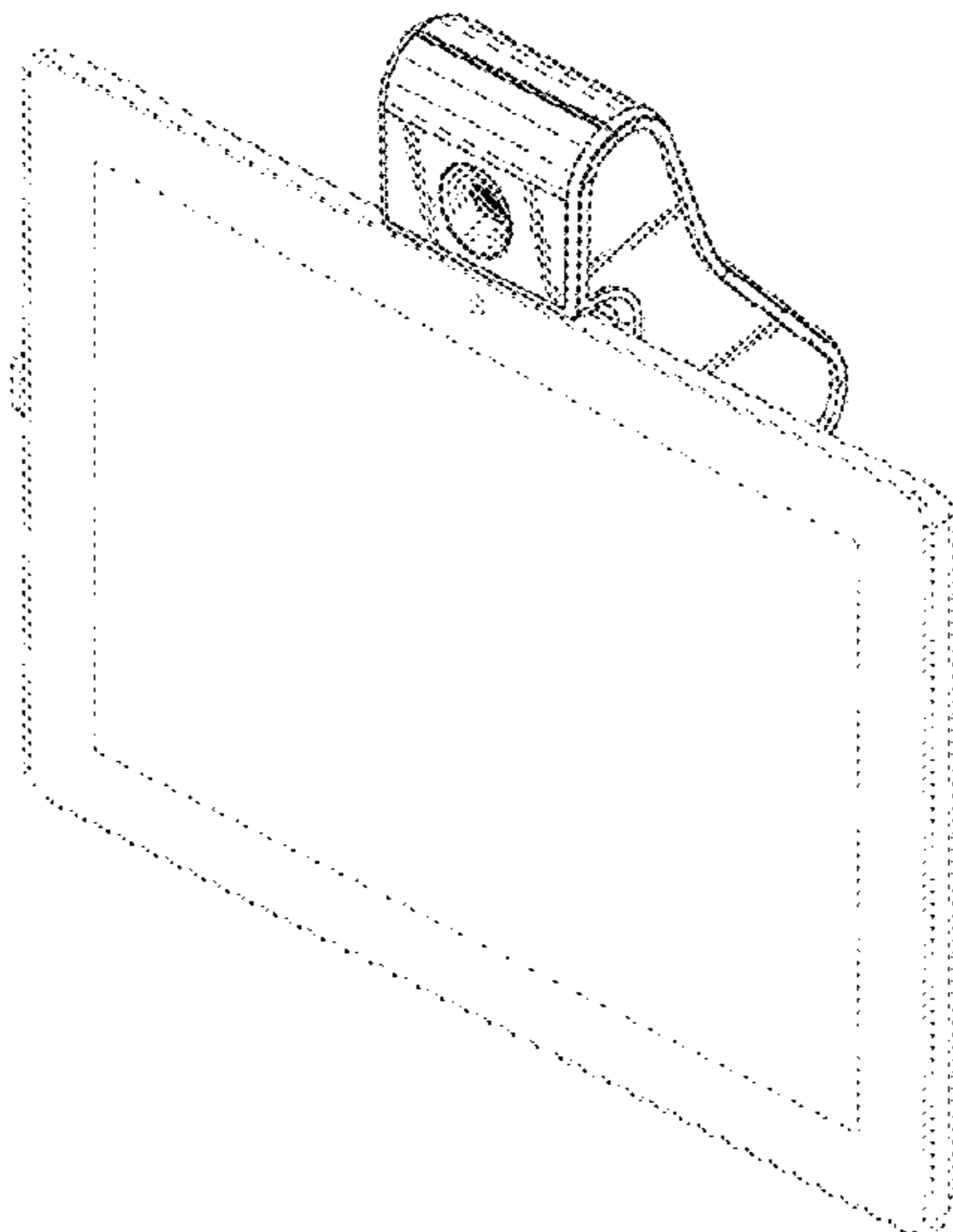
(57) **CLAIM**

The ornamental design for an apparatus for acquisition of facial parameters, as shown and described.

DESCRIPTION

FIG. 1 is a front perspective view of an apparatus for acquisition of facial parameters in accordance with the invention; FIG. 2 is a front view of the apparatus for acquisition of facial parameters shown in FIG. 1; FIG. 3 is a rear view of the apparatus for acquisition of facial parameters shown in FIG. 1; FIG. 4 is right side view of the apparatus for acquisition of facial parameters shown in FIG. 1; FIG. 5 is a left side view of the apparatus for acquisition of facial parameters shown in FIG. 1; FIG. 6 is a top view of the apparatus for acquisition of facial parameters shown in FIG. 1; FIG. 7 is a bottom view of the apparatus for acquisition of facial parameters shown in FIG. 1; and, FIG. 8 is a rear perspective view of the apparatus for acquisition of facial parameters shown in FIG. 1. The broken lines are included for the purpose of illustrating portions of the apparatus for acquisition of facial parameters that form no part of the claimed design.

1 Claim, 6 Drawing Sheets



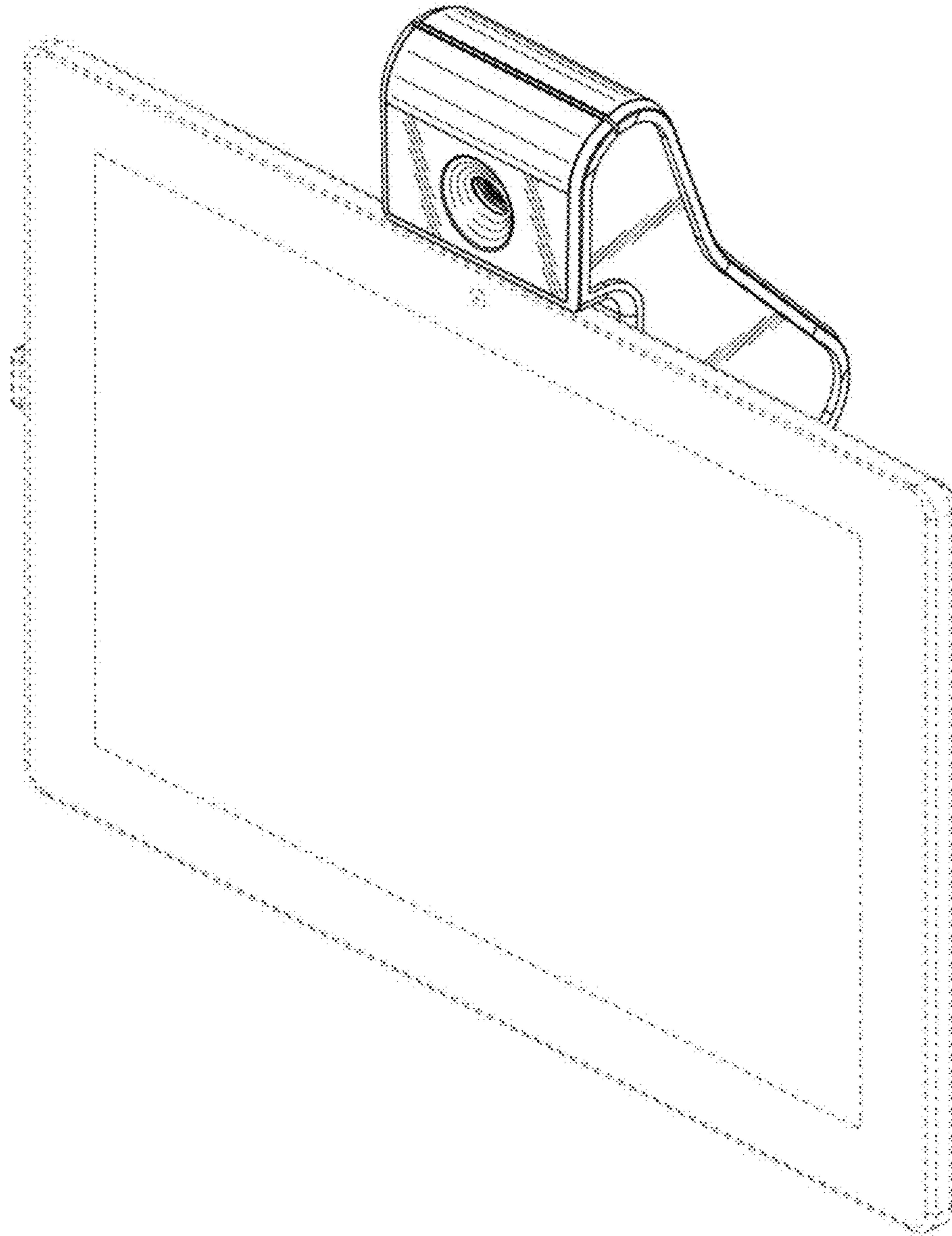


FIG. 1

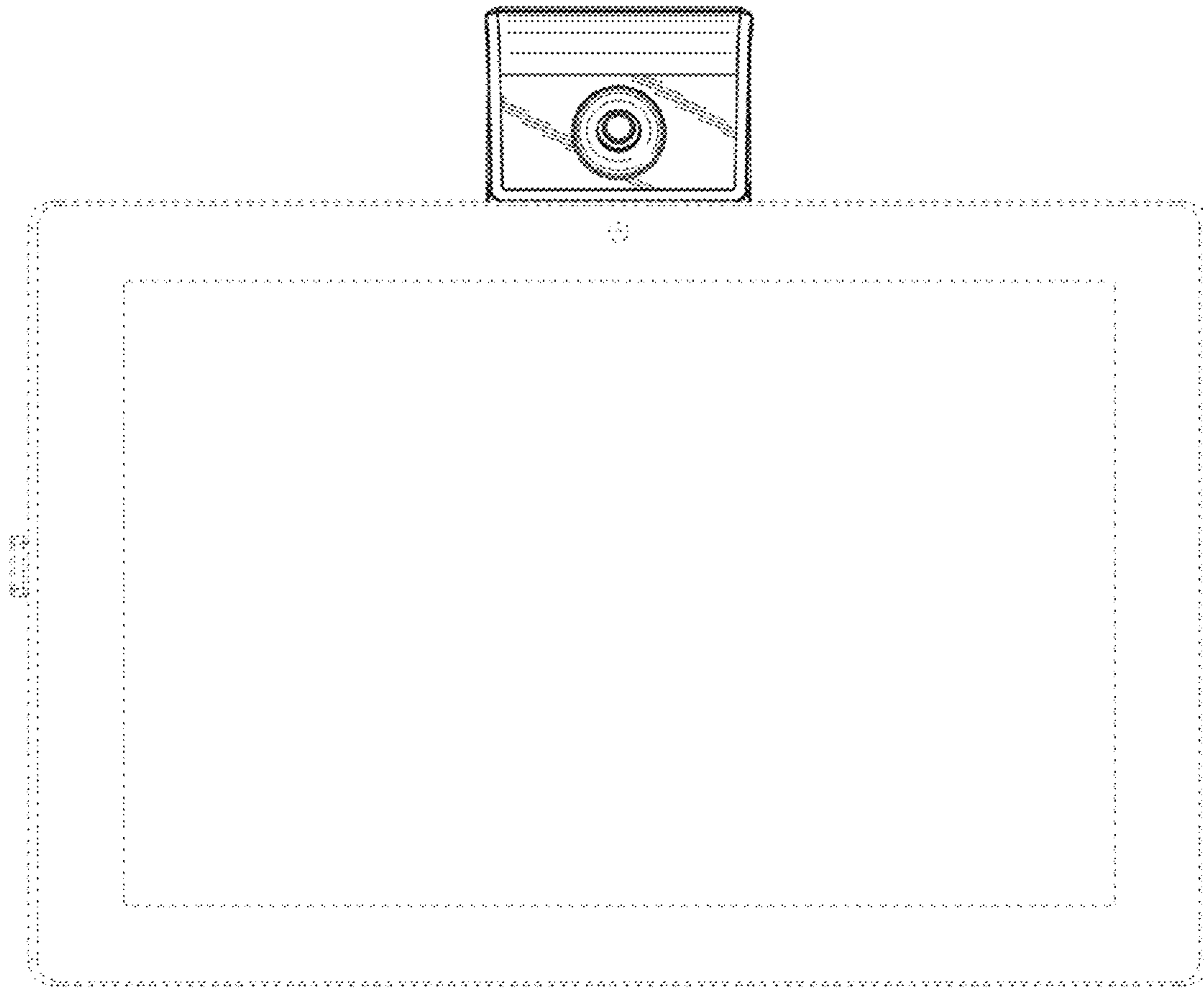


FIG. 2

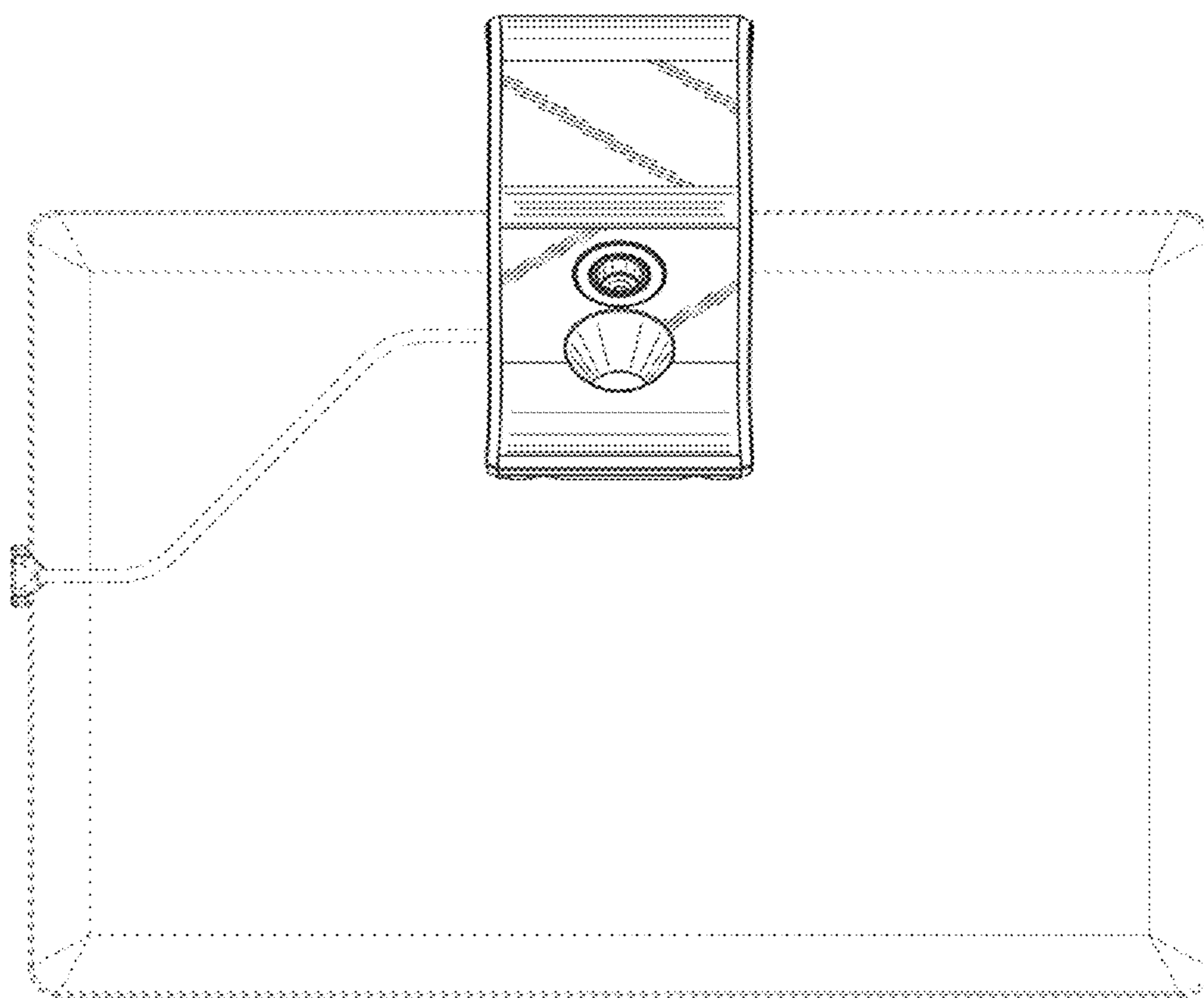


FIG. 3

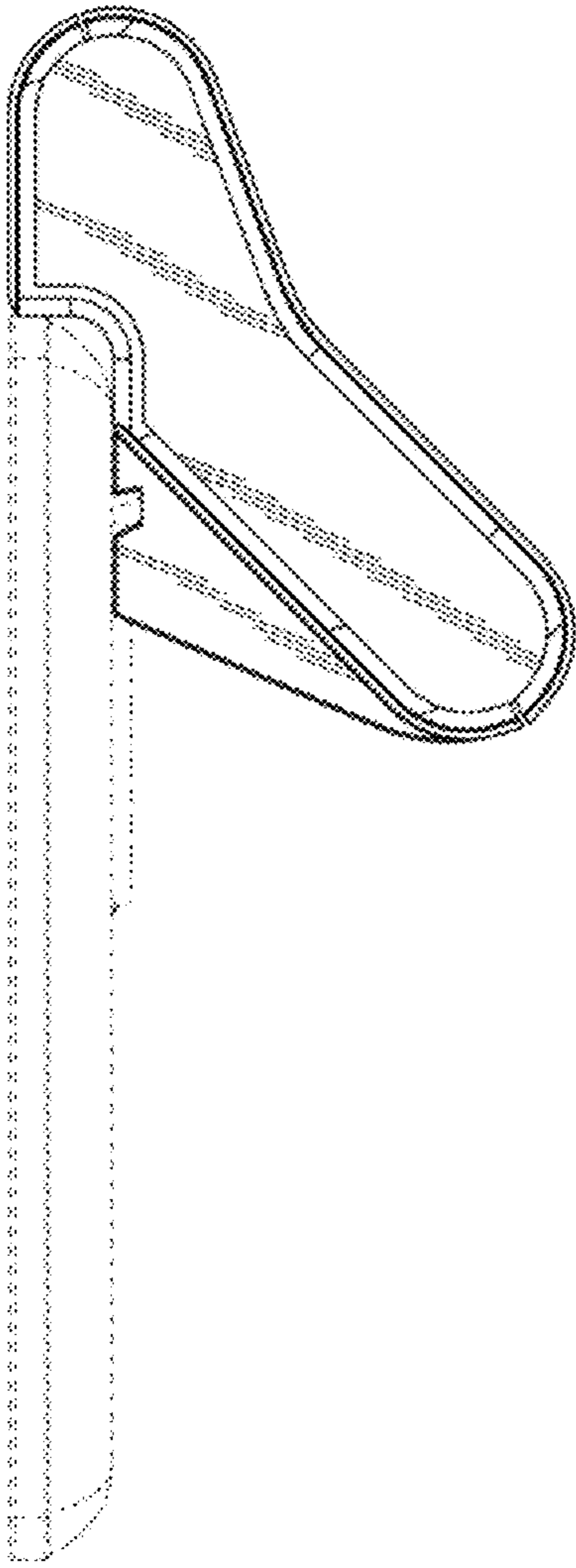


FIG. 4

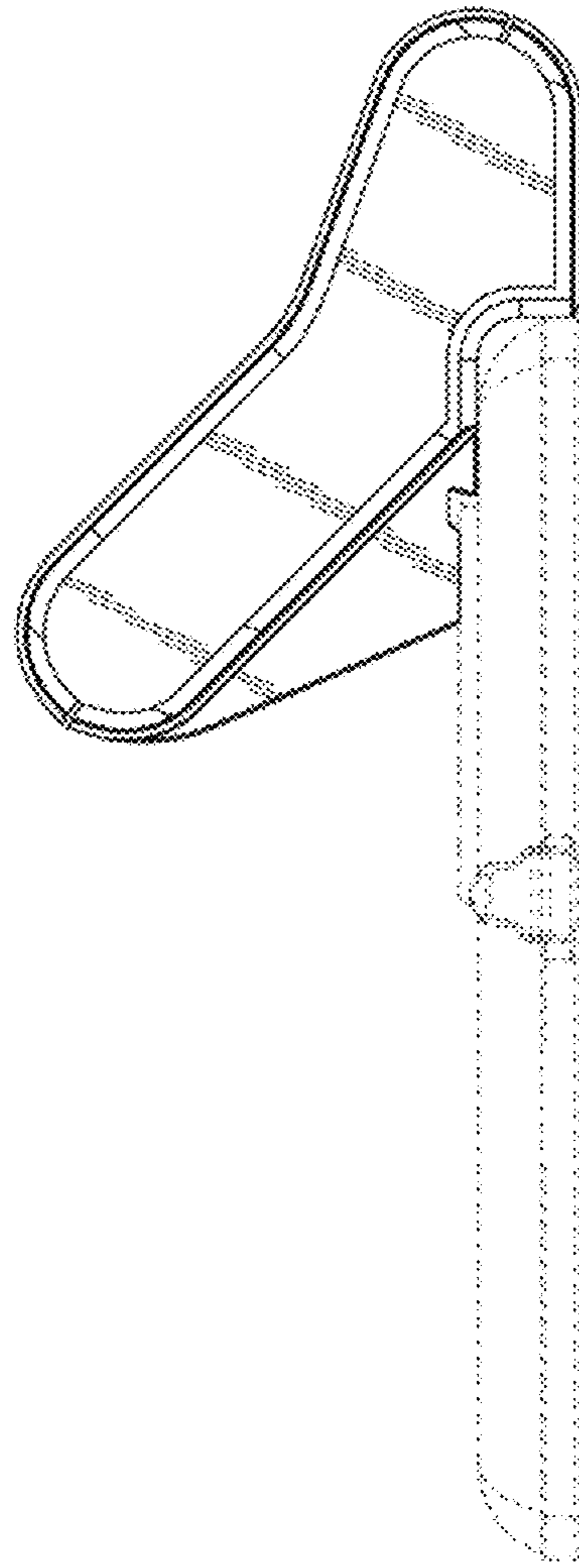


FIG. 5

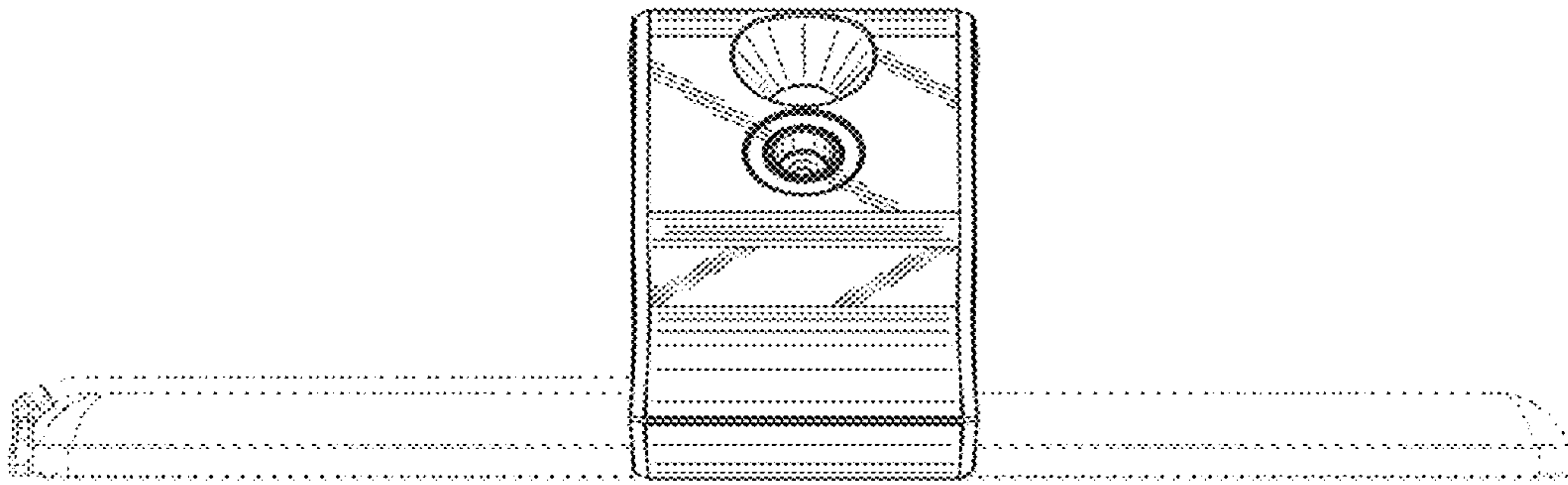


FIG. 6

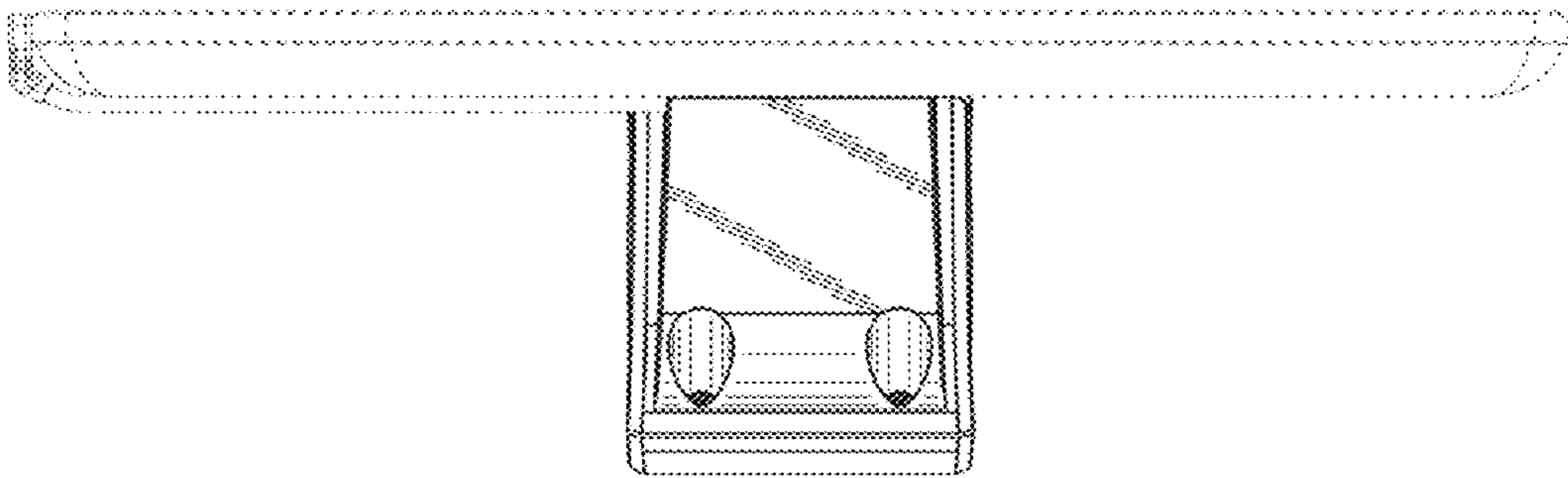


FIG. 7

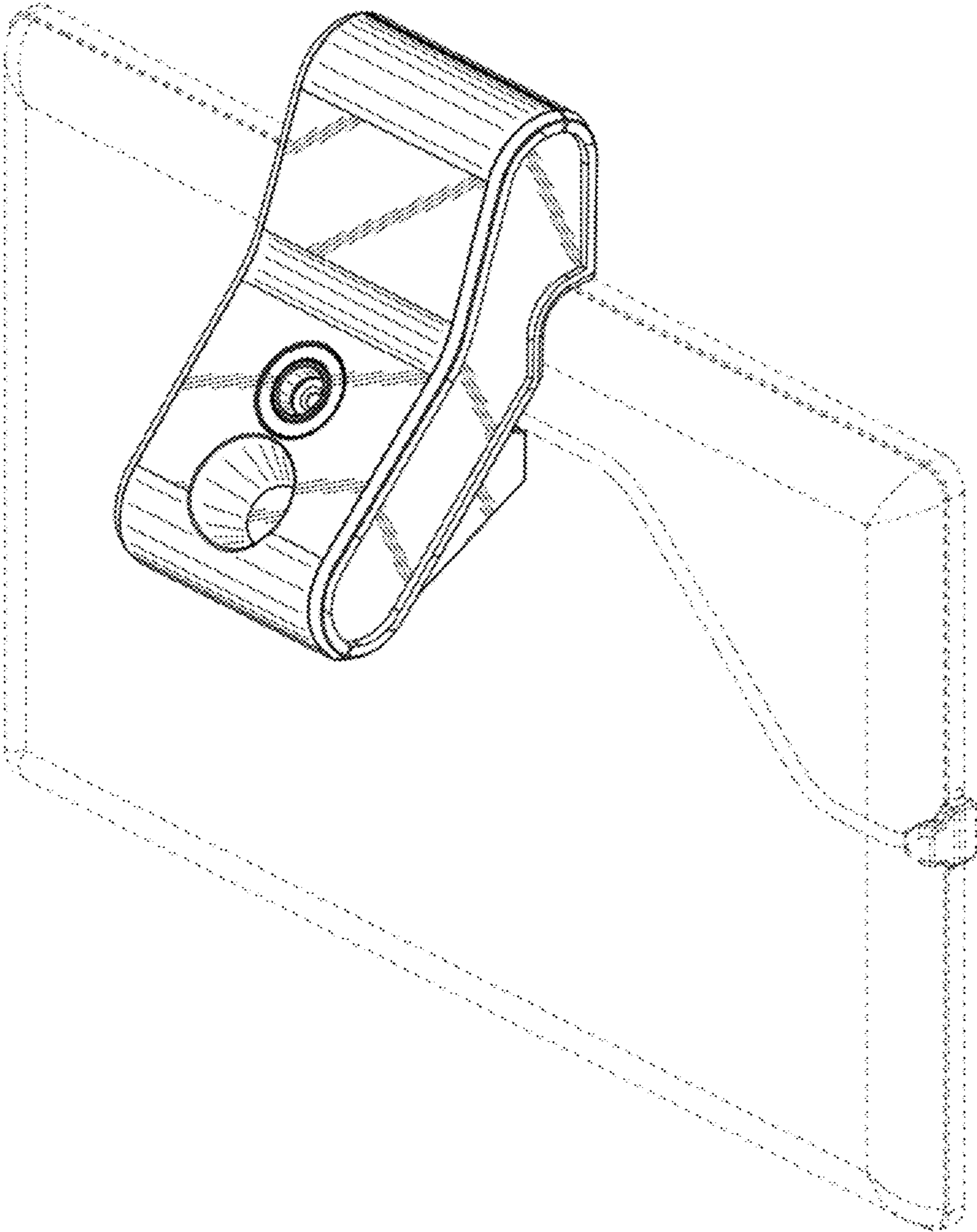


FIG. 8