



US00D697212S

(12) **United States Design Patent**
Chung et al.

(10) **Patent No.:** **US D697,212 S**
(45) **Date of Patent:** **** Jan. 7, 2014**

(54) **ULTRASONIC DIAGNOSTIC EQUIPMENT**

(56)

References Cited

(71) Applicant: **Samsung Electronics Co., Ltd.**,
Suwon-si (KR)
(72) Inventors: **Yeon-Moo Chung**, Seoul (KR); **Jun-Pil Moon**, Seoul (KR)
(73) Assignee: **Samsung Electronics Co., Ltd.** (KR)
(**) Term: **14 Years**
(21) Appl. No.: **29/437,923**
(22) Filed: **Nov. 21, 2012**

U.S. PATENT DOCUMENTS

D387,168	S	*	12/1997	Edelman et al.	D24/186
D472,635	S	*	4/2003	Stringer et al.	D24/160
D559,390	S	*	1/2008	Diener et al.	D24/186
D626,238	S	*	10/2010	Zinnanti	D24/185
D626,239	S	*	10/2010	Lia et al.	D24/185
D628,299	S	*	11/2010	Held	D24/185
D631,970	S	*	2/2011	Held	D24/185
D648,855	S	*	11/2011	Smith et al.	D24/158
D652,936	S	*	1/2012	Ross et al.	D24/185
D657,470	S	*	4/2012	Schon et al.	D24/186
2010/0004535	A1	*	1/2010	Song et al.	600/437
2012/0289828	A1	*	11/2012	Jensen et al.	600/437

* cited by examiner

Primary Examiner — Anhdao Doan
(74) *Attorney, Agent, or Firm* — Cantor Colburn LLP

Related U.S. Application Data

(63) Continuation of application No. 29/431,369, filed on Sep. 6, 2012.

(57) **CLAIM**

The ornamental design for an ultrasonic diagnostic equipment, as shown and described.

DESCRIPTION

(30) **Foreign Application Priority Data**

Jun. 26, 2012 (KR) 30-2012-0031070

(51) **LOC (10) Cl.** **24-01**

(52) **U.S. Cl.**
USPC **D24/158**

(58) **Field of Classification Search**
USPC D24/158-161, 185, 186; 606/32-34;
600/1-3, 104, 437, 443, 459; 312/209,
312/223.1, 223.2, 249.12; 248/47.34, 282.1

See application file for complete search history.

FIG. 1 is a perspective view of an ultrasonic diagnostic equipment showing our new design;
FIG. 2 is a front view thereof;
FIG. 3 is a rear view thereof;
FIG. 4 is a left side view thereof;
FIG. 5 is a right side view thereof;
FIG. 6 is a top plan view thereof; and,
FIG. 7 is a bottom plan view thereof.

The broken lines in the drawing views are included for the purpose of illustrating portions of the ultrasonic diagnostic equipment that form no part of the claimed design.

1 Claim, 7 Drawing Sheets

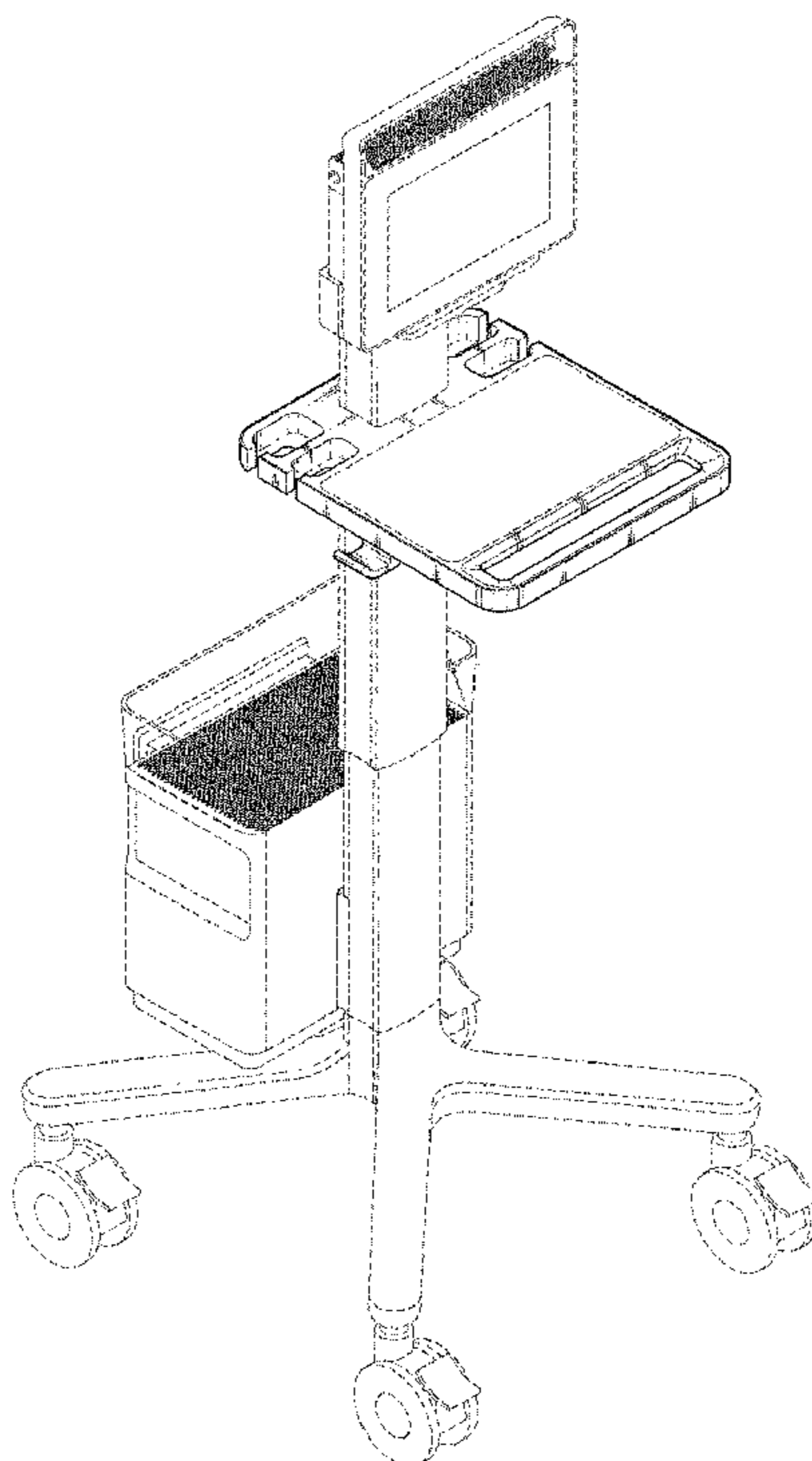


FIG. 1

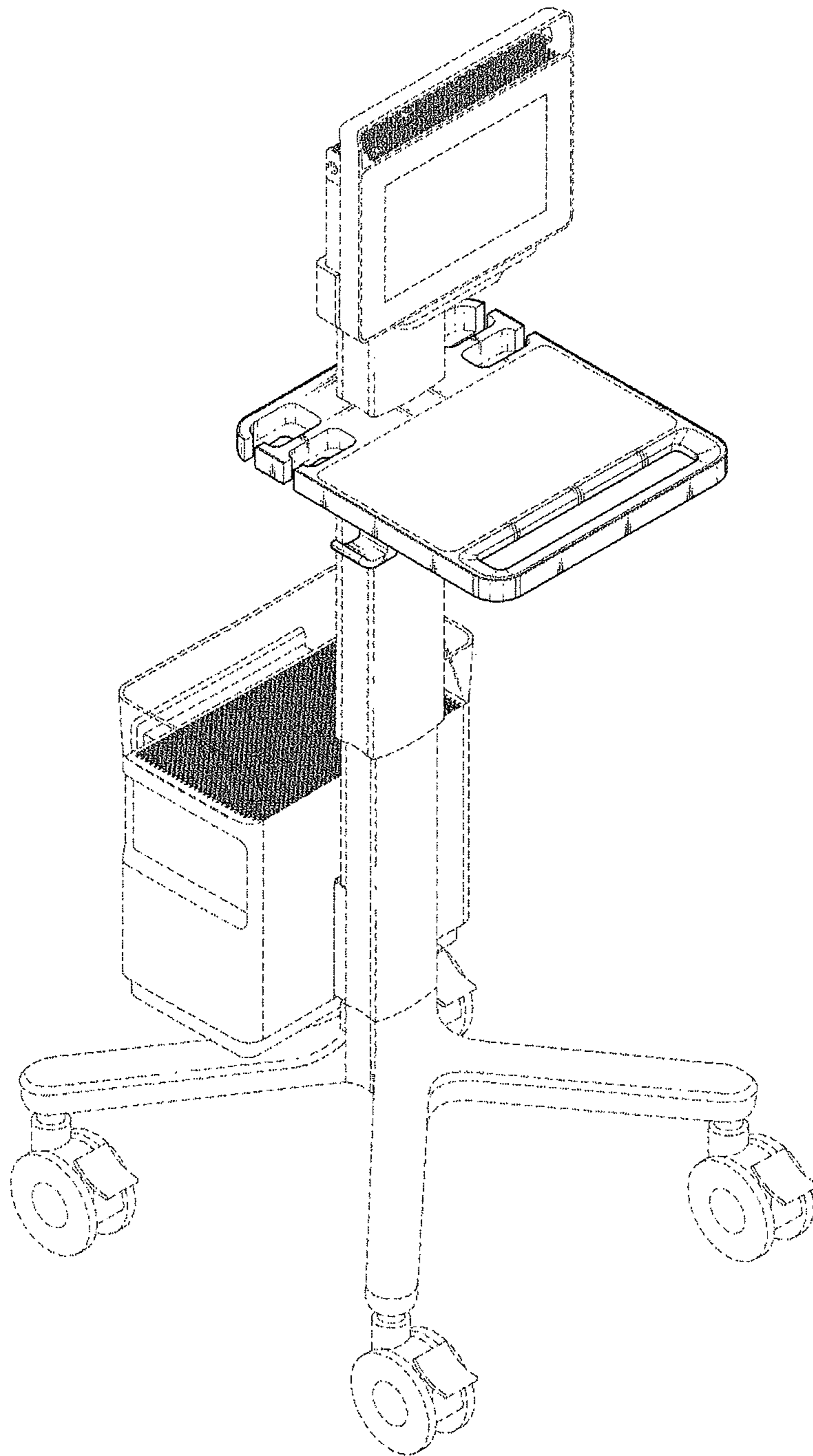


FIG. 2

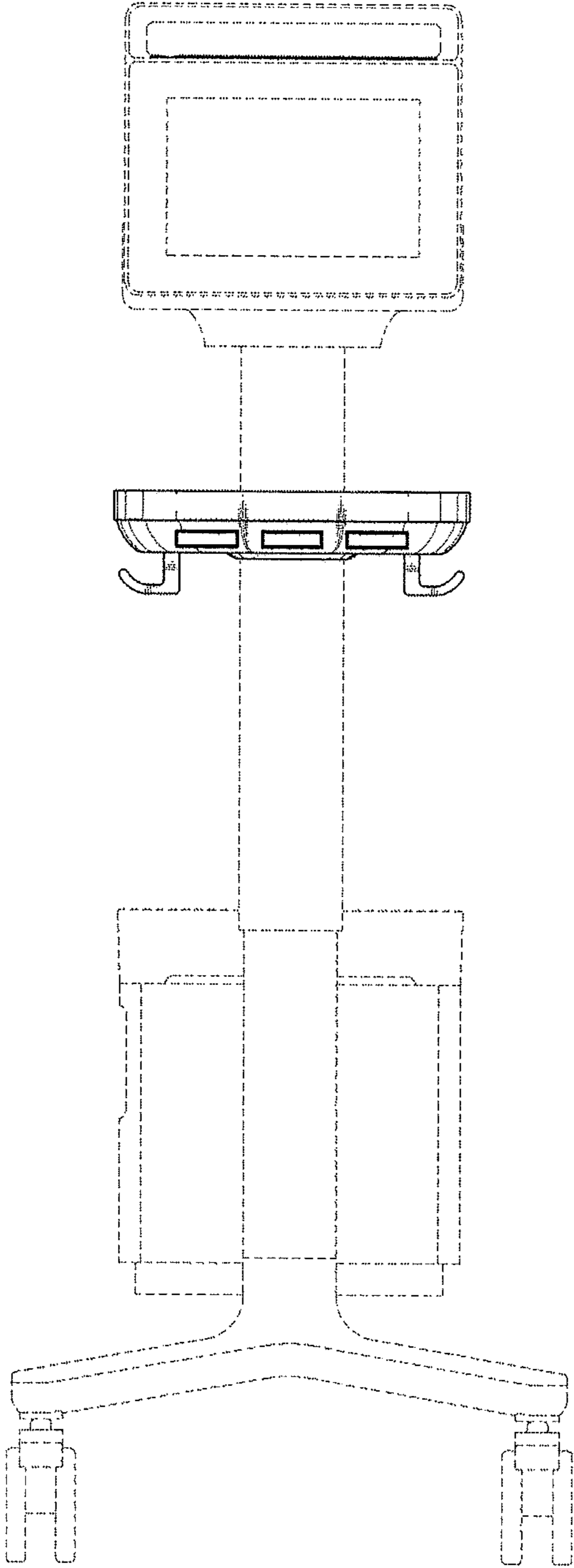


FIG. 3

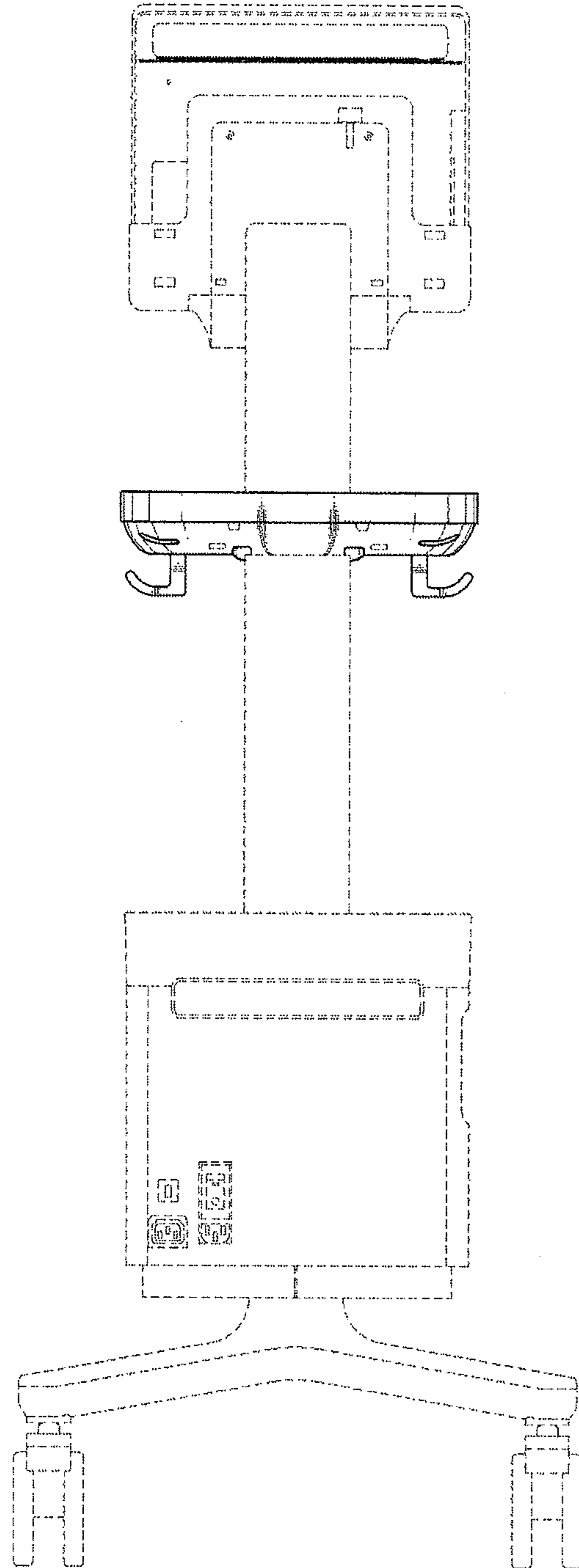


FIG. 4

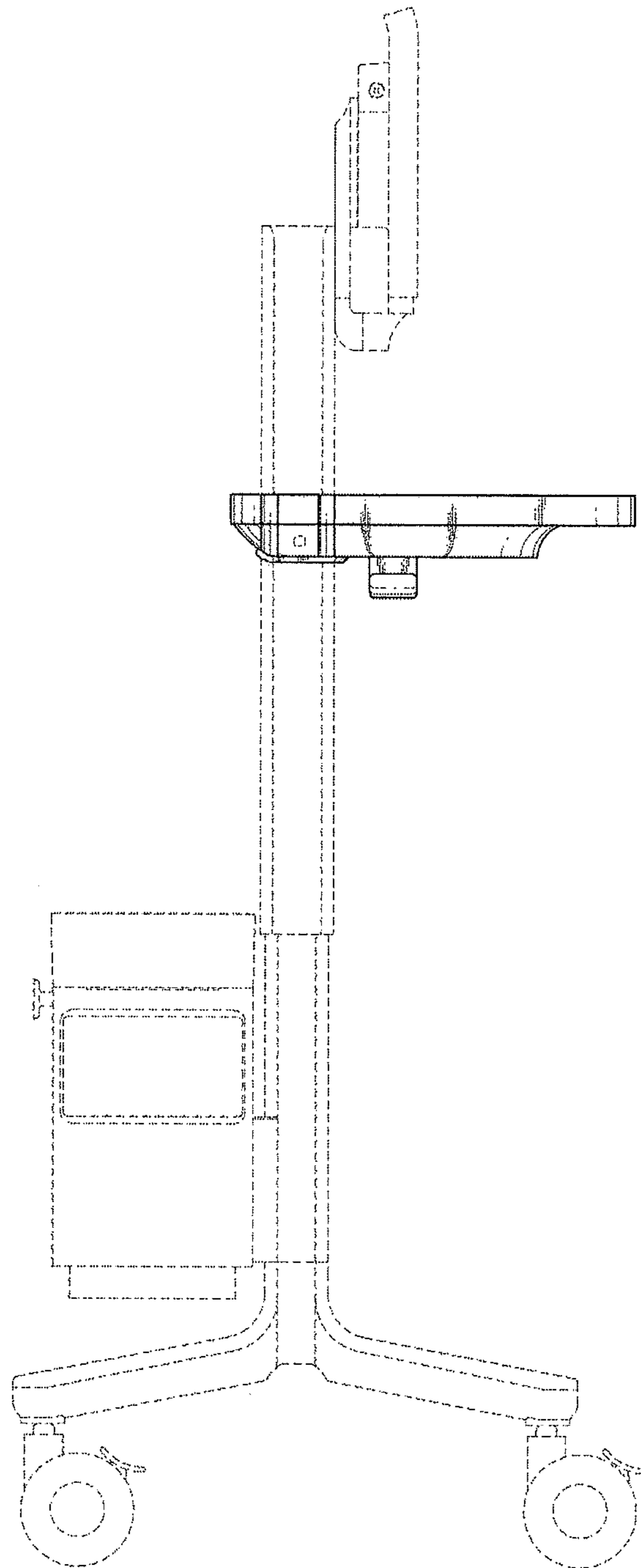


FIG. 5

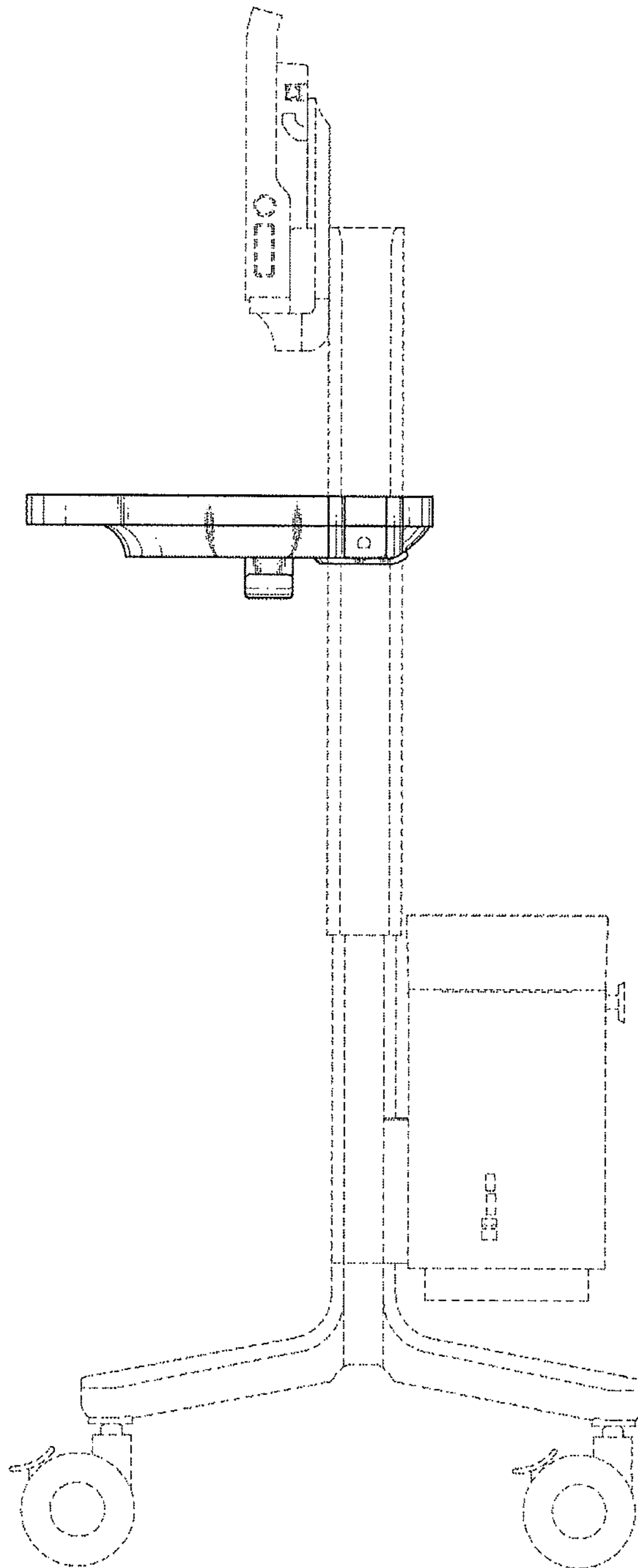


FIG. 6

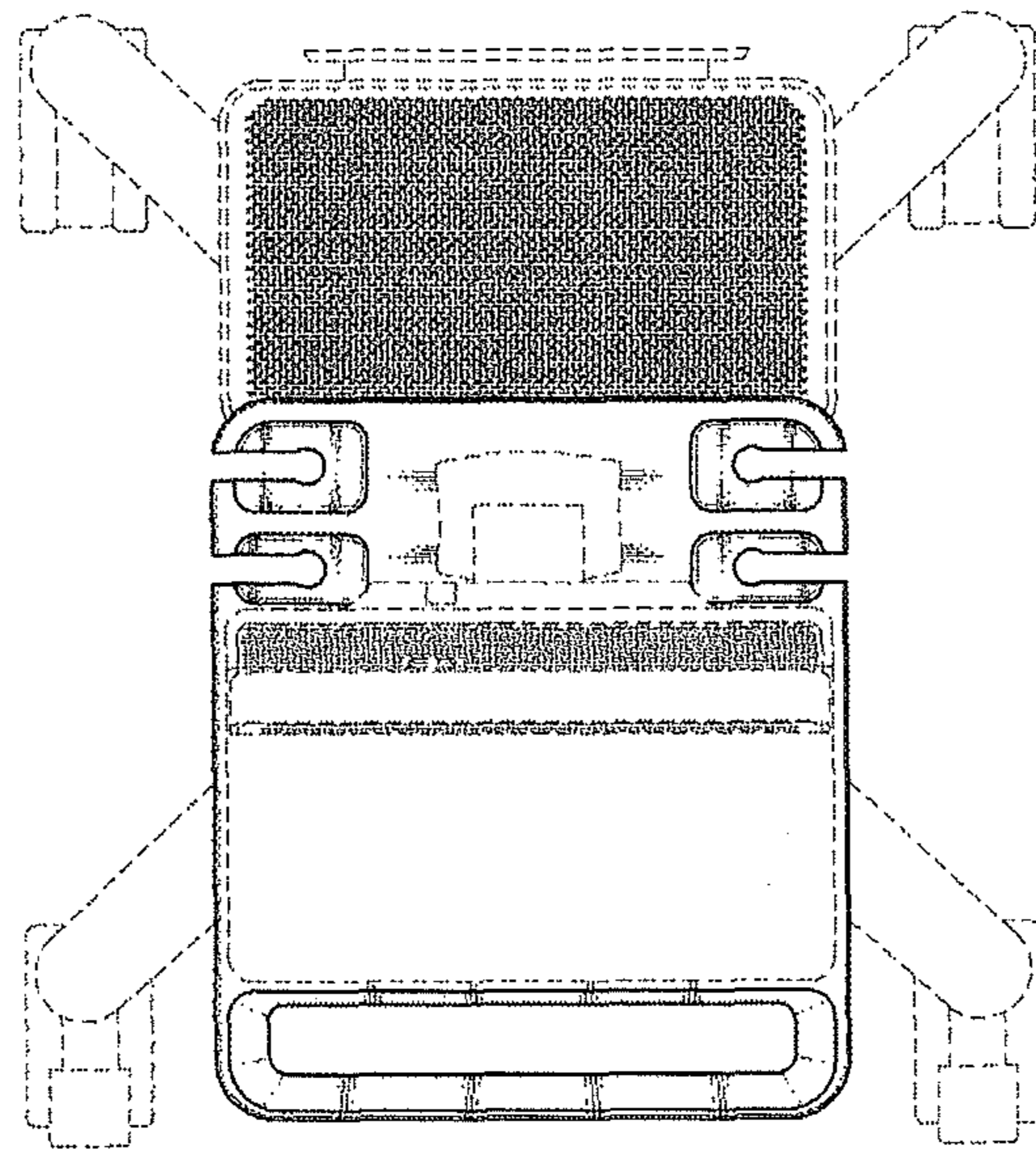


FIG. 7

