



US00D697211S

(12) **United States Design Patent**
Ninomiya et al.

(10) **Patent No.:** **US D697,211 S**
(45) **Date of Patent:** **** Jan. 7, 2014**

(54) **ULTRASOUND DIAGNOSIS APPARATUS**

(75) Inventors: **Atsushi Ninomiya**, Tokyo (JP); **Masaru Yokoyama**, Tokyo (JP); **Kazuyuki Yanase**, Tokyo (JP); **Taisuke Matsushita**, Tokyo (JP); **Masaru Inoue**, Tokyo (JP)

(73) Assignee: **Hitachi Aloka Medical, Ltd.**, Tokyo (JP)

(**) Term: **14 Years**

(21) Appl. No.: **29/415,874**

(22) Filed: **Mar. 15, 2012**

(30) **Foreign Application Priority Data**

Sep. 29, 2011 (JP) 2011-22245

(51) **LOC (10) Cl.** **24-01**

(52) **U.S. Cl.**
USPC **D24/158**

(58) **Field of Classification Search**

USPC D24/158-161, 185, 186; 606/32-34; 600/1-3, 104, 437, 443, 459; 312/209, 312/223.1, 223.2, 249.12; 248/47.34, 282.1
See application file for complete search history.

(56) **References Cited**

U.S. PATENT DOCUMENTS

D509,900	S	*	9/2005	Barnes et al.	D24/160
D550,366	S	*	9/2007	Zhou	D24/186
D607,105	S	*	12/2009	Otoha et al.	D24/158
D643,816	S	*	8/2011	Drysdale et al.	D24/185
D683,033	S	*	5/2013	Yoshida et al.	D24/186
2008/0255455	A1	*	10/2008	Sokulin et al.	600/459
2009/0326380	A1	*	12/2009	Shin et al.	600/459

* cited by examiner

Primary Examiner — Anhdao Doan

(74) *Attorney, Agent, or Firm* — Antonelli, Terry, Stout & Kraus, LLP.

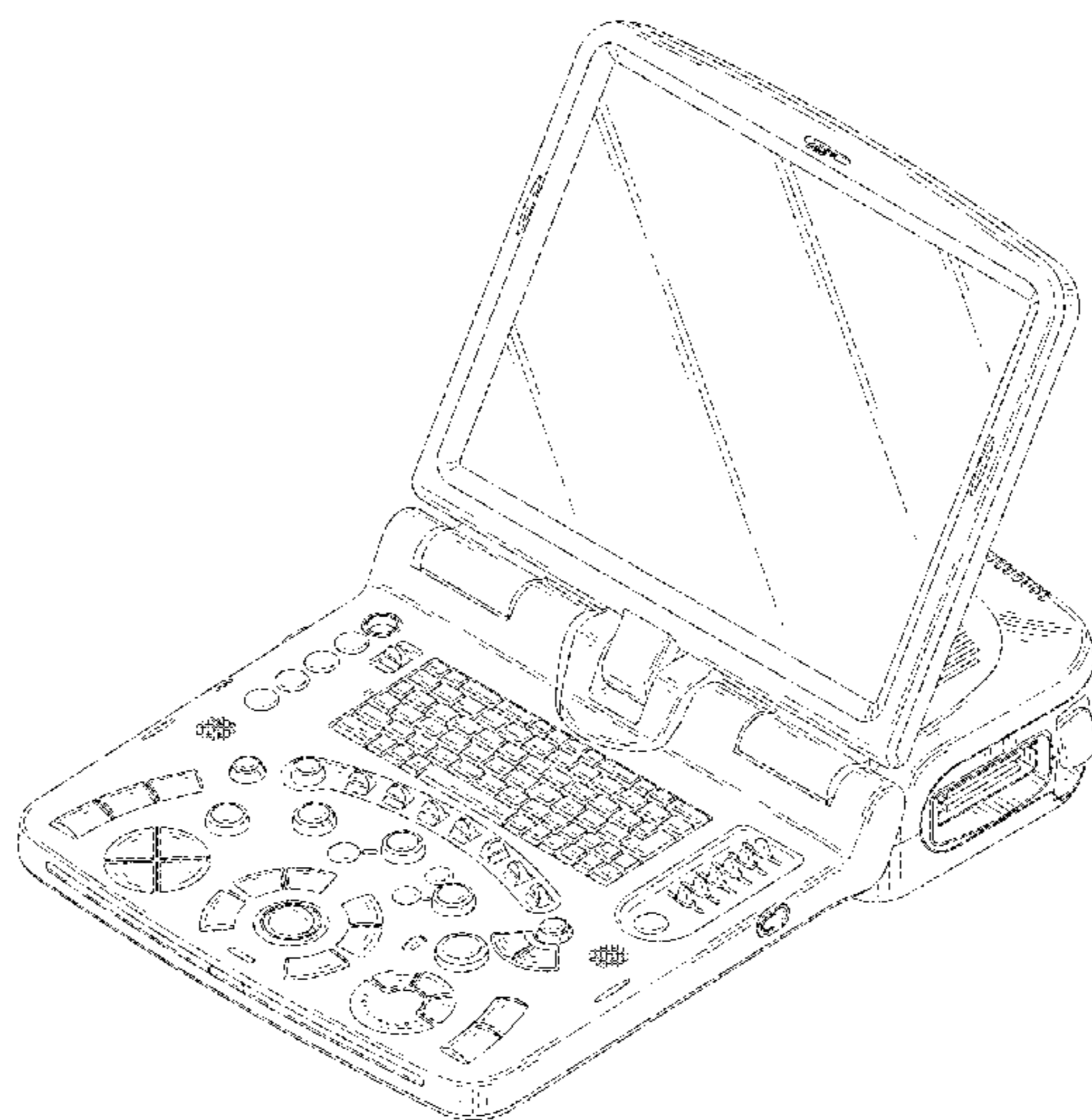
(57) **CLAIM**

The ornamental design for an ultrasound diagnosis equipment, as shown and described.

DESCRIPTION

FIG. 1 is a front, top and right side perspective view of an ultrasound diagnosis apparatus showing our new design; FIG. 2 is a front elevational view thereof; FIG. 3 is a rear side elevational view thereof; FIG. 4 is a left side elevational view thereof; FIG. 5 is a right side elevational view thereof; FIG. 6 is a top plan view thereof; FIG. 7 is a bottom plan view thereof; FIG. 8 is a cross-section view thereof; FIG. 9 is a front, top and right side perspective view of flip-upped the operating panel of an ultrasound diagnosis apparatus showing our new design; FIG. 10 is a front elevational view thereof; FIG. 11 is a rear side elevational view thereof; FIG. 12 is a left side elevational view thereof; FIG. 13 is a right side elevational view thereof; FIG. 14 is a top plan view thereof; FIG. 15 is a bottom plan view thereof; FIG. 16 is a right side view of turned the monitor of an ultrasound diagnosis apparatus showing our new design; FIG. 17 is a top plan view of turned the monitor of an ultrasound diagnosis apparatus showing our new design; FIG. 18 is a right side view of closed the monitor forward of an ultrasound diagnosis apparatus showing our new design; and, FIG. 19 is a top plan view of closed the monitor forward of an ultrasound diagnosis apparatus showing our new design.

1 Claim, 14 Drawing Sheets



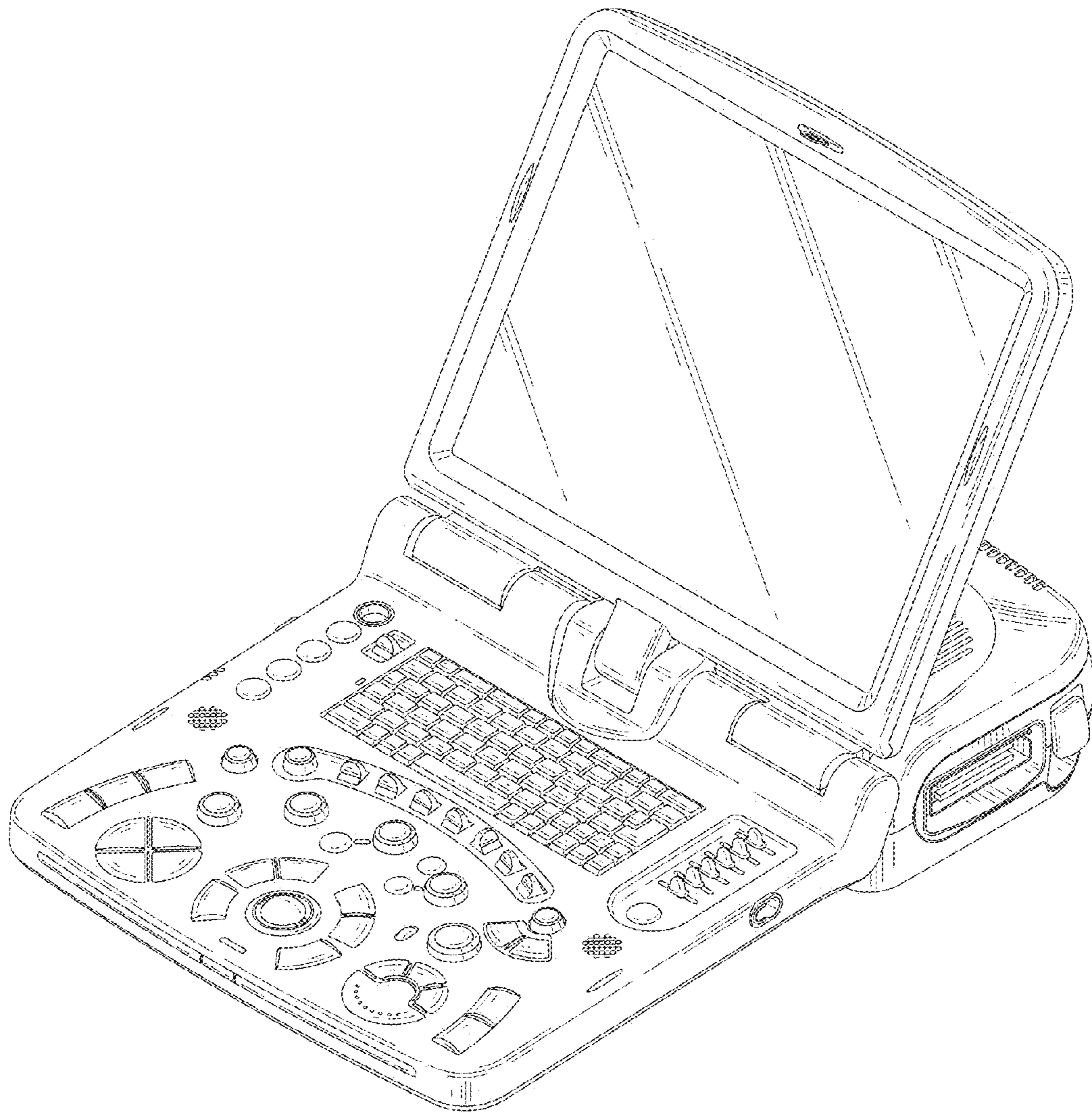


FIG. 1

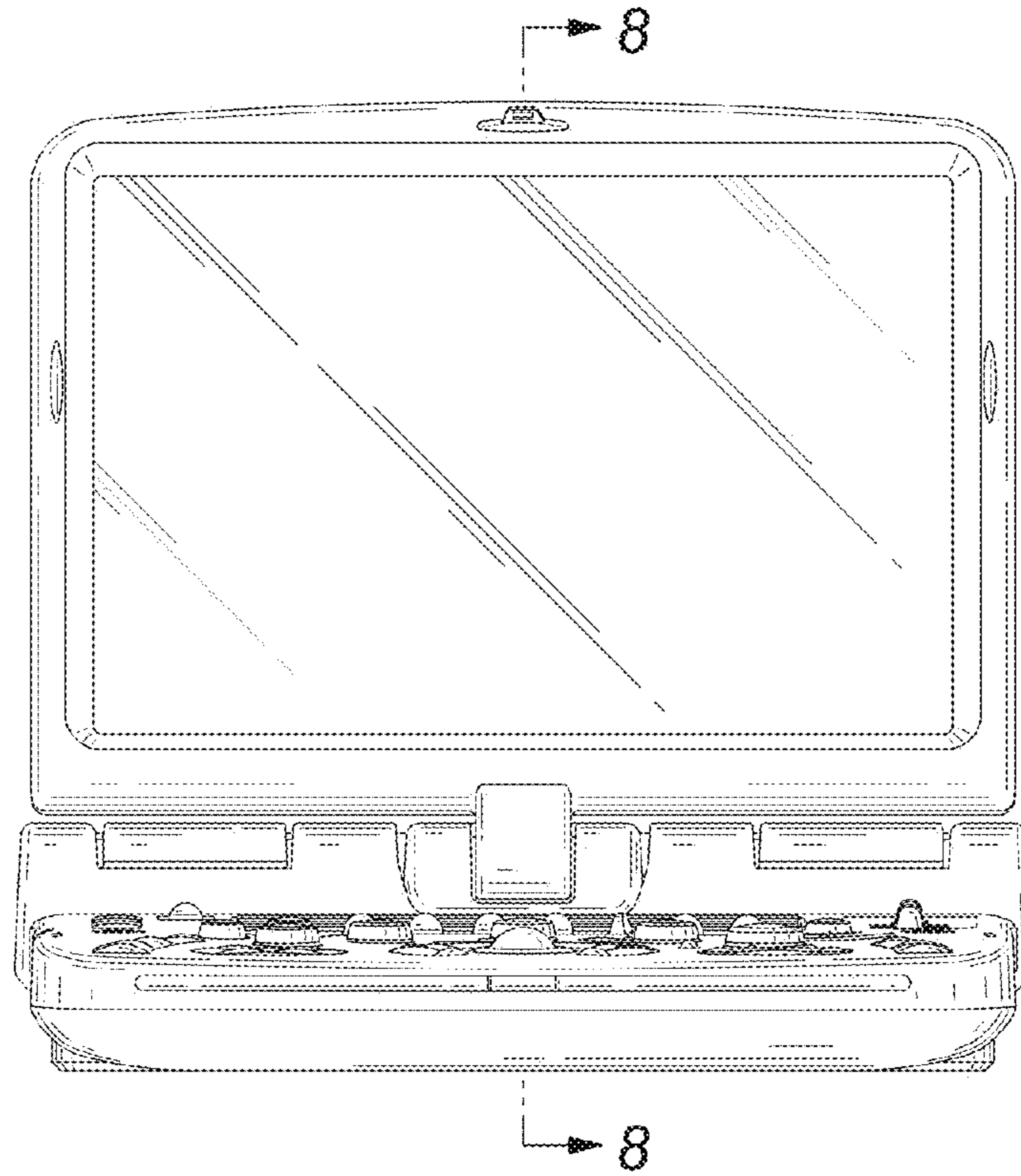


FIG. 2

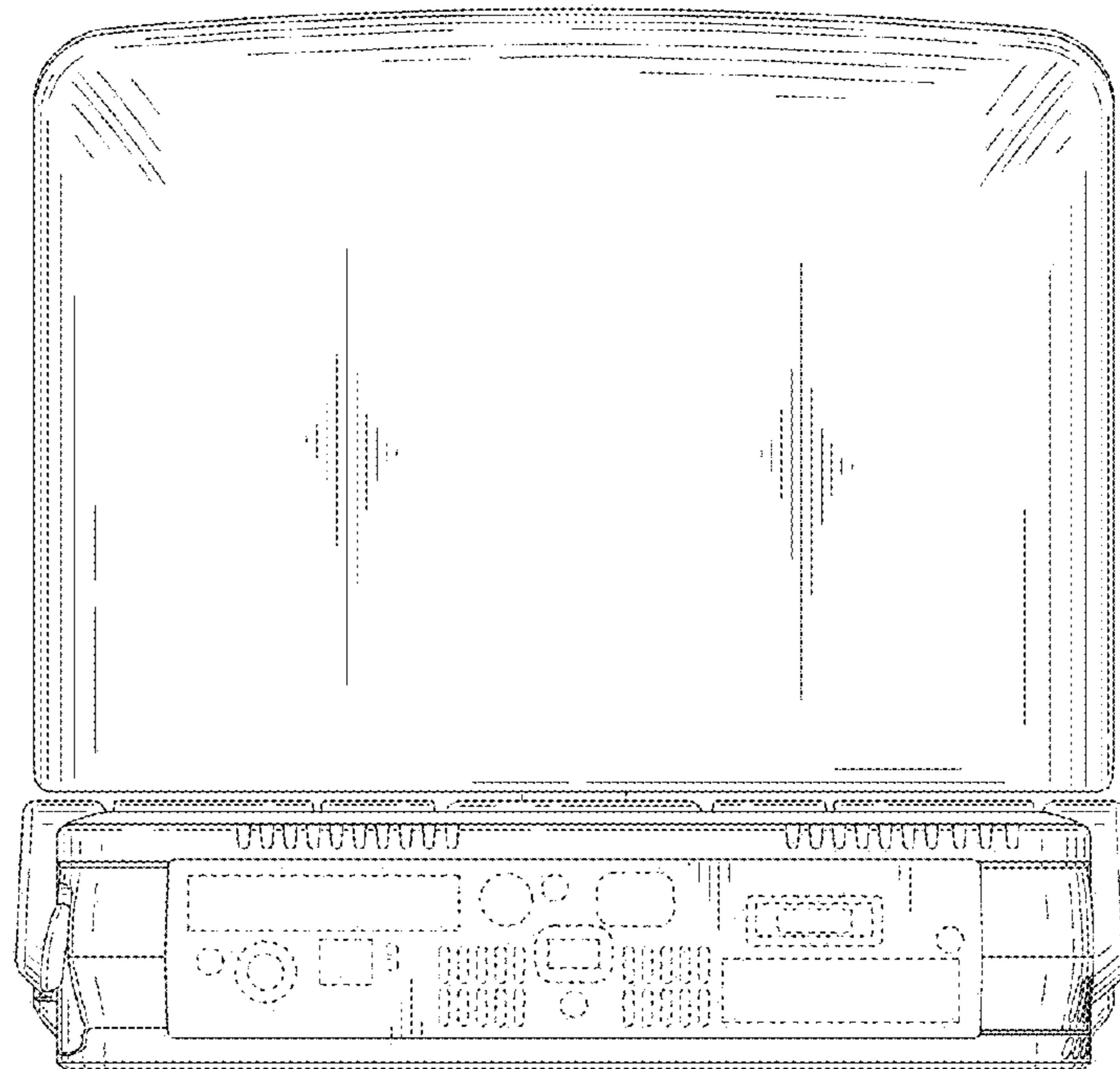


FIG. 3

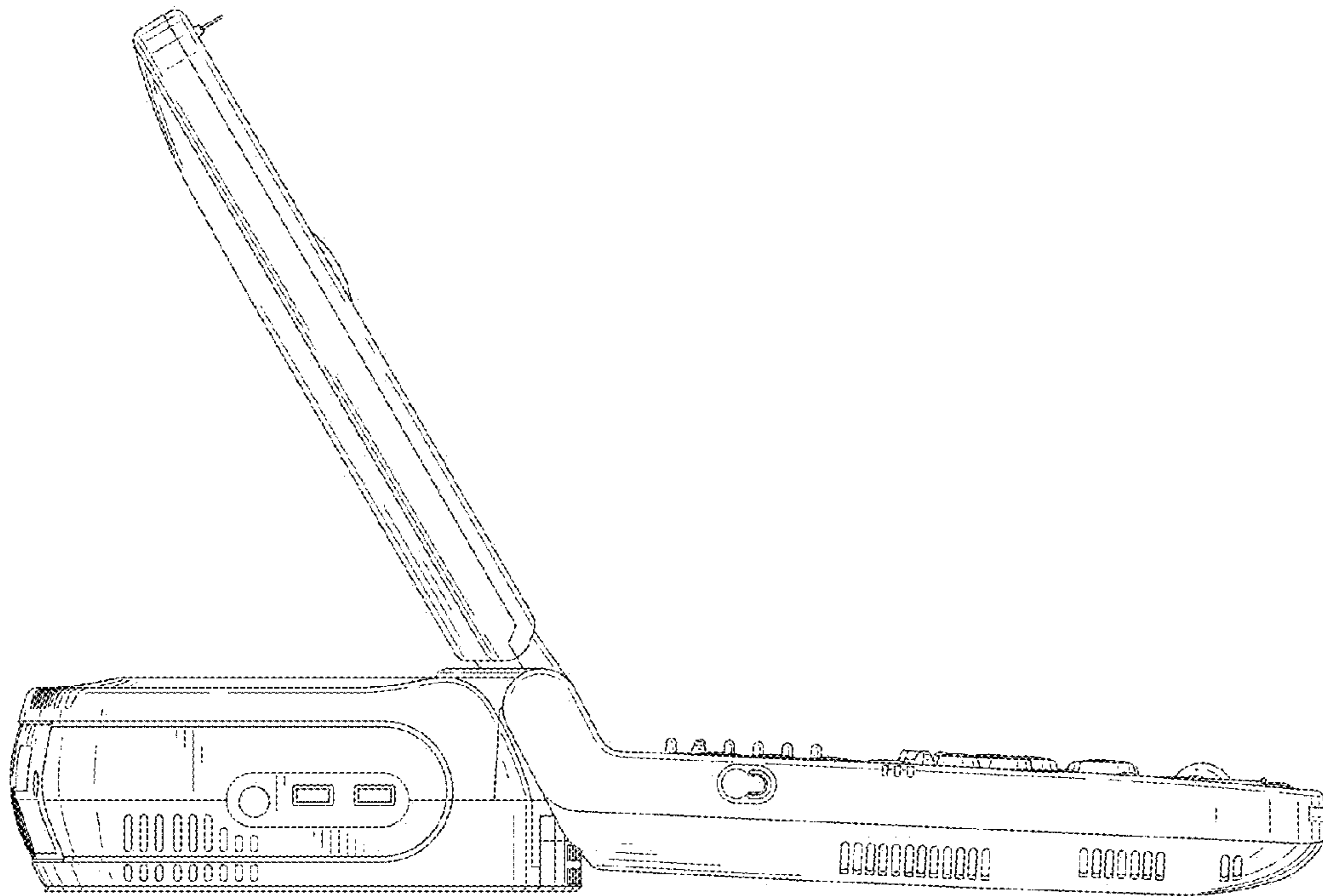


FIG. 4

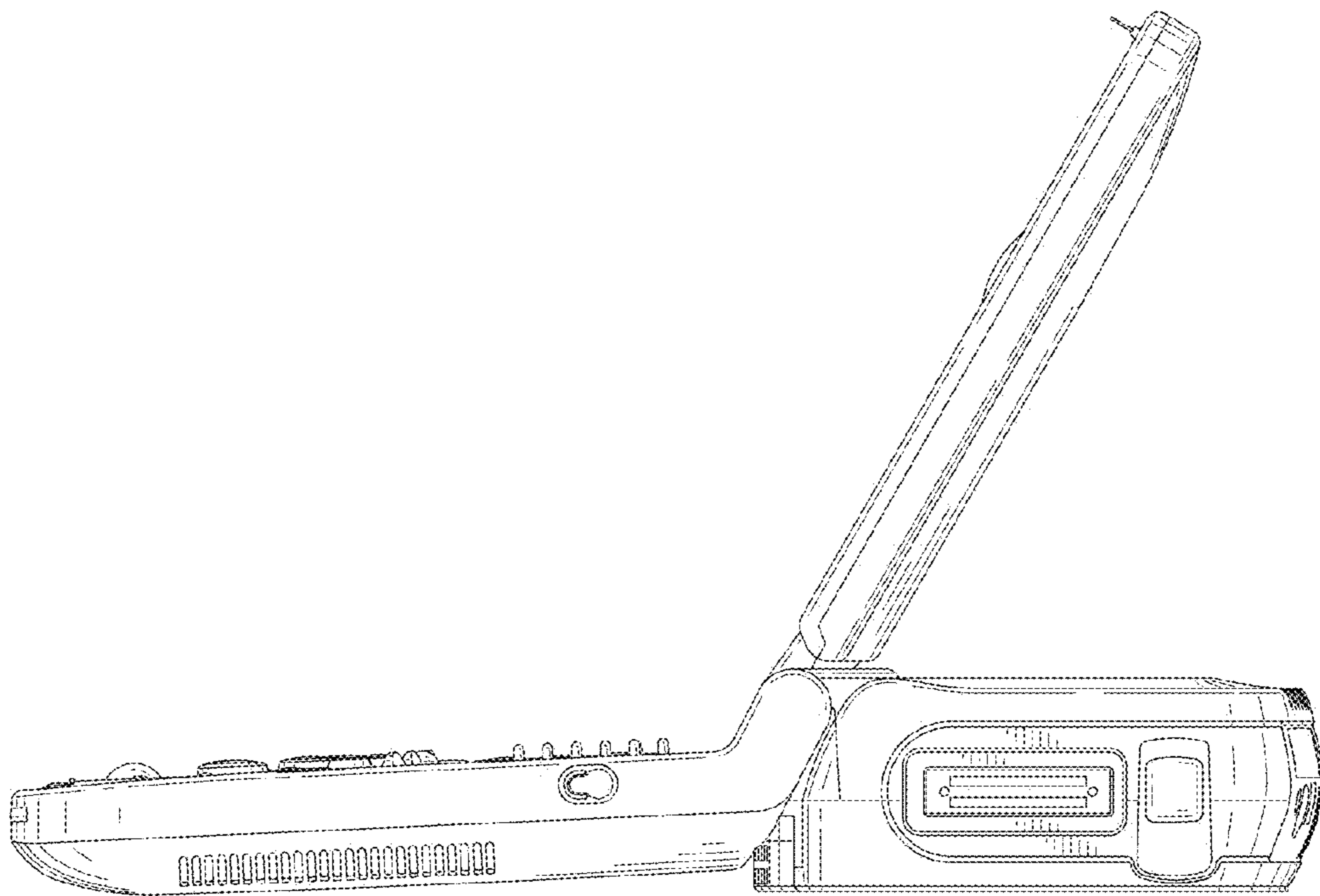


FIG. 5

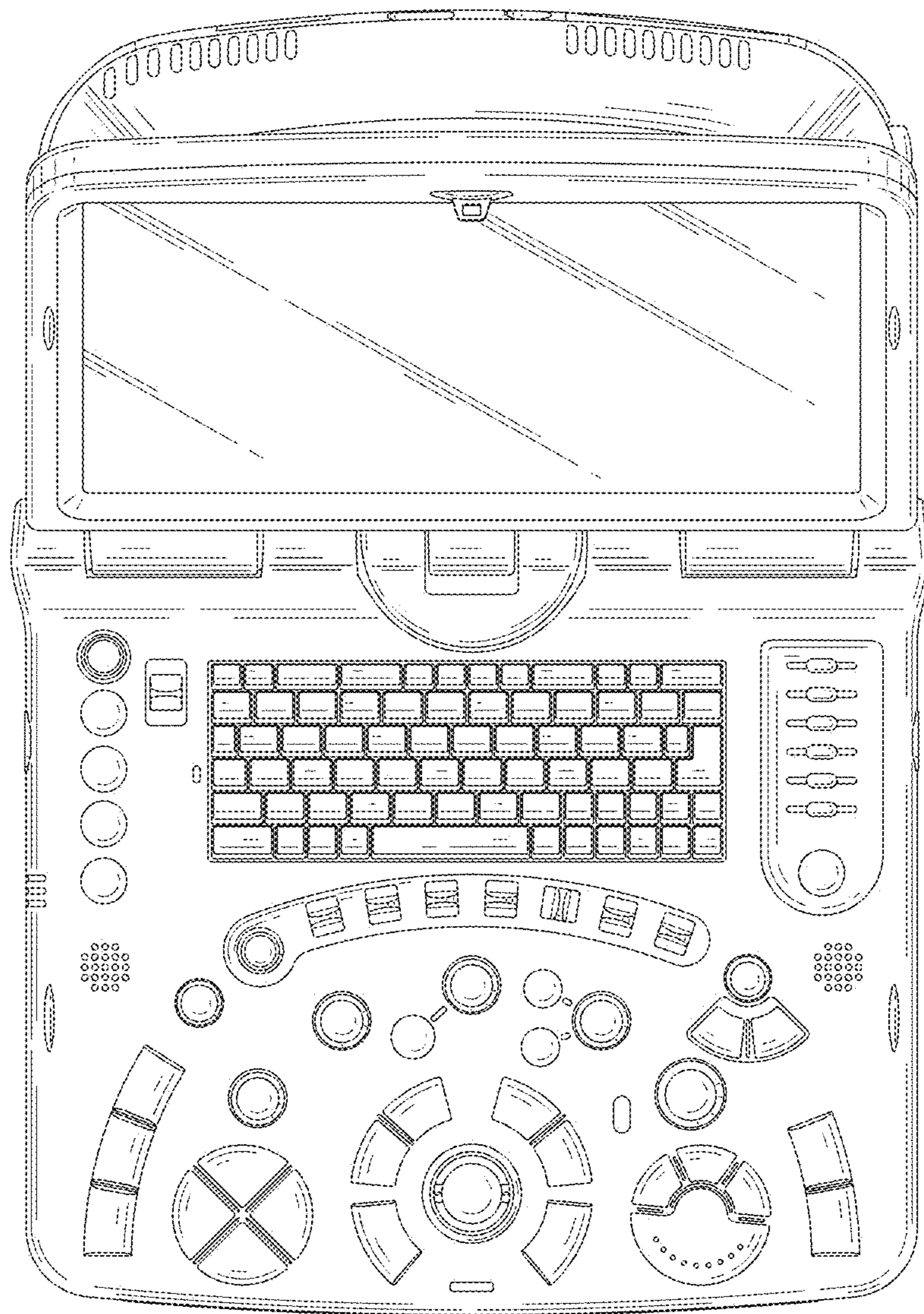


FIG. 6

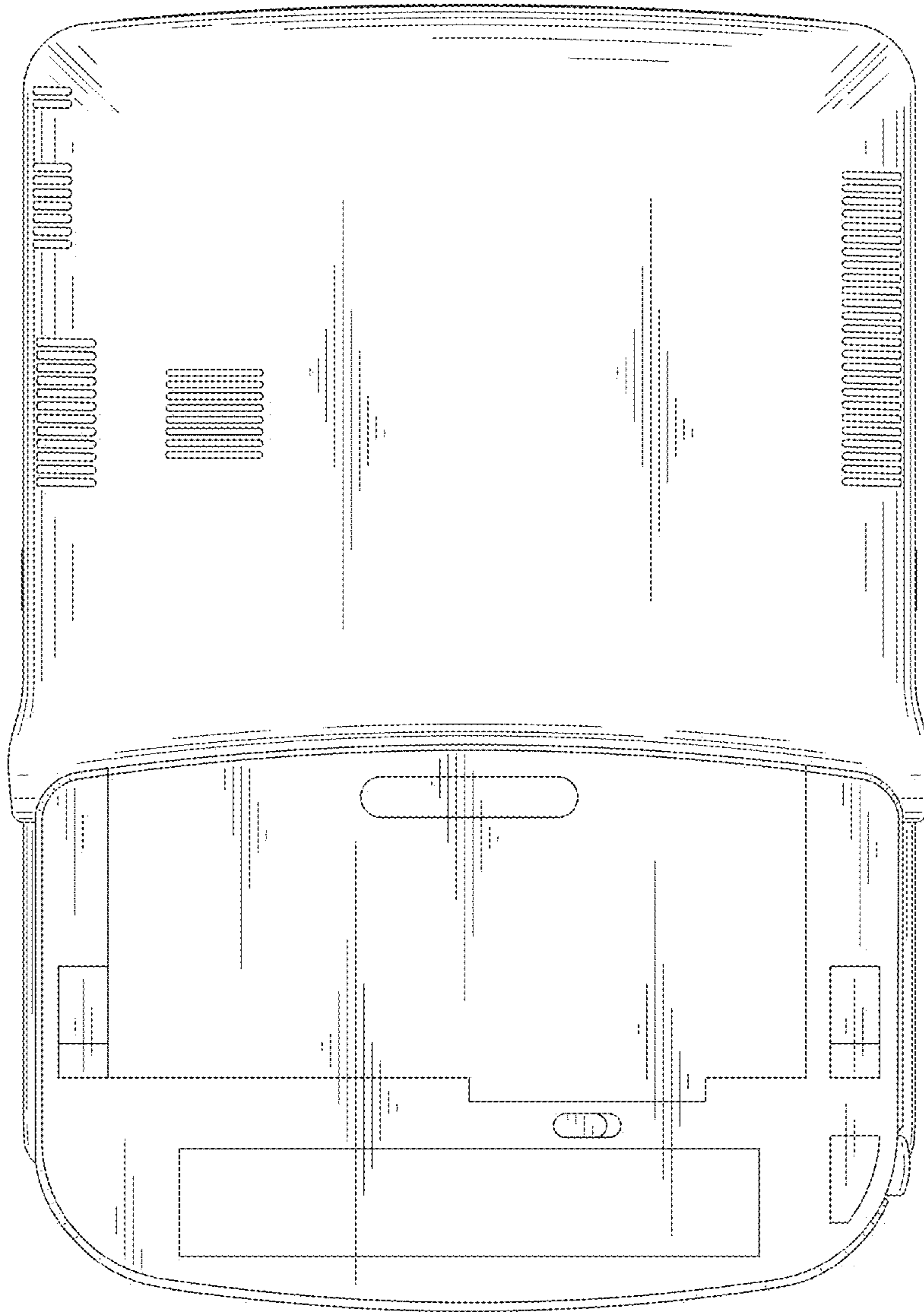


FIG. 7

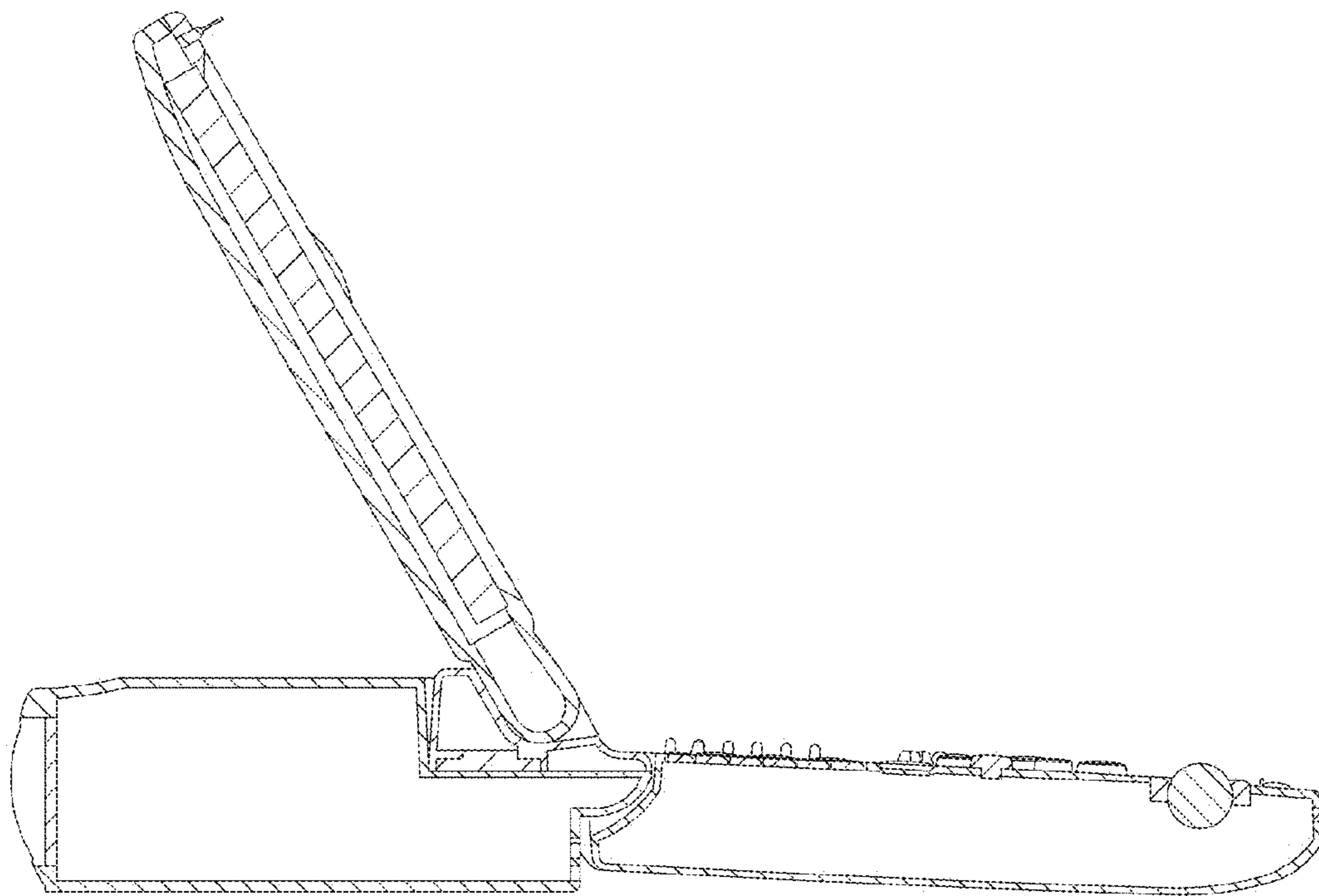


FIG. 8

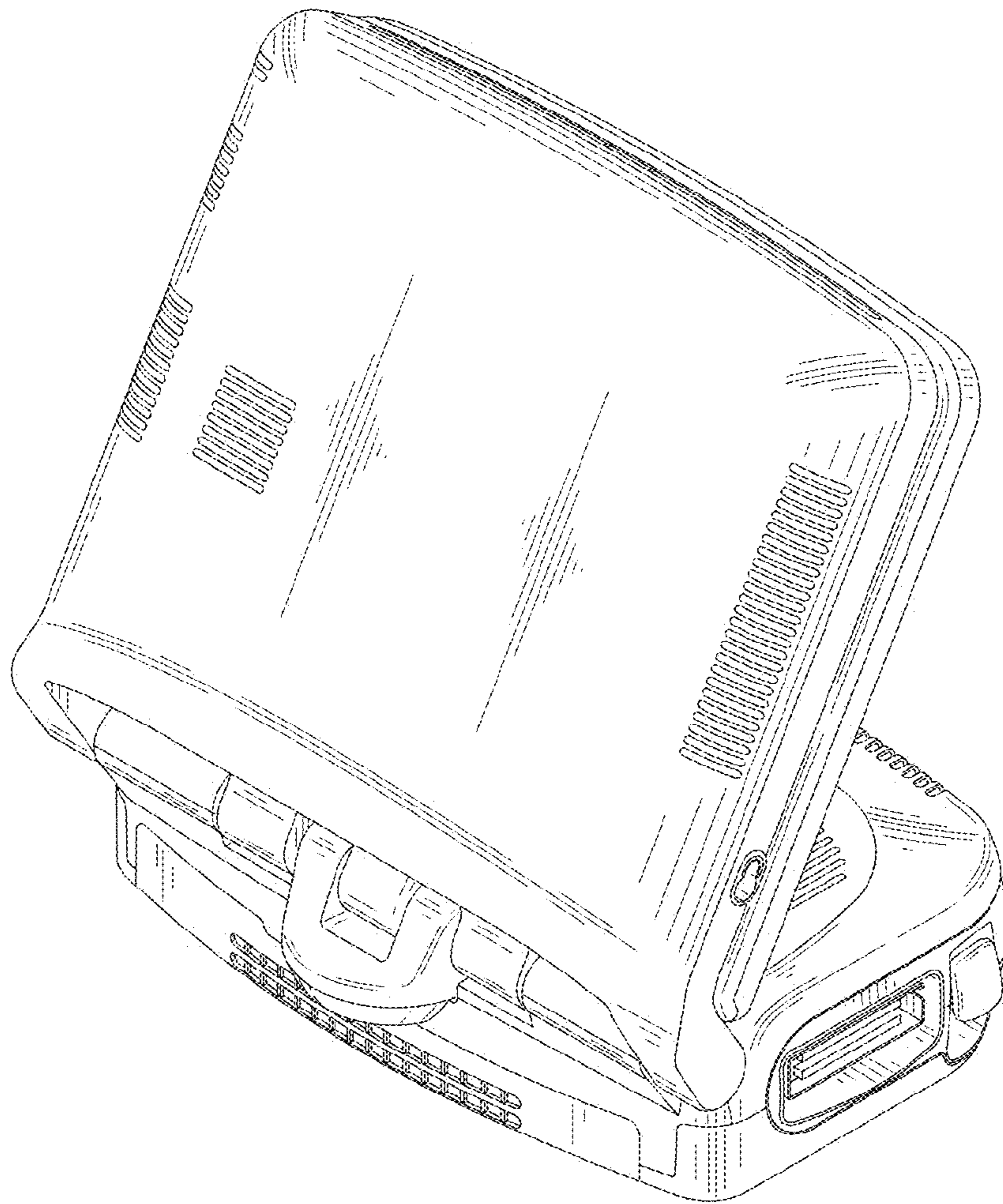


FIG. 9

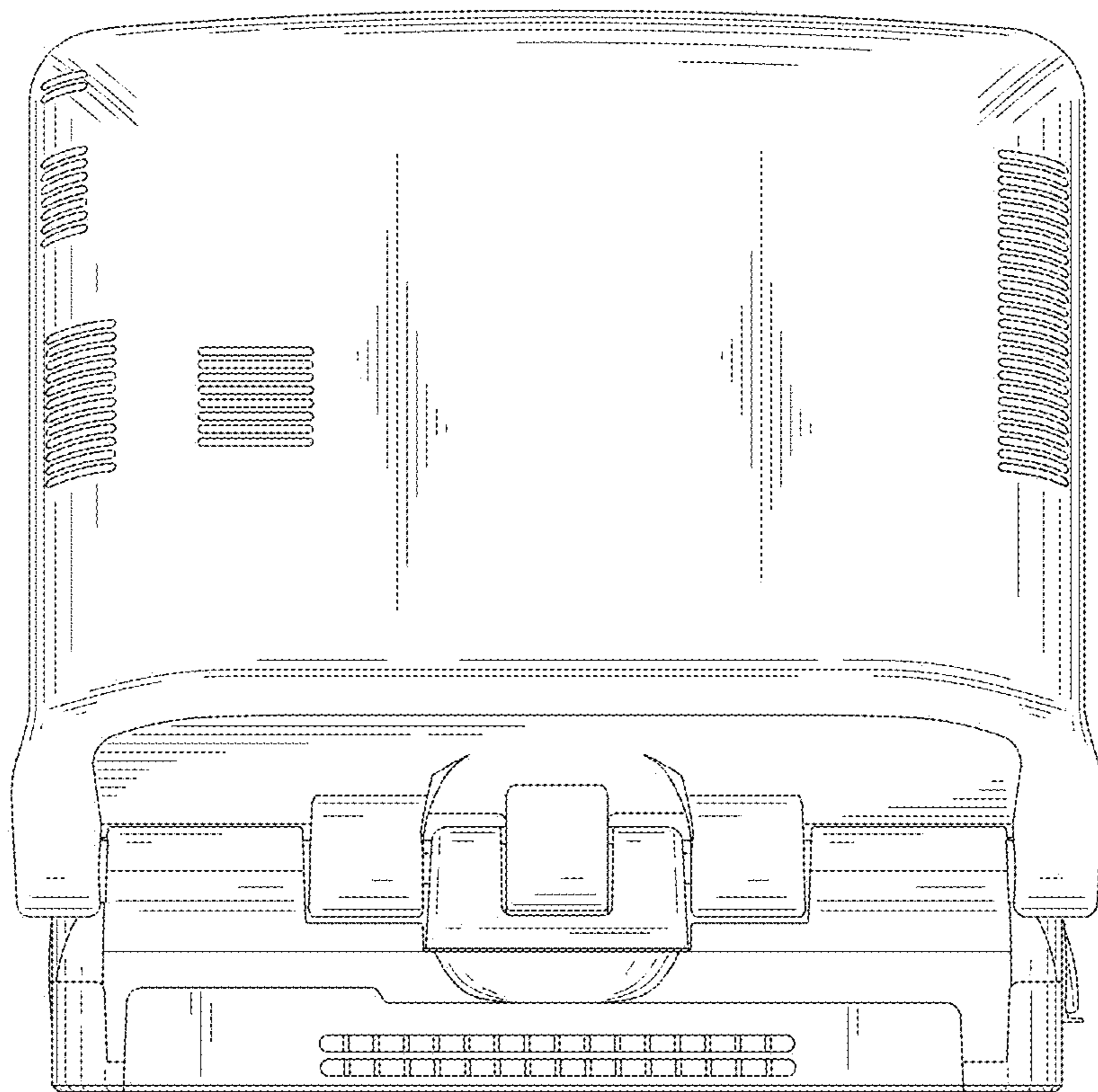


FIG. 10

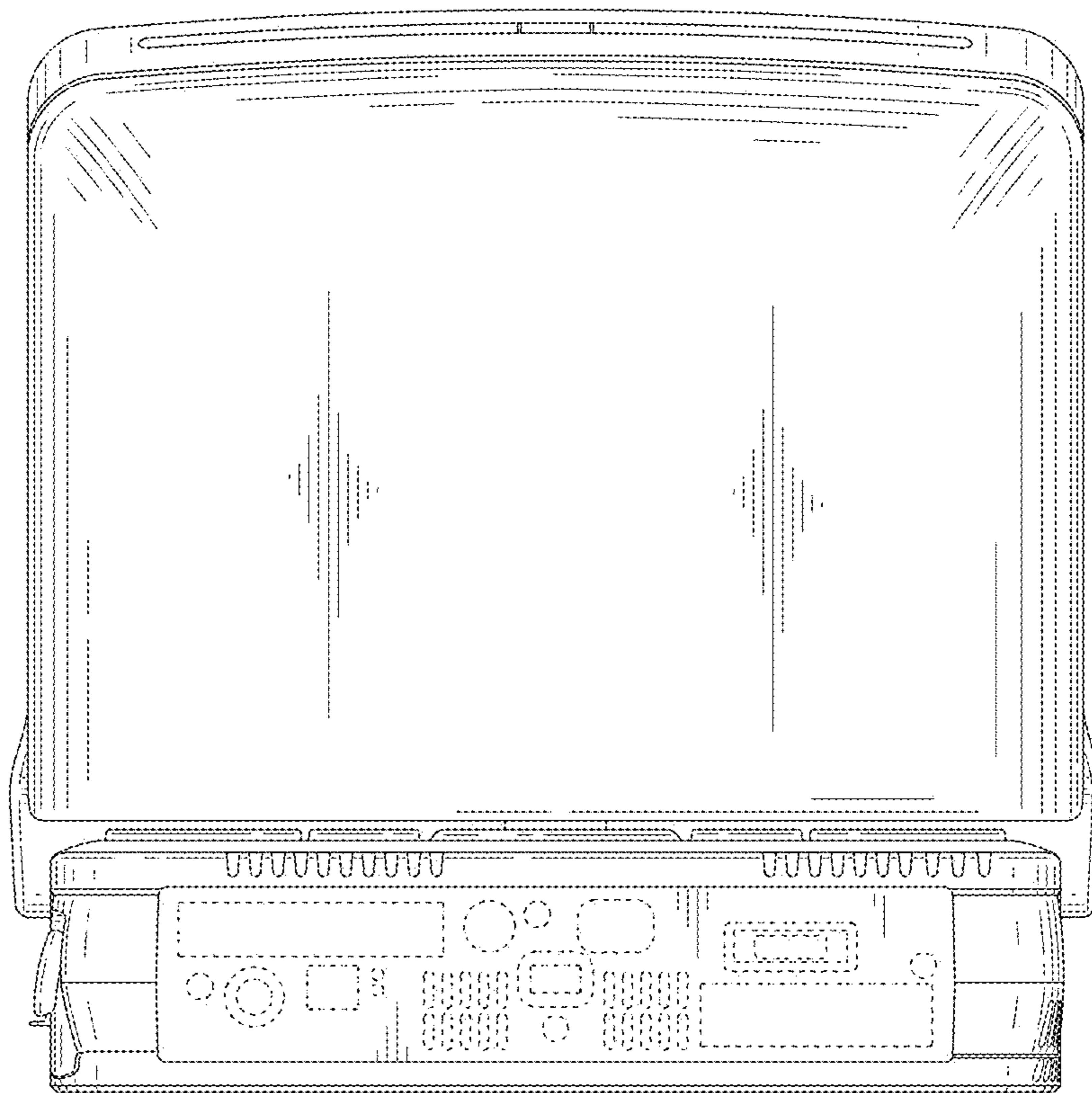


FIG. 11

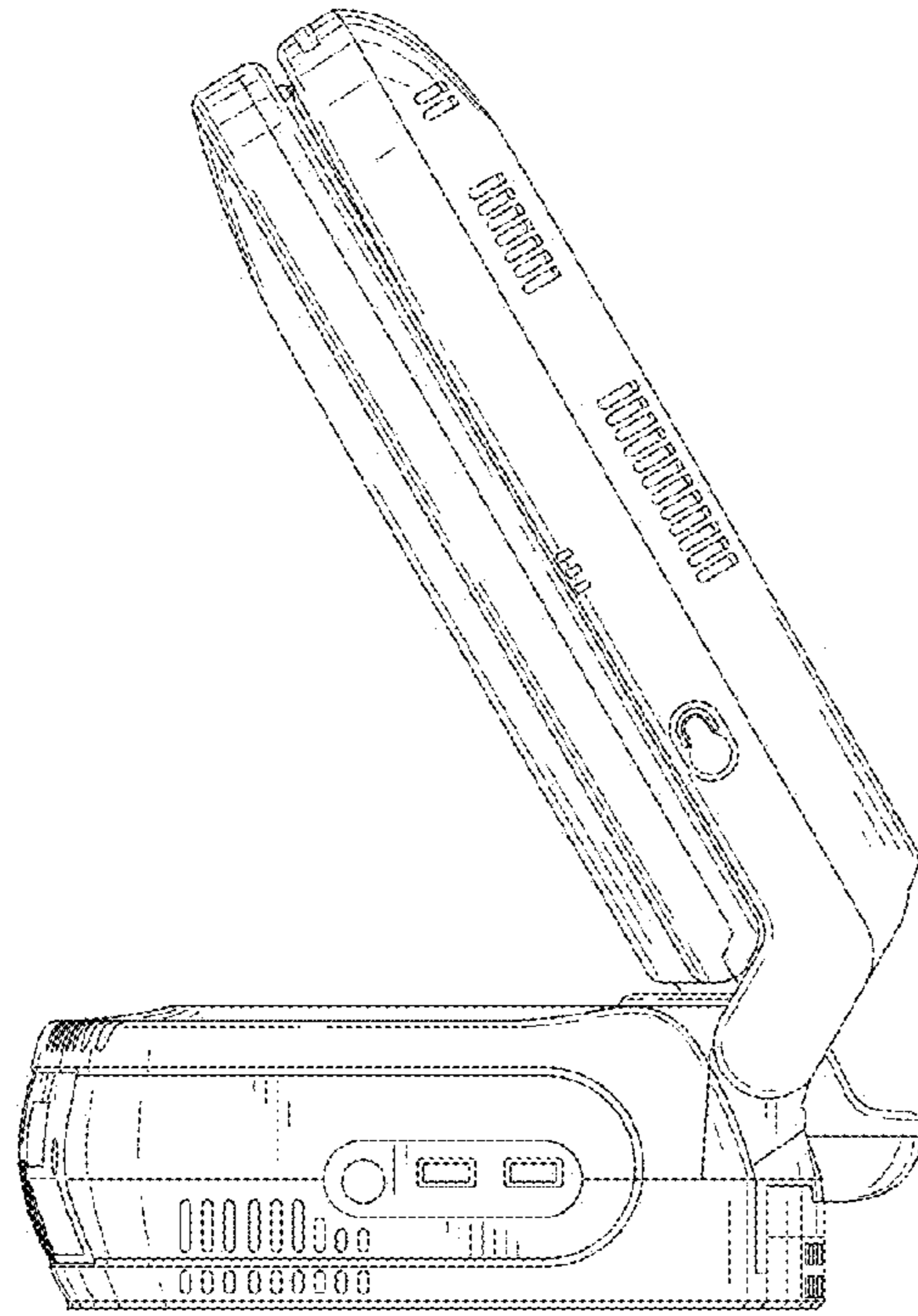


FIG. 12

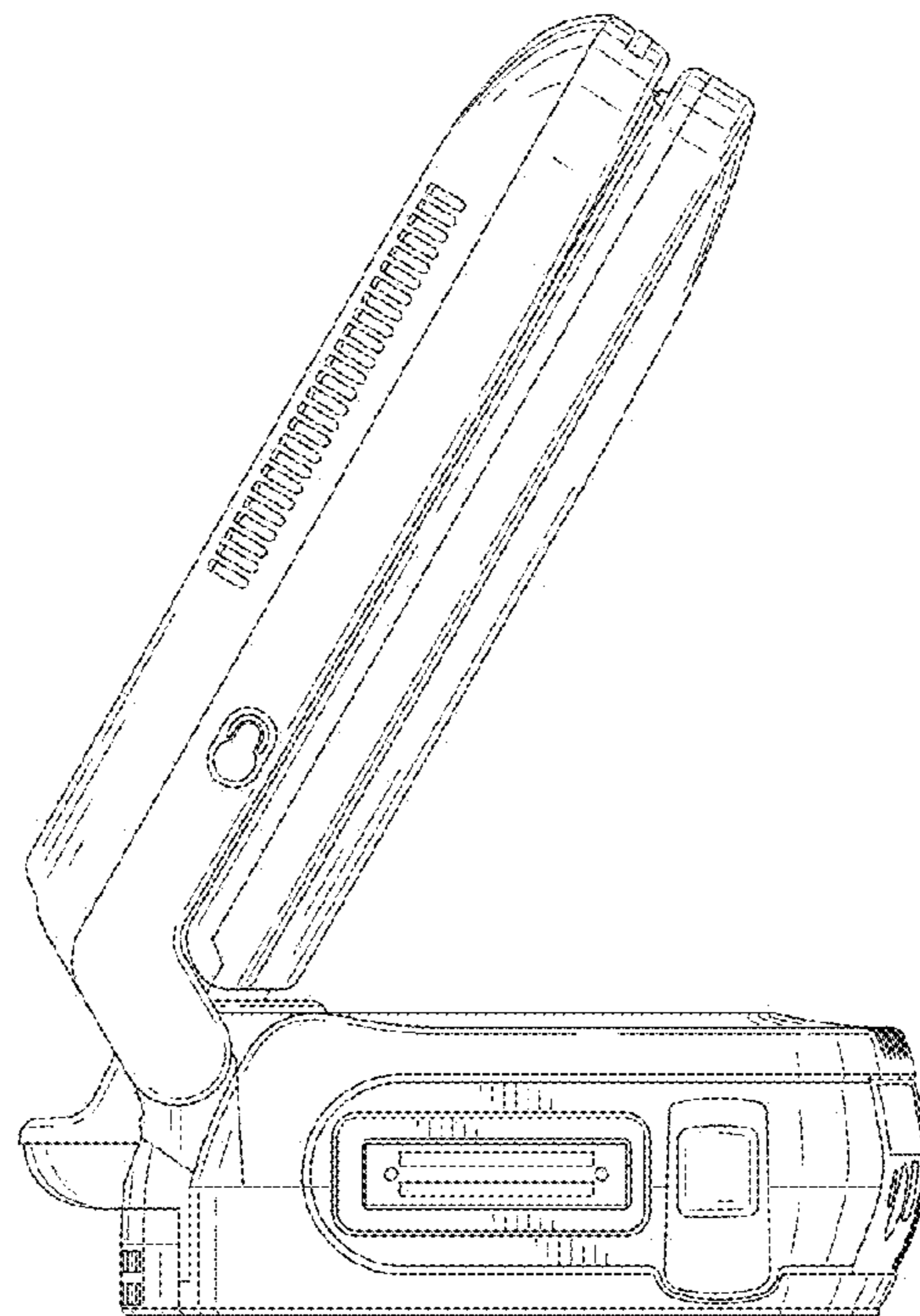


FIG. 13

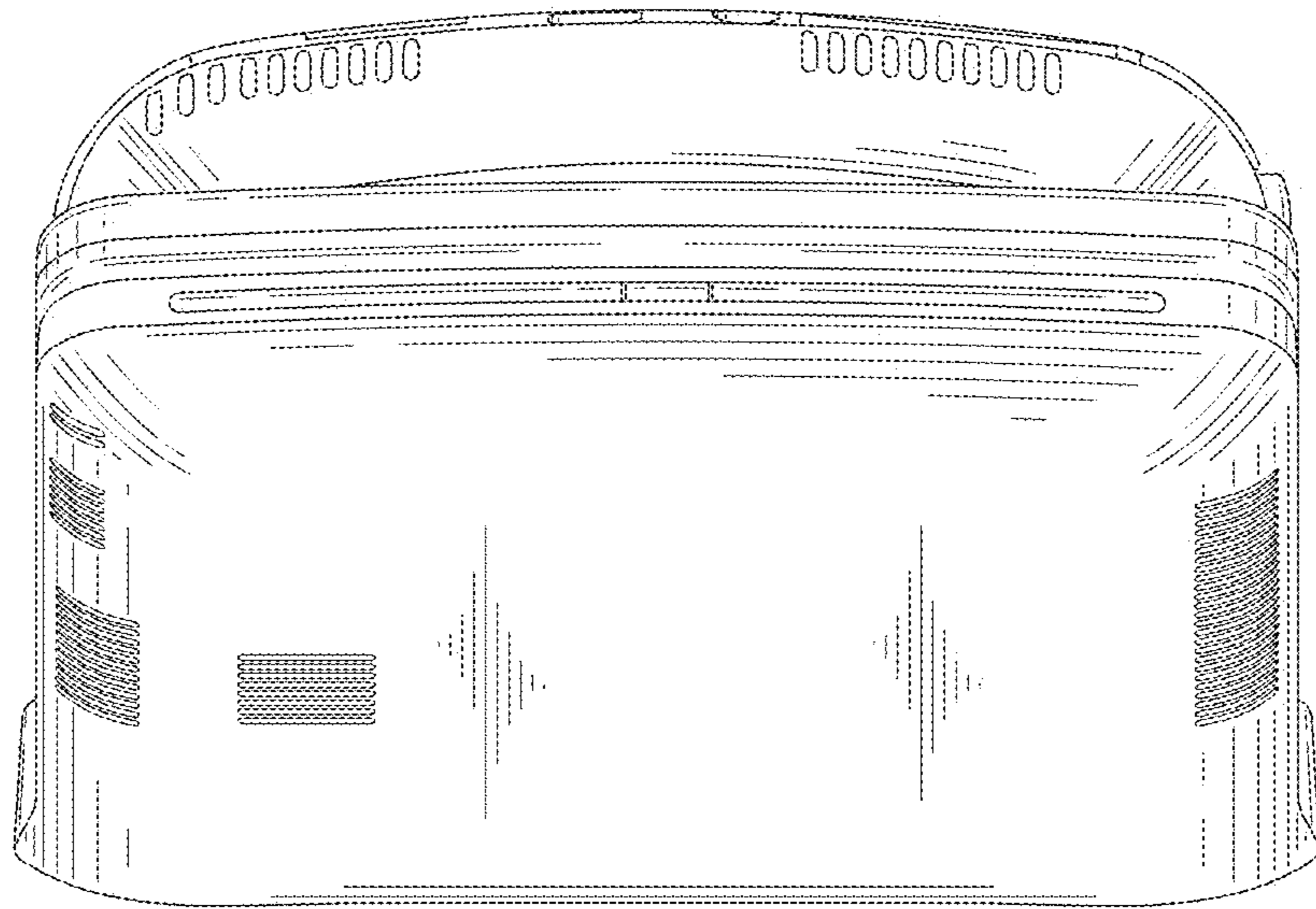


FIG. 14

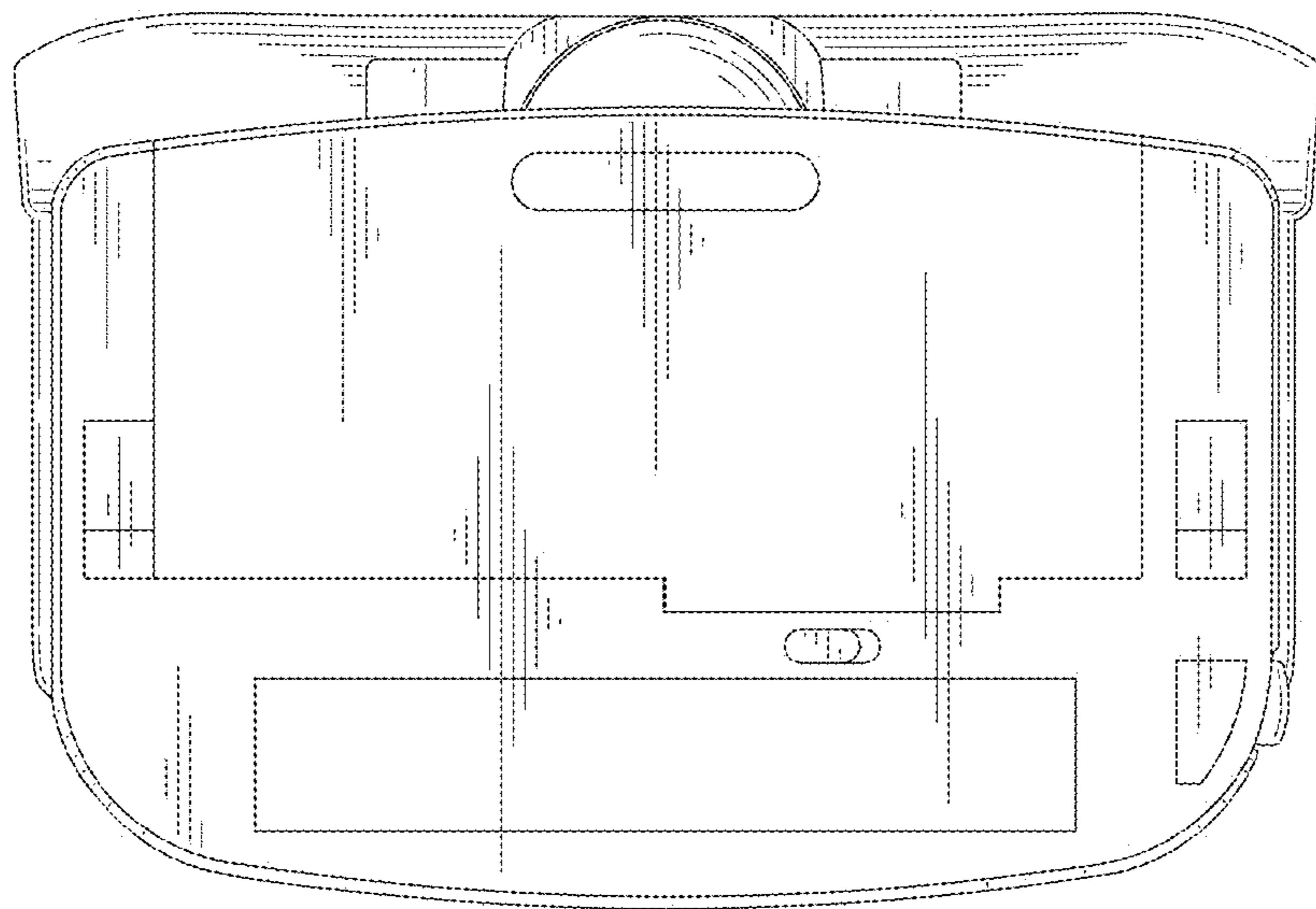


FIG. 15

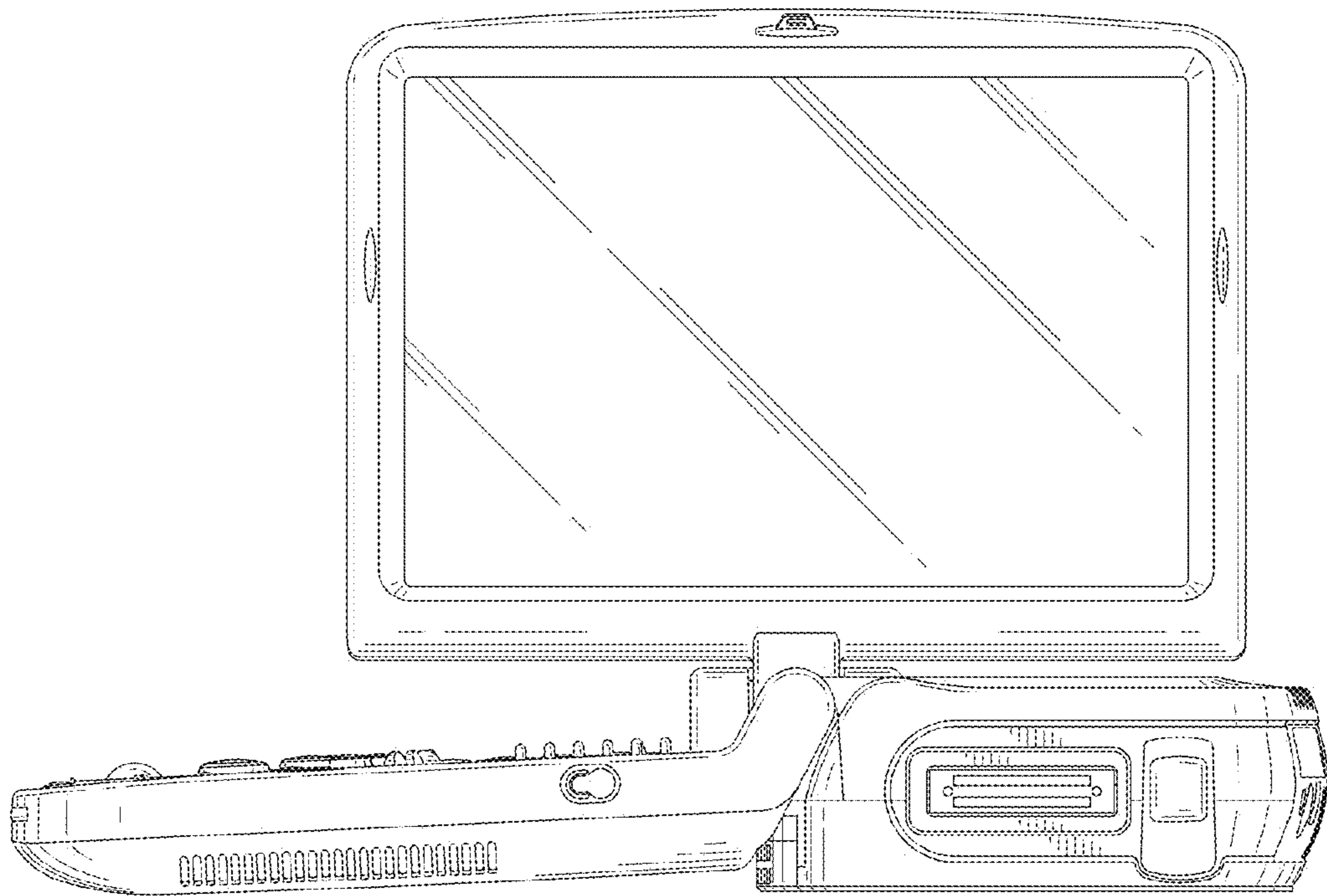


FIG. 16

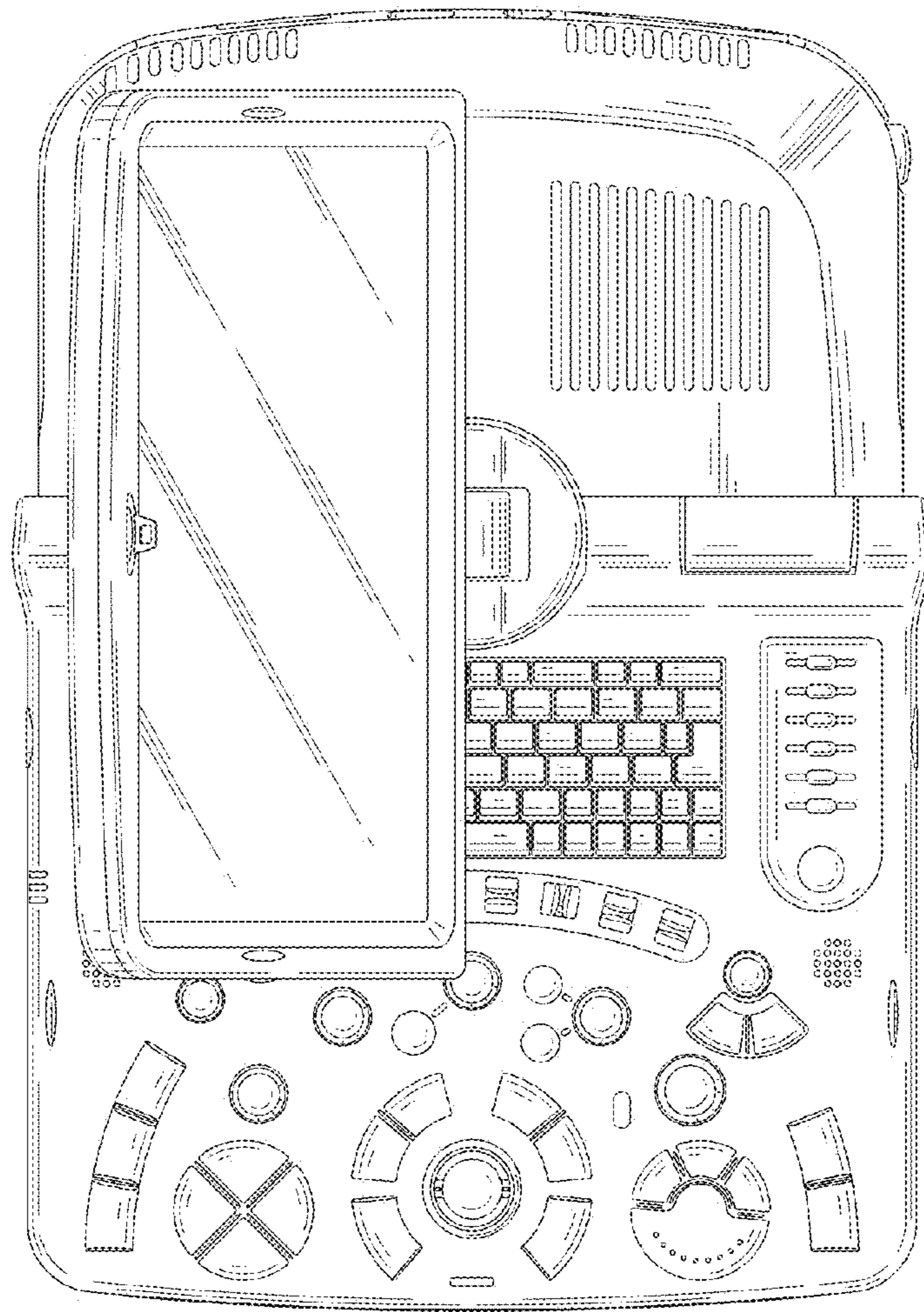


FIG. 17

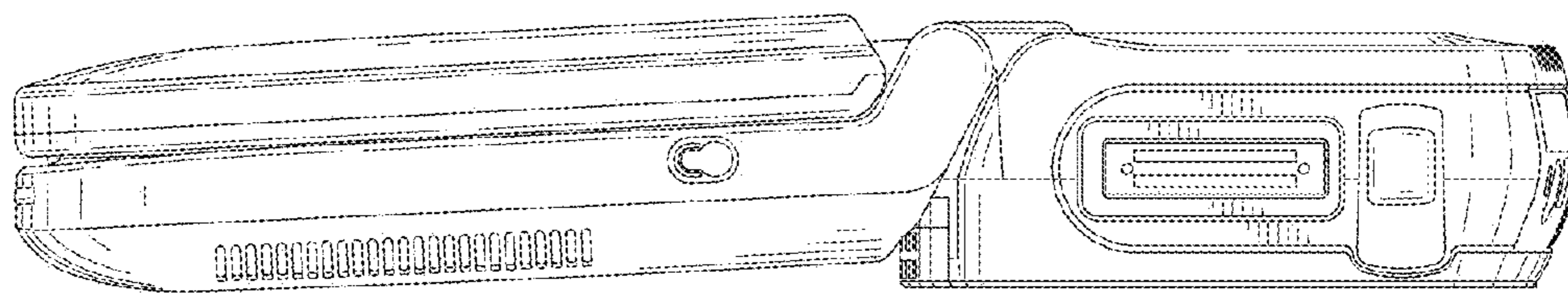


FIG. 18

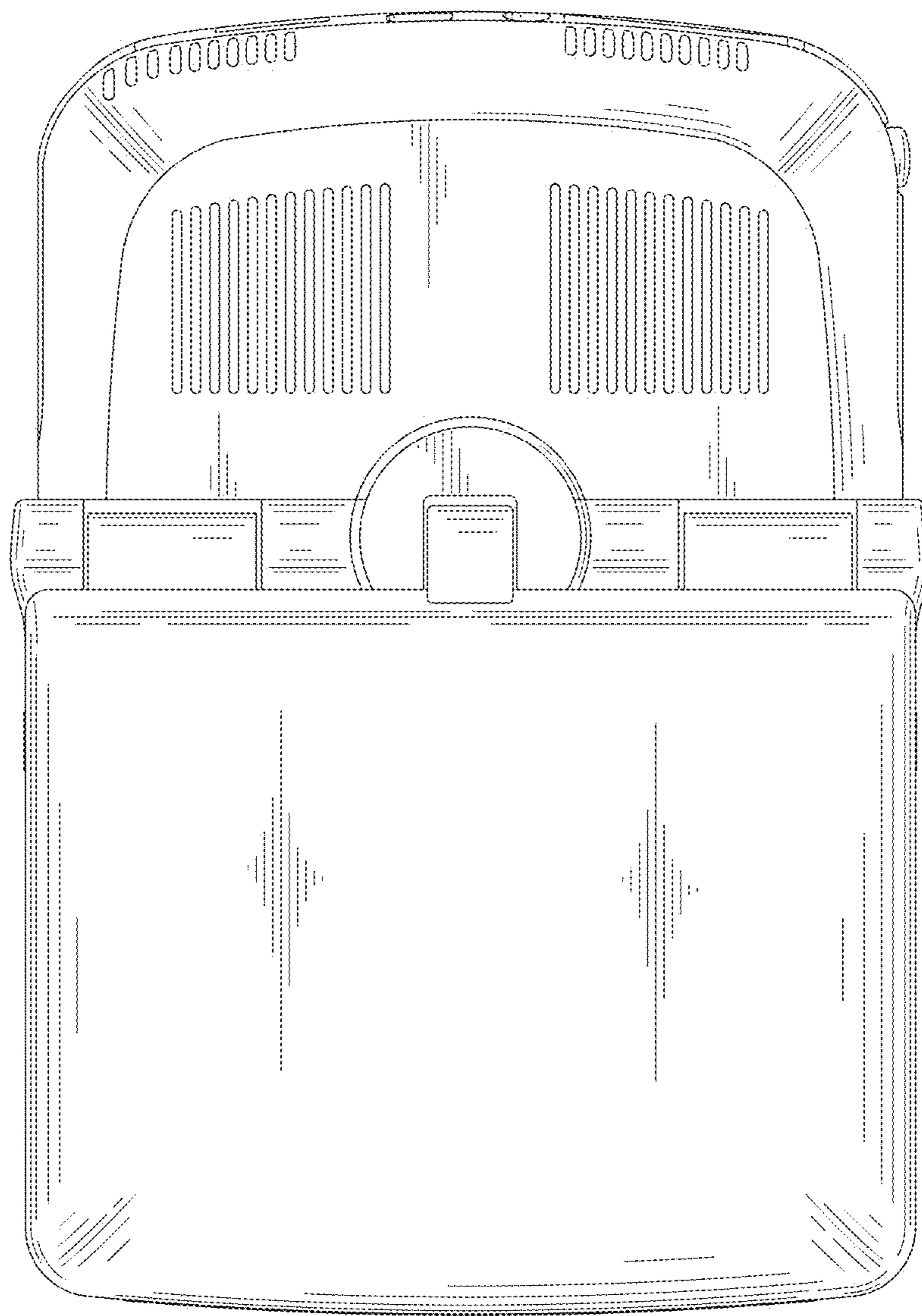


FIG. 19