



US00D697210S

(12) **United States Design Patent**
Delaney et al.

(10) **Patent No.:** **US D697,210 S**
(45) **Date of Patent:** **** Jan. 7, 2014**

(54) **HANDHELD X-RAY ANALYZER**
(75) Inventors: **Rory D. Delaney**, Slingerlands, NY
(US); **Daniel Dunham**, Averill Park, NY
(US)

(73) Assignee: **X-Ray Optical Systems, Inc.**, East
Greenbush, NY (US)

(**) Term: **14 Years**

(21) Appl. No.: **29/414,403**

(22) Filed: **Feb. 28, 2012**

(51) **LOC (10) Cl.** **24-01**

(52) **U.S. Cl.**
USPC **D24/158**

(58) **Field of Classification Search**
USPC D24/158–161, 185, 186; 378/4, 15, 17,
378/20, 21, 23–27, 62, 68, 146, 195–198,
378/44–47

See application file for complete search history.

(56) **References Cited**

U.S. PATENT DOCUMENTS

D461,895 S * 8/2002 Barnes et al. D24/158
D562,456 S * 2/2008 Scruggs et al. D24/160
7,916,834 B2 * 3/2011 Piorek et al. 378/44
D639,434 S * 6/2011 Wodecki et al. D24/160

D659,840 S * 5/2012 Cheng et al. D24/186
D669,182 S * 10/2012 Prado D24/158
2005/0053199 A1 * 3/2005 Miles 378/197
2010/0278312 A1 * 11/2010 Ortiz 378/195

* cited by examiner

Primary Examiner — Anhdao Doan

(74) *Attorney, Agent, or Firm* — Jeff Klembczyk, Esq.;
Kevin P. Radigan, Esq.; Heslin Rothenberg Farley & Mesiti
P.C.

(57) **CLAIM**

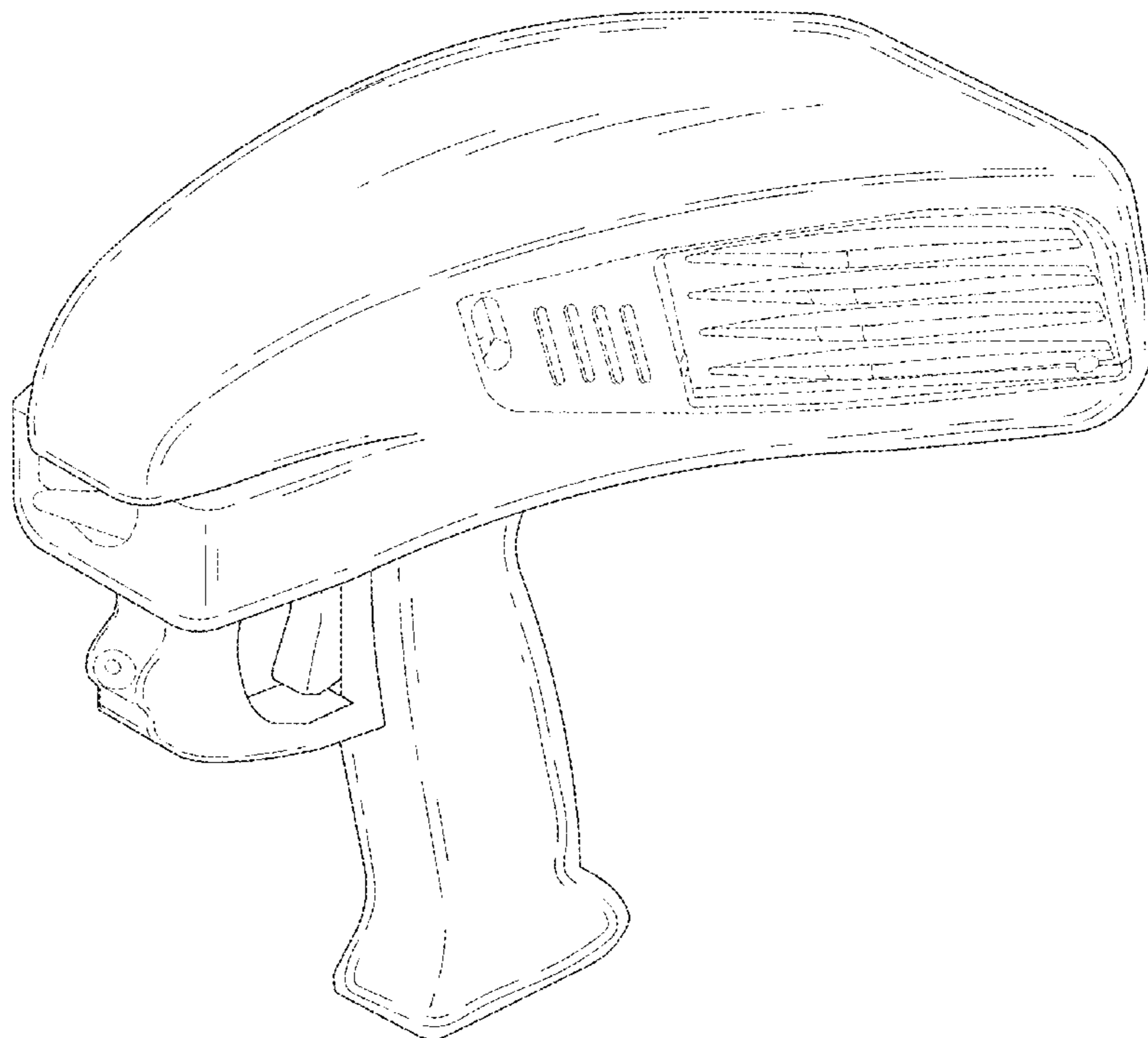
The ornamental design for a handheld x-ray analyzer, as
shown and described.

DESCRIPTION

FIG. 1 is a perspective view of a handheld x-ray analyzer
comprising the new design;
FIG. 2 is a left side elevational view thereof;
FIG. 3 is a right side elevational view thereof;
FIG. 4 is a front view thereof;
FIG. 5 is a rear view thereof;
FIG. 6 is a top view thereof; and,
FIG. 7 is a bottom view thereof.

The broken lines in the drawing views are included for the
purpose of illustrating portions of the handheld x-ray ana-
lyzer that form no part of the claimed design.

1 Claim, 5 Drawing Sheets



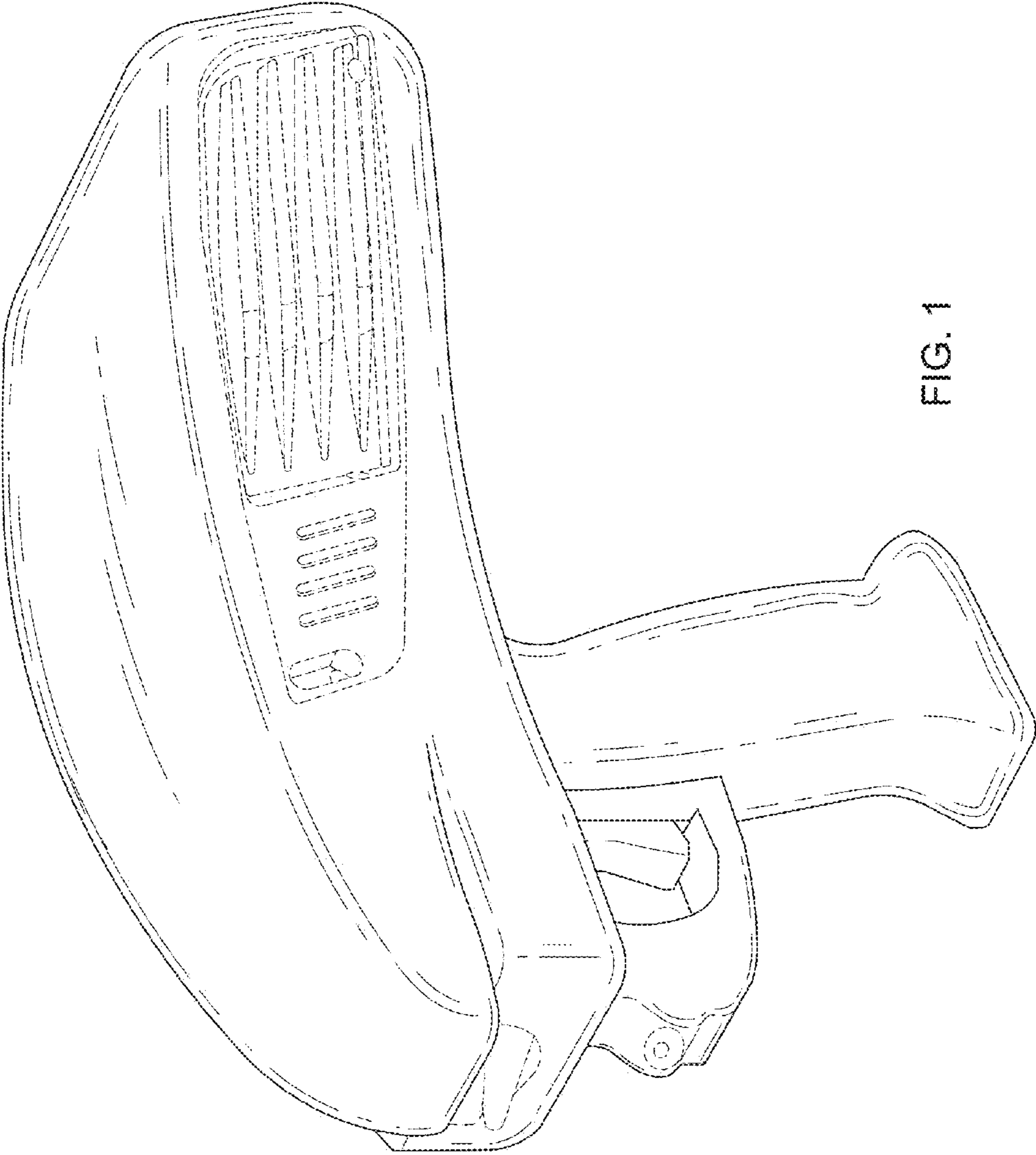


FIG. 1

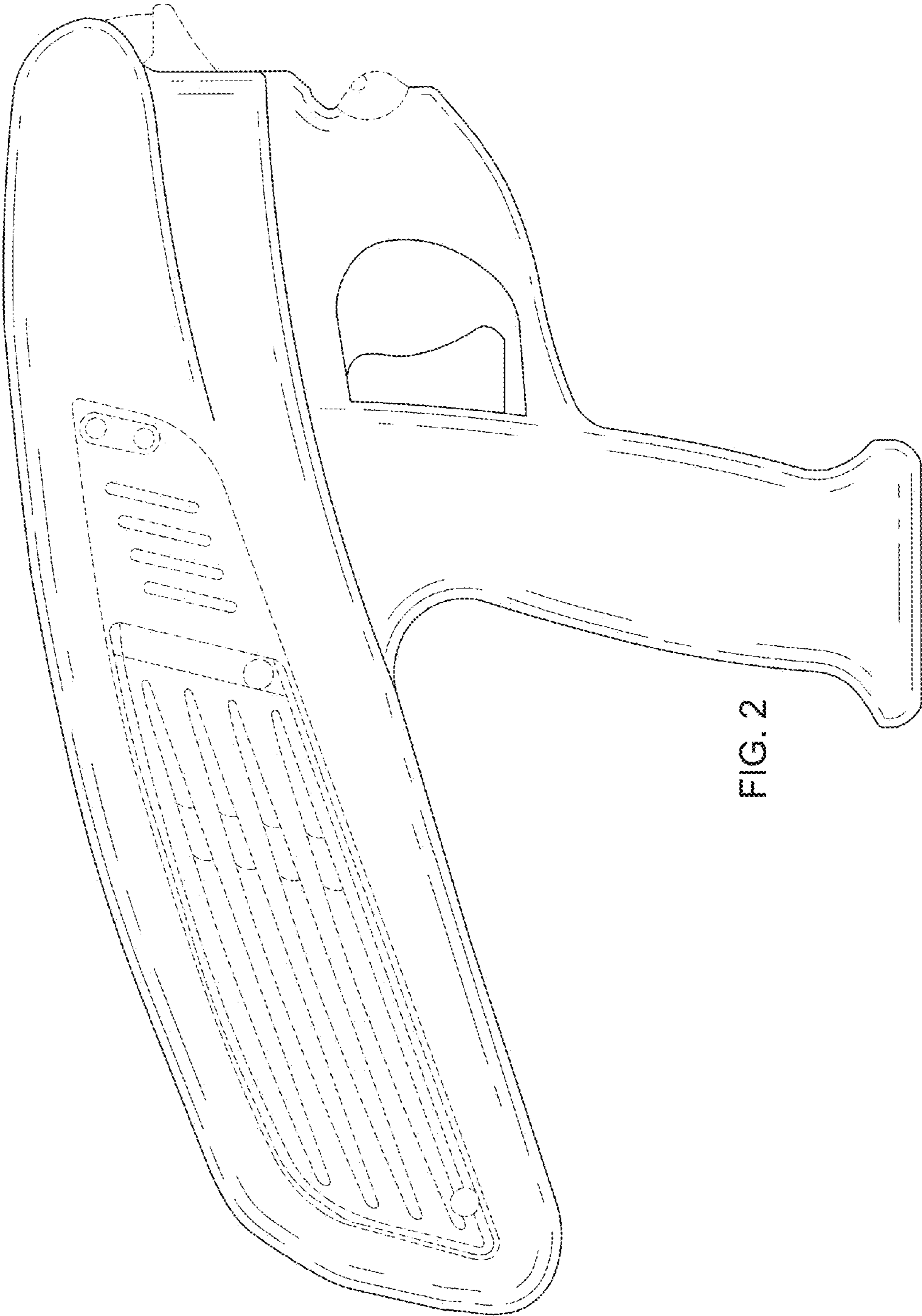


FIG. 2

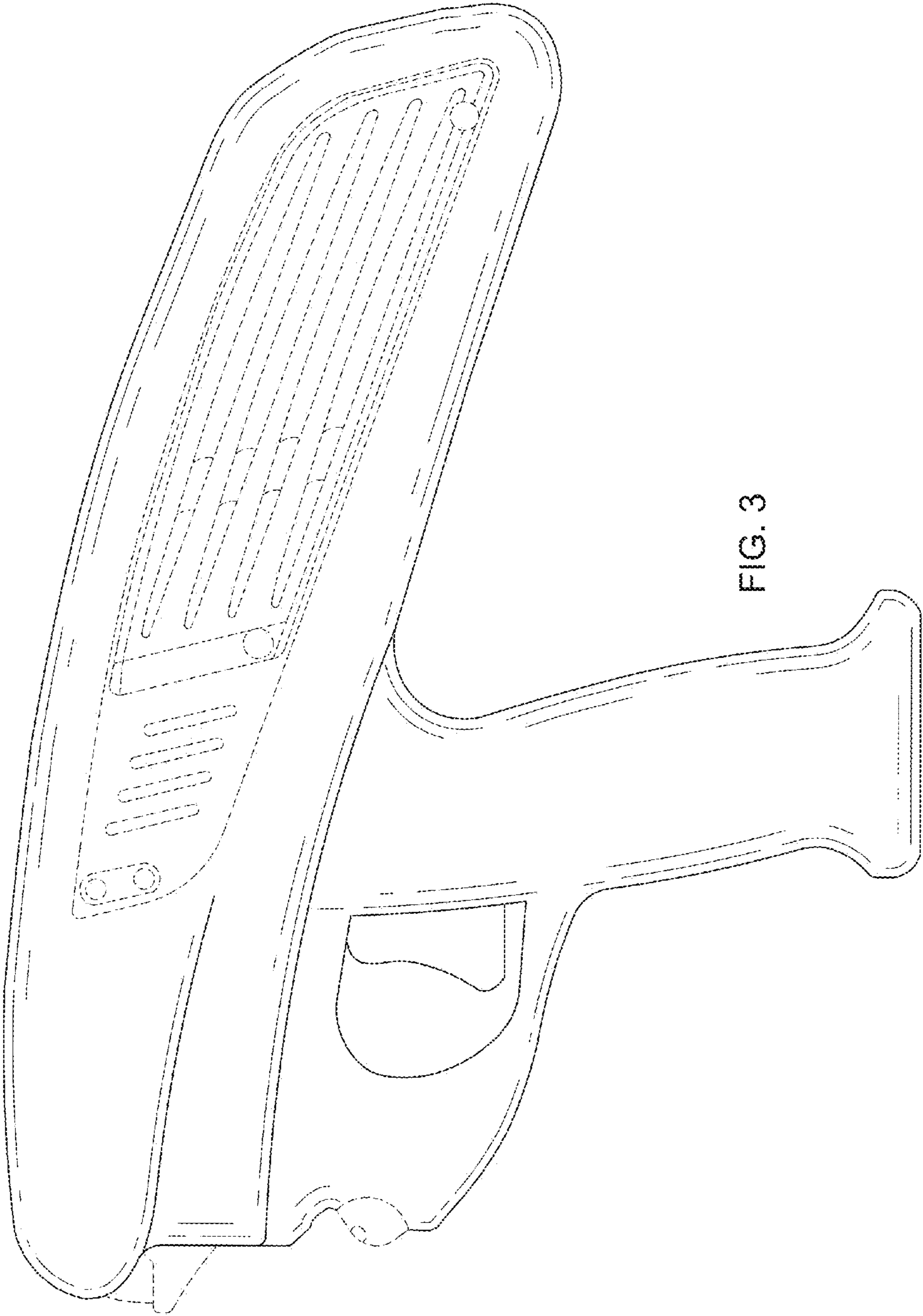


FIG. 3

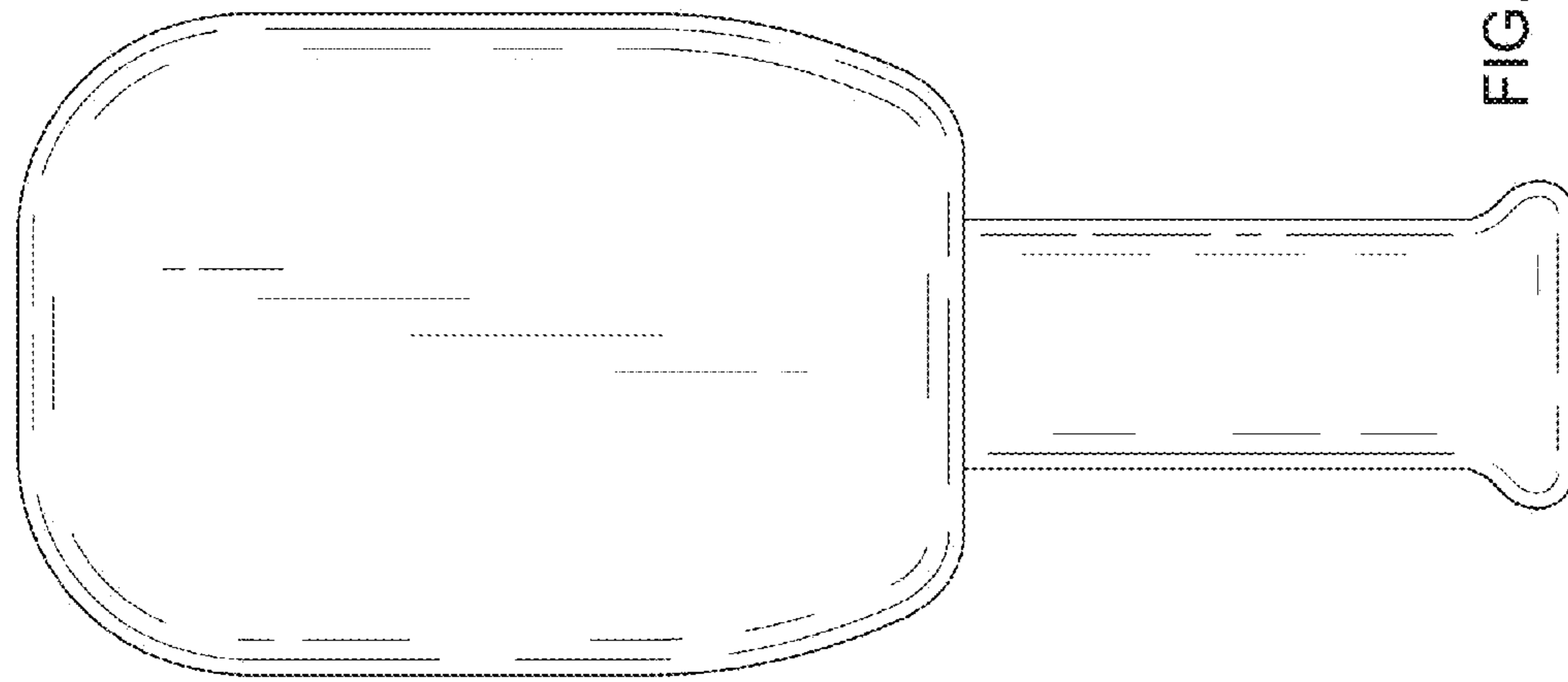


FIG. 5

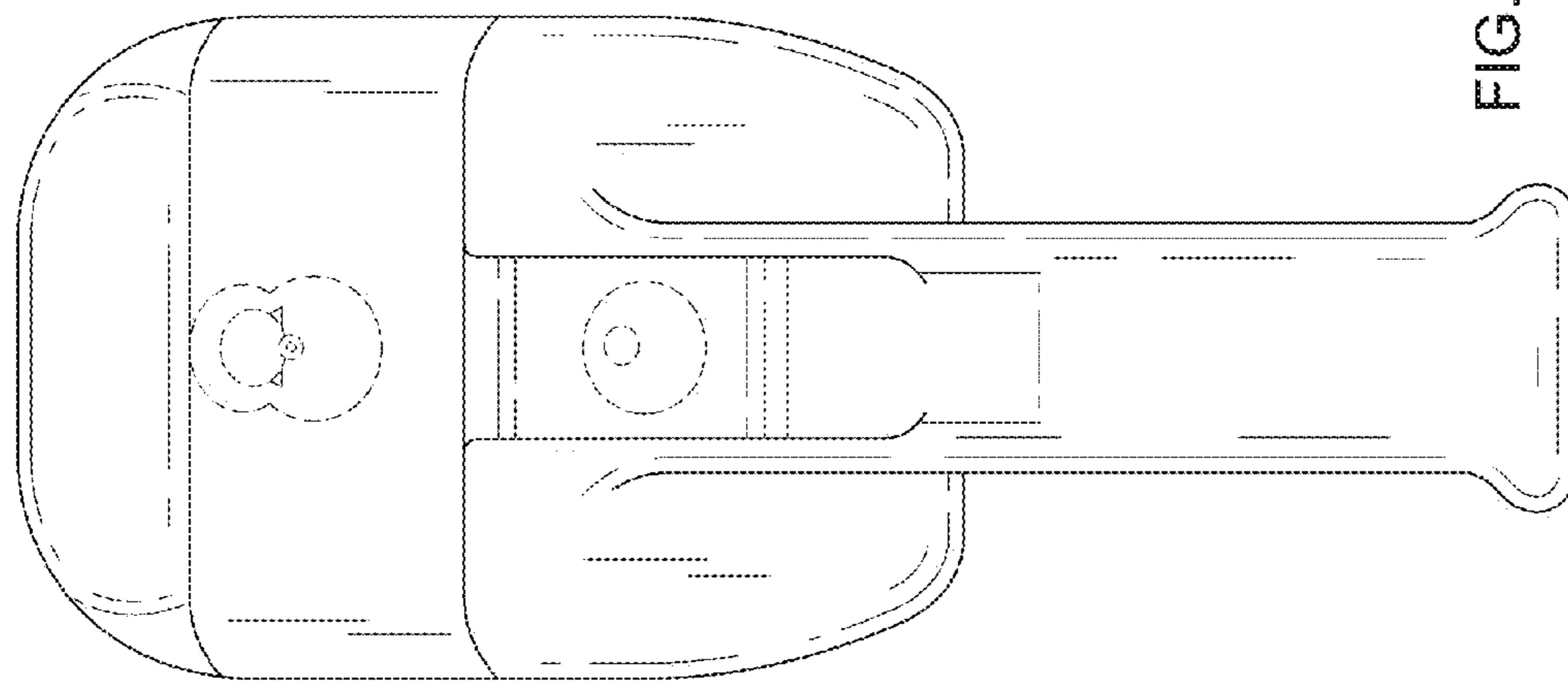


FIG. 4

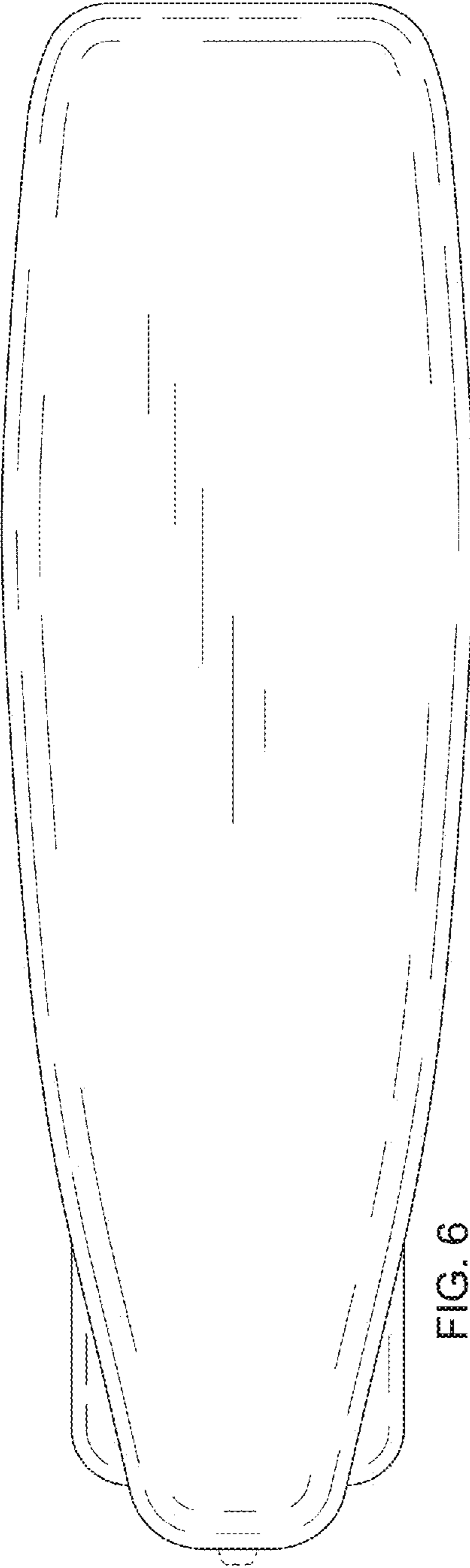


FIG. 6

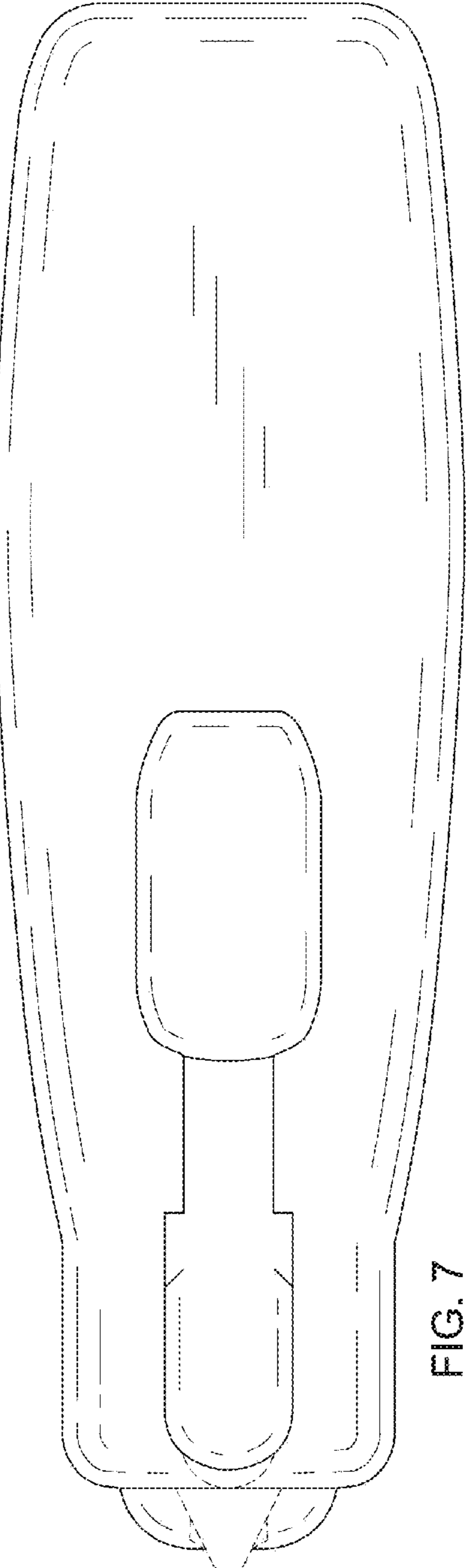


FIG. 7