



US00D697203S

(12) **United States Design Patent**
Clarke et al.

(10) **Patent No.:** **US D697,203 S**
(45) **Date of Patent:** **** Jan. 7, 2014**

(54) **NASAL MASK ASSEMBLY**

(75) Inventors: **Jaime Clarke**, New Castle, PA (US);
Joshua Greenberg, Pittsburgh, PA (US);
Jonathan Paul McCaslin, Renfrew, PA
(US); **Maureen Harp**, Freedom, PA
(US); **Anthony Startare**, Belle Vernon,
PA (US); **Joseph Miceli**, Pittsburgh, PA
(US)

(73) Assignee: **Koninklijke Philips N.V.**, Eindhoven
(NL)

(**) Term: **14 Years**

(21) Appl. No.: **29/406,720**

(22) Filed: **Nov. 18, 2011**

(30) **Foreign Application Priority Data**

May 26, 2011 (EM) 001869173-0001

(51) **LOC (10) Cl.** **29-02**

(52) **U.S. Cl.**
USPC **D24/110.4**

(58) **Field of Classification Search**
USPC D24/110, 110.1, 110.4; 128/206.21,
128/206.28, 207.11, 207.13, 207.17

See application file for complete search history.

(56) **References Cited**

U.S. PATENT DOCUMENTS

D476,732	S	*	7/2003	Smart	D24/110.4
D486,226	S	*	2/2004	Guney et al.	D24/110.1
D493,885	S	*	8/2004	Raje et al.	D24/110.1
D539,901	S	*	4/2007	McAuliffe et al.	D24/110.1
D582,546	S	*	12/2008	Fujiura et al.	D24/110.1
7,610,916	B2	*	11/2009	Kwok et al.	128/207.11
D624,642	S	*	9/2010	Collazo et al.	D24/110.1
2010/0236559	A1	*	9/2010	Lithgow et al.	128/207.11

* cited by examiner

Primary Examiner — Ian Simmons

Assistant Examiner — Richelle G Shelton

(74) *Attorney, Agent, or Firm* — Michael W. Haas

(57) **CLAIM**

The ornamental design for a nasal mask assembly, as shown and described.

DESCRIPTION

FIG. 1 is a perspective view of a nasal mask assembly showing our design;

FIG. 2 is a front elevational view thereof;

FIG. 3 is a rear elevational view thereof;

FIG. 4 is a left side elevational view thereof;

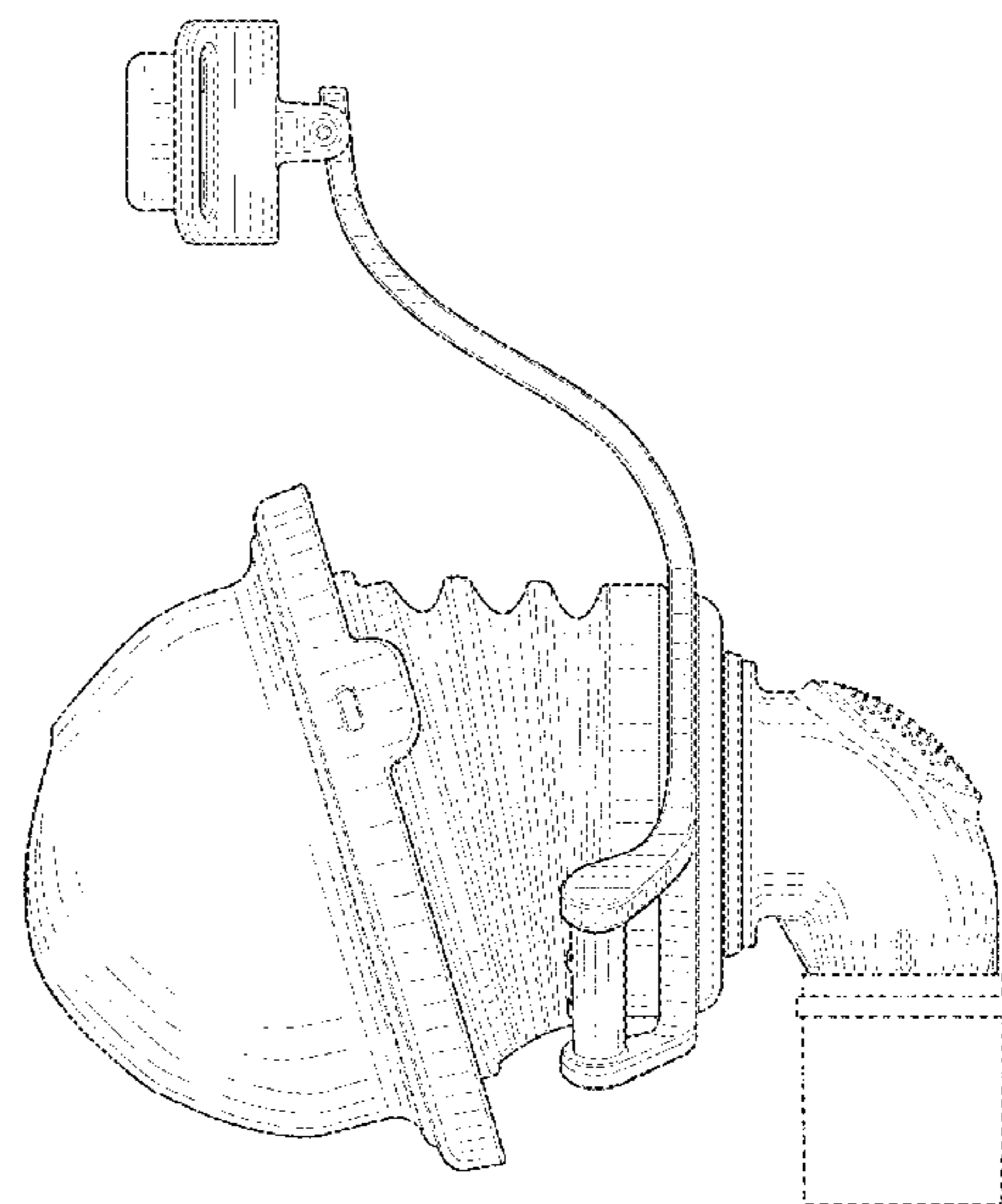
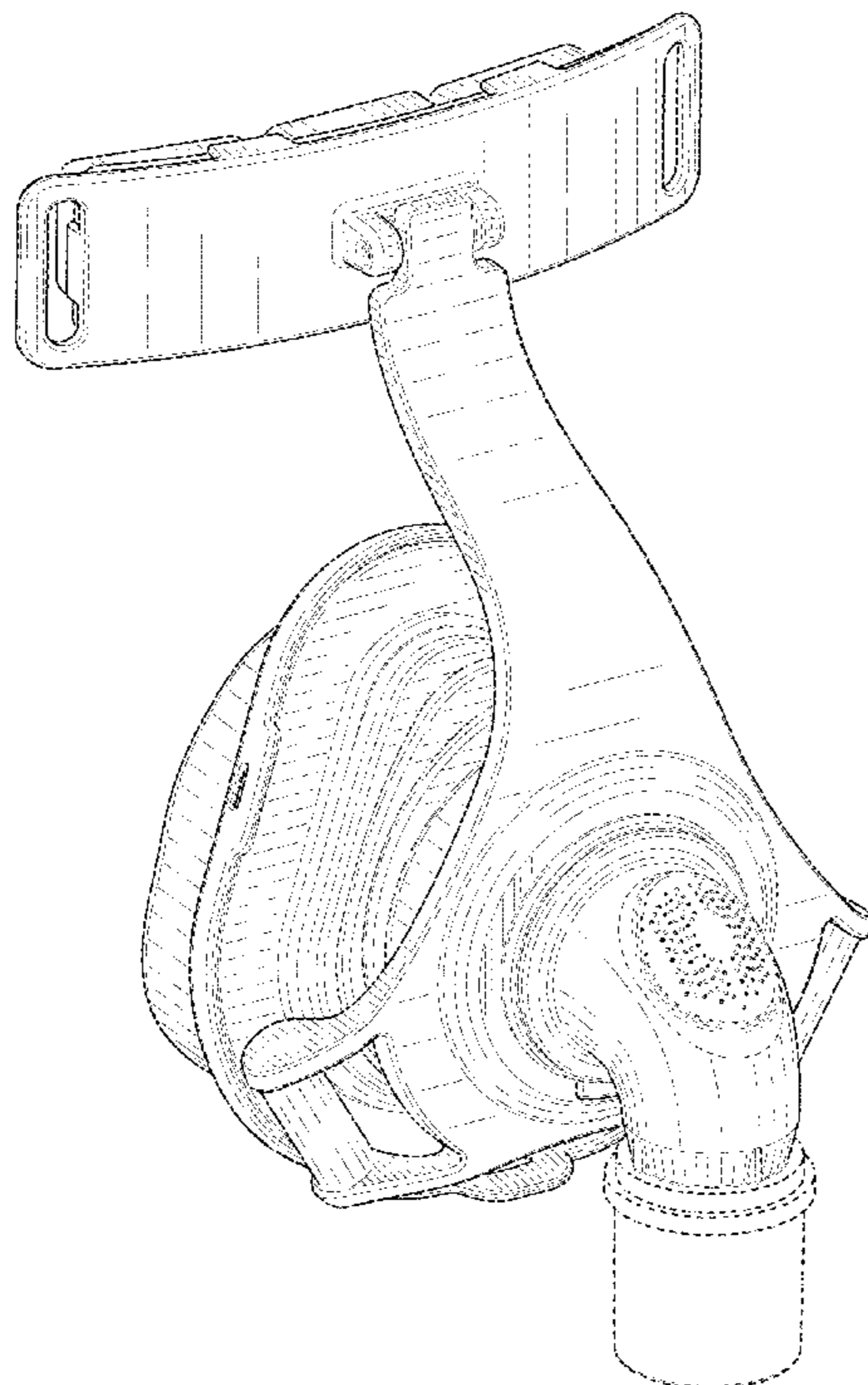
FIG. 5 is a right side elevational view thereof;

FIG. 6 is a top plan view thereof; and,

FIG. 7 is a bottom plan view thereof.

The broken line showing of portions of the nasal mask assembly is included for the purpose of illustrating an internal boundary of the design, with lines themselves and the area within, forming no part of the claimed design.

1 Claim, 7 Drawing Sheets



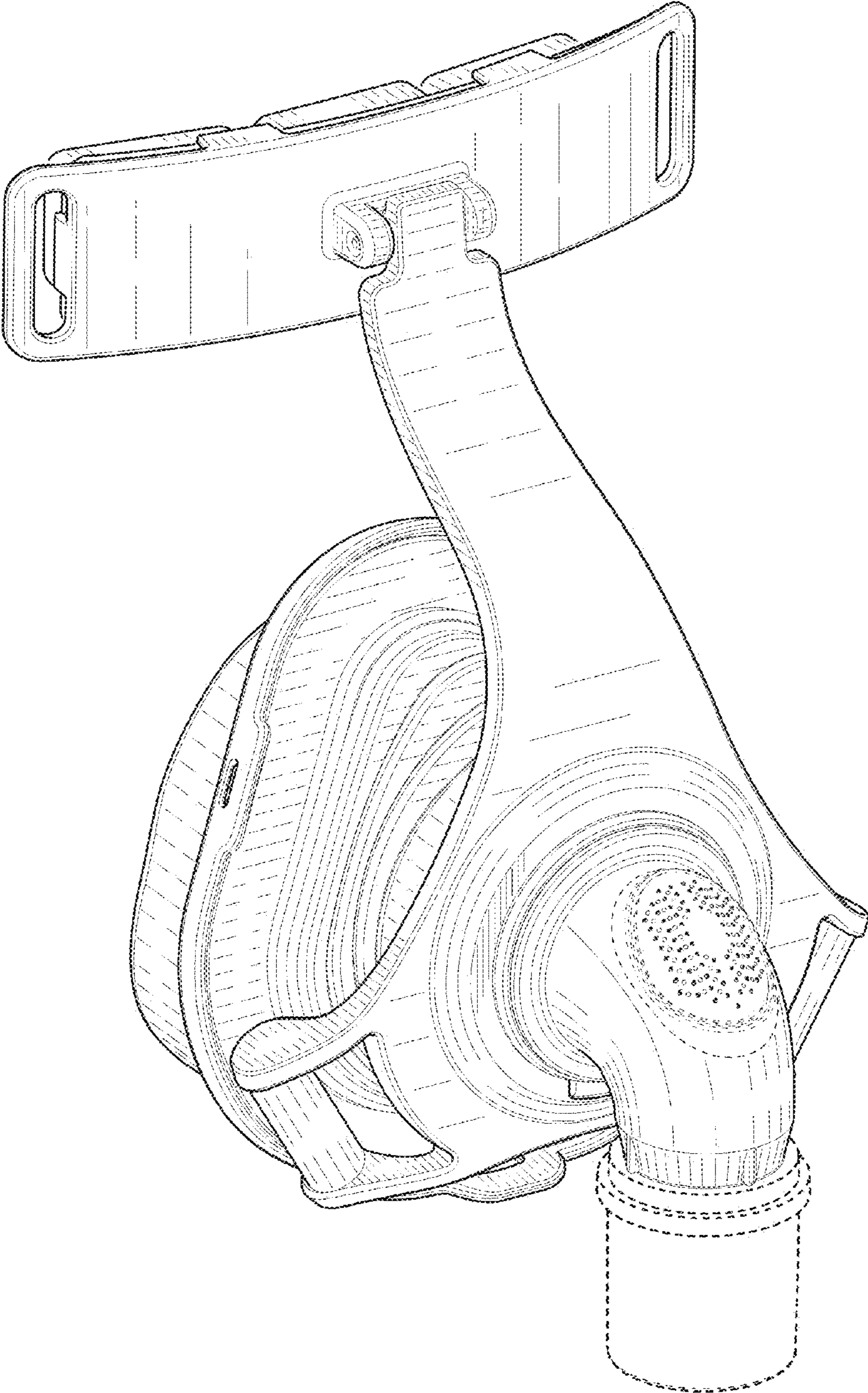


FIG. 1

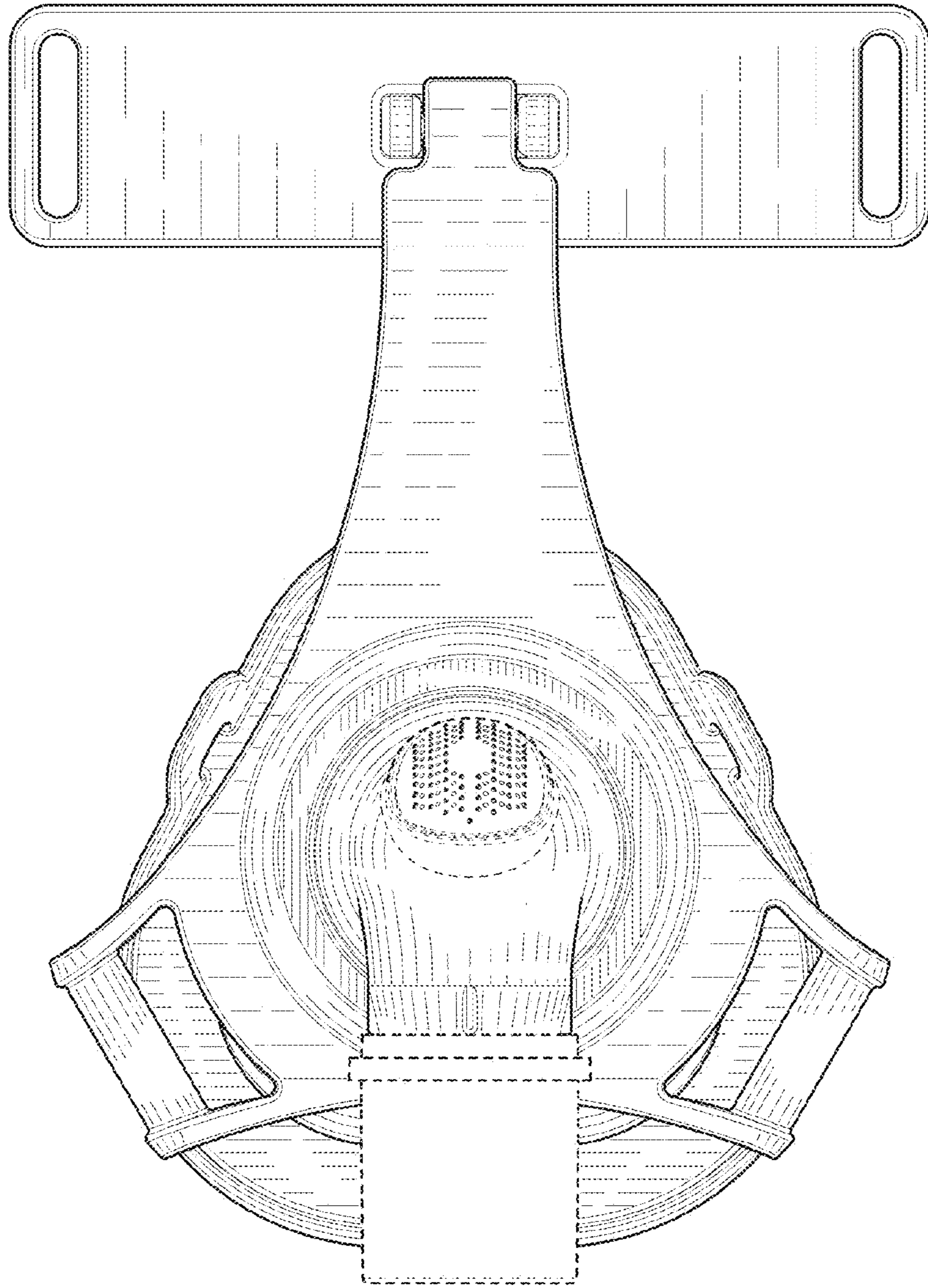


FIG. 2

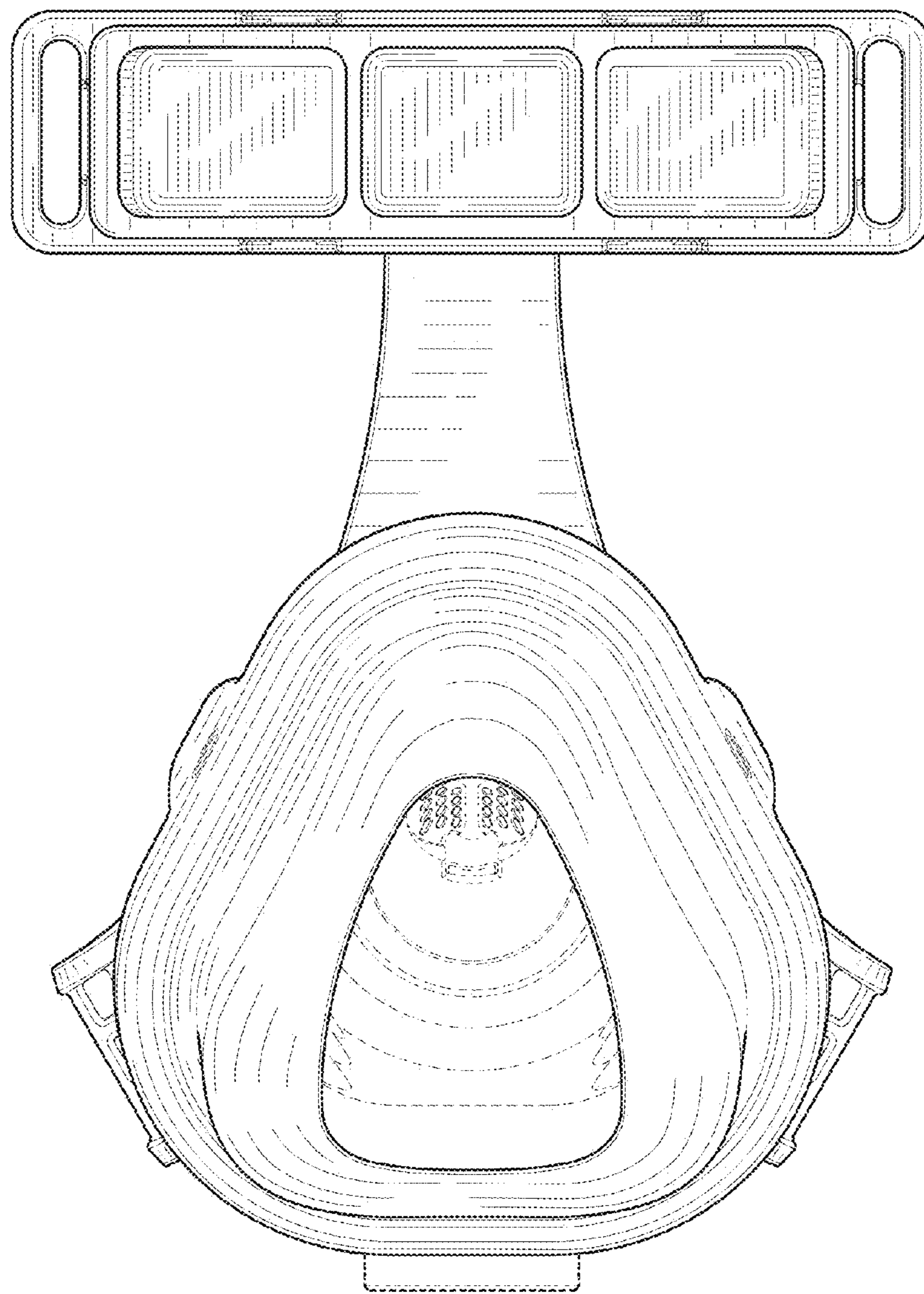


FIG. 3

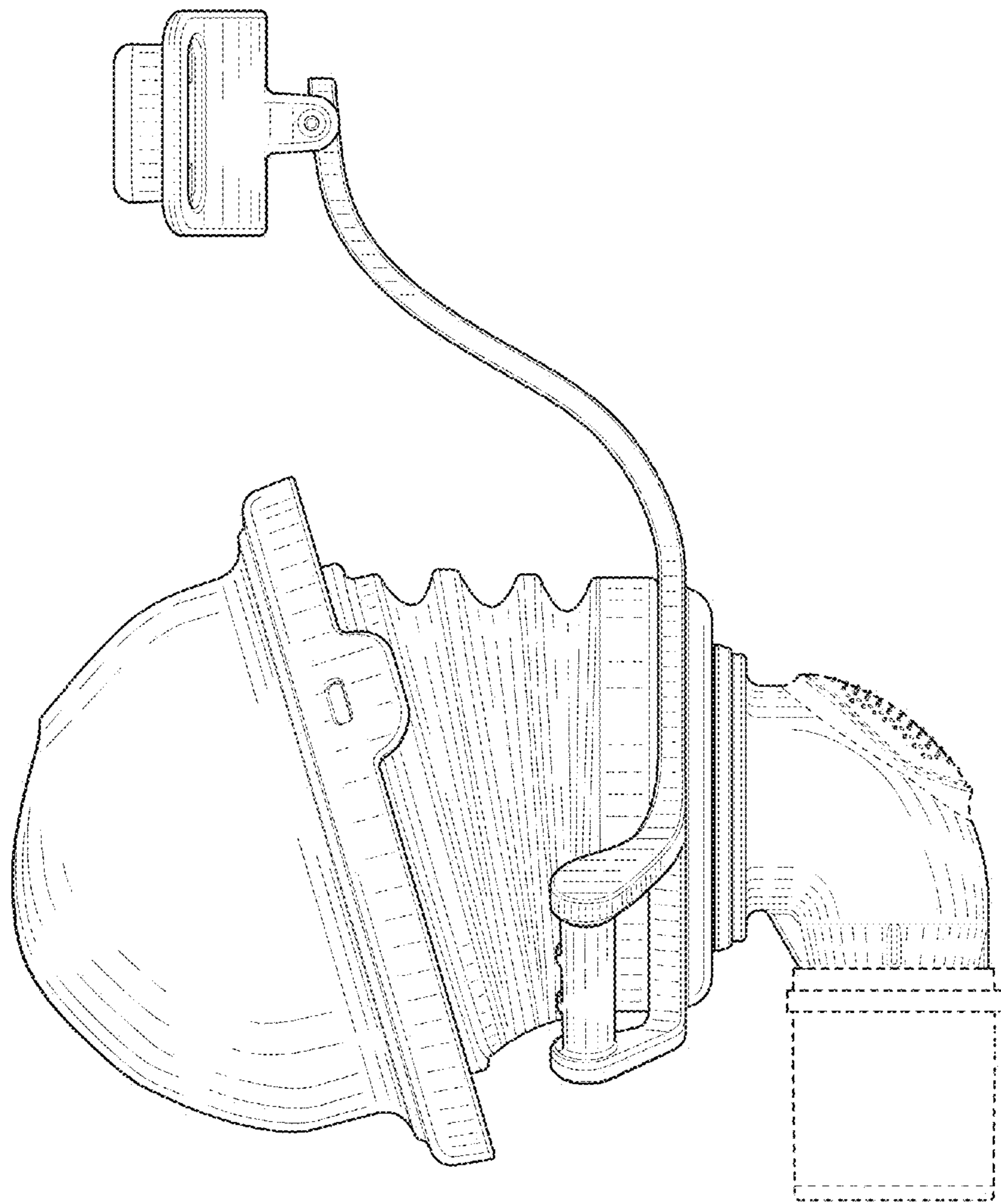


FIG. 4

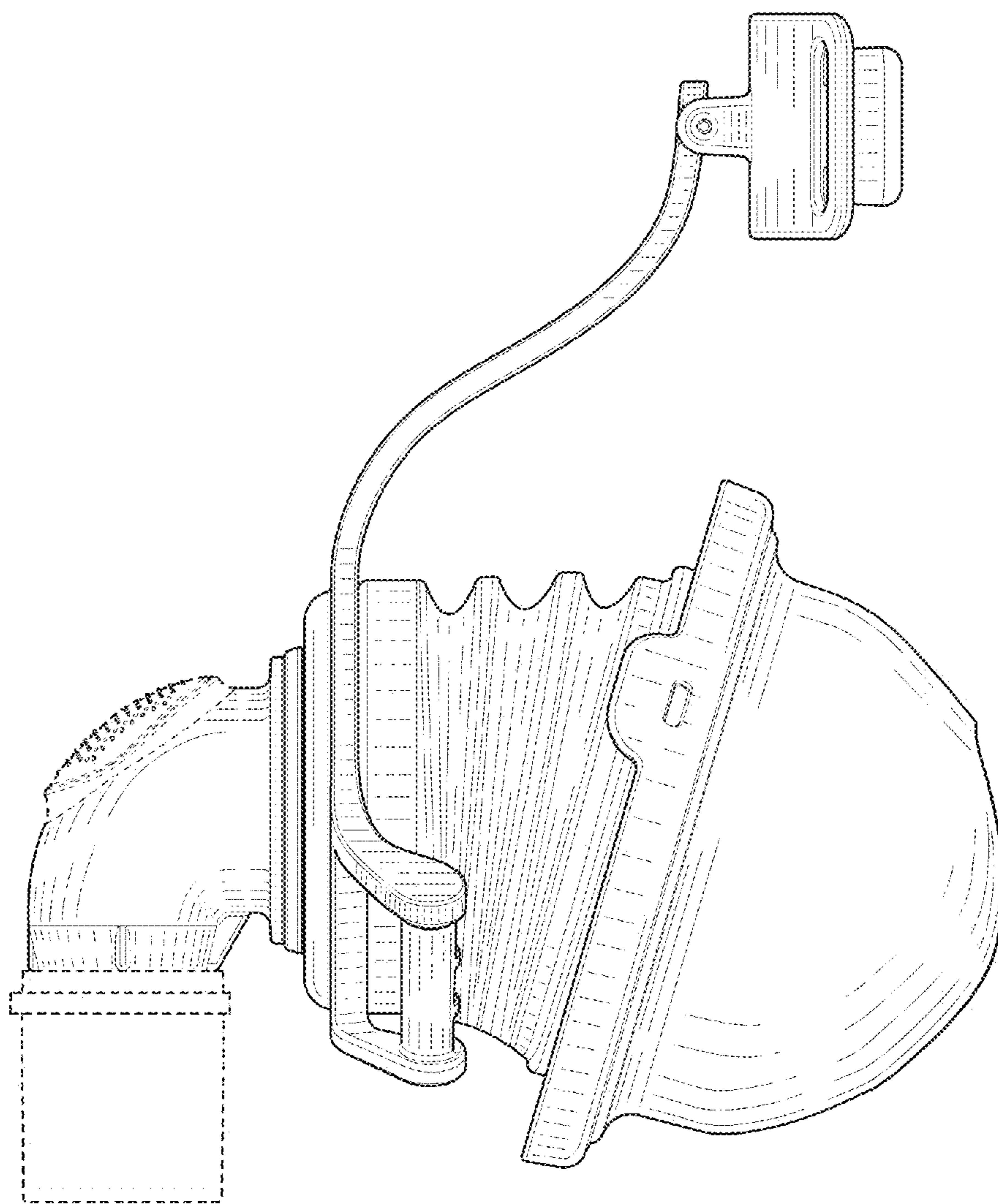


FIG. 5

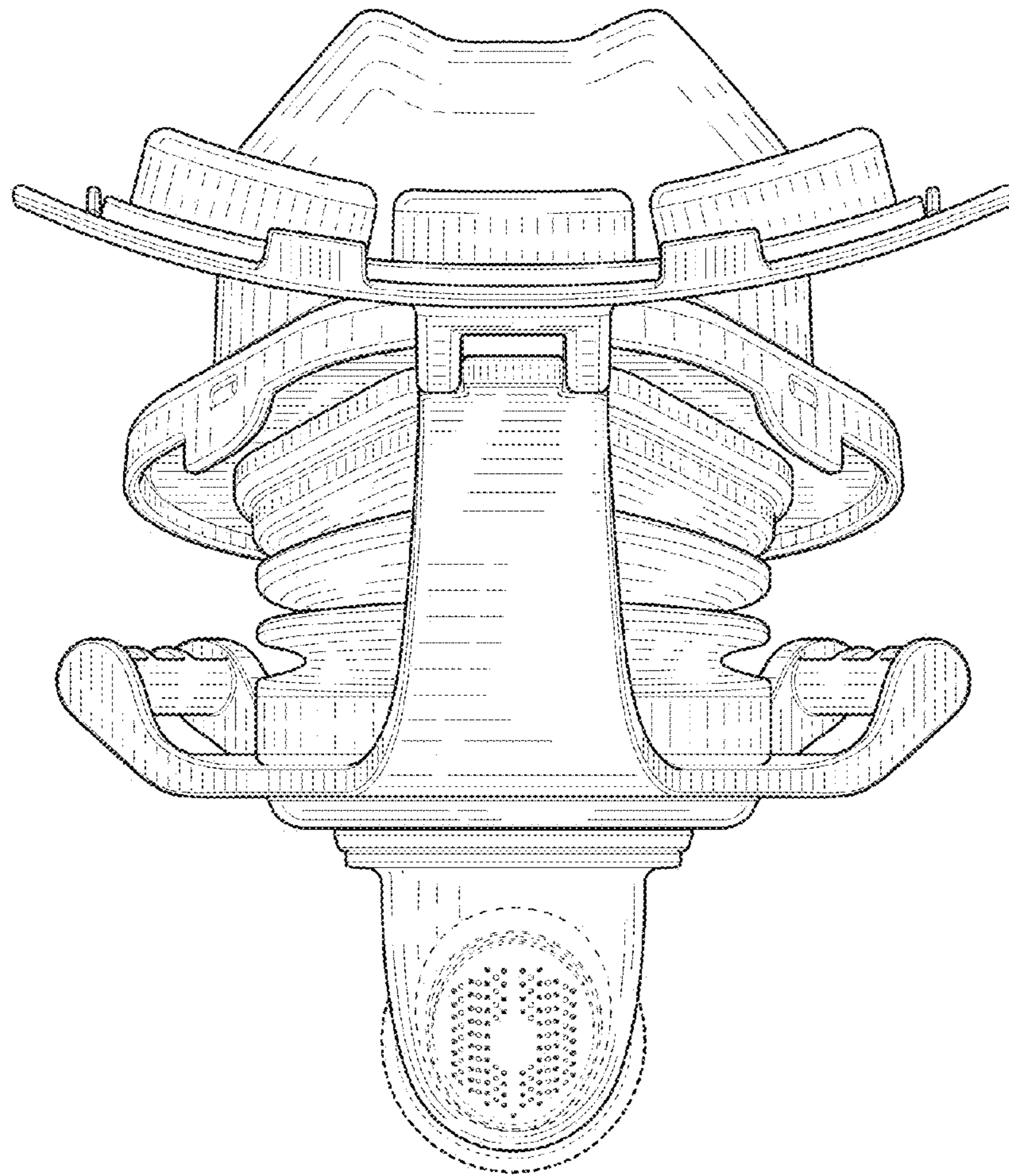


FIG. 6

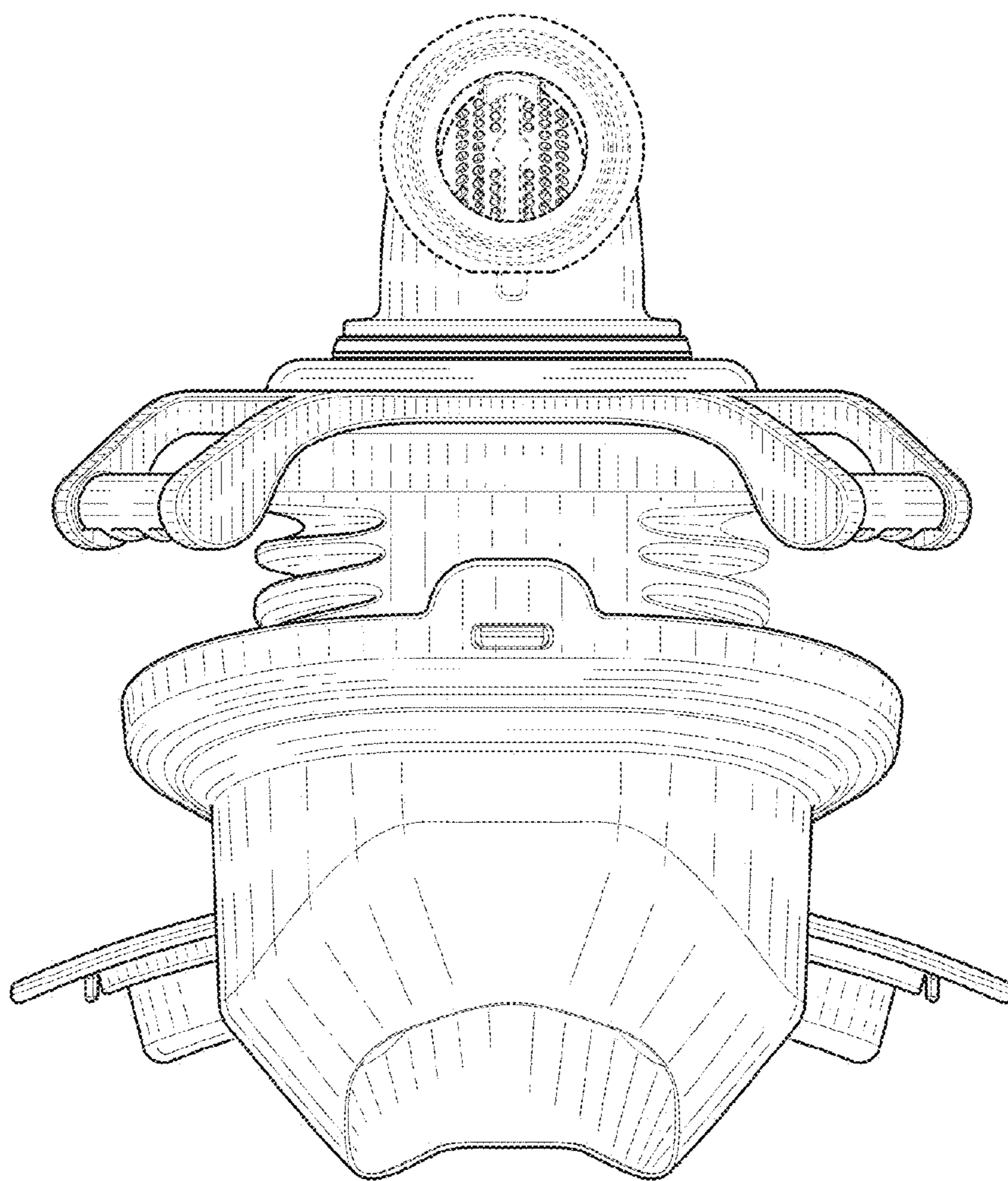


FIG. 7