

US00D697201S

(12) **United States Design Patent**
Coghill et al.

(10) **Patent No.:** **US D697,201 S**
(45) **Date of Patent:** **** Jan. 7, 2014**

(54) **BUCCAL DELIVERY DEVICE ADAPTOR**

(75) Inventors: **James Coghill**, Nottingham (GB);
Robert Armstrong, Nottingham (GB)

(73) Assignee: **R5 Pharmaceuticals Limited**,
Nottinghamshire (GB)

(**) Term: **14 Years**

(21) Appl. No.: **29/409,733**

(22) Filed: **Dec. 28, 2011**

(30) **Foreign Application Priority Data**

Jul. 1, 2011 (EM) 001885922-0001

(51) **LOC (10) Cl.** **29-02**

(52) **U.S. Cl.**
USPC **D24/110**

(58) **Field of Classification Search**
USPC D24/110, 108, 129, 180; 433/81, 87,
433/89, 90; 604/77, 514
See application file for complete search history.

(56) **References Cited**

U.S. PATENT DOCUMENTS

1,657,148 A * 1/1928 De Forest 600/237
D270,568 S * 9/1983 Armstrong D24/129

D328,244 S * 7/1992 Hamilton et al. D9/724
D401,323 S * 11/1998 Ritsche D24/110
D433,123 S * 10/2000 Sheppard et al. D24/110
D448,474 S * 9/2001 Jansen et al. D24/114
6,378,522 B1 * 4/2002 Pagan 128/207.14
D529,603 S * 10/2006 Knickerbocker et al. D24/110

* cited by examiner

Primary Examiner — Ian Simmons

Assistant Examiner — Richelle Shelton

(74) *Attorney, Agent, or Firm* — Choate, Hall & Stewart
LLP; Fangli Chen; Daniel S. Matthews

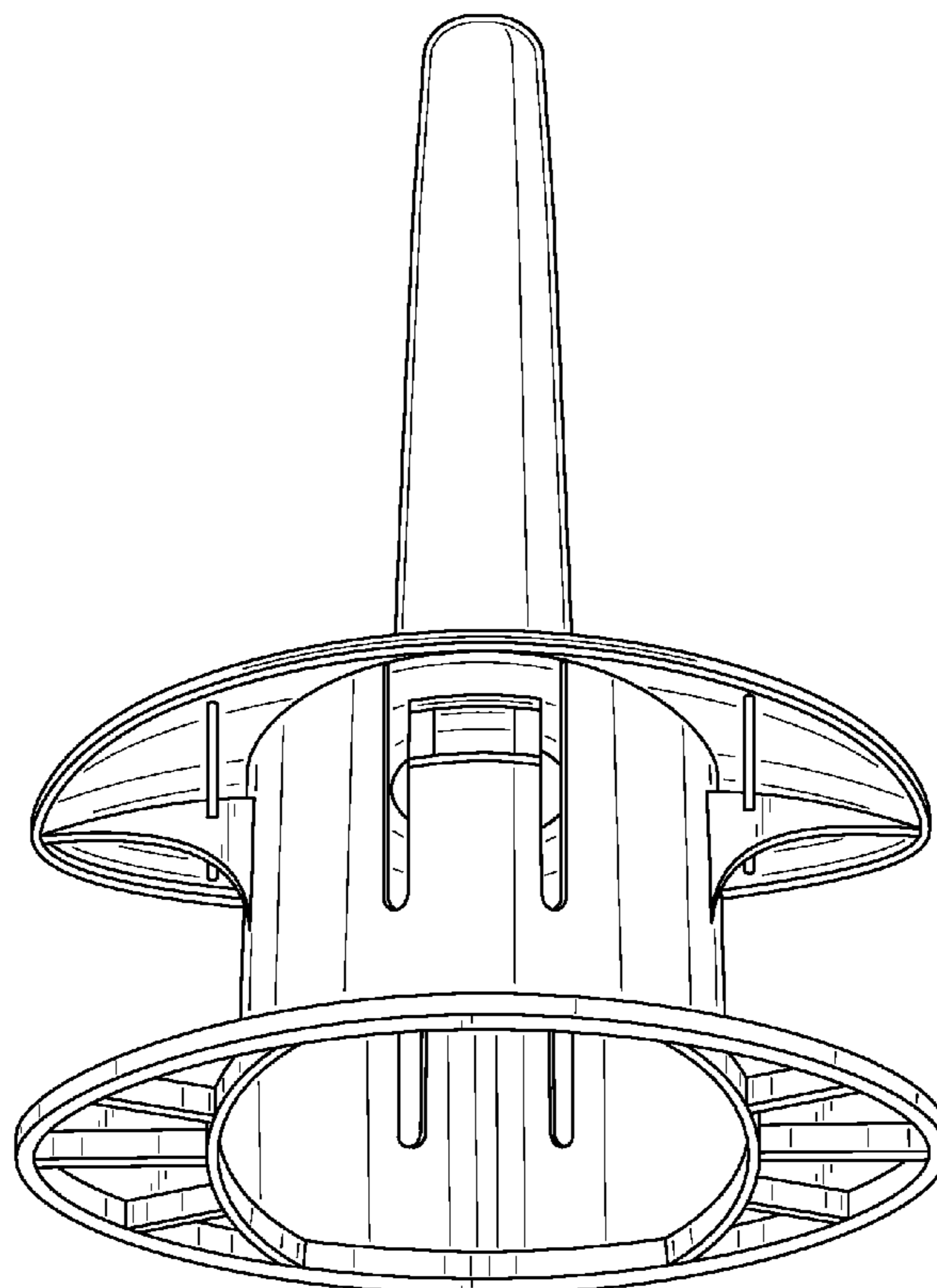
(57) **CLAIM**

The ornamental design for a buccal delivery device adaptor,
as shown and described.

DESCRIPTION

FIG. 1 is a perspective view of an embodiment of a buccal
delivery device adaptor showing our new design;
FIG. 2 is a front view thereof, the rear being a mirror image;
FIG. 3 is a right side view thereof, the left side being a mirror
image;
FIG. 4 is a top view thereof; and,
FIG. 5 is a bottom view thereof.

1 Claim, 4 Drawing Sheets



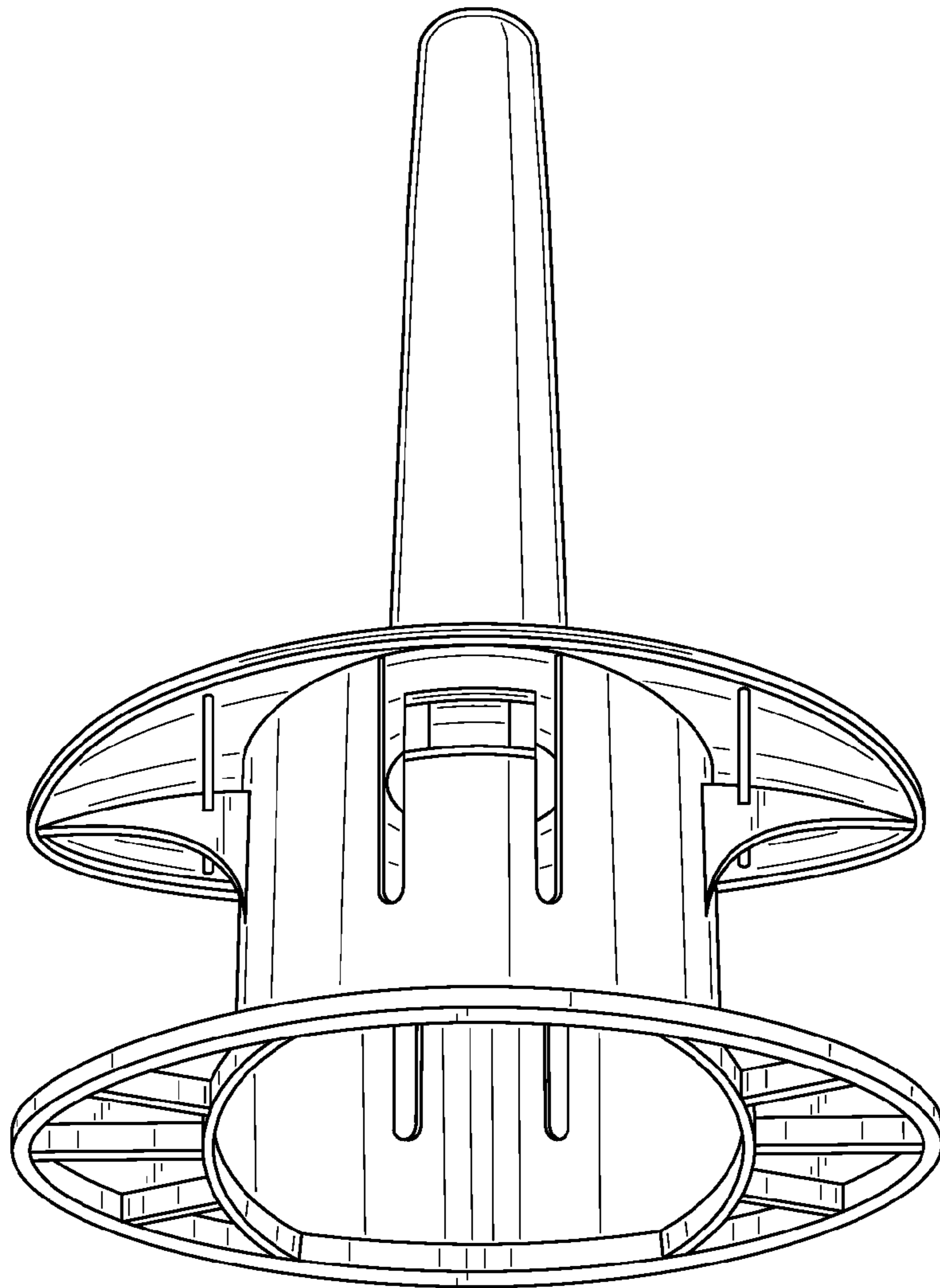


FIG. 1

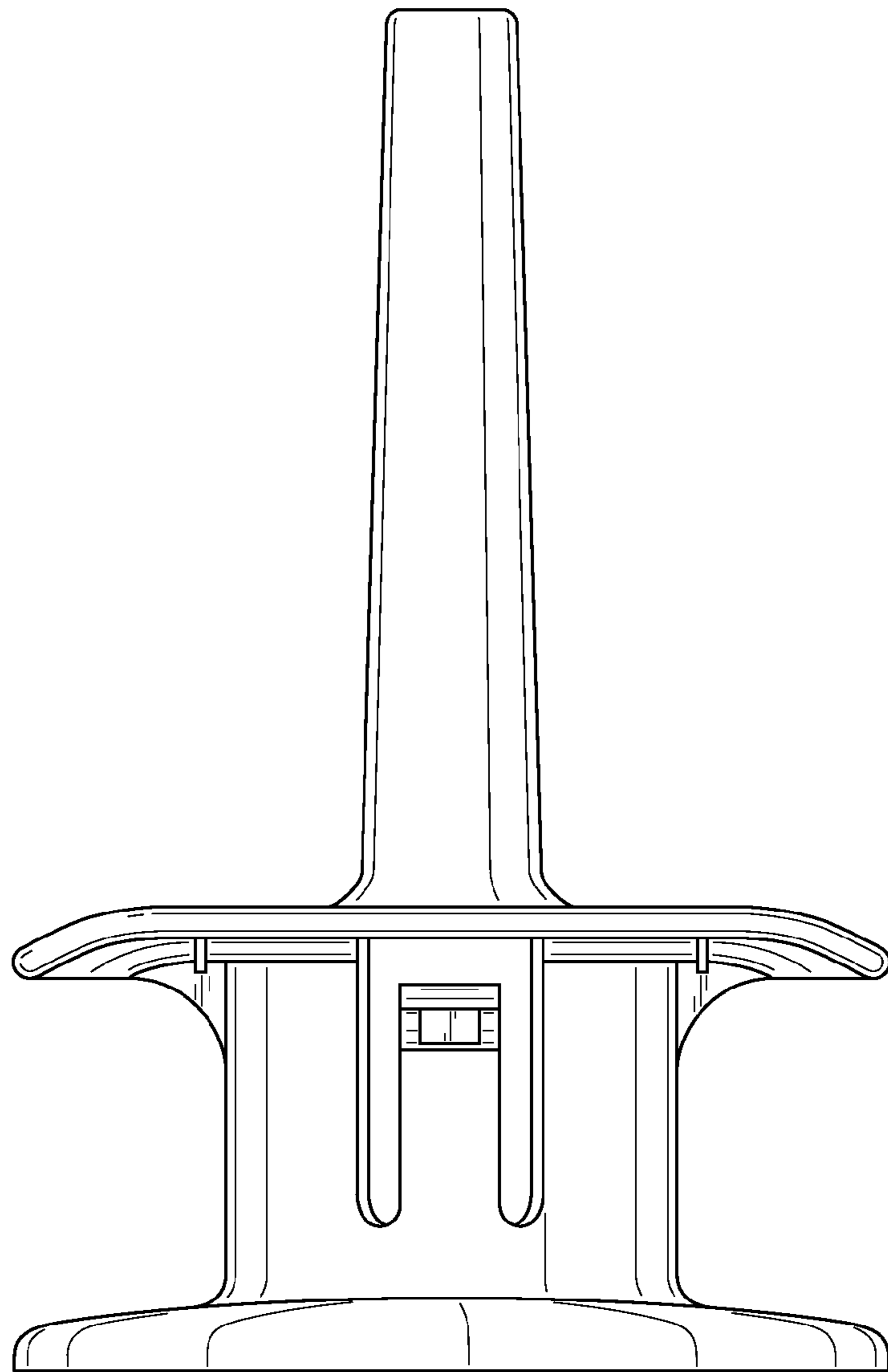


FIG. 2

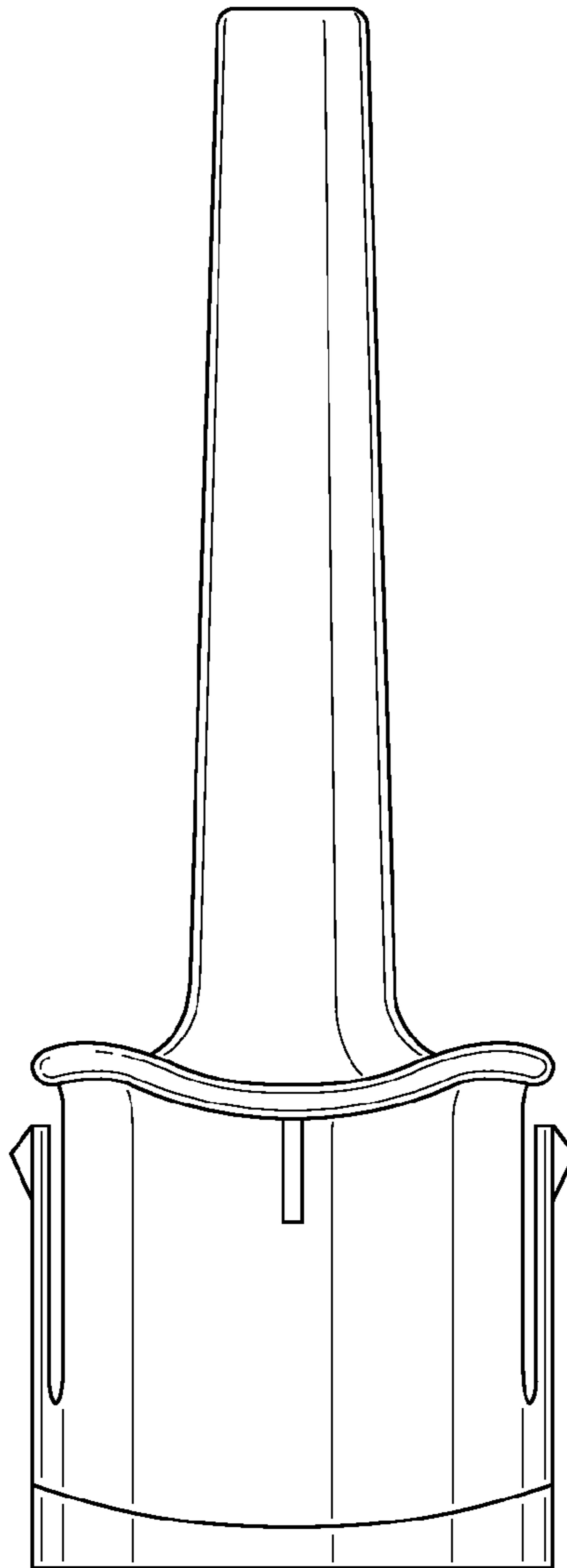


FIG. 3

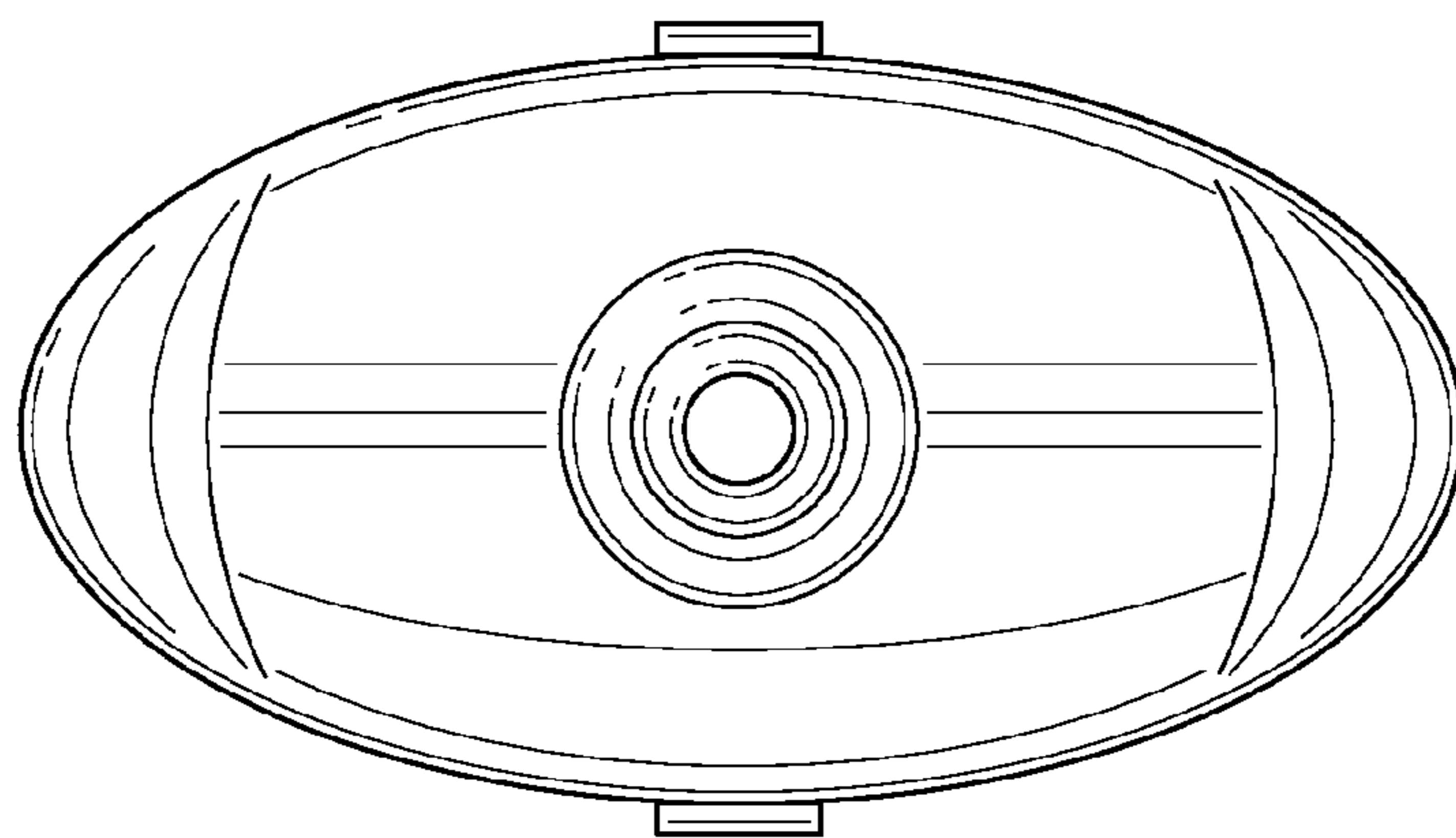


FIG. 4

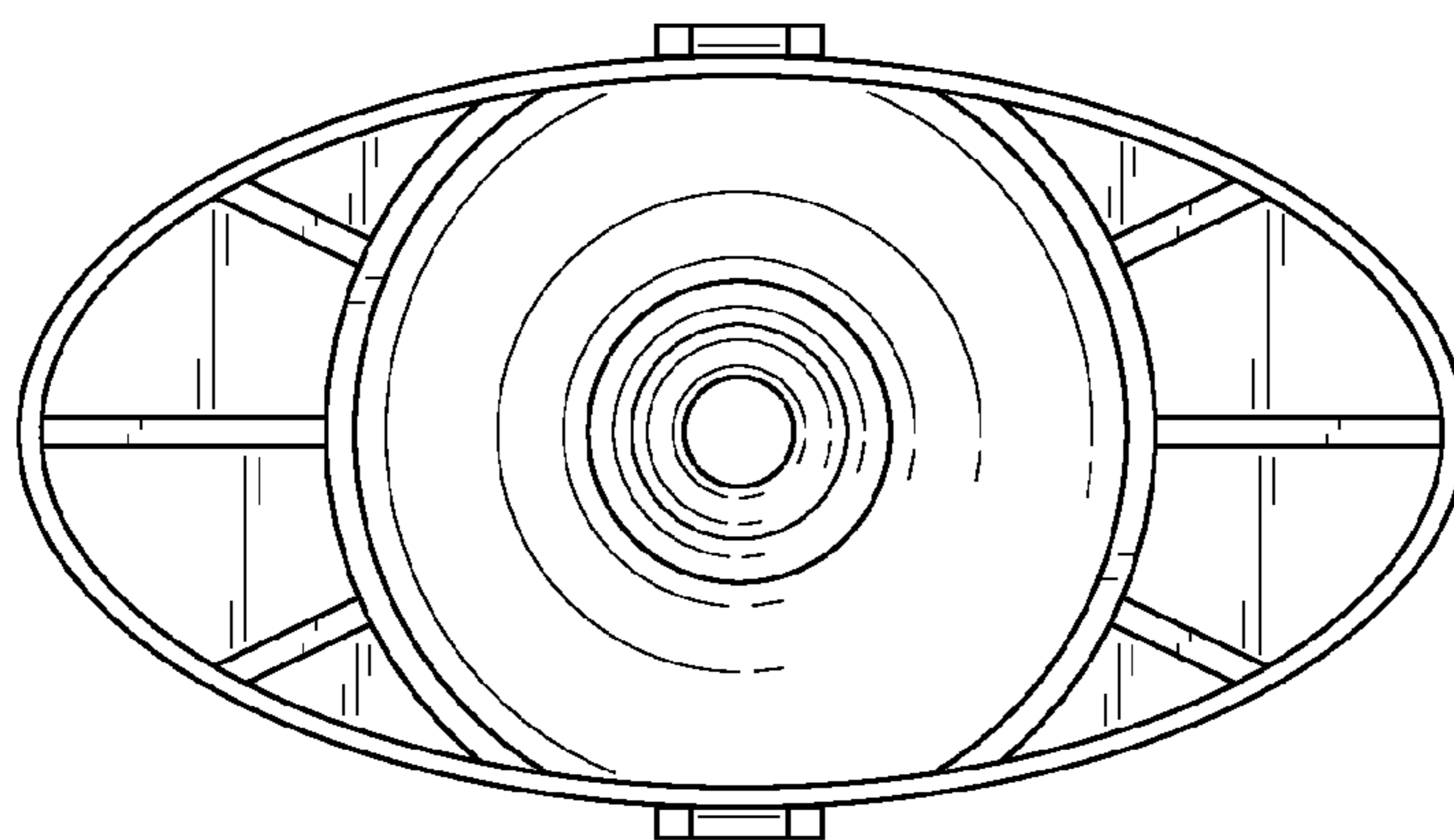


FIG. 5