



US00D697200S

(12) **United States Design Patent**
Mahaffy

(10) **Patent No.:** **US D697,200 S**
(45) **Date of Patent:** **** Jan. 7, 2014**

- (54) **MOBILE INHALER DEVICE**
- (75) Inventor: **Ian Mahaffy**, Frederiksberg C (DK)
- (73) Assignee: **Activaero GmbH**, Gauting (DE)
- (**) Term: **14 Years**
- (21) Appl. No.: **29/396,867**
- (22) Filed: **Jul. 8, 2011**
- (30) **Foreign Application Priority Data**
Jan. 12, 2011 (EM) 1 804 196-0002
- (51) **LOC (10) Cl.** **29-02**
- (52) **U.S. Cl.**
USPC **D24/110**
- (58) **Field of Classification Search**
USPC D24/110-110.5, 115, 124;
128/200.14-204.21
See application file for complete search history.

- (56) **References Cited**
U.S. PATENT DOCUMENTS
D148,573 S * 2/1948 Pitts D24/110
4,926,852 A * 5/1990 Zoltan et al. 128/200.23

- 5,040,527 A * 8/1991 Larson et al. 128/200.23
- 5,042,467 A * 8/1991 Foley 128/200.23
- D331,281 S * 11/1992 Levine D24/110
- D340,975 S * 11/1993 Sladek D24/110
- D362,500 S * 9/1995 Cook et al. D24/110
- D441,070 S * 4/2001 Niles et al. D24/110
- D483,860 S * 12/2003 Knoch D24/110
- D583,928 S * 12/2008 Knoch D24/110

* cited by examiner

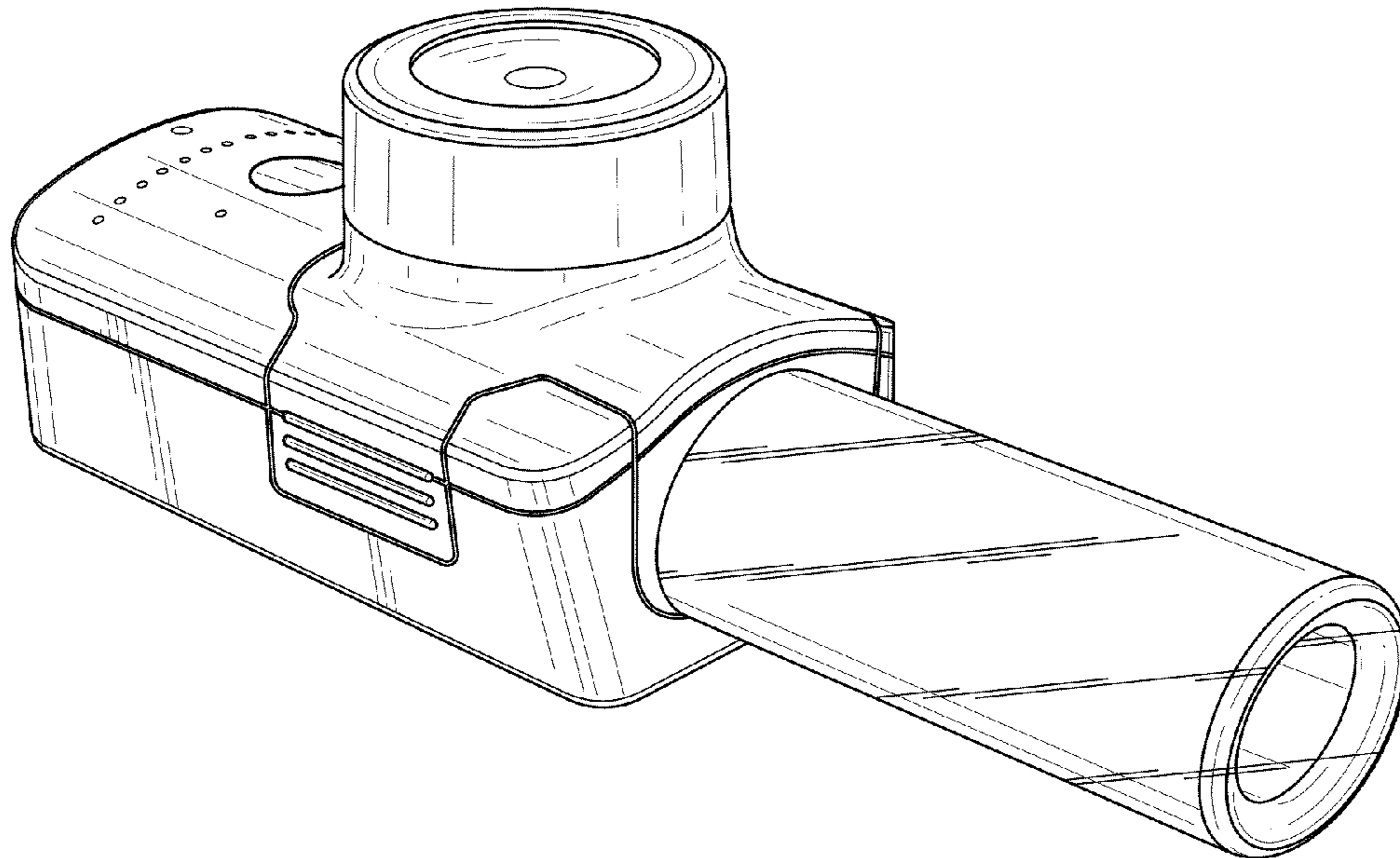
Primary Examiner — Richard E Chilcot
(74) *Attorney, Agent, or Firm* — Nixon & Vanderhye, PC

(57) **CLAIM**
A mobile inhaler device, as shown and described.

DESCRIPTION

FIG. 1 is a perspective view of a mobile inhaler device according to my new ornamental design;
FIG. 2 is a left side view thereof, with the right side view thereof being a mirror image thereof;
FIG. 3 is a top view thereof; and,
FIG. 4 is a front view thereof.
The bottom and rear views of the mobile inhaler device are not shown, and form no part of the claimed design.
The broken lines of the mobile inhaler device indicate environment or structure and form no part of the claimed design.

1 Claim, 2 Drawing Sheets



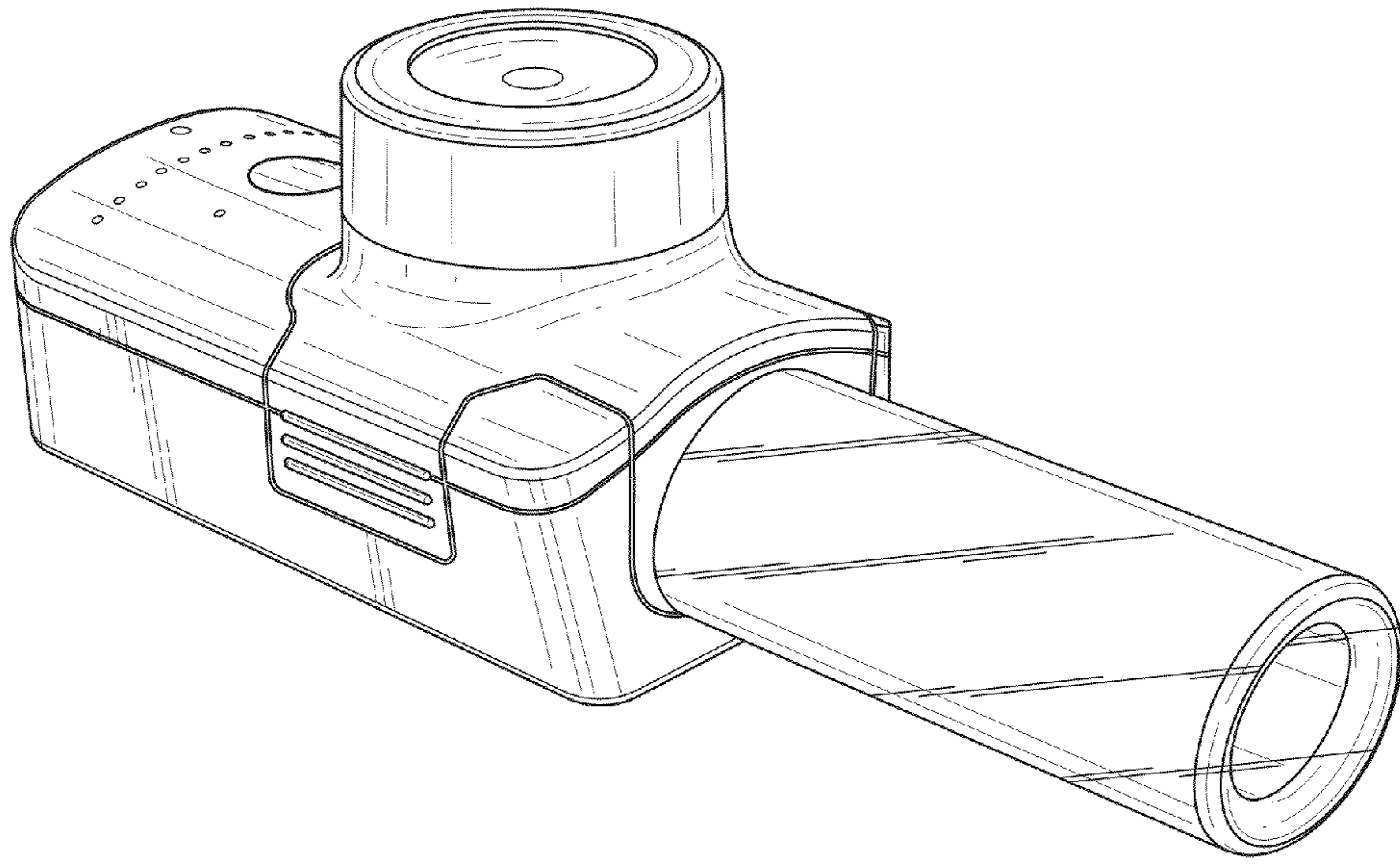


FIG. 1

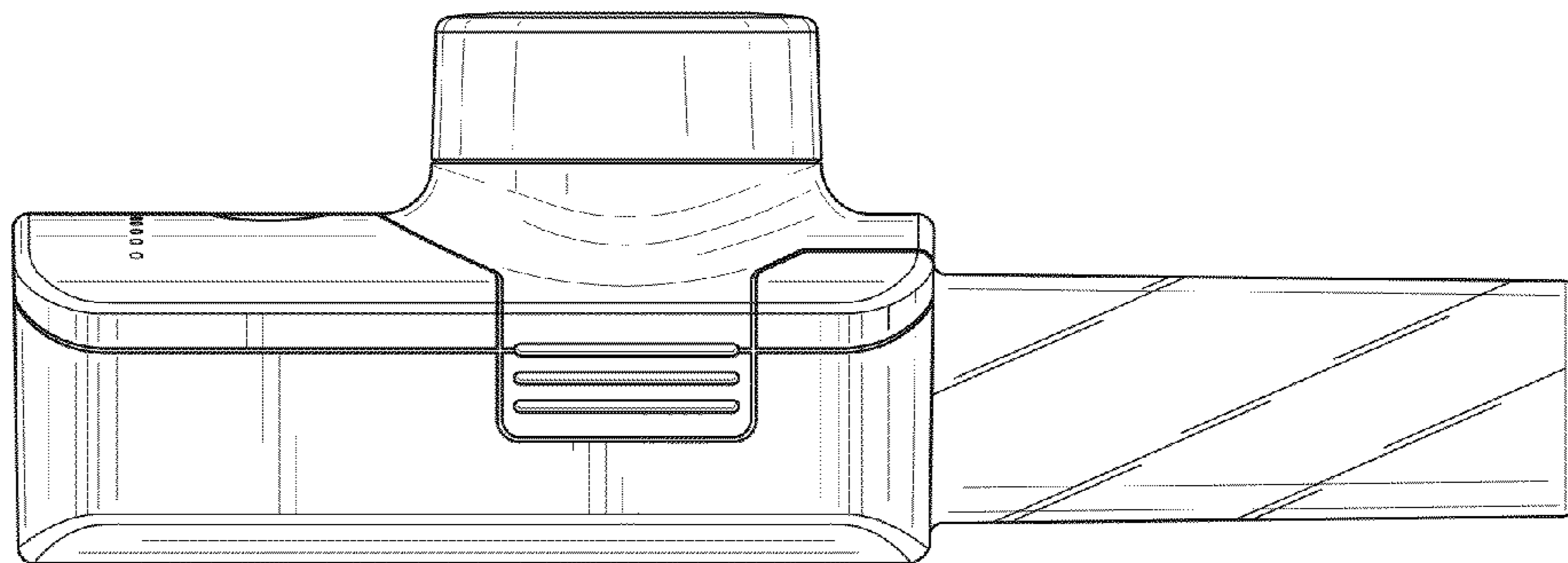


FIG. 2

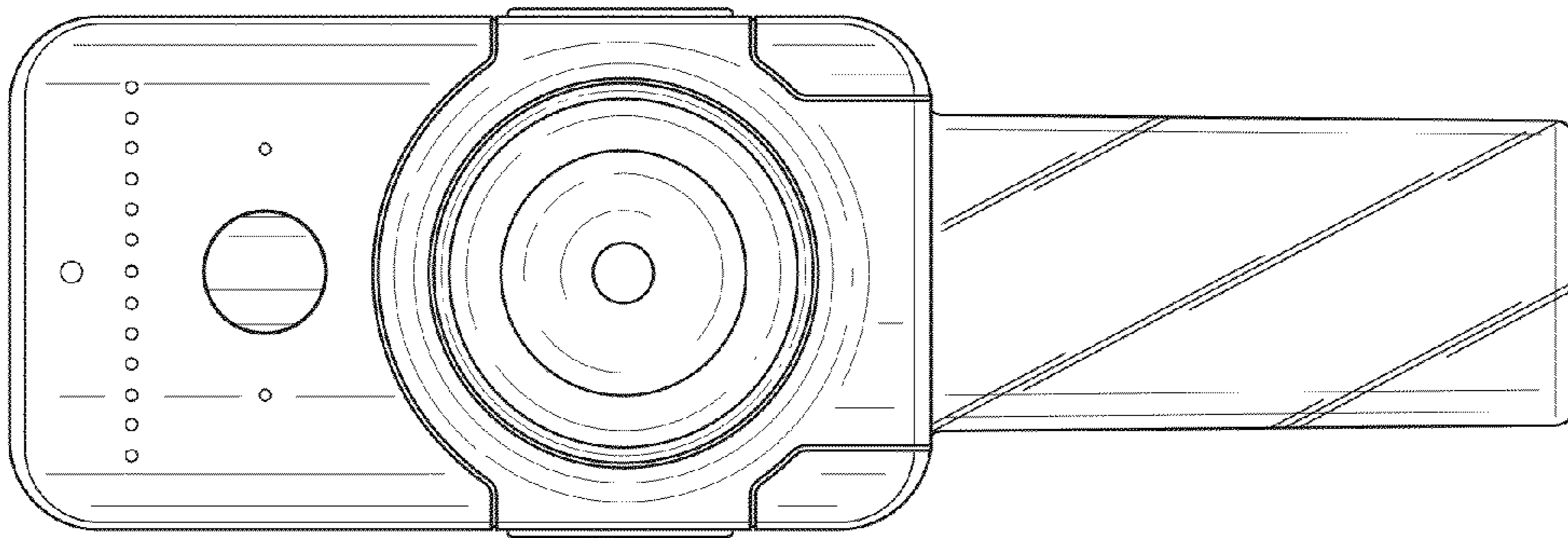


FIG. 3

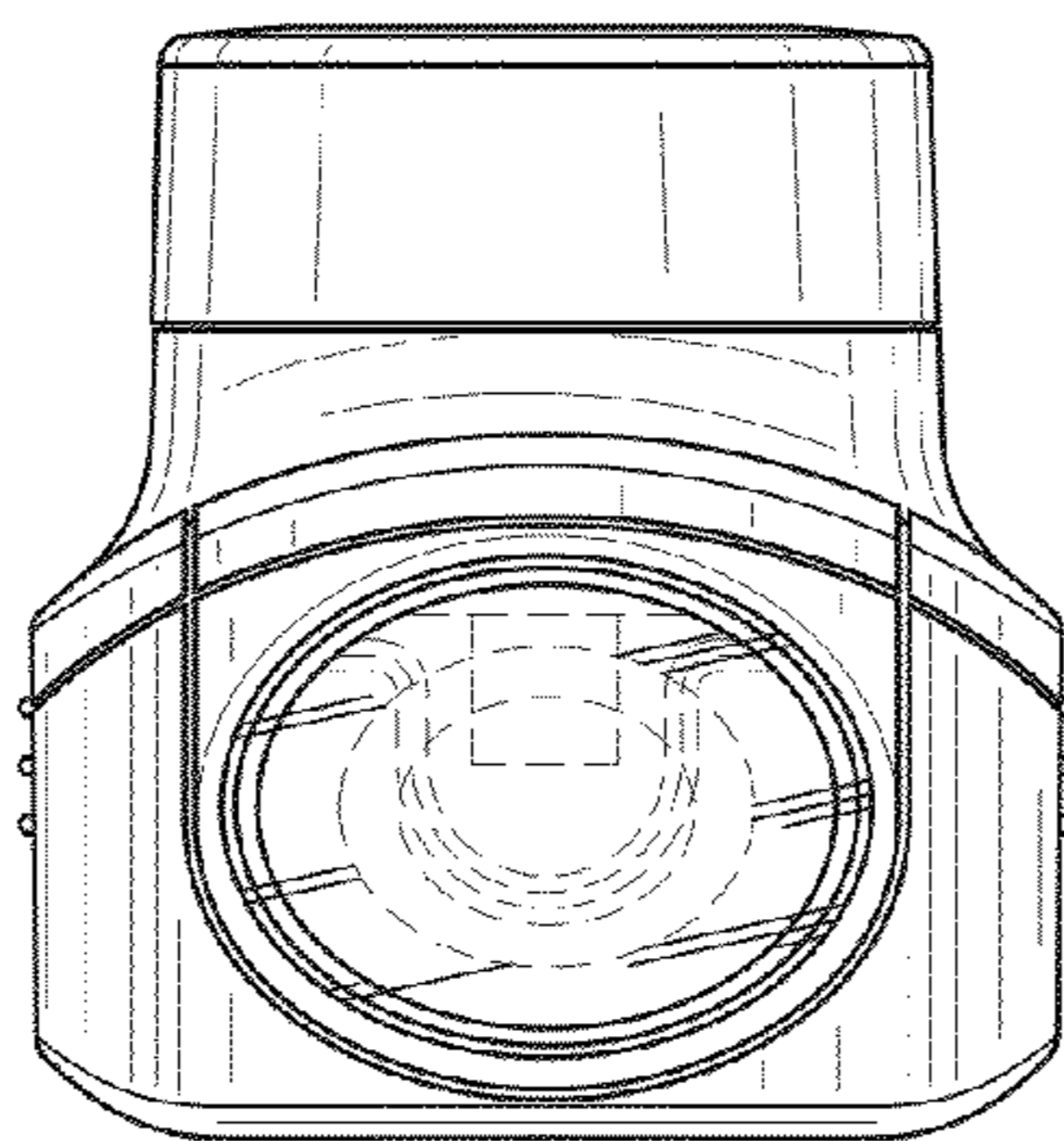


FIG. 4