



US00D697197S

(12) **United States Design Patent**
Hansen et al.

(10) **Patent No.:** **US D697,197 S**
(45) **Date of Patent:** **** Jan. 7, 2014**

(54) **DISPLACER**

D563,435 S * 3/2008 Charlet D15/7

(75) Inventors: **Craig N. Hansen**, Plymouth, MN (US);
Paul C. Cross, Shorewood, MN (US)

* cited by examiner

(73) Assignee: **Electromed, Inc.**, New Prague, MN
(US)

Primary Examiner — Ian Simmons

Assistant Examiner — Richelle G Shelton

(74) *Attorney, Agent, or Firm* — Richard John Bartz

(**) Term: **14 Years**

(57) **CLAIM**

(21) Appl. No.: **29/395,438**

The ornamental design for a displacer, as shown and described.

(22) Filed: **Jan. 23, 2012**

(51) **LOC (10) Cl.** **24-01**

(52) **U.S. Cl.**
USPC **D24/107**

(58) **Field of Classification Search**
USPC D24/107, 108, 110, 127; D15/7, 9;
128/200.24

See application file for complete search history.

DESCRIPTION

FIG. 1 is a perspective view of a displacer showing our design;

FIG. 2 is a top plan view thereof;

FIG. 3 is a bottom plan view thereof;

FIG. 4 is a front elevational view thereof;

FIG. 5 is a back elevational view thereof;

FIG. 6 is a side elevational view of the right side thereof; and,

FIG. 7 is a side elevational view of the left side thereof.

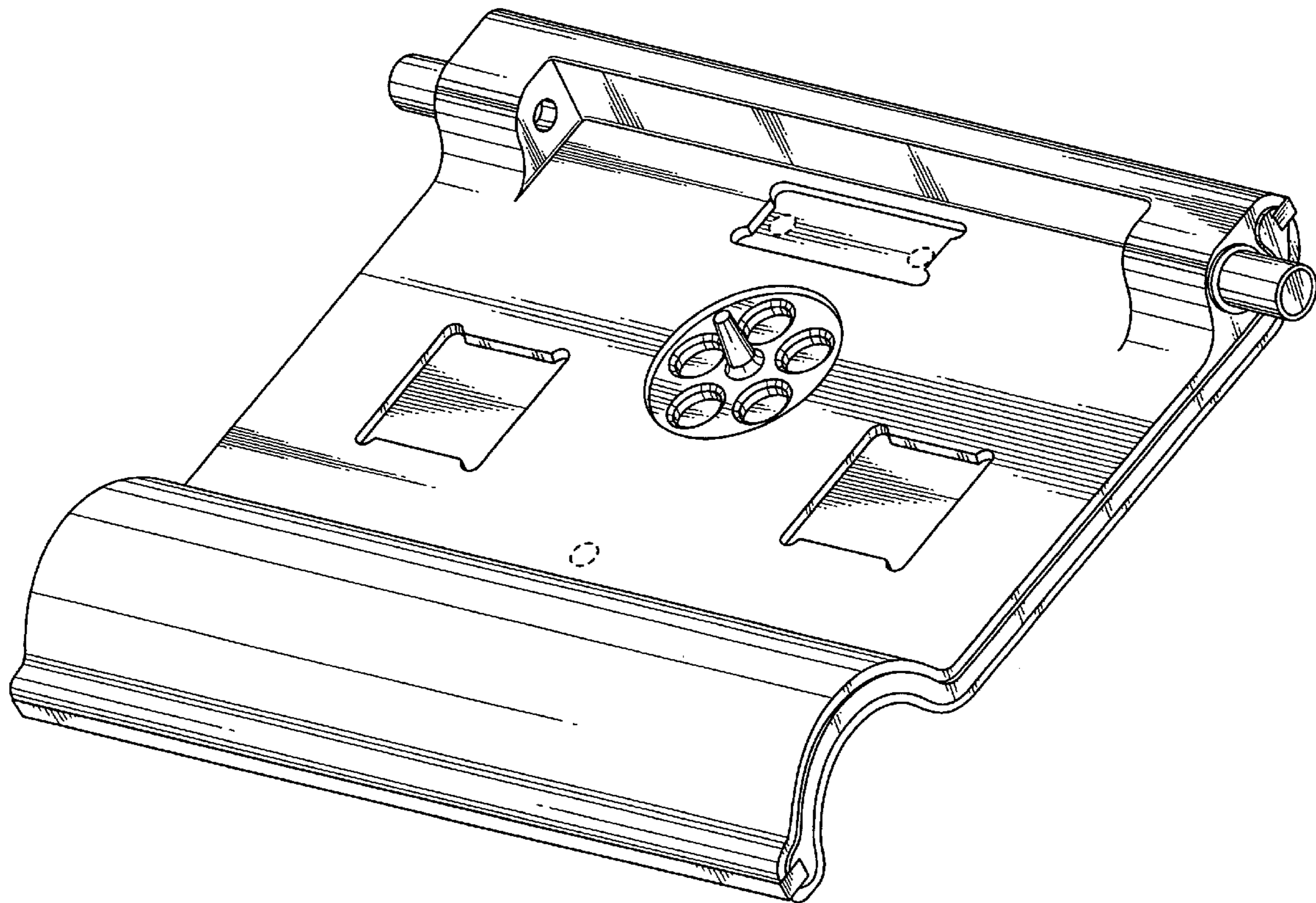
The portions of the design shown in broken lines in FIGS. 1, 2 and 3 are three openings that form no part of the claimed design.

(56) **References Cited**

U.S. PATENT DOCUMENTS

3,645,649 A * 2/1972 Beale 417/379
5,370,112 A * 12/1994 Perkins 128/204.21
6,099,279 A * 8/2000 Kohsokabe et al. 418/61.1

1 Claim, 5 Drawing Sheets



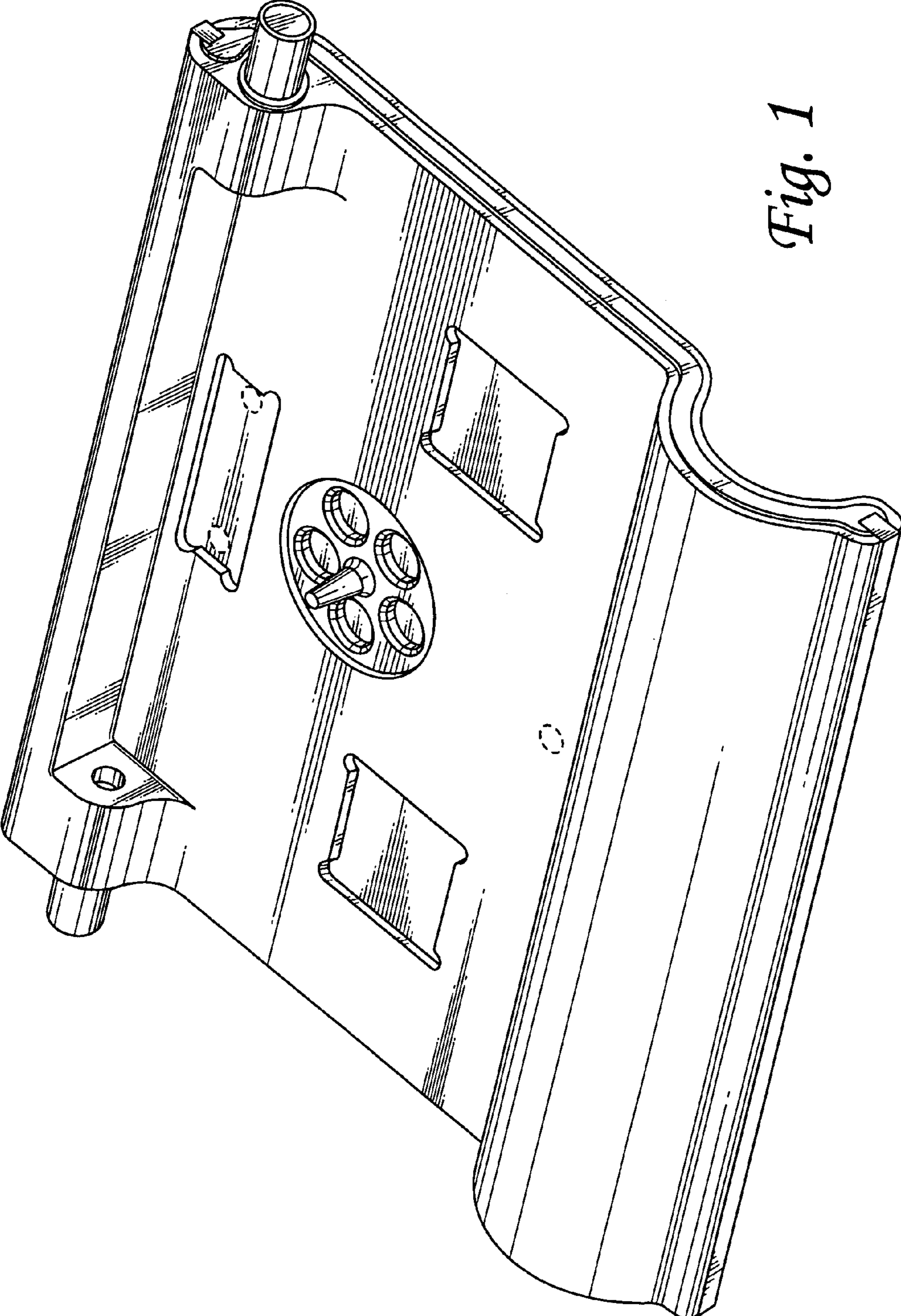


Fig. 1

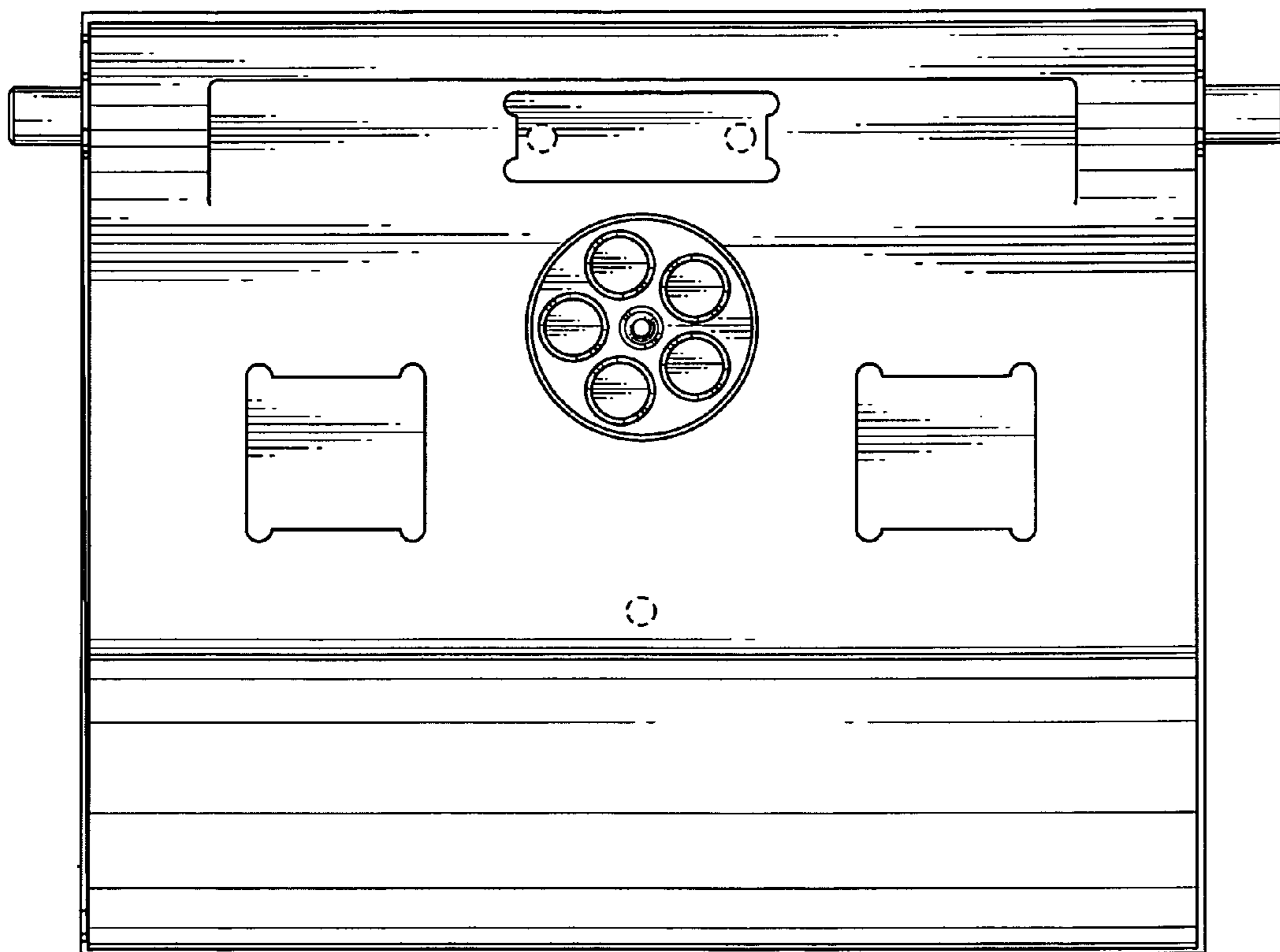


Fig. 2

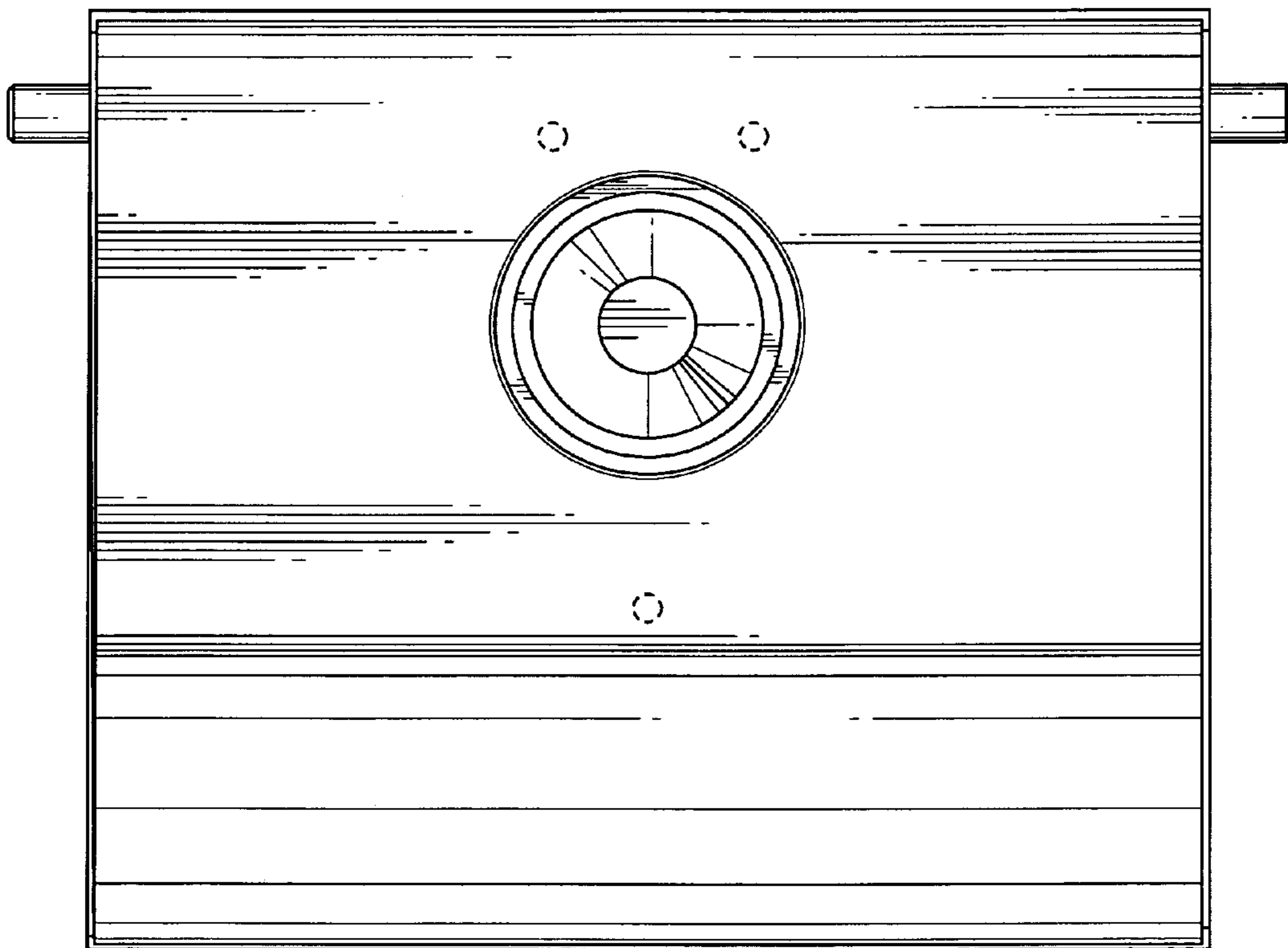


Fig. 3

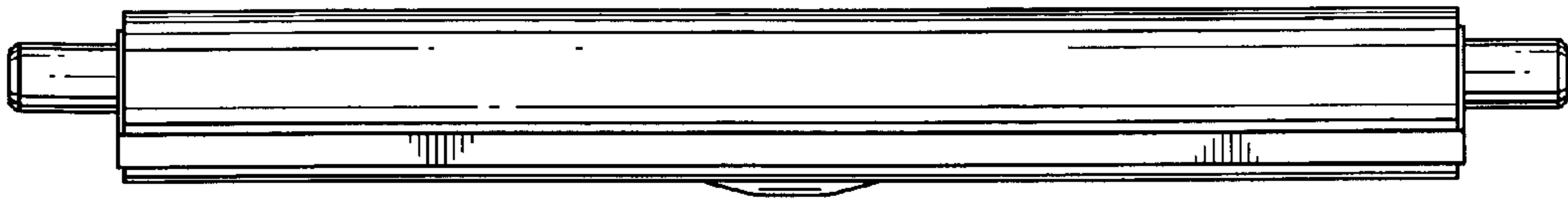


Fig. 4

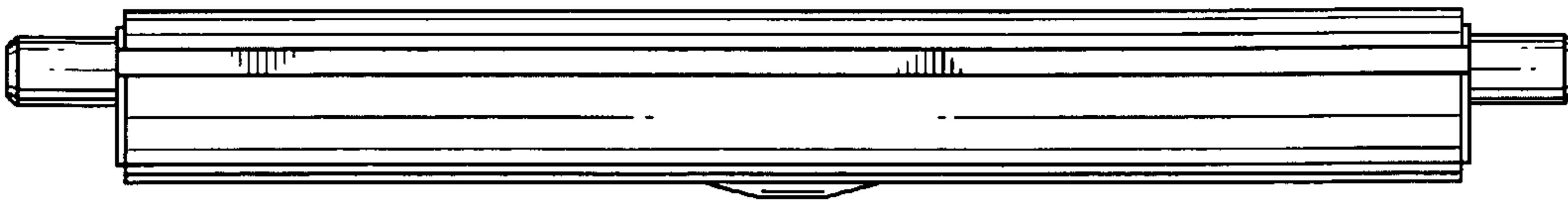


Fig. 5



Fig. 6

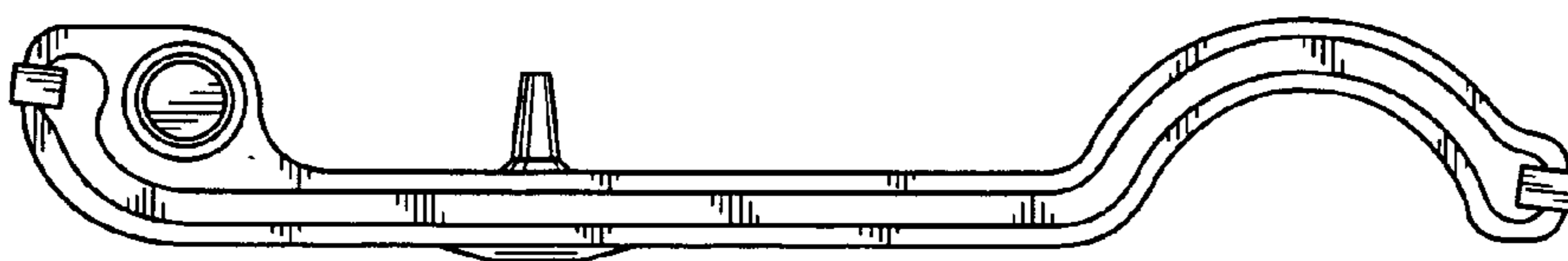


Fig. 7