



US00D697194S

(12) **United States Design Patent**
Hills

(10) **Patent No.:** **US D697,194 S**

(45) **Date of Patent:** **** Jan. 7, 2014**

(54) **SPIDER FIREPIT GRATE**

(71) Applicant: **Lee A. Hills**, Atlanta, GA (US)

(72) Inventor: **Lee A. Hills**, Atlanta, GA (US)

(**) Term: **14 Years**

(21) Appl. No.: **29/463,030**

(22) Filed: **Jul. 10, 2013**

(51) **LOC (10) Cl.** **23-03**

(52) **U.S. Cl.**
USPC **D23/403**

(58) **Field of Classification Search**
USPC D23/403-410, 415-422, 499, 345, 347,
D23/349; D7/332, 402, 407, 417; D15/144;
40/428, 798; 44/520, 530; 52/36.3;
126/201, 258, 500, 512, 540, 543, 544,
126/548, 555, 298; 160/DIG. 9; 219/549;
431/263, 273, 329

See application file for complete search history.

(56) **References Cited**

U.S. PATENT DOCUMENTS

D99,126	S	*	3/1936	Huntington	D7/332
D177,698	S	*	5/1956	Scanland	D11/130.1
D271,935	S	*	12/1983	Conner et al.	D7/332
D337,933	S	*	8/1993	Gryz	D7/332
5,722,390	A	*	3/1998	Hannebaum	126/541

D428,299	S	*	7/2000	Pai	D7/332
D449,490	S	*	10/2001	Frederick	D7/332
D463,195	S	*	9/2002	Jimenez	D7/332
D468,952	S	*	1/2003	Graham et al.	D7/332
6,516,792	B1	*	2/2003	McDonald	126/9 R
6,637,713	B1	*	10/2003	Kleve et al.	248/440.1
6,742,514	B1	*	6/2004	Eastman, II	126/38
6,957,649	B1	*	10/2005	Bourgeois	126/40
D624,781	S	*	10/2010	Allen et al.	D7/332
2002/0129810	A1	*	9/2002	Wright	126/540
2010/0116262	A1	*	5/2010	Voges	126/25 R
2010/0326423	A1	*	12/2010	Dupont	126/540

* cited by examiner

Primary Examiner — Karen S Acker

(74) *Attorney, Agent, or Firm* — David C. Purdue

(57) **CLAIM**

The ornamental design for a spider firepit grate, as shown.

DESCRIPTION

FIG. 1 is a perspective view of a spider firepit grate showing my new design;

FIG. 2 is a rear view thereof;

FIG. 3 is a front view thereof;

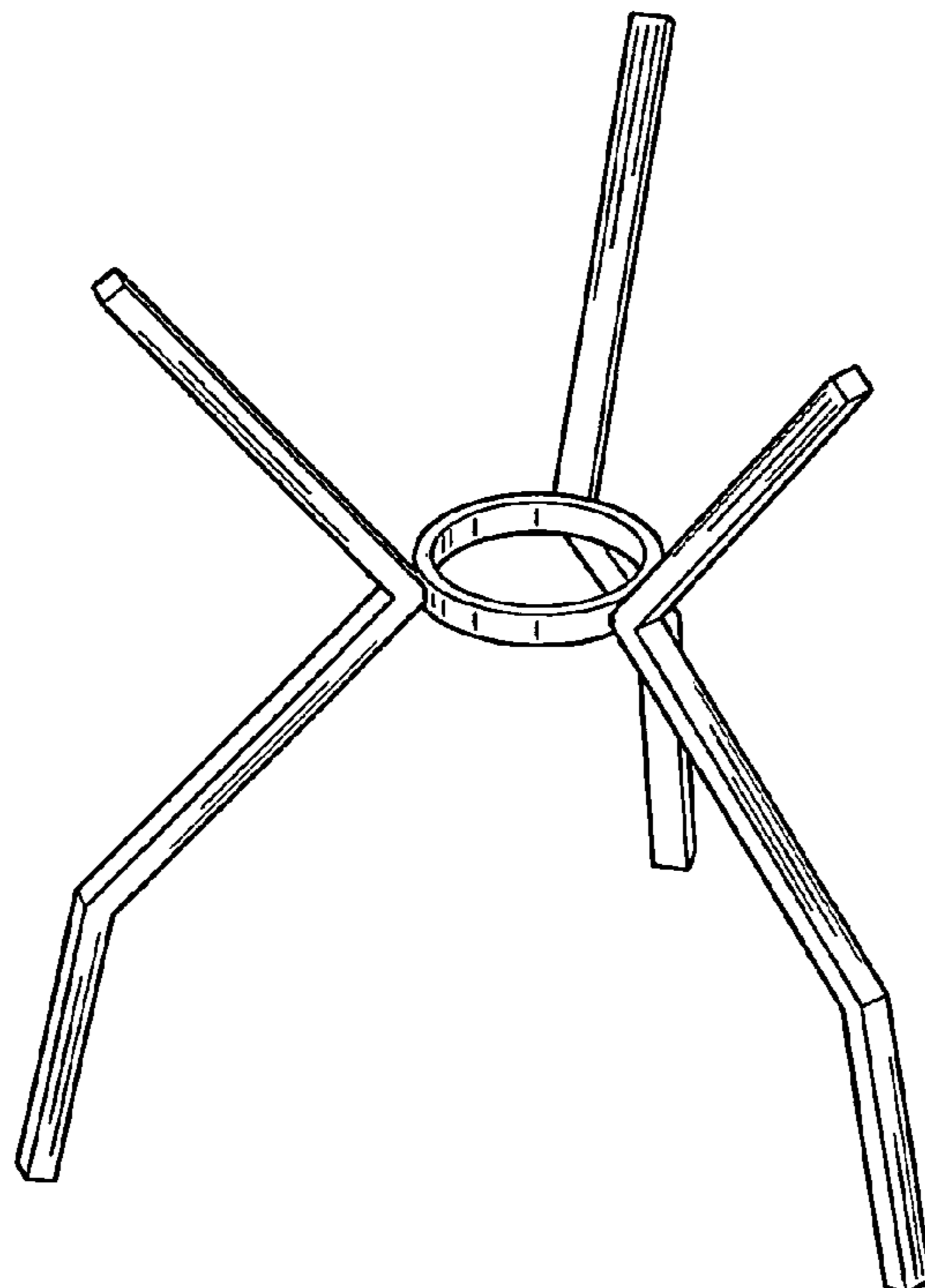
FIG. 4 is a top view thereof;

FIG. 5 is a bottom view thereof;

FIG. 6 is a left side view thereof; and,

FIG. 7 is a right side view thereof.

1 Claim, 3 Drawing Sheets



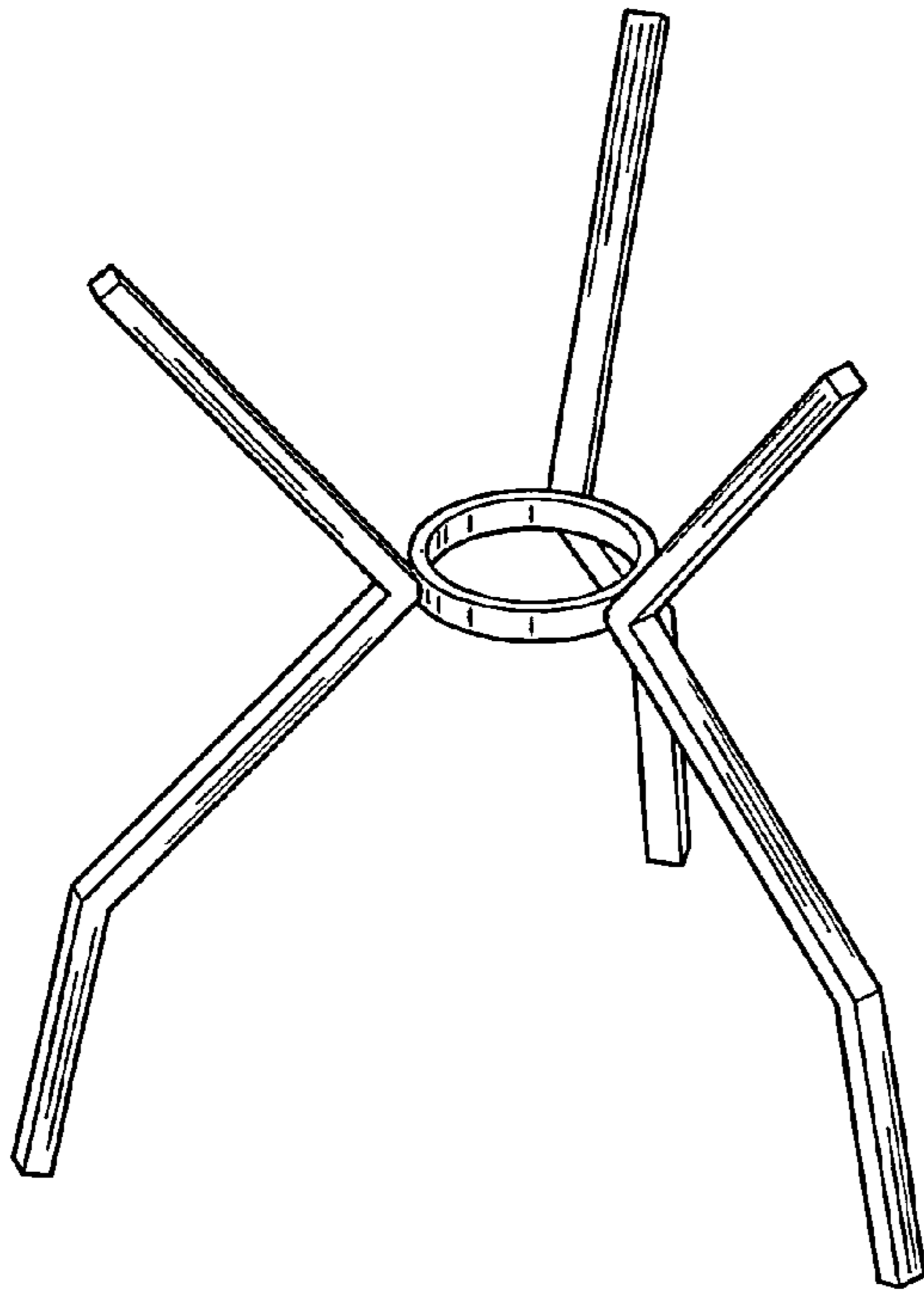


FIG. 1

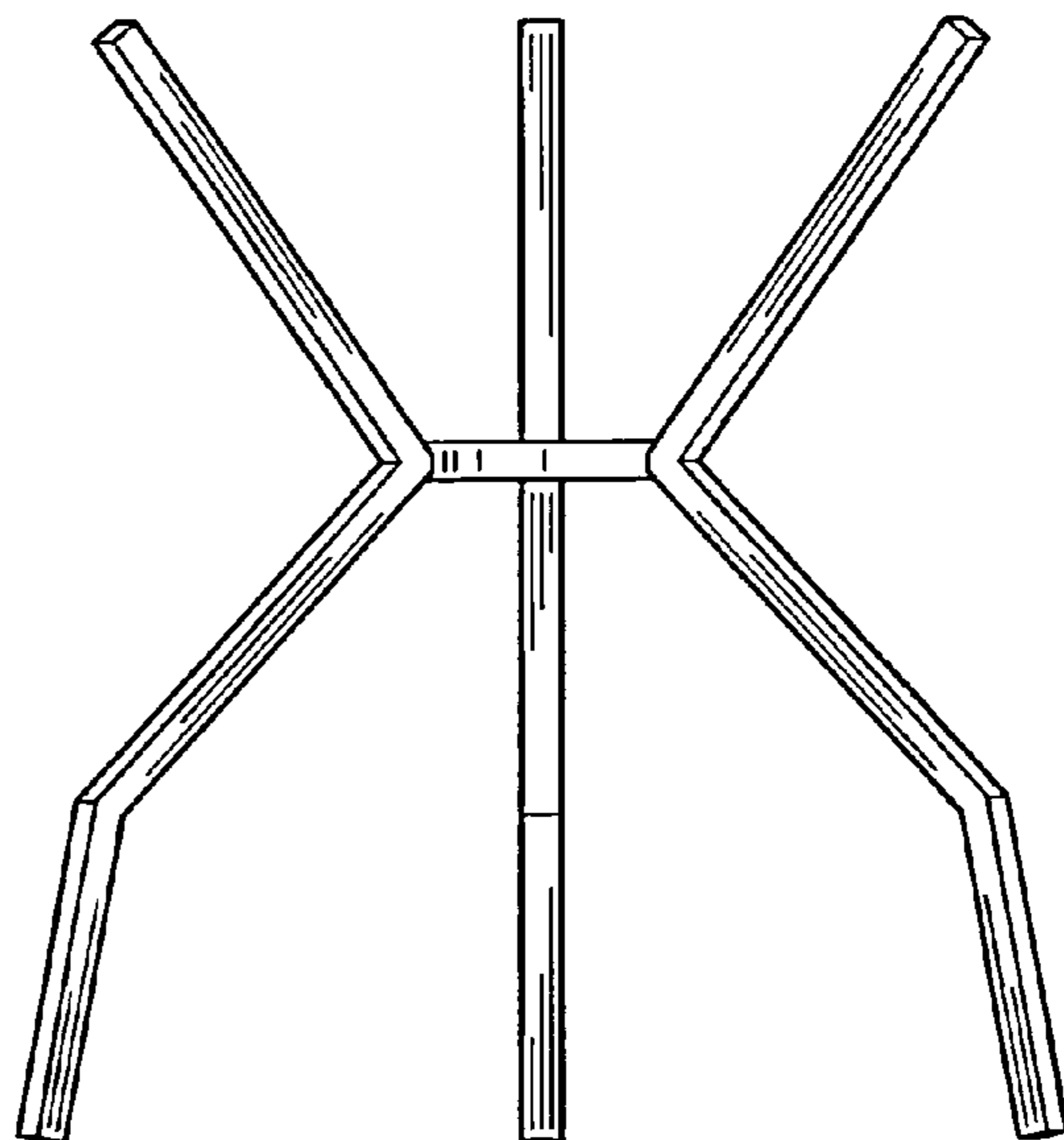


FIG. 2

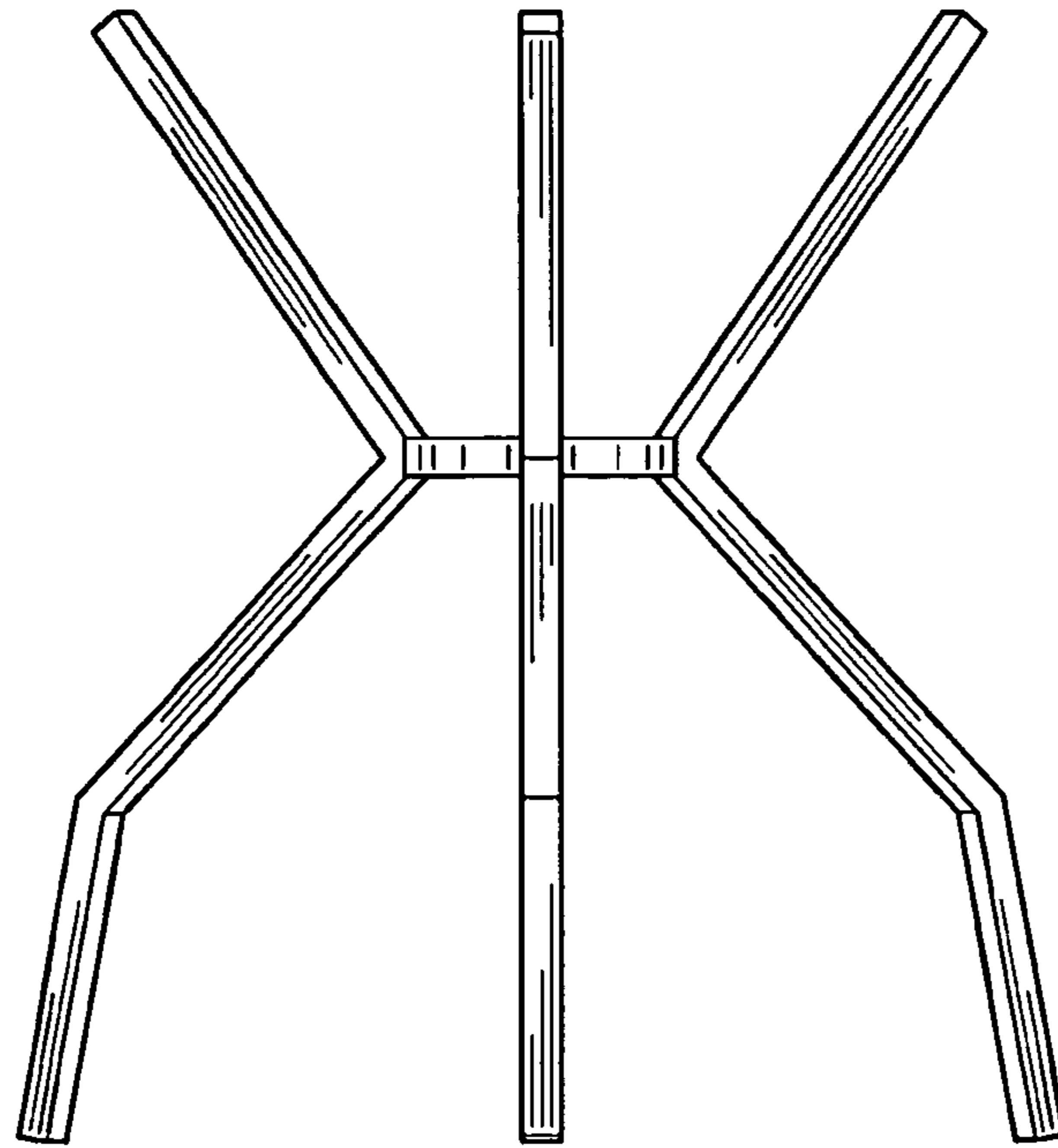


FIG. 3

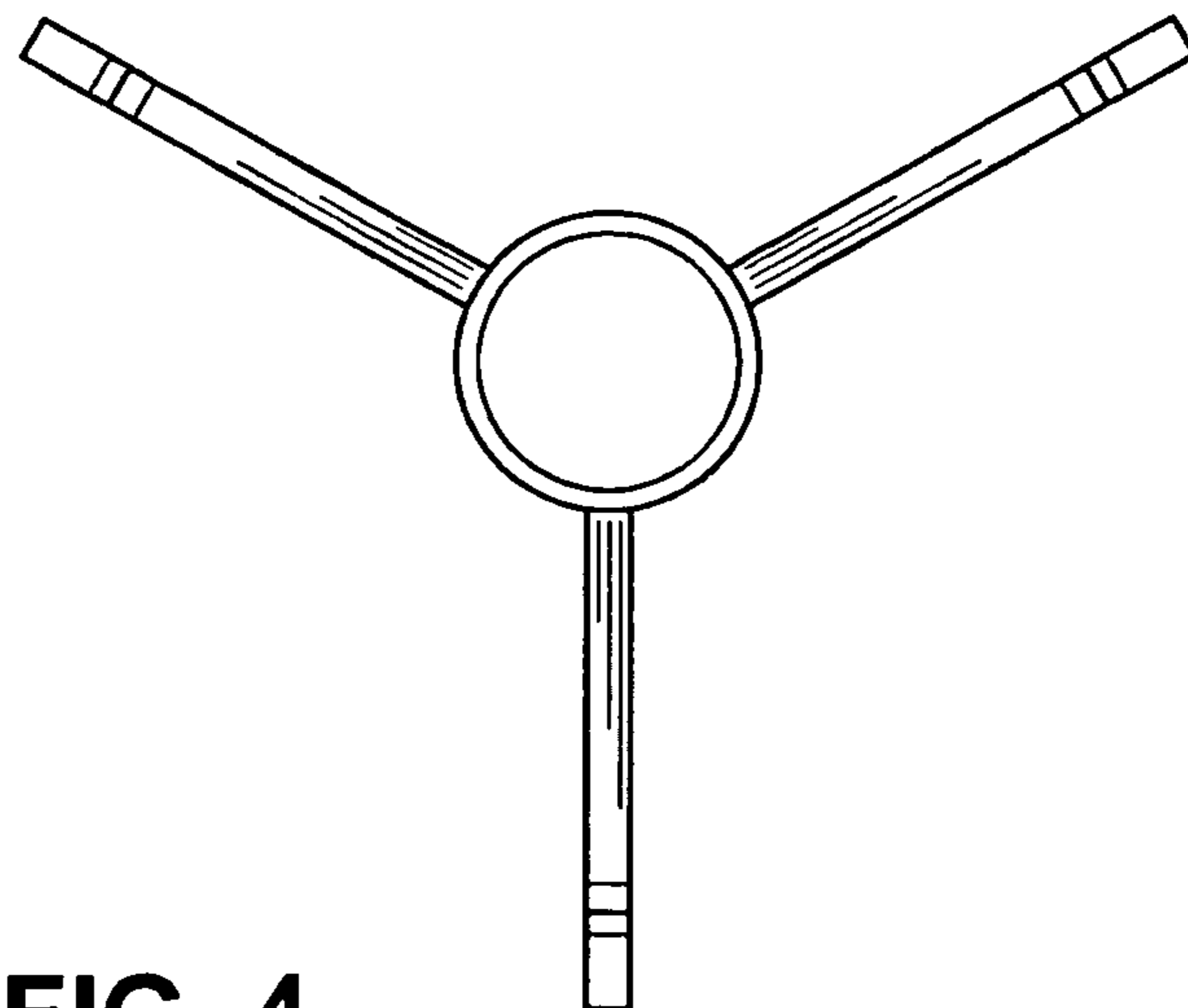


FIG. 4

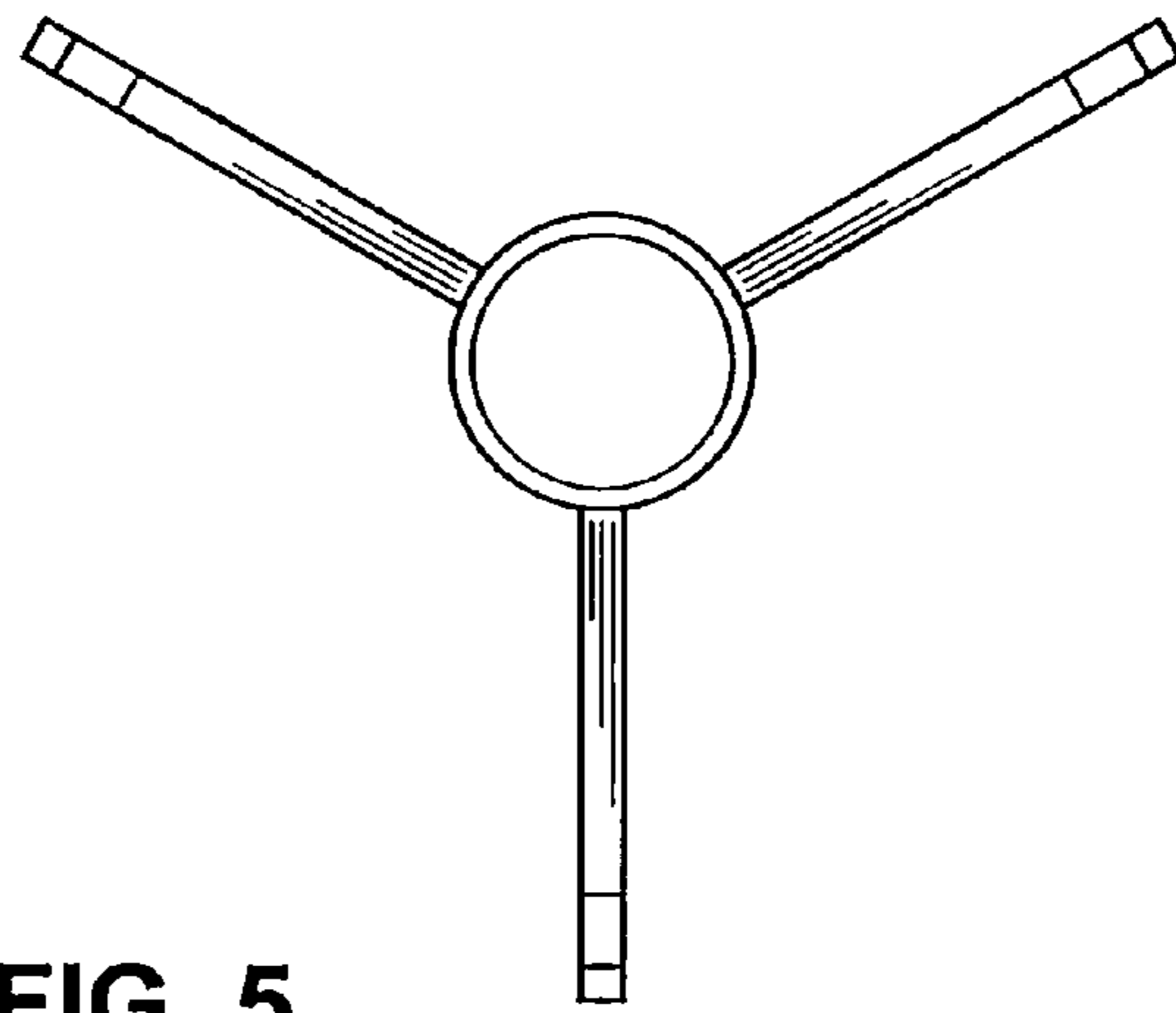


FIG. 5

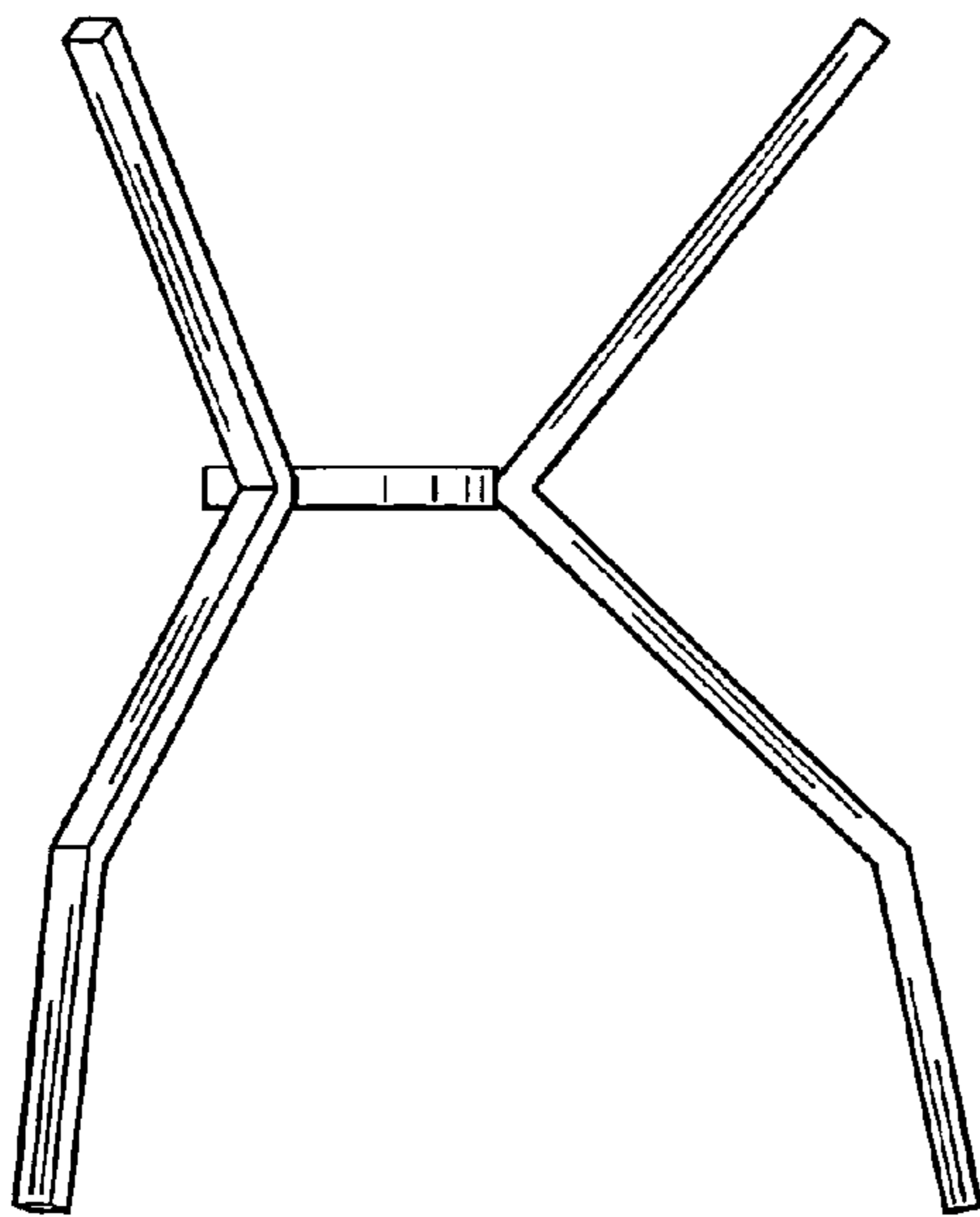


FIG. 6

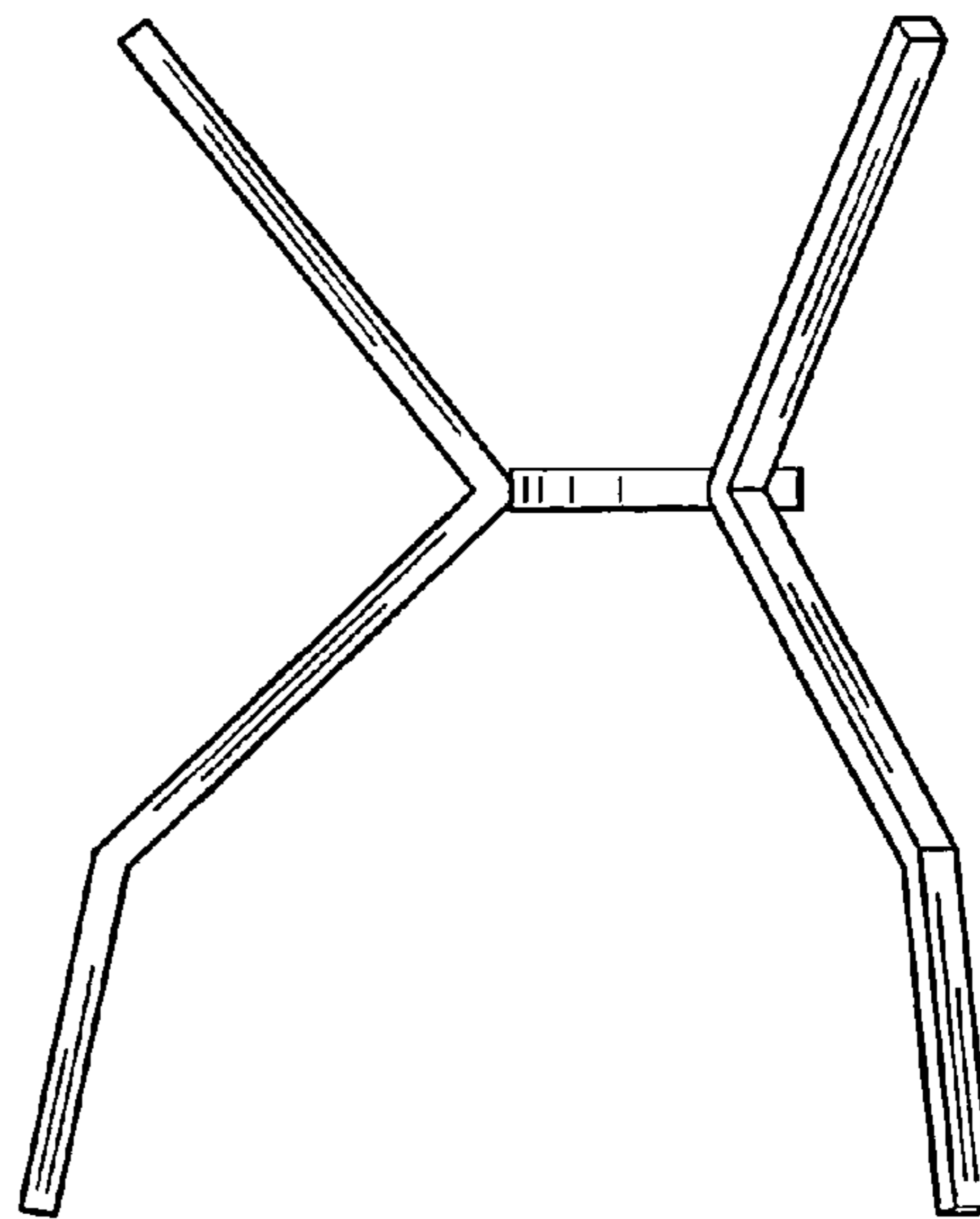


FIG. 7