



US00D697193S

(12) **United States Design Patent**  
**Hills**

(10) **Patent No.:** **US D697,193 S**

(45) **Date of Patent:** **\*\* Jan. 7, 2014**

(54) **FIREPIT GRATE**

(71) Applicant: **Lee A. Hills**, Atlanta, GA (US)

(72) Inventor: **Lee A. Hills**, Atlanta, GA (US)

(\*\*) Term: **14 Years**

(21) Appl. No.: **29/442,847**

(22) Filed: **May 28, 2013**

(51) **LOC (10) Cl.** ..... **23-03**

(52) **U.S. Cl.**  
USPC ..... **D23/403**

(58) **Field of Classification Search**  
USPC ..... D23/403-410, 415-422, 499, 345, 347,  
D23/349; D7/332, 402, 407, 417; D15/144;  
40/428, 798; 44/520, 530; 52/36.3;  
126/201, 258, 500, 512, 540, 543, 544,  
126/548, 555, 298; 160/DIG. 9; 219/549;  
431/263, 273, 329

See application file for complete search history.

(56) **References Cited**

**U.S. PATENT DOCUMENTS**

D99,126	S	*	3/1936	Huntington	.....	D7/332
D177,698	S	*	5/1956	Scanland	.....	D11/130.1
D207,935	S	*	6/1967	Lovett	.....	D23/403
D271,935	S	*	12/1983	Conner et al.	.....	D7/332
D337,933	S	*	8/1993	Gryz	.....	D7/332
5,722,390	A	*	3/1998	Hannebaum	.....	126/541
D428,299	S	*	7/2000	Pai	.....	D7/332

D449,490	S	*	10/2001	Frederick	.....	D7/332
D463,195	S	*	9/2002	Jimenez	.....	D7/332
D468,952	S	*	1/2003	Graham et al.	.....	D7/332
6,516,792	B1	*	2/2003	McDonald	.....	126/9 R
6,637,713	B1	*	10/2003	Kleve et al.	.....	248/440.1
6,742,514	B1	*	6/2004	Eastman, II	.....	126/38
6,957,649	B1	*	10/2005	Bourgeois	.....	126/40
D517,681	S	*	3/2006	Butler	.....	D23/403
D624,781	S	*	10/2010	Allen et al.	.....	D7/332
D659,233	S	*	5/2012	Litzenberger	.....	D23/403
2002/0129810	A1	*	9/2002	Wright	.....	126/540
2010/0116262	A1	*	5/2010	Voges	.....	126/25 R
2010/0326423	A1	*	12/2010	Dupont	.....	126/540

\* cited by examiner

*Primary Examiner* — Karen S Acker

(74) *Attorney, Agent, or Firm* — David C. Purdue

(57) **CLAIM**

The ornamental design for a firepit grate, as shown.

**DESCRIPTION**

FIG. 1 is a perspective view of a spider firepit grate showing my new design;

FIG. 2 is a rear view thereof;

FIG. 3 is a front view thereof;

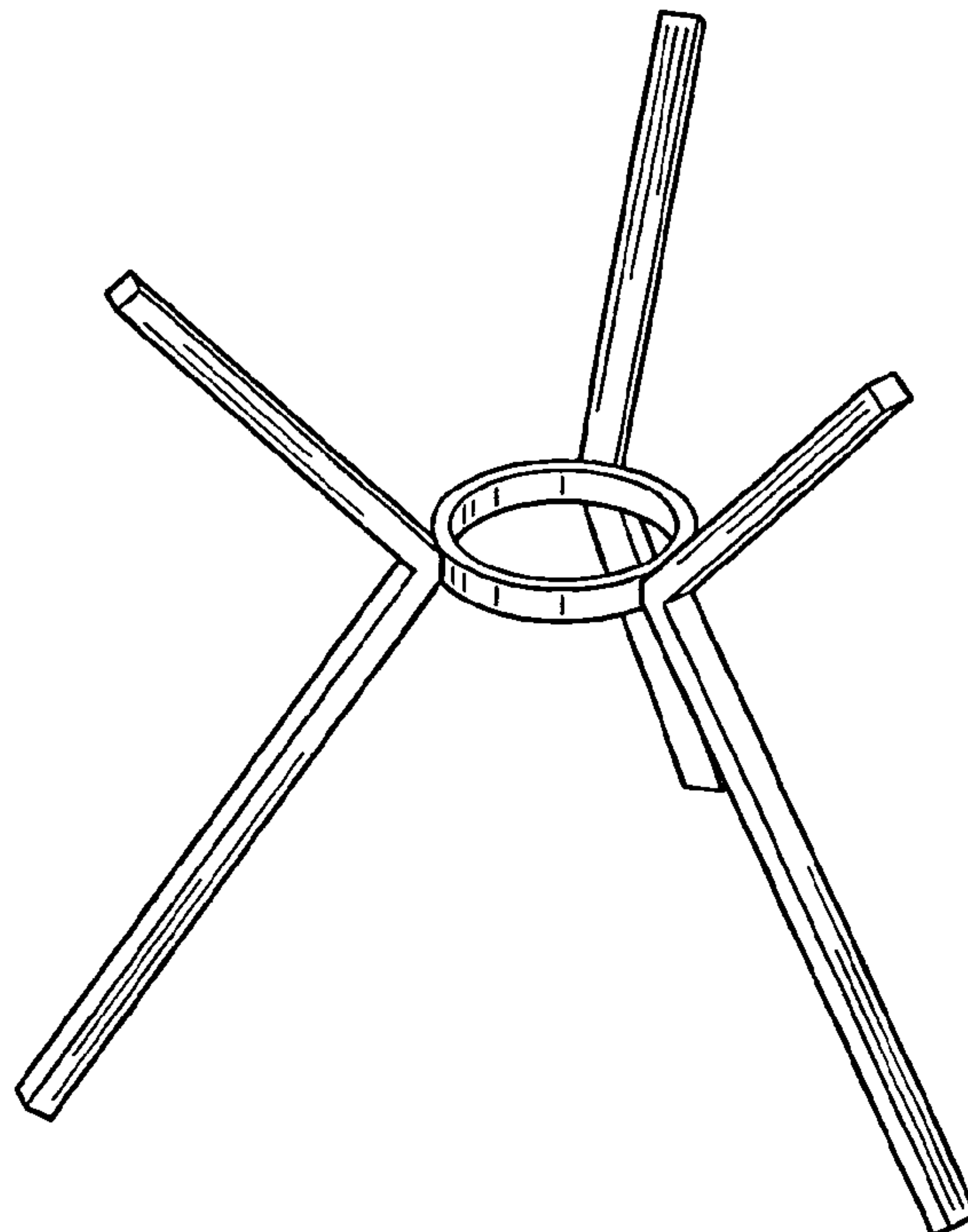
FIG. 4 is a top view thereof;

FIG. 5 is a bottom view thereof;

FIG. 6 is a left side view thereof; and,

FIG. 7 is a right side view thereof.

**1 Claim, 3 Drawing Sheets**



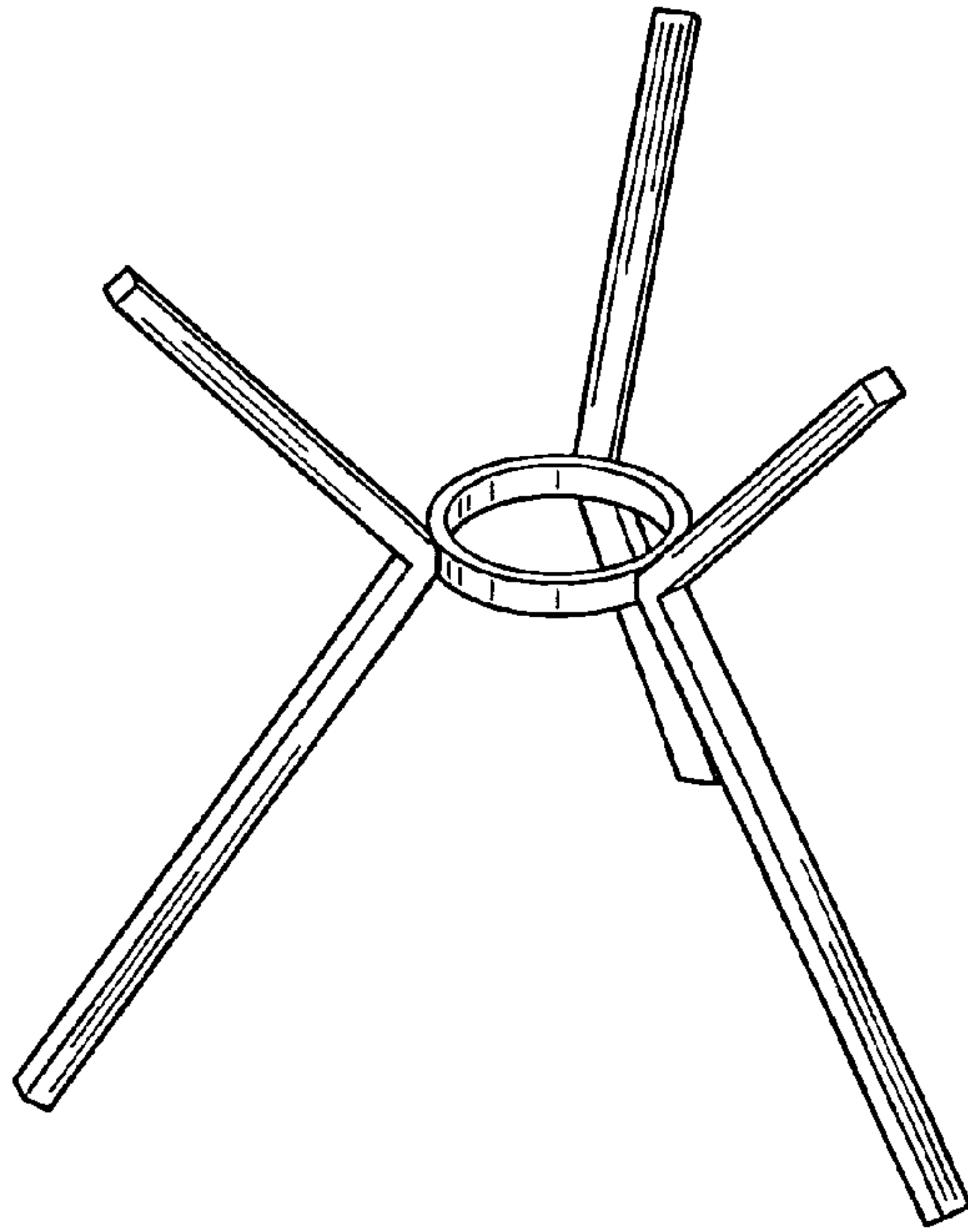


FIG. 1

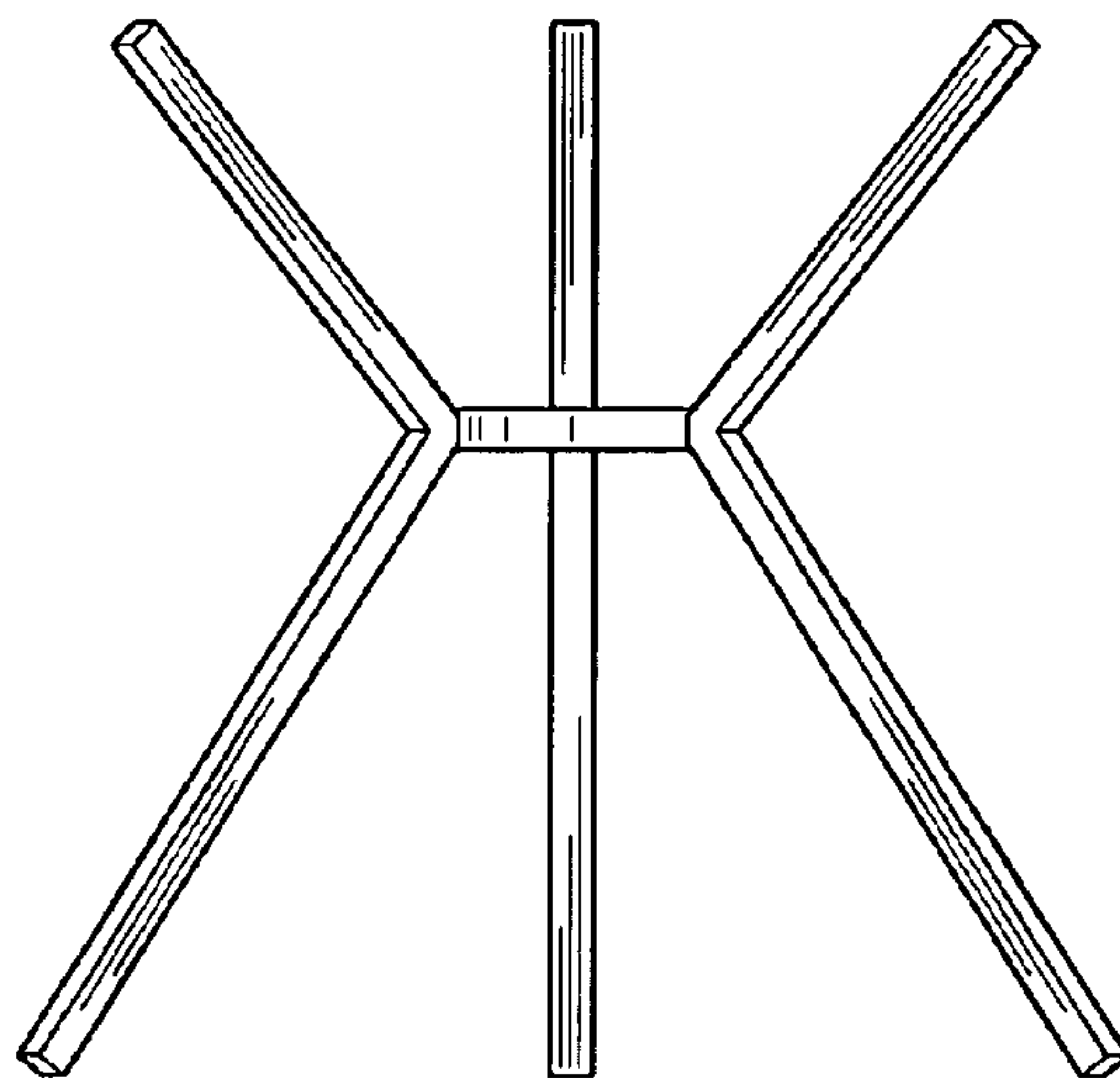
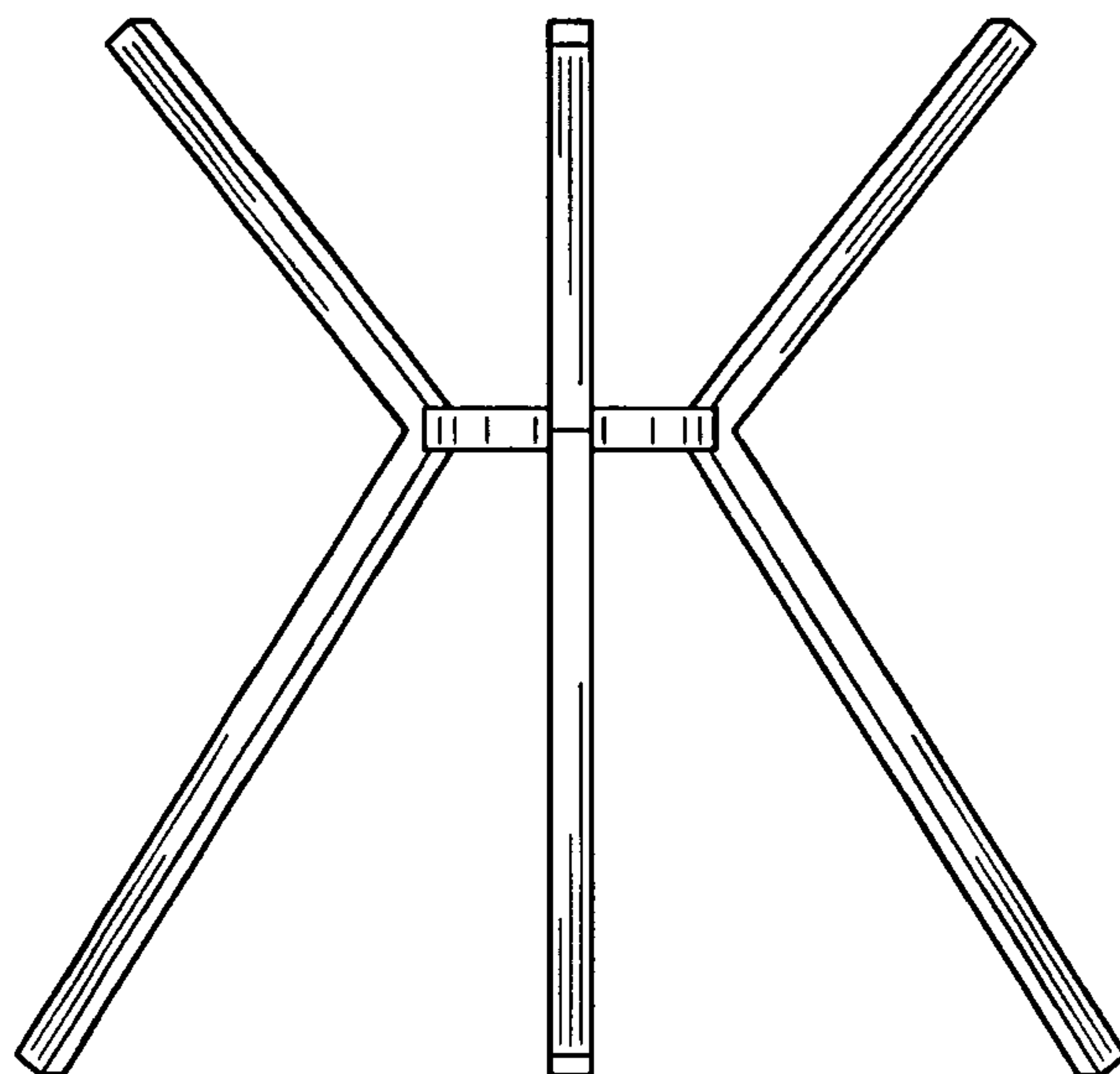
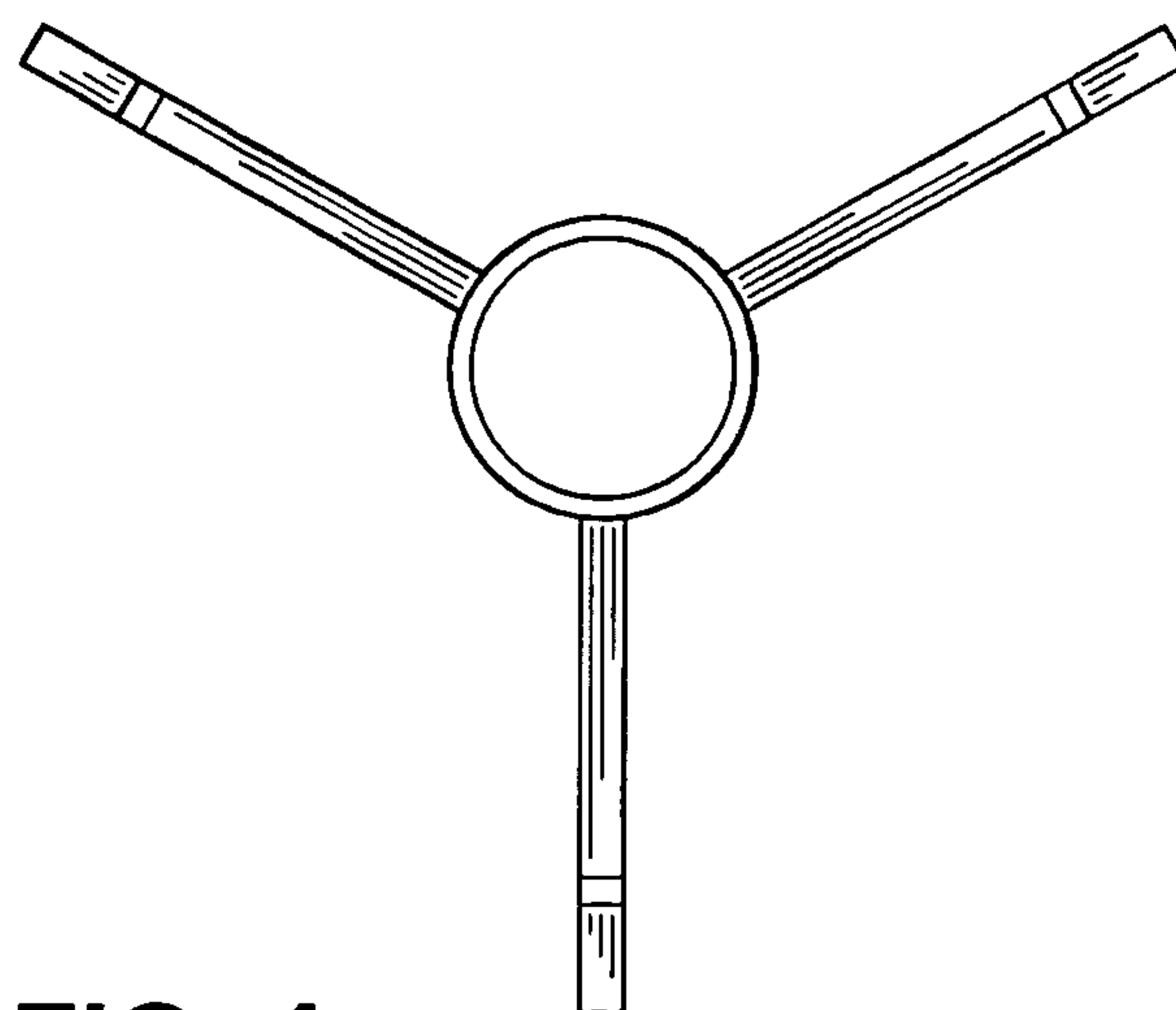


FIG. 2



**FIG. 3**



**FIG. 4**

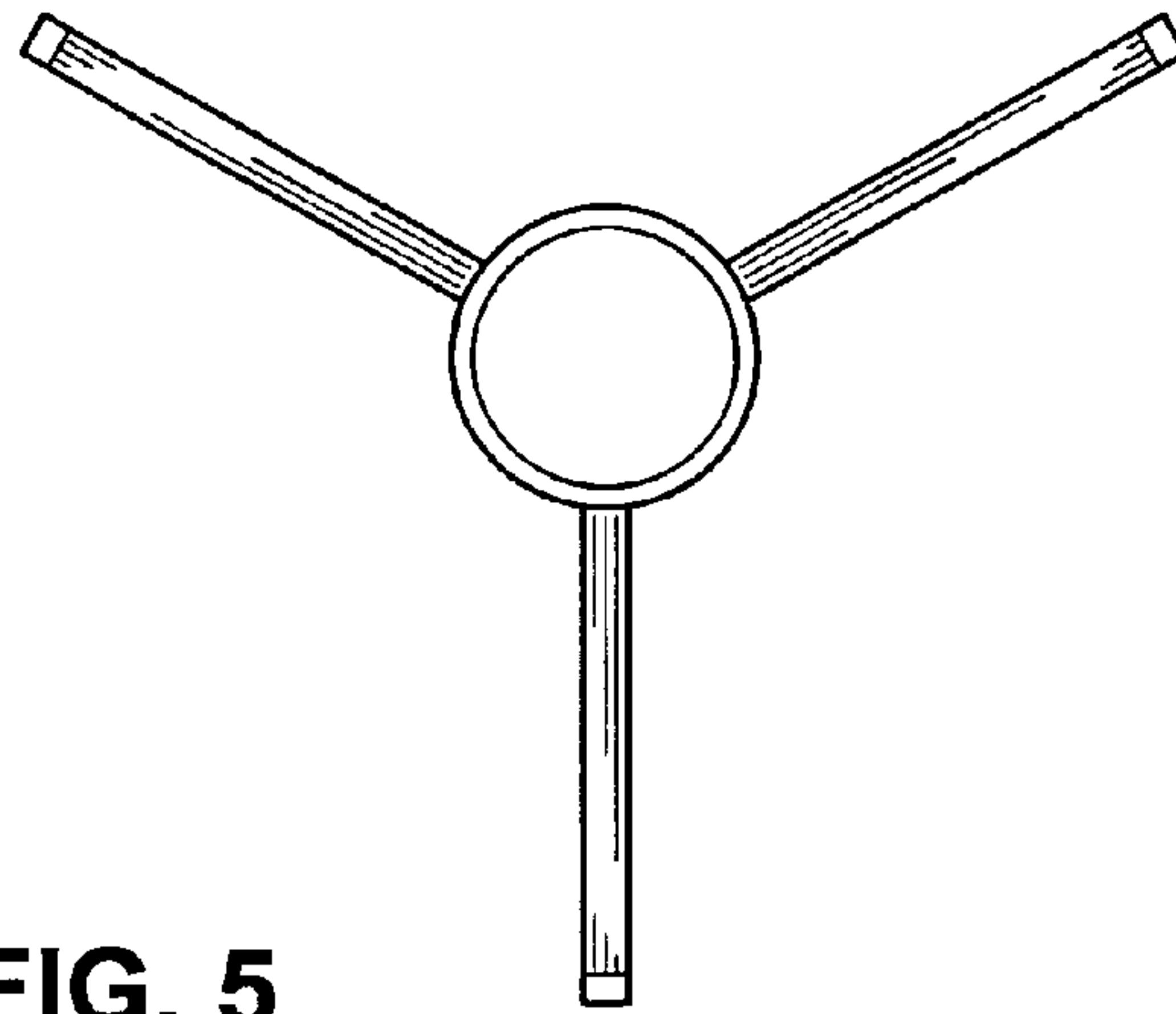


FIG. 5

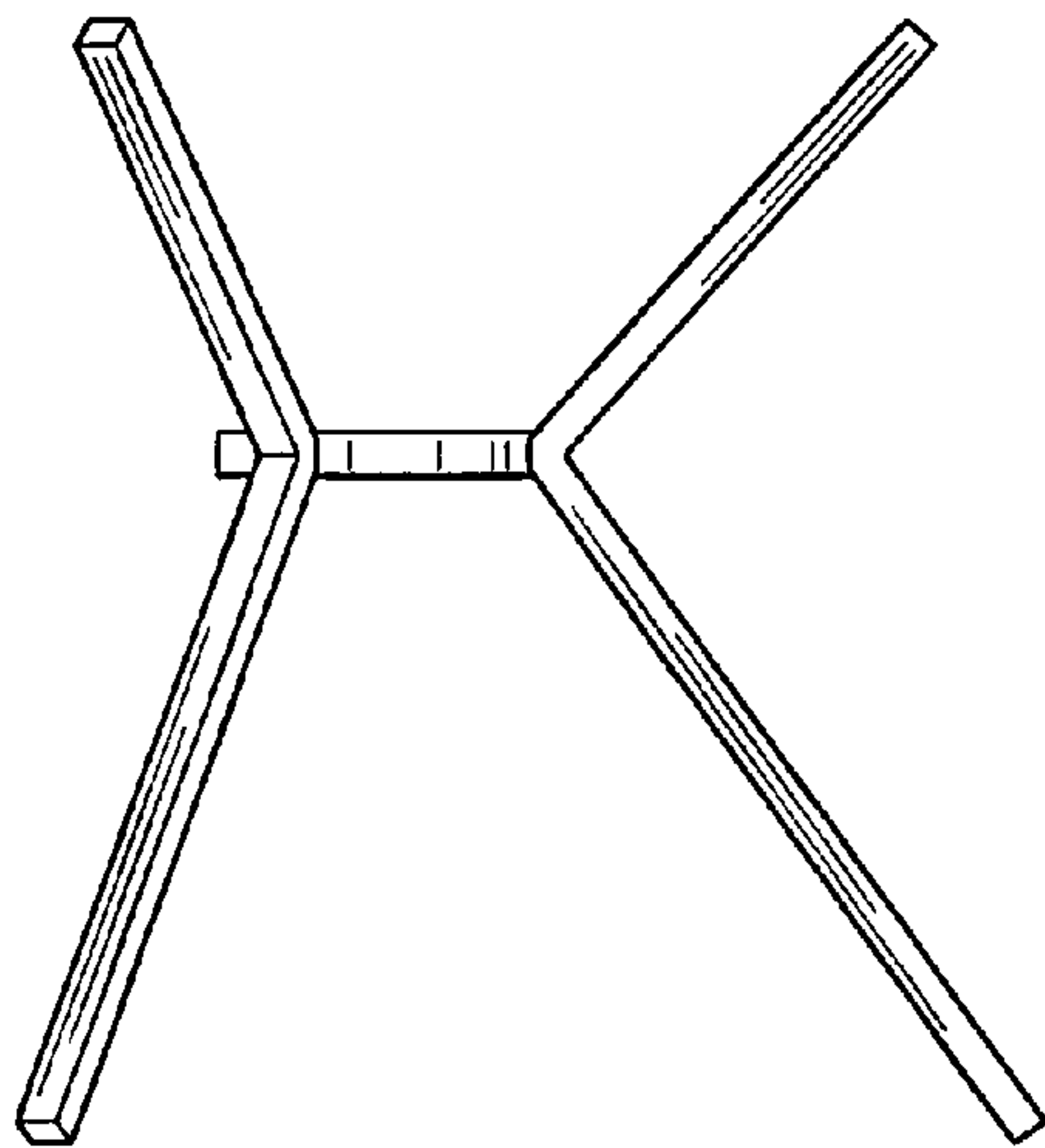


FIG. 6

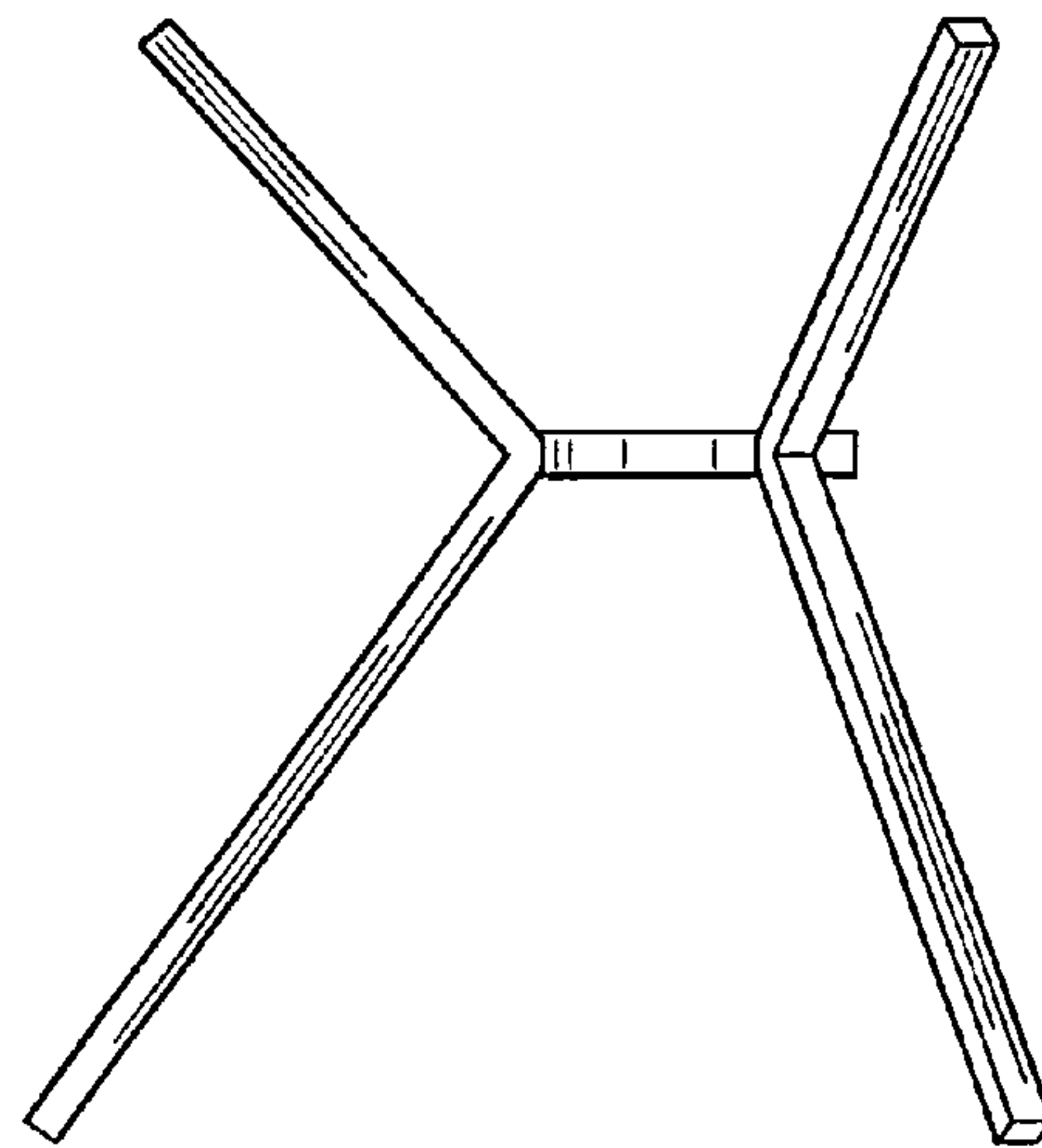


FIG. 7