

US00D697190S

(12) **United States Design Patent**
Ainley et al.

(10) **Patent No.:** **US D697,190 S**
(45) **Date of Patent:** **** Jan. 7, 2014**

(54) **HEAT EXCHANGER ASSEMBLY**
(71) Applicant: **Frenger Systems Limited**, Derby (GB)
(72) Inventors: **Michael Ainley**, Derby (GB); **Andrew Gaskell**, Derby (GB)
(73) Assignee: **Frenger Systems Limite**, Derby (GB)
(**) Term: **14 Years**
(21) Appl. No.: **29/458,740**

D407,473 S 3/1999 Wimboeck
6,138,667 A * 10/2000 Cakebread 126/512
D551,327 S 9/2007 Lamanna
D683,000 S 5/2013 Smith
2004/0123859 A1 * 7/2004 Searcy 126/85 B
2005/0011512 A1 * 1/2005 Bachinski et al. 126/521
2013/0039074 A1 2/2013 Ding

* cited by examiner

Primary Examiner — T. Chase Nelson

Assistant Examiner — Ania Aman

(74) *Attorney, Agent, or Firm* — Maier & Maier, PLLC

(22) Filed: **Jun. 21, 2013**
(51) **LOC (10) Cl.** **23-03**
(52) **U.S. Cl.**
USPC **D23/323**
(58) **Field of Classification Search**
USPC D23/314, 342, 343, 323; 26/547;
126/92 AC, 92 B, 91 R, 200; 165/499,
165/450, 152, 182, 176, 165
See application file for complete search history.

(57) **CLAIM**

The ornamental design for a heat exchanger assembly, as shown and described.

DESCRIPTION

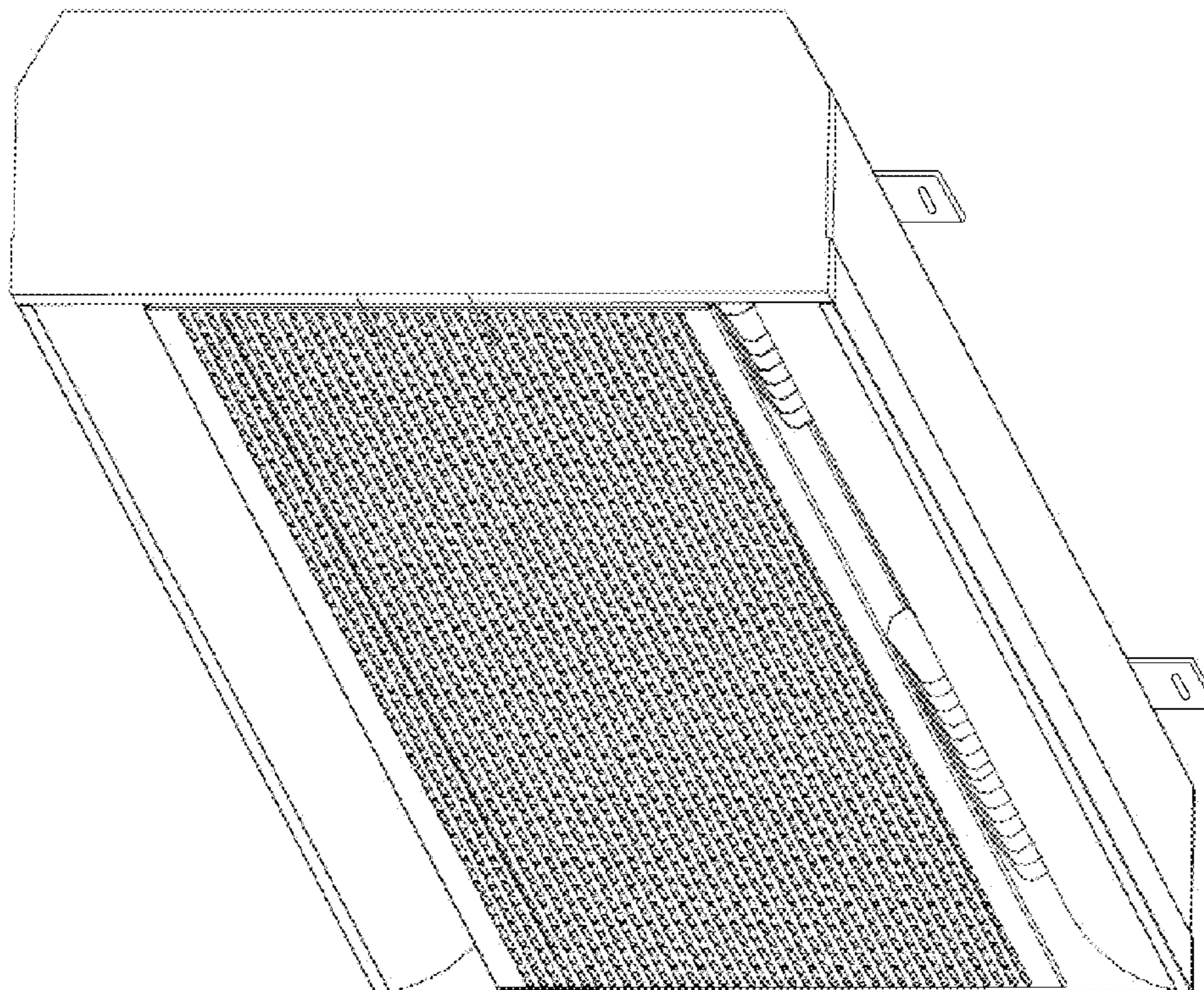
FIG. 1 is a bottom front perspective view of a heat exchanger assembly, showing our design;
FIG. 2 is a front elevational plan view thereof;
FIG. 3 is a rear elevational view thereof;
FIG. 4 is a right side view thereof, the left side view being a mirror image of the right side view;
FIG. 5 is a top plan view thereof; and,
FIG. 6 is a bottom plan view thereof.

(56) **References Cited**

U.S. PATENT DOCUMENTS

D155,850 S 11/1949 Greene
D266,578 S 10/1982 Moshier
D376,000 S * 11/1996 Wilson et al. D23/342
D402,361 S 12/1998 Nepsund et al.

1 Claim, 4 Drawing Sheets



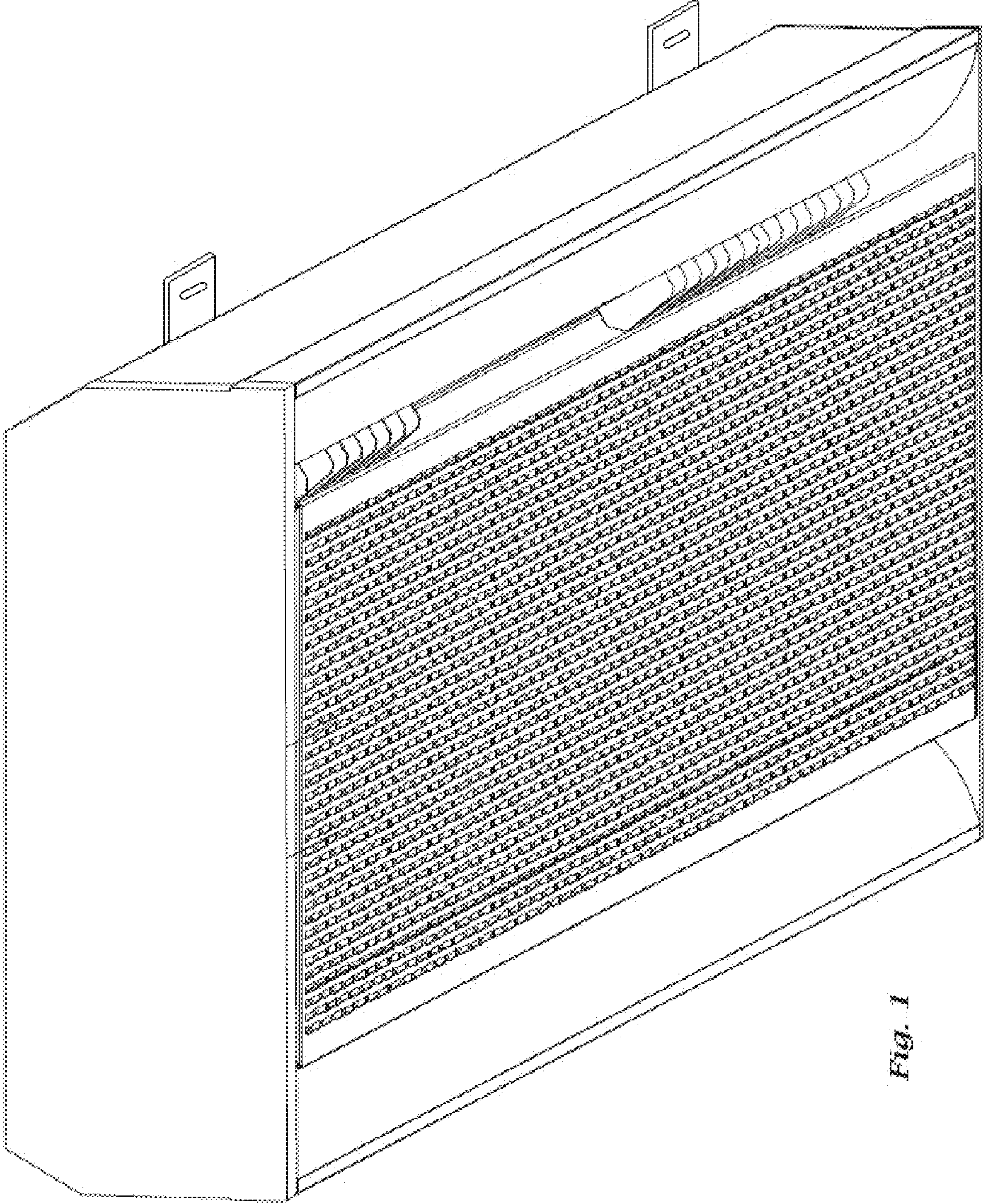


Fig. 1

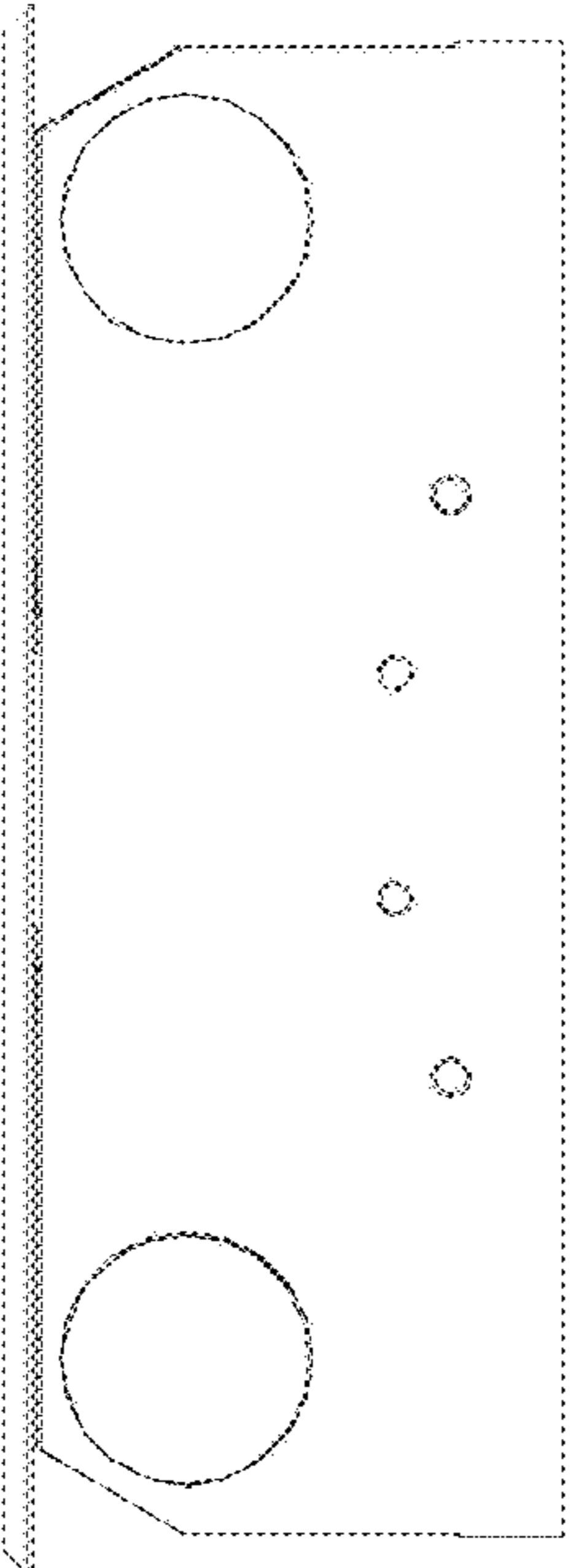


Fig. 2

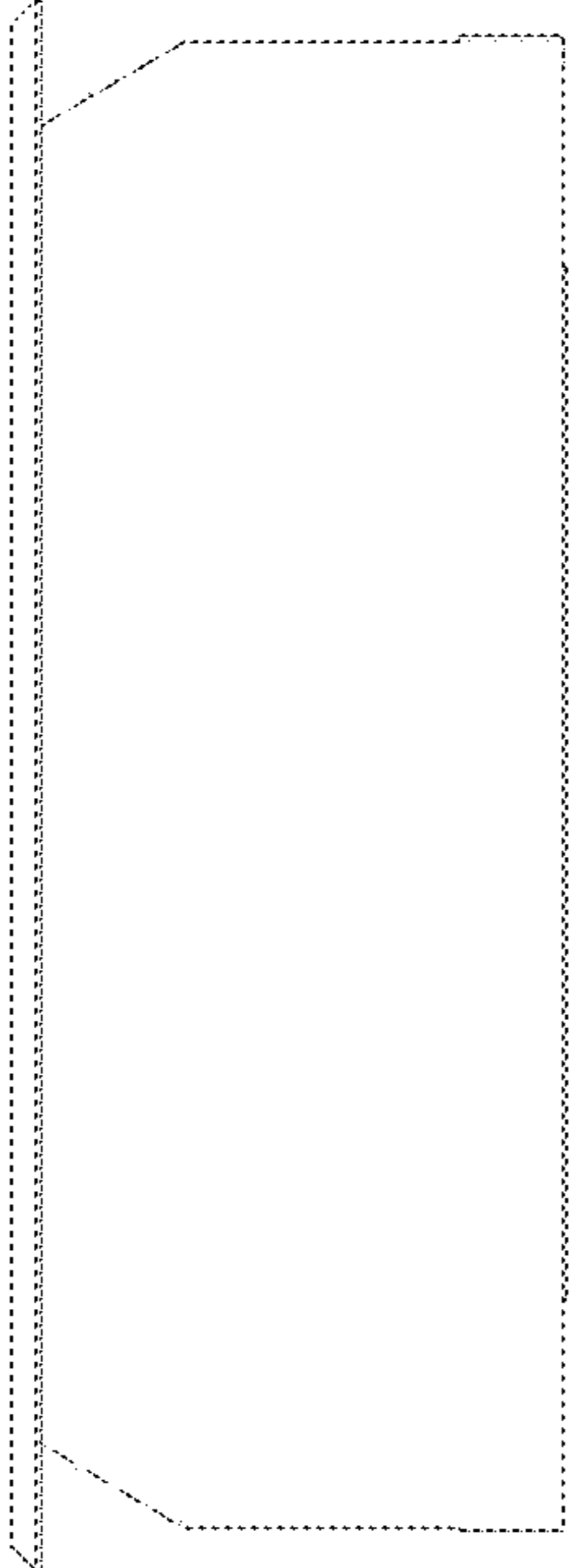


Fig. 3

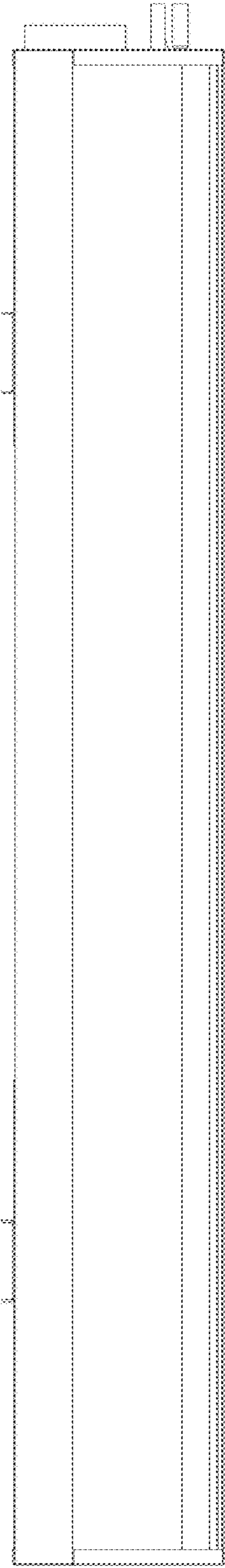


Fig. 4

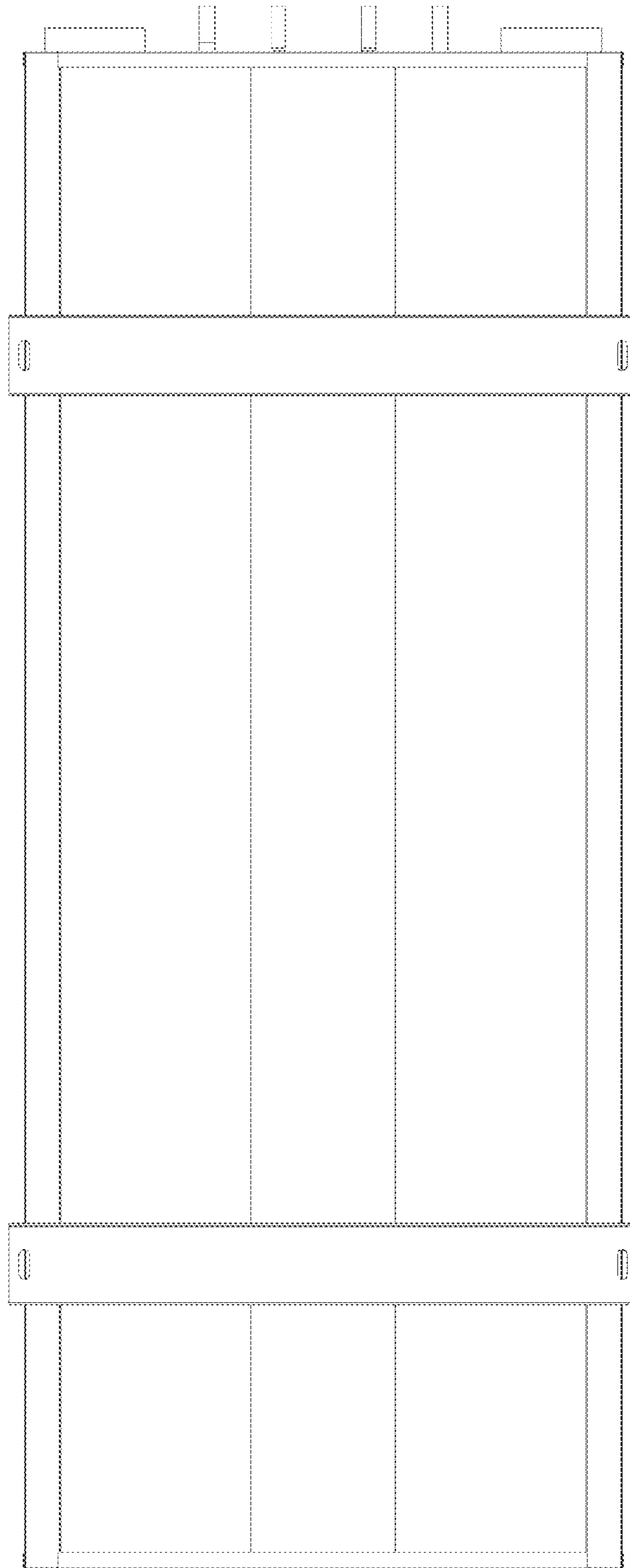


Fig. 5

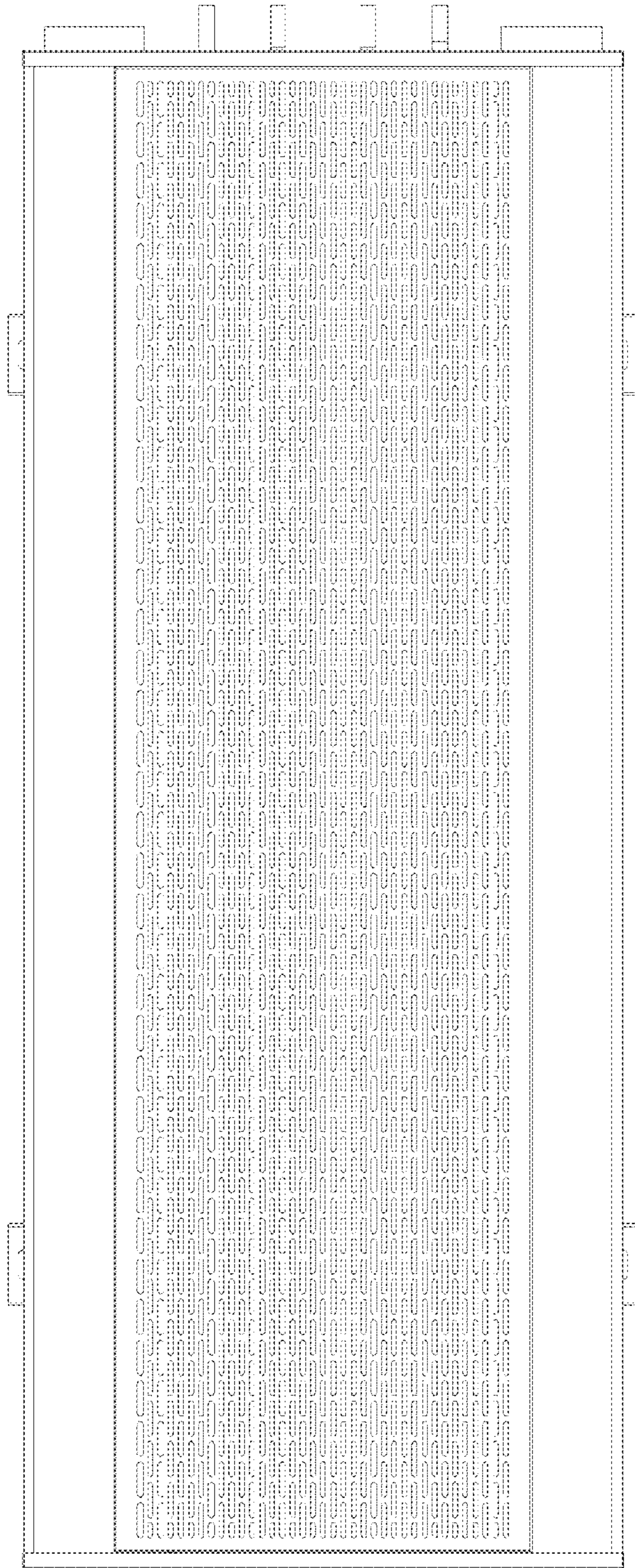


Fig. 6