



US00D697189S

(12) **United States Design Patent**  
**Rathbone**

(10) **Patent No.:** **US D697,189 S**  
(45) **Date of Patent:** **\*\* Jan. 7, 2014**

(54) **TOILET TRAINING SEAT**

(71) Applicant: **Pourty International Limited,**  
Gloucestershire (GB)

(72) Inventor: **Jonathan David Rathbone,** Dursley  
(GB)

(73) Assignee: **Pourty International Limited** (GB)

(\*\*) Term: **14 Years**

(21) Appl. No.: **29/437,740**

(22) Filed: **Nov. 20, 2012**

(30) **Foreign Application Priority Data**

Sep. 19, 2012 (EM) ..... 002106088-0001

(51) **LOC (10) Cl.** ..... **23-02**

(52) **U.S. Cl.**  
USPC ..... **D23/311; D23/296**

(58) **Field of Classification Search**  
USPC ..... D23/311, 296, 303; 4/237, 239  
See application file for complete search history.

(56) **References Cited**

**U.S. PATENT DOCUMENTS**

D411,290 S \* 6/1999 Bergkvist ..... D23/296  
6,339,851 B1 \* 1/2002 Bergkvist ..... 4/239  
D621,489 S \* 8/2010 Tu ..... D23/311

**FOREIGN PATENT DOCUMENTS**

NO 20005338 A 12/2000

**OTHER PUBLICATIONS**

Japanese toilet seat, <http://www.amazon.co.jp/%E3%83%AA%E3%83%83%E3%83%81%E3%82%A7%E3%83%AB-%E3%82%BD%E3%83%95%E3%83%88%E8%A3%9C%E5%8A%A9%E4%BE%BF%E5%BA%A7-%E3%82%A4%E3%82%A8>

%E3%83%AD%E3%83%BC/dp/B005CT9NMK/ref=sr\_1\_27?s=baby&ie=UTF8&qid=1353335489&sr=1-27, presently believed to have been publicly available since at least about Jul. 2011, 6 pages. Baby Bjorn Toilet Trainer, [http://www.amazon.co.uk/BabyBjorn-Toilet-Trainer-Snow-White-Pitch/dp/B00006RHLT/ref=sr\\_1\\_21?s=baby&ie=UTF8&qid=1353335717&sr=1-21](http://www.amazon.co.uk/BabyBjorn-Toilet-Trainer-Snow-White-Pitch/dp/B00006RHLT/ref=sr_1_21?s=baby&ie=UTF8&qid=1353335717&sr=1-21), presently believed to have been publicly available since at least about 2001, 6 pages. Cushie Traveler Toilet Training Seat, 3. [http://www.amazon.co.uk/Cushie-Traveler-Toilet-Training-Seat/dp/B000F1O8T8/ref=sr\\_1\\_1?s=baby&ie=UTF8&qid=1353336648&sr=1-1](http://www.amazon.co.uk/Cushie-Traveler-Toilet-Training-Seat/dp/B000F1O8T8/ref=sr_1_1?s=baby&ie=UTF8&qid=1353336648&sr=1-1), presently believed to have been publicly available since at least about May 2009, 6 pages.

(Continued)

*Primary Examiner* — Robert Delehanty

(74) *Attorney, Agent, or Firm* — Fitch, Even, Tabin & Flannery LLP

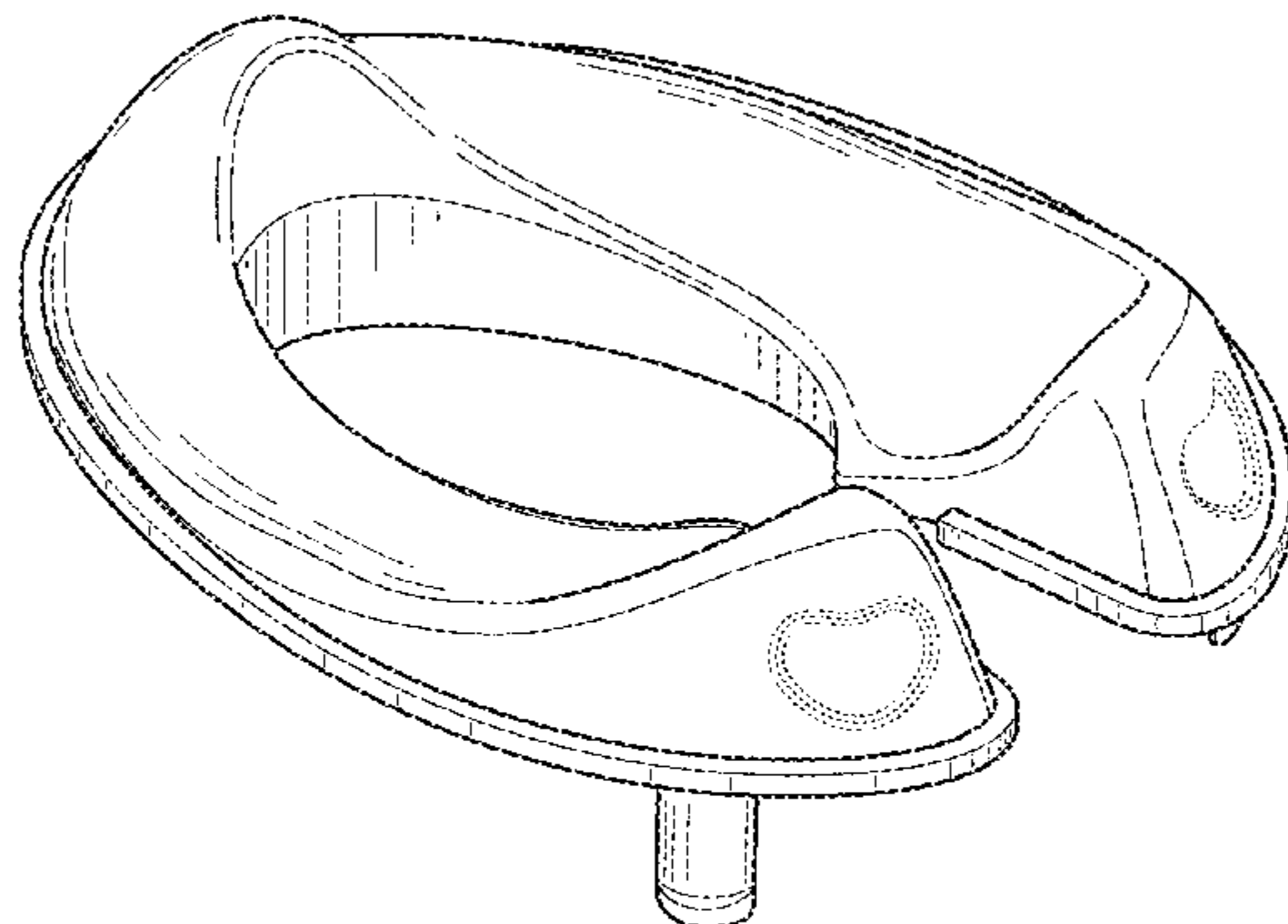
(57) **CLAIM**

I claim the ornamental design for a toilet training seat, as shown and described.

**DESCRIPTION**

FIG. 1 is a perspective view of a toilet training seat in accordance with my new design;  
FIG. 2 is a left side elevational view of the toilet training seat of FIG. 1;  
FIG. 3 is a right side elevational view of the toilet training seat of FIG. 1;  
FIG. 4 is a front elevational view of the toilet training seat of FIG. 1;  
FIG. 5 is a rear elevational view of the toilet training seat of FIG. 1; and,  
FIG. 6 is a top plan view of the toilet training seat of FIG. 1. The broken lines are included for the purpose of illustrating the unclaimed portions of the toilet training seat and form no part of the claim.

**1 Claim, 6 Drawing Sheets**



(56)

**References Cited**

OTHER PUBLICATIONS

Prince Lionheart weePOD Toilet Trainer, <http://www.youtube.com/watch?v=kC-DswQ5AcY> [http://www.amazon.com/Prince-Lionheart-weePOD-Toilet-Trainer/dp/B005ZBHZCK/ref=sr\\_1\\_32?s=](http://www.amazon.com/Prince-Lionheart-weePOD-Toilet-Trainer/dp/B005ZBHZCK/ref=sr_1_32?s=)

baby-products&ie=UTF8&qid=1353337066&sr=1-32, presently believed to have been publicly available since at least about Jan. 2011, 7 pages.

\* cited by examiner

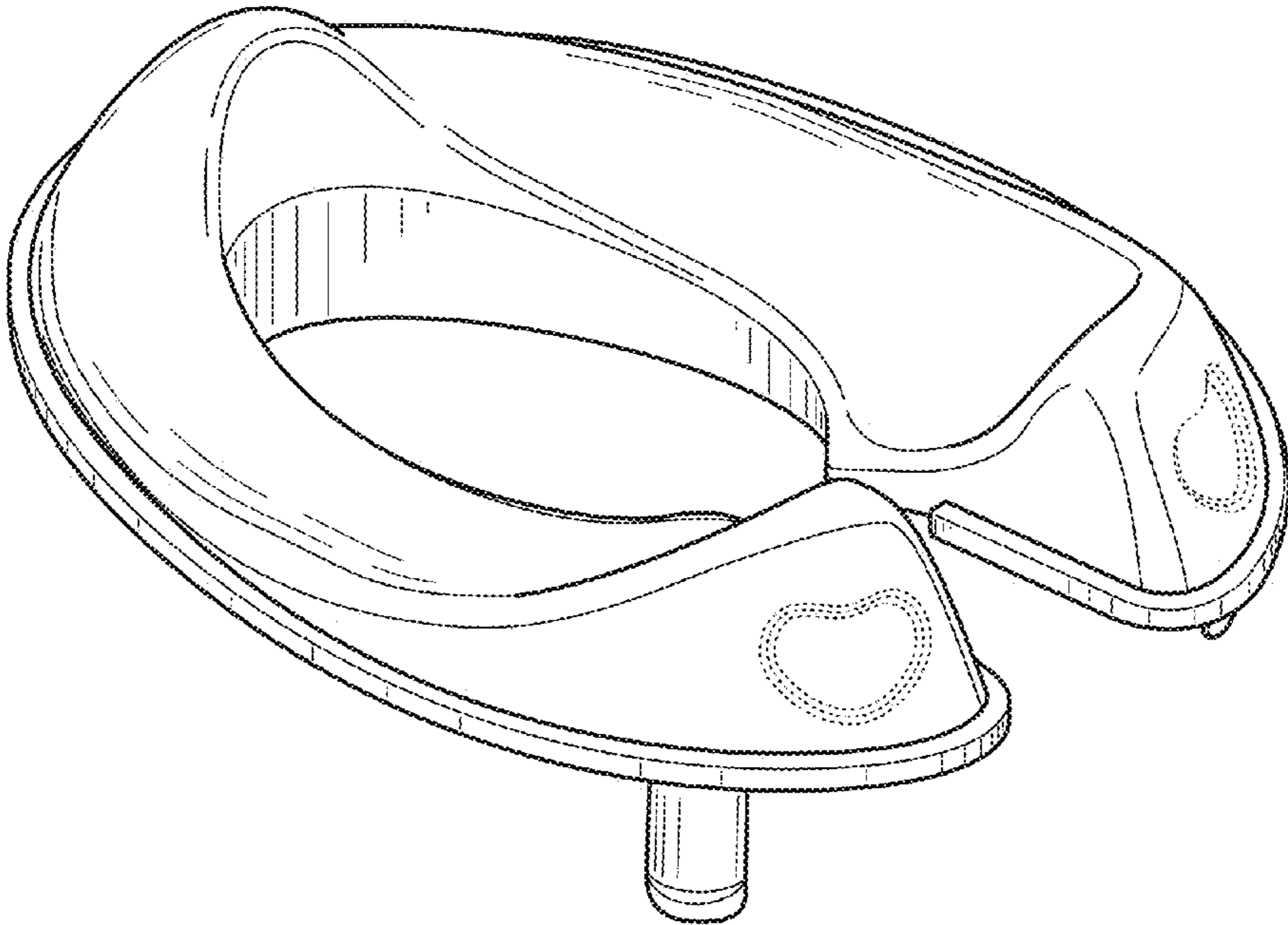


FIG. 1

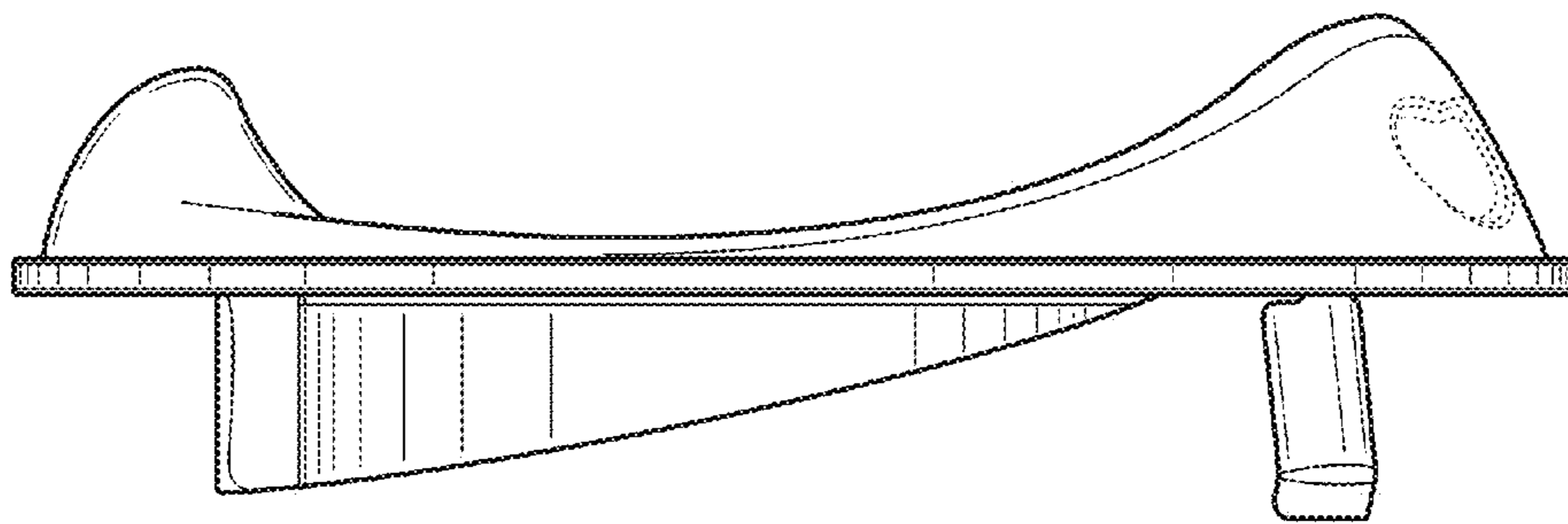


FIG. 2

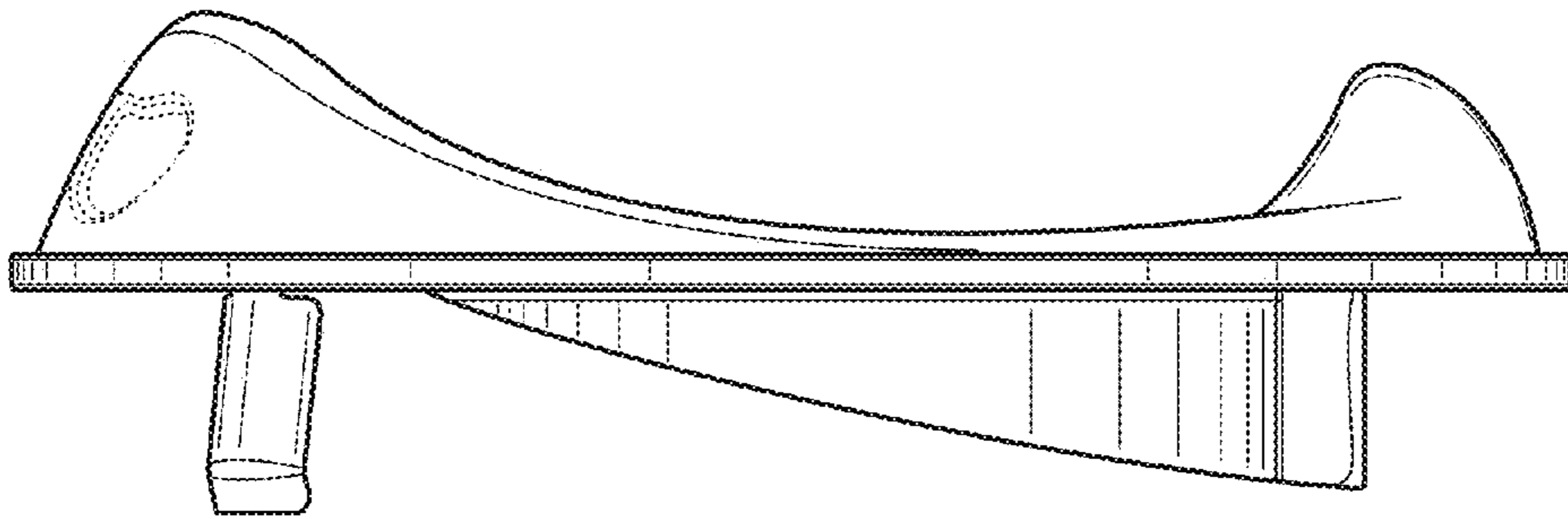


FIG. 3

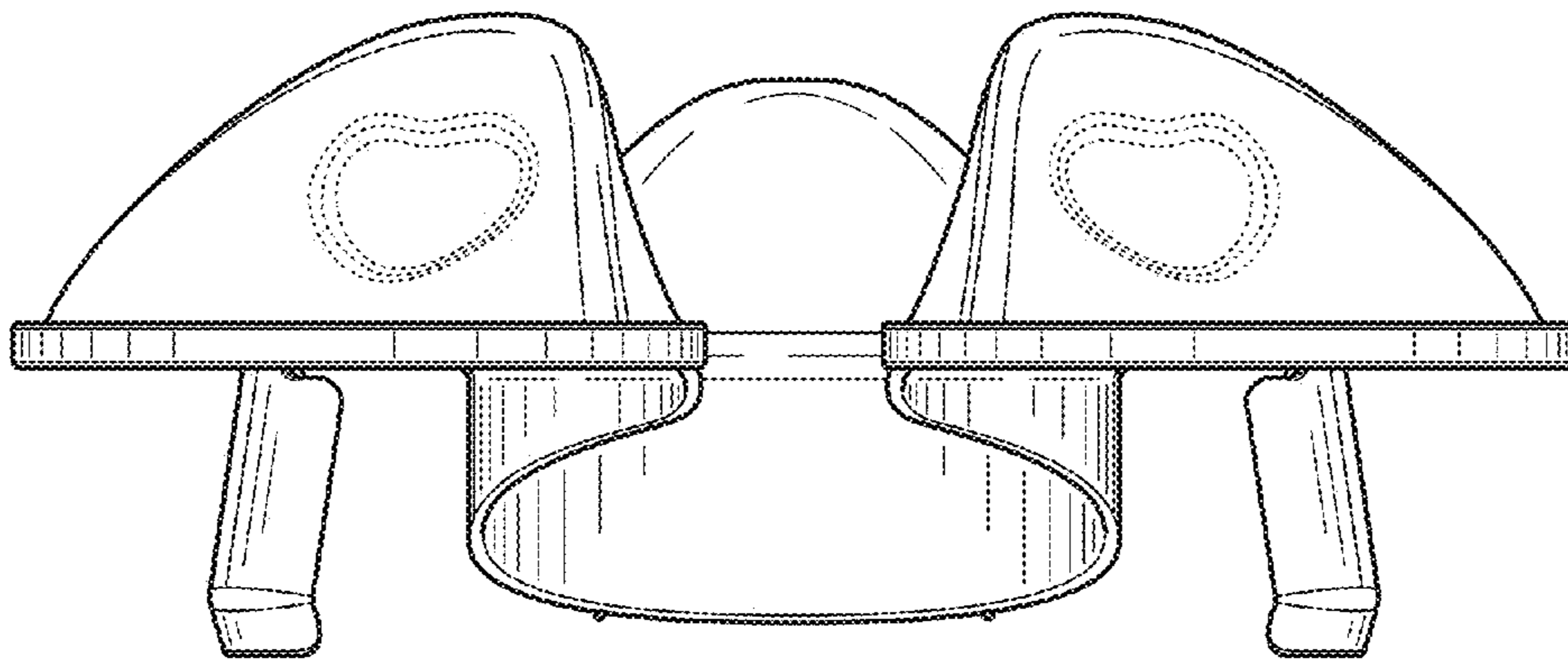


FIG. 4

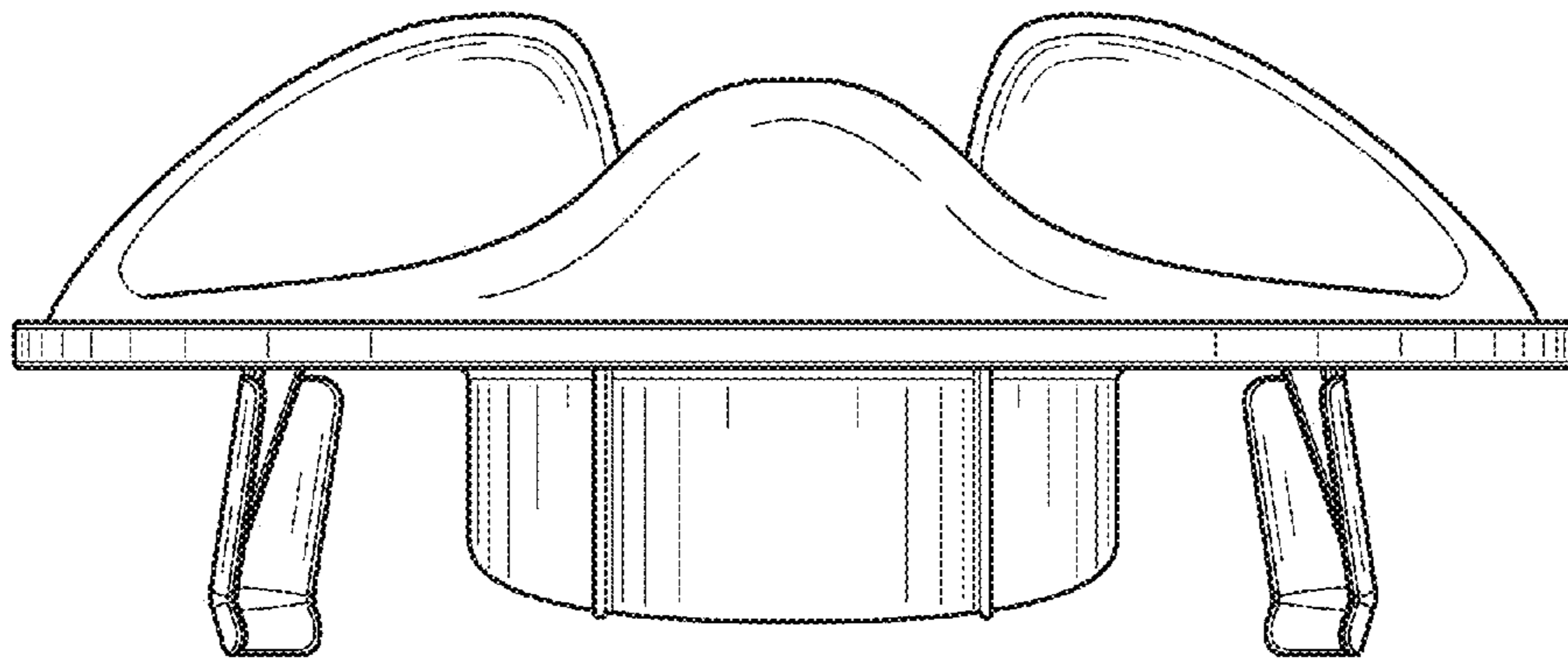


FIG. 5

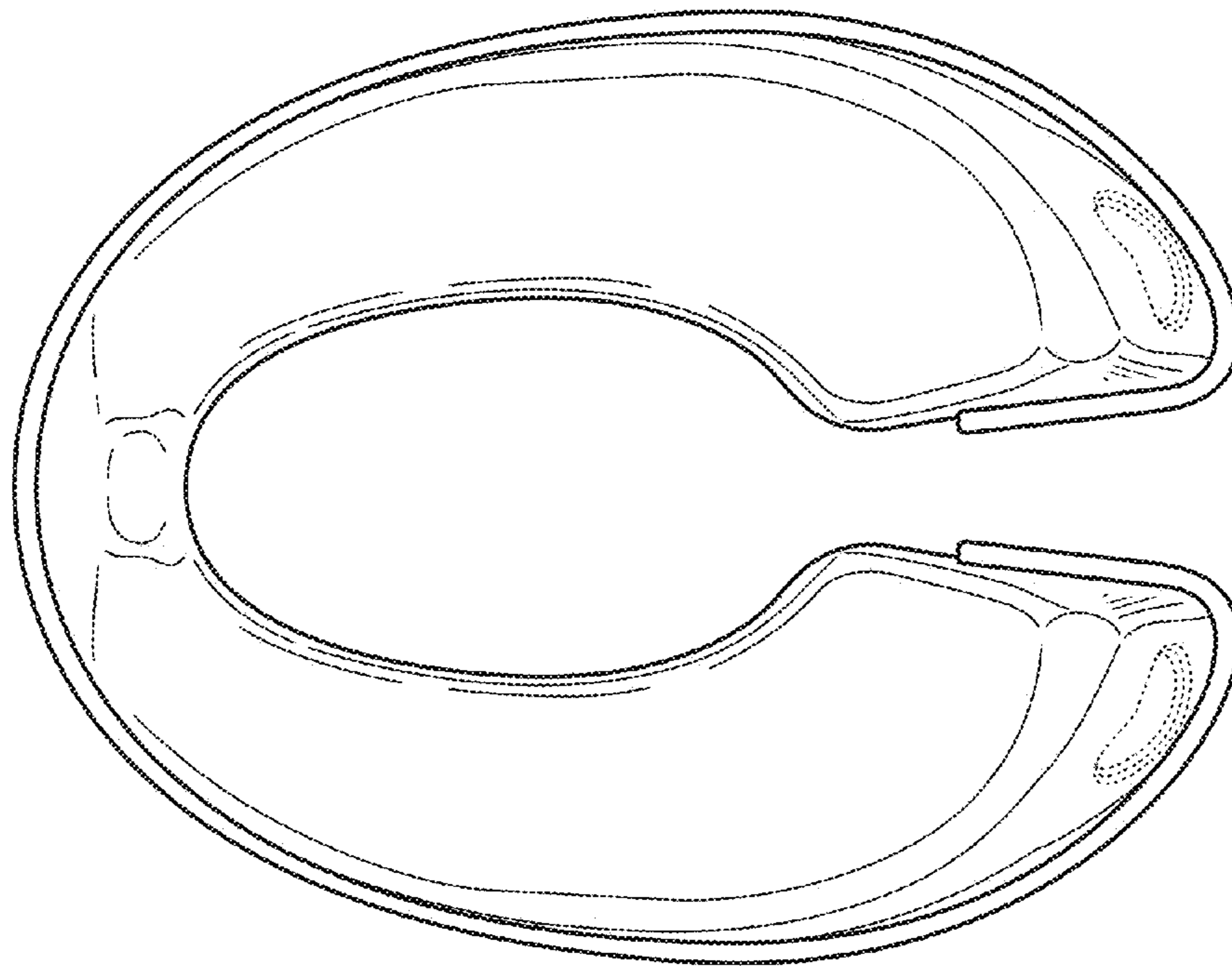


FIG. 6