



US00D697187S

(12) **United States Design Patent**
Spangler

(10) **Patent No.:** **US D697,187 S**
(45) **Date of Patent:** **** Jan. 7, 2014**

(54) **PEDESTAL SINK**

(56) **References Cited**

(71) Applicant: **Masco Corporation of Indiana,**
Indianapolis, IN (US)

U.S. PATENT DOCUMENTS

D408,507 S *	4/1999	Svendsen	D23/292
D434,124 S *	11/2000	McKeone	D23/284
D539,878 S *	4/2007	Hou	D23/293.1
D542,895 S *	5/2007	Dolan	D23/292
D635,230 S *	3/2011	Barry	D23/308

(72) Inventor: **Anthony Spangler,** Indianapolis, IN
(US)

* cited by examiner

(73) Assignee: **Masco Corporation of Indiana,**
Indianapolis, IN (US)

Primary Examiner — Robert Delehanty
(74) *Attorney, Agent, or Firm* — Edgar A. Zarins; Nirav D. Parikh

(**) Term: **14 Years**

(57) **CLAIM**
The ornamental design for a pedestal sink, as shown and described.

(21) Appl. No.: **29/457,551**

DESCRIPTION

(22) Filed: **Jun. 11, 2013**

FIG. 1 is a perspective view of a pedestal sink showing my new design;
FIG. 2 is a front elevational view thereof;
FIG. 3 is a top plan view thereof;
FIG. 4 is a bottom view thereof;
FIG. 5 is a rear view thereof; and,
FIG. 6 is a first side view thereof, the opposite side being a mirror image of the side shown.
The broken lines showing portions of the claimed design form no part thereof.

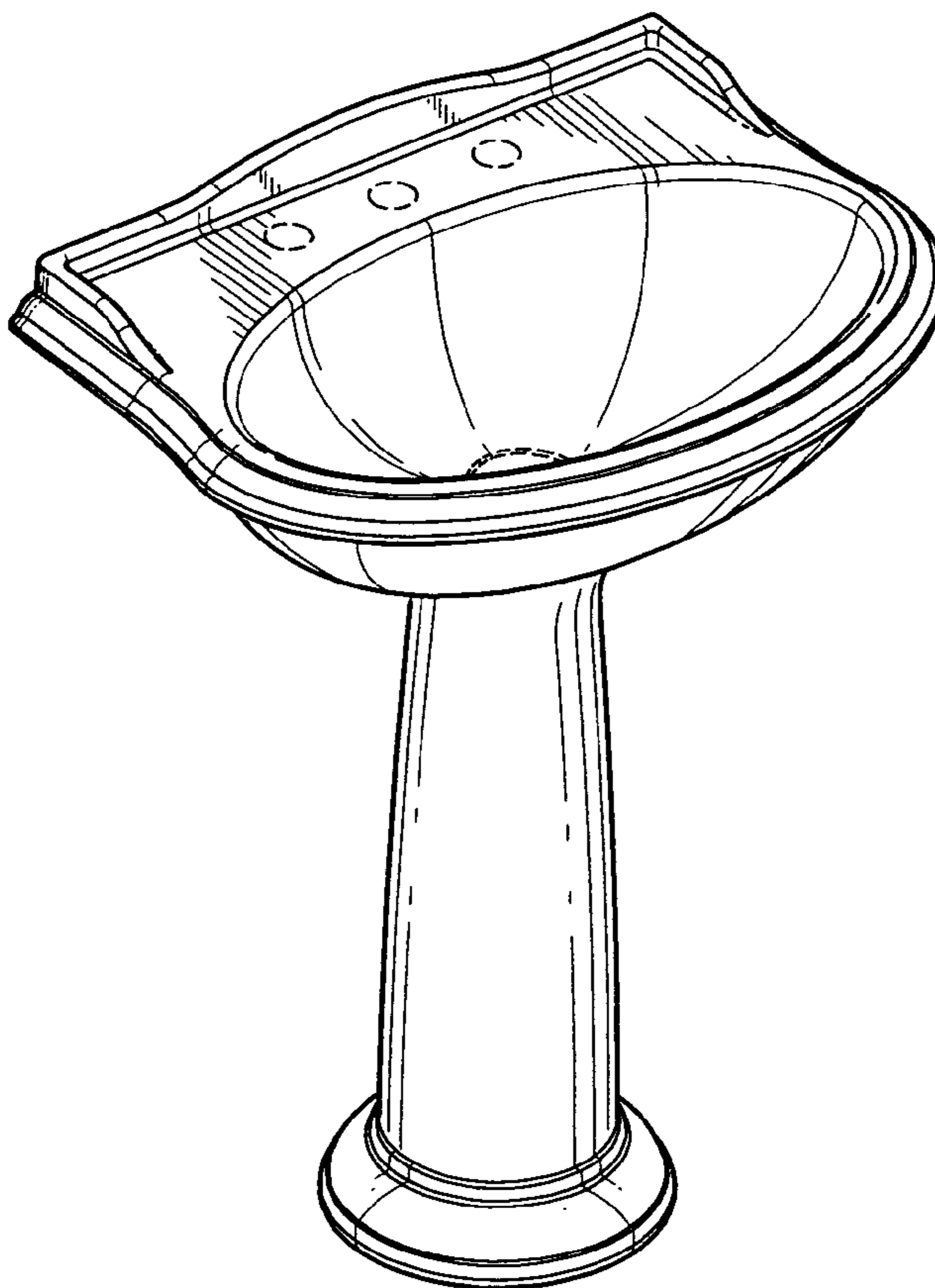
(51) **LOC (10) Cl.** **23-02**

(52) **U.S. Cl.**
USPC **D23/292**

(58) **Field of Classification Search**
USPC D23/284, 291–293.1, 303, 308; 4/619,
4/643, 646

See application file for complete search history.

1 Claim, 2 Drawing Sheets



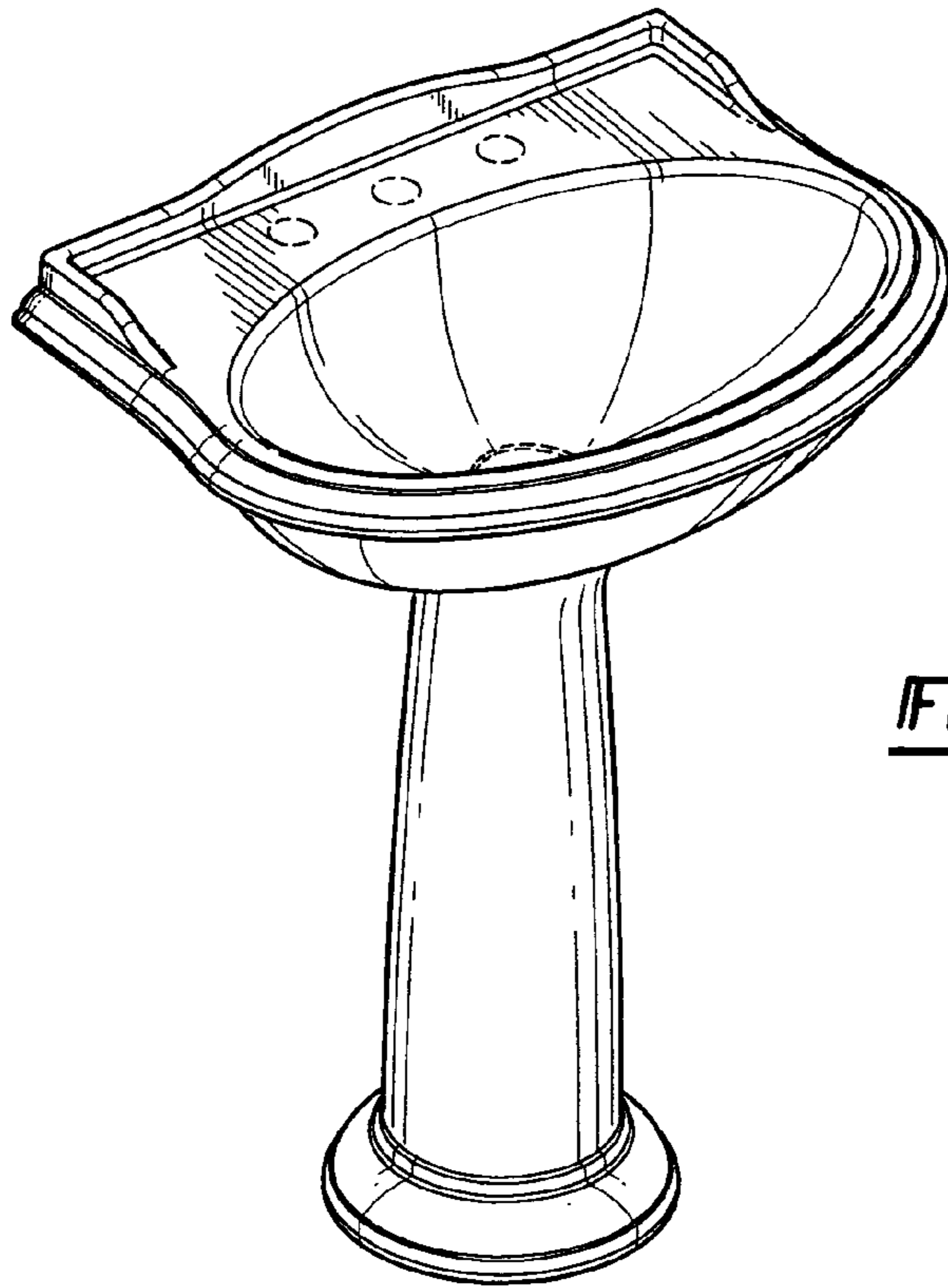


Fig-1

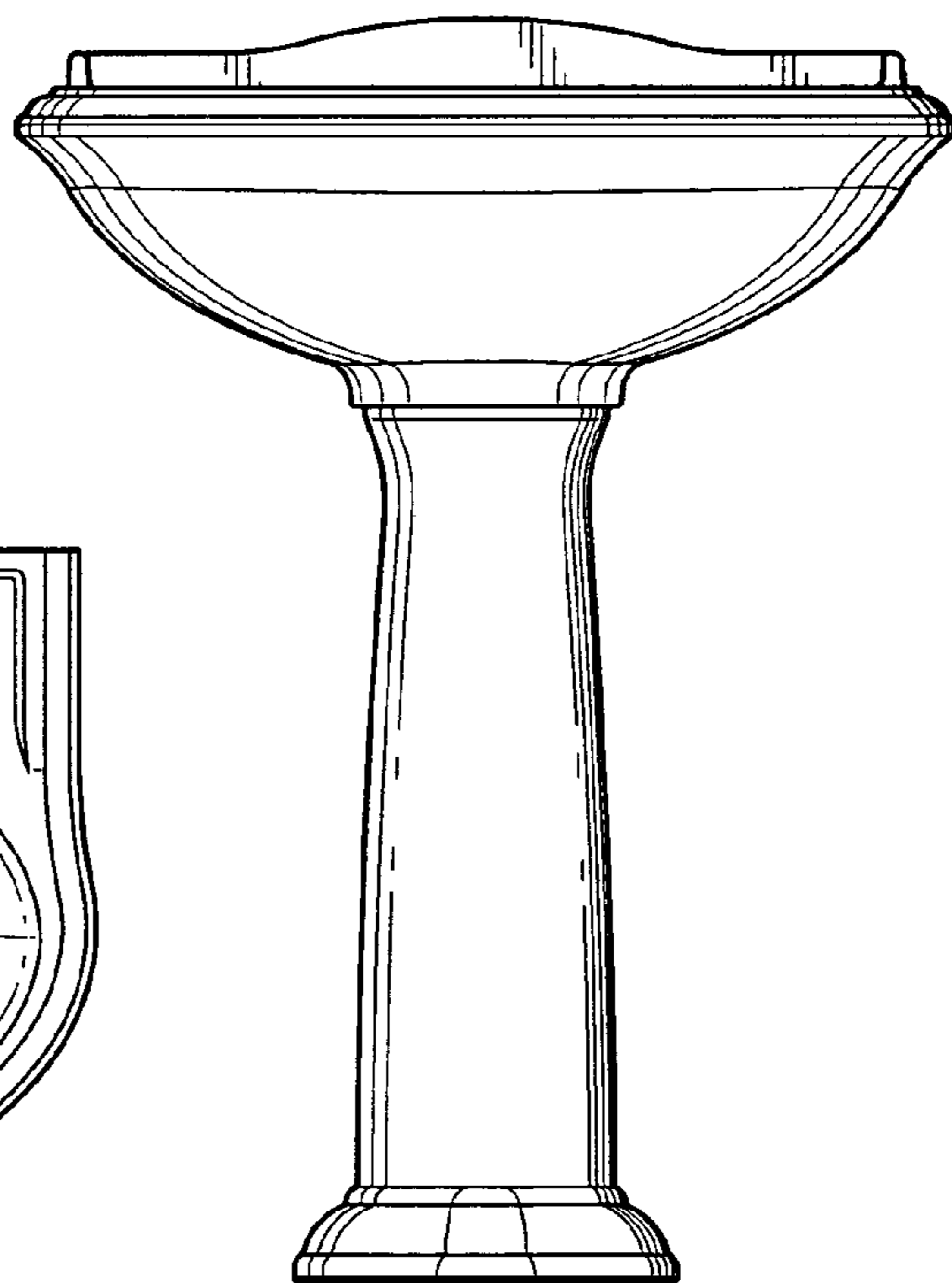


Fig-2

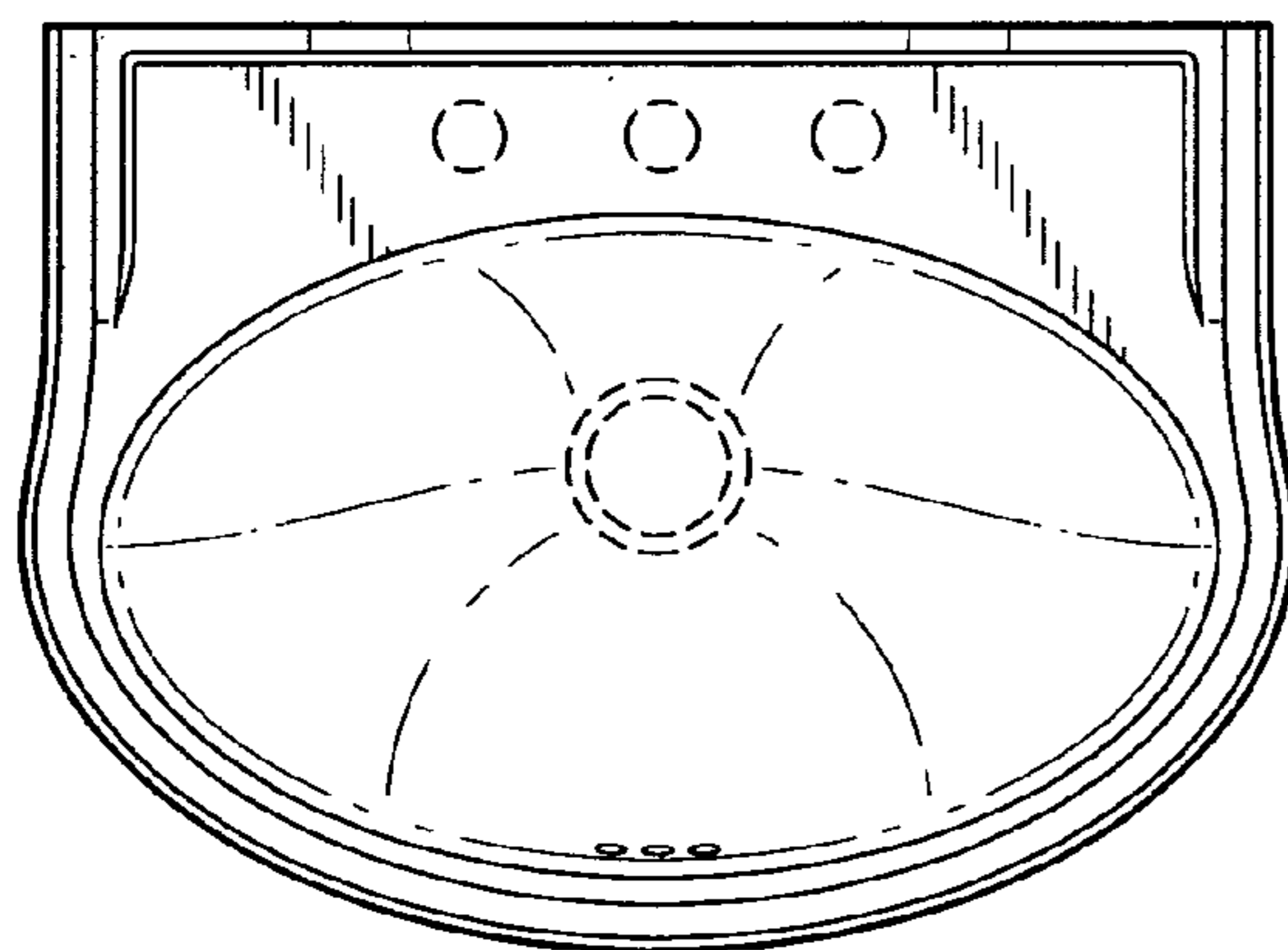


Fig-3

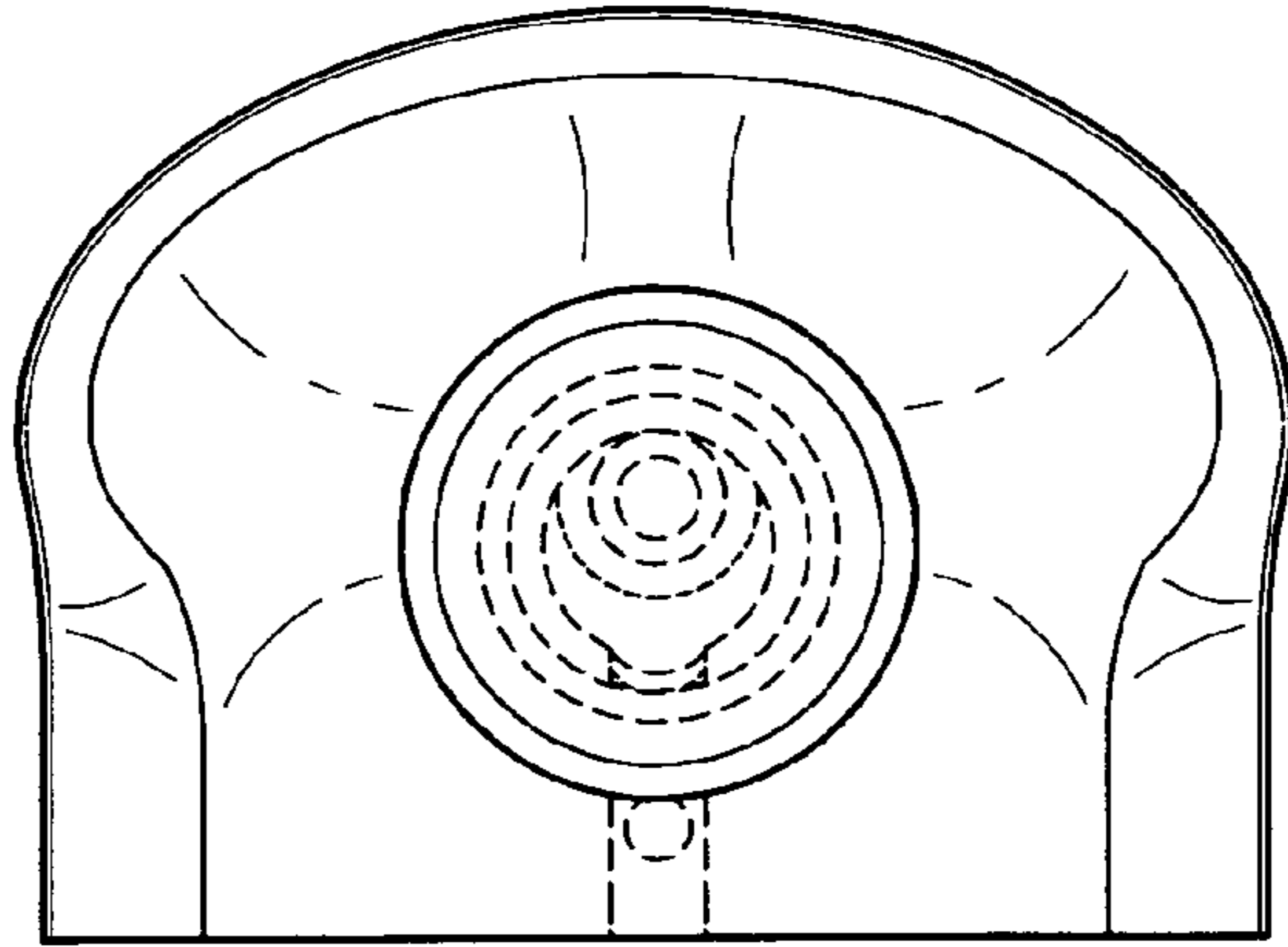


Fig-4

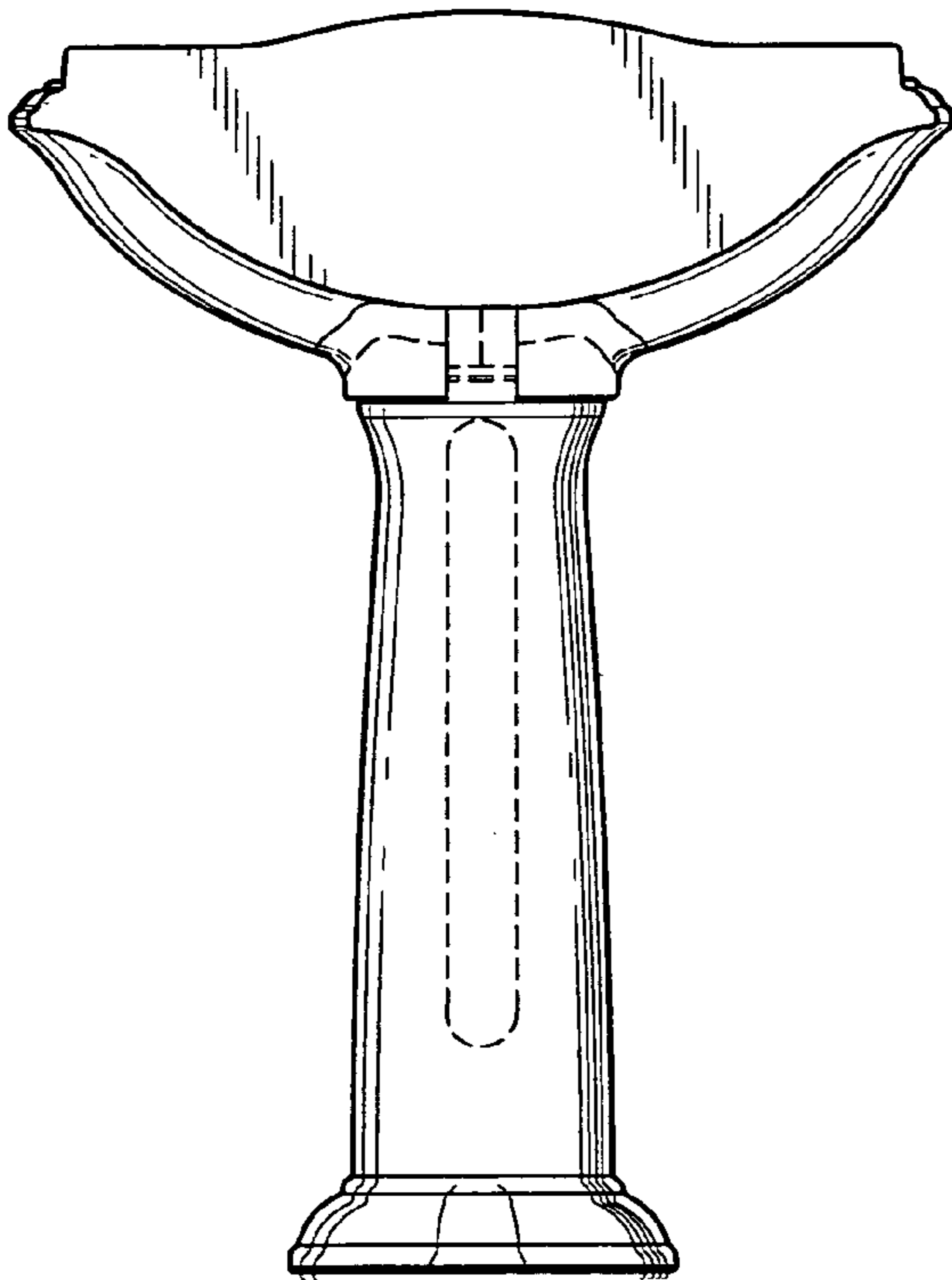


Fig-5

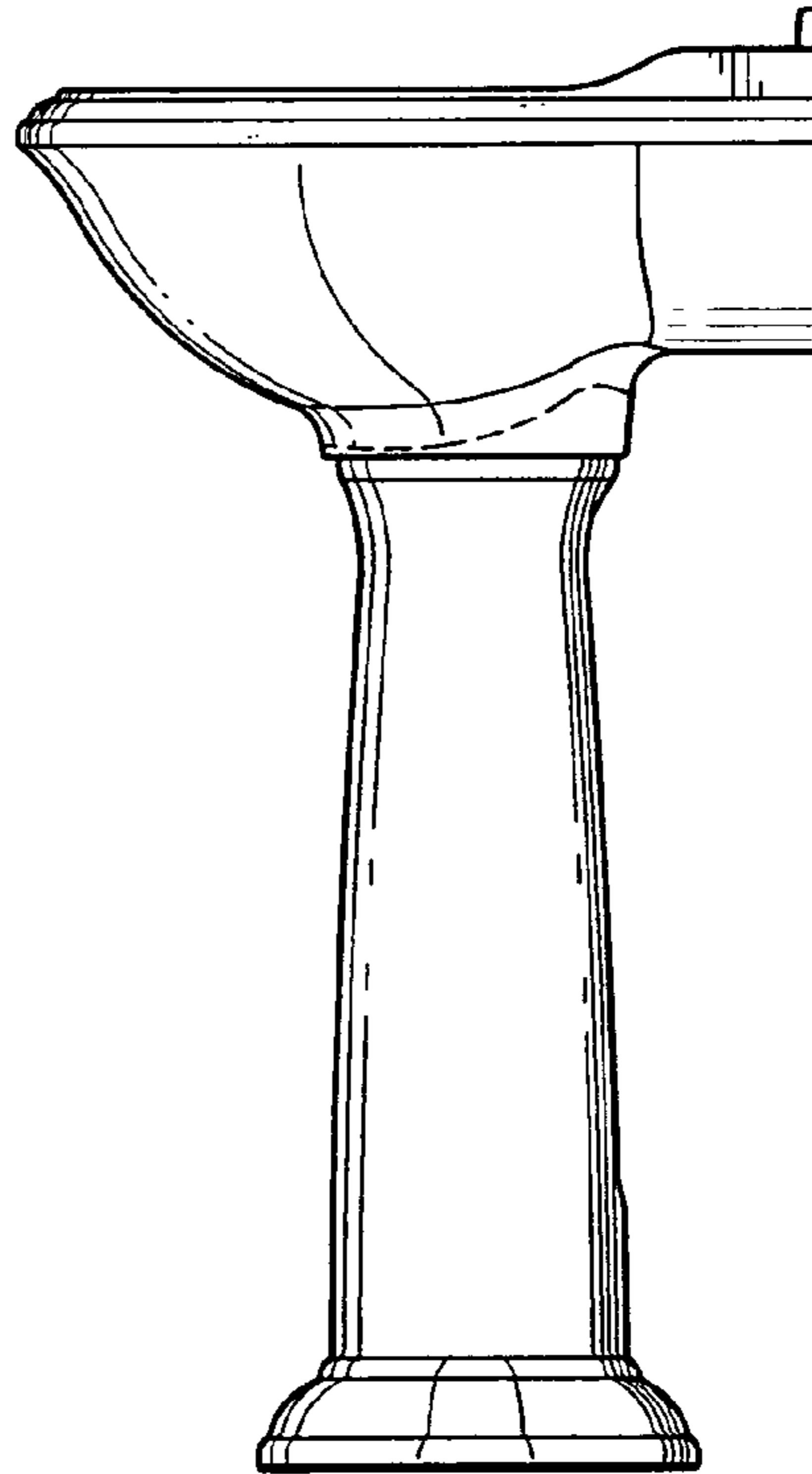


Fig-6