



US00D697186S

(12) **United States Design Patent**  
**Spangler**

(10) **Patent No.:** **US D697,186 S**

(45) **Date of Patent:** **\*\* Jan. 7, 2014**

(54) **PEDESTAL SINK**

(56) **References Cited**

(71) Applicant: **Masco Corporation of Indiana,**  
Indianapolis, IN (US)

U.S. PATENT DOCUMENTS

D328,338 S \* 7/1992 Ragonot ..... D23/284  
D472,617 S \* 4/2003 Lanius ..... D23/292  
D546,427 S \* 7/2007 Dolan ..... D23/292

(72) Inventor: **Anthony Spangler,** Indianapolis, IN  
(US)

\* cited by examiner

(73) Assignee: **Masco Corporation of Indiana,**  
Indianapolis, IN (US)

*Primary Examiner* — Robert Delehanty  
(74) *Attorney, Agent, or Firm* — Edgar A. Zarins; Nirav D. Parikh

(\*\*) Term: **14 Years**

(57) **CLAIM**  
The ornamental design for a pedestal sink, as shown and described.

(21) Appl. No.: **29/457,402**

**DESCRIPTION**

(22) Filed: **Jun. 10, 2013**

(51) **LOC (10) Cl.** ..... **23-02**

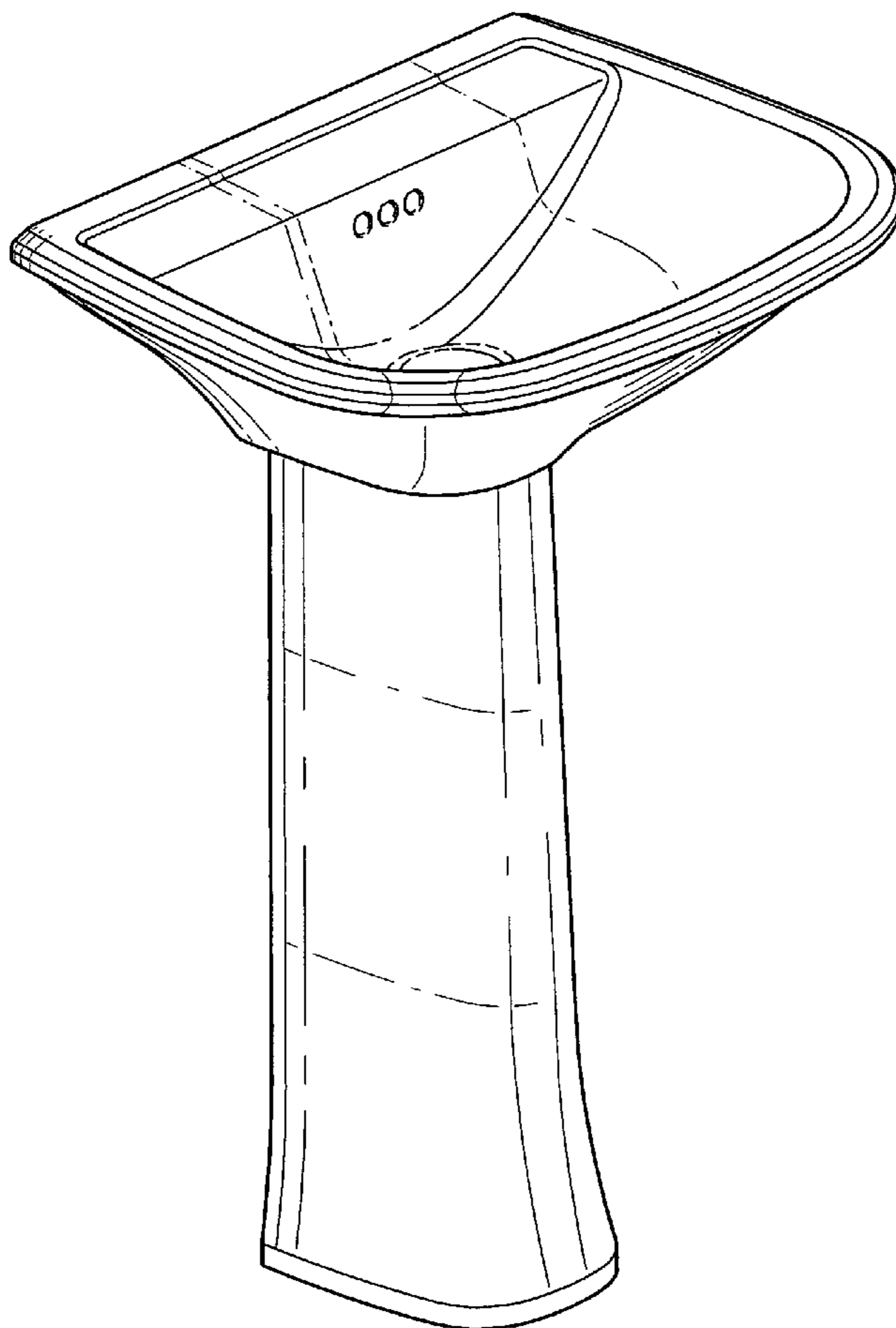
(52) **U.S. Cl.**  
USPC ..... **D23/292**

(58) **Field of Classification Search**  
USPC ..... D23/284, 291–293.1, 303, 308; 4/619,  
4/643, 646

FIG. 1 is a perspective view of a pedestal sink showing my new design;  
FIG. 2 is a top plan view thereof;  
FIG. 3 is a front elevational view thereof;  
FIG. 4 is a rear view thereof;  
FIG. 5 is a right side view thereof;  
FIG. 6 is a left side view thereof; and,  
FIG. 7 is a bottom view thereof.

See application file for complete search history.

**1 Claim, 3 Drawing Sheets**



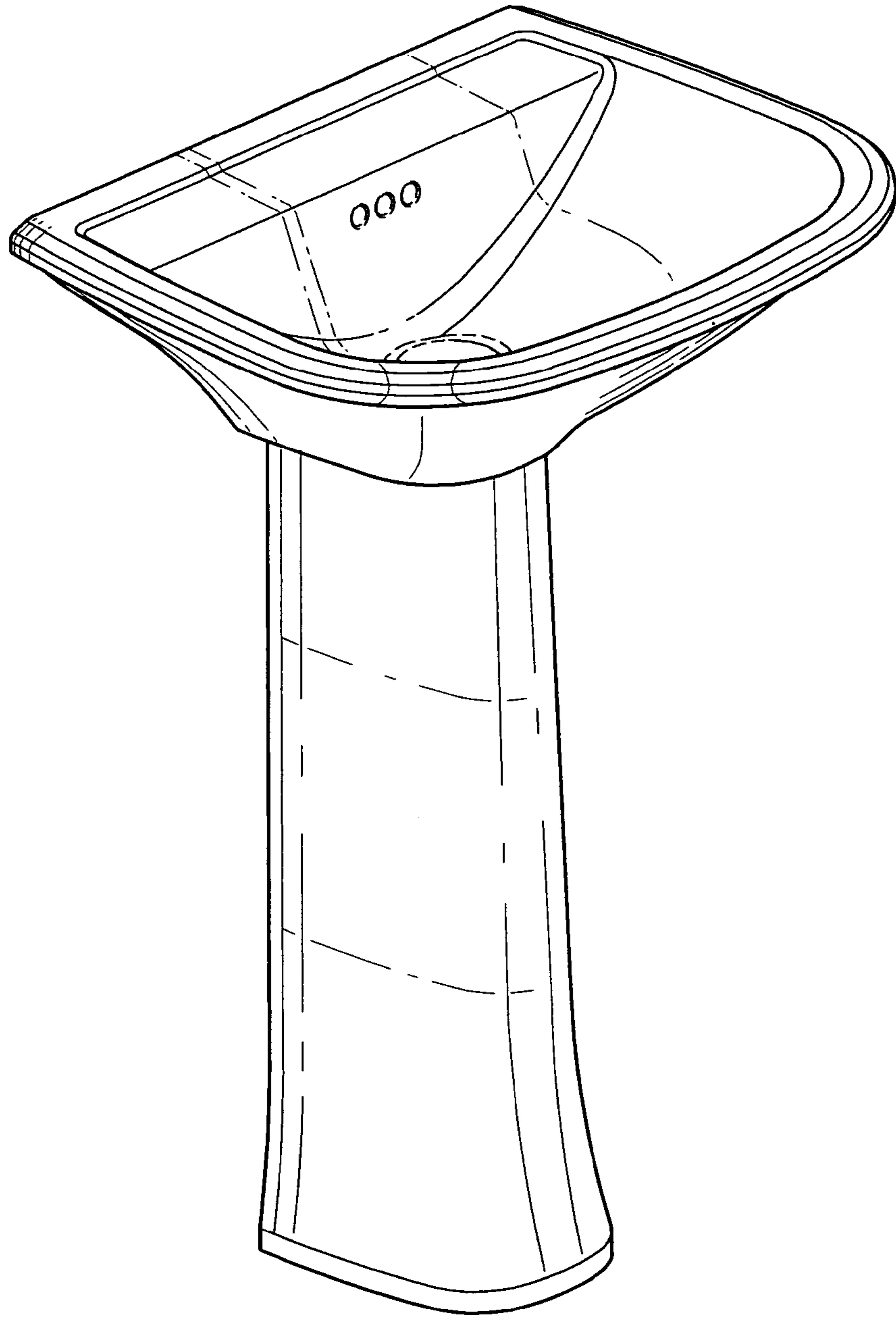


Fig-1

Fig-2

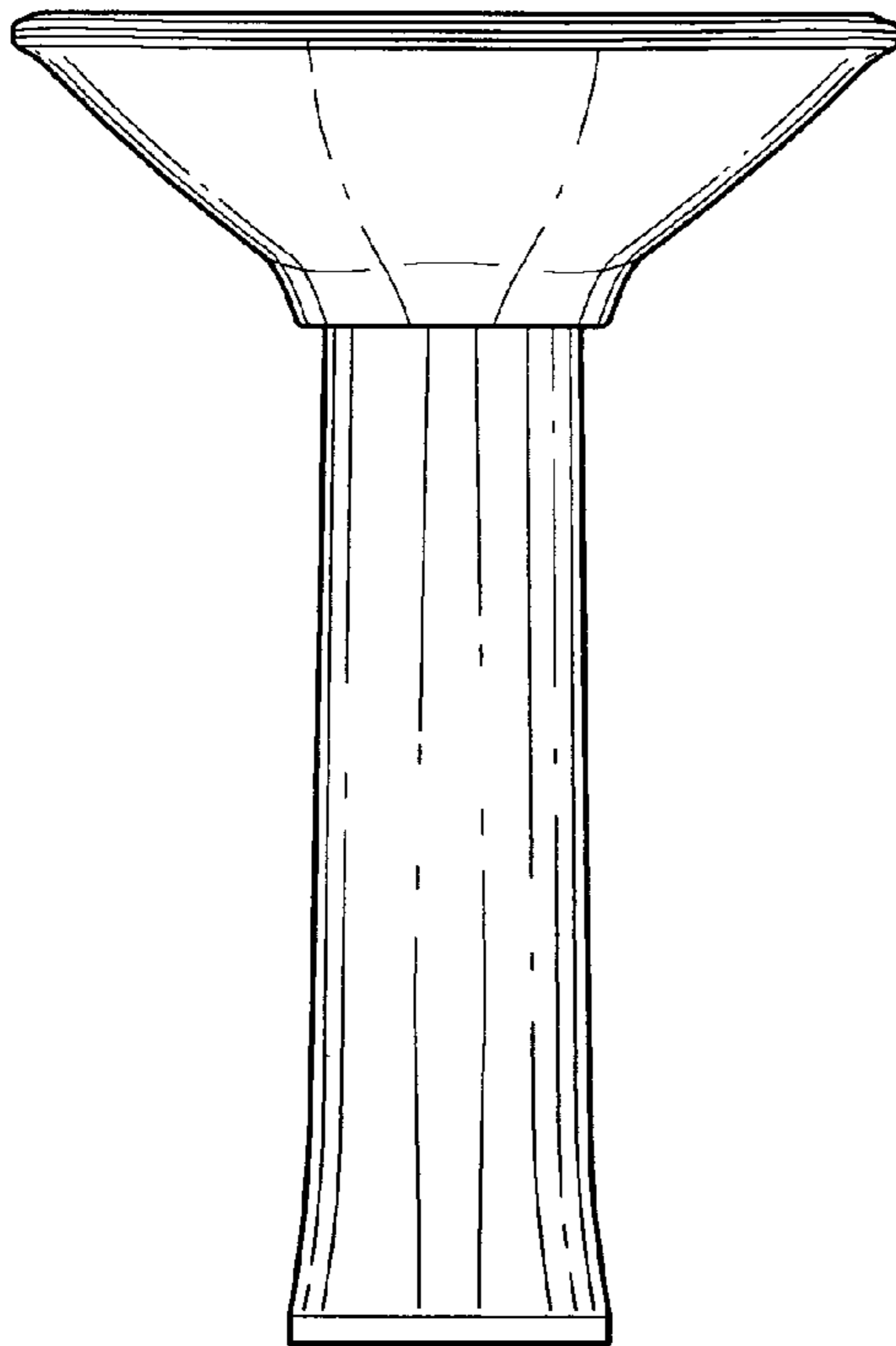
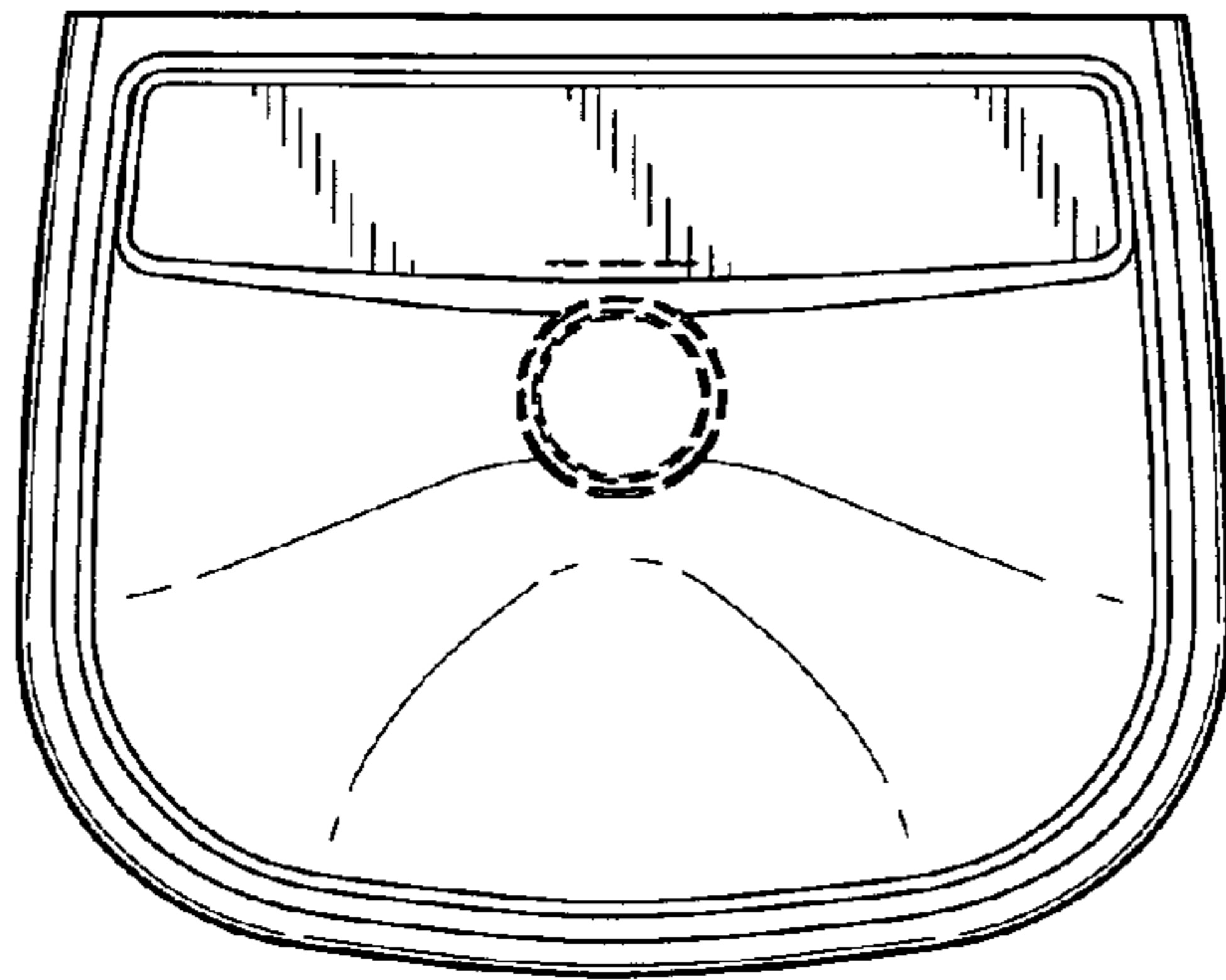


Fig-3

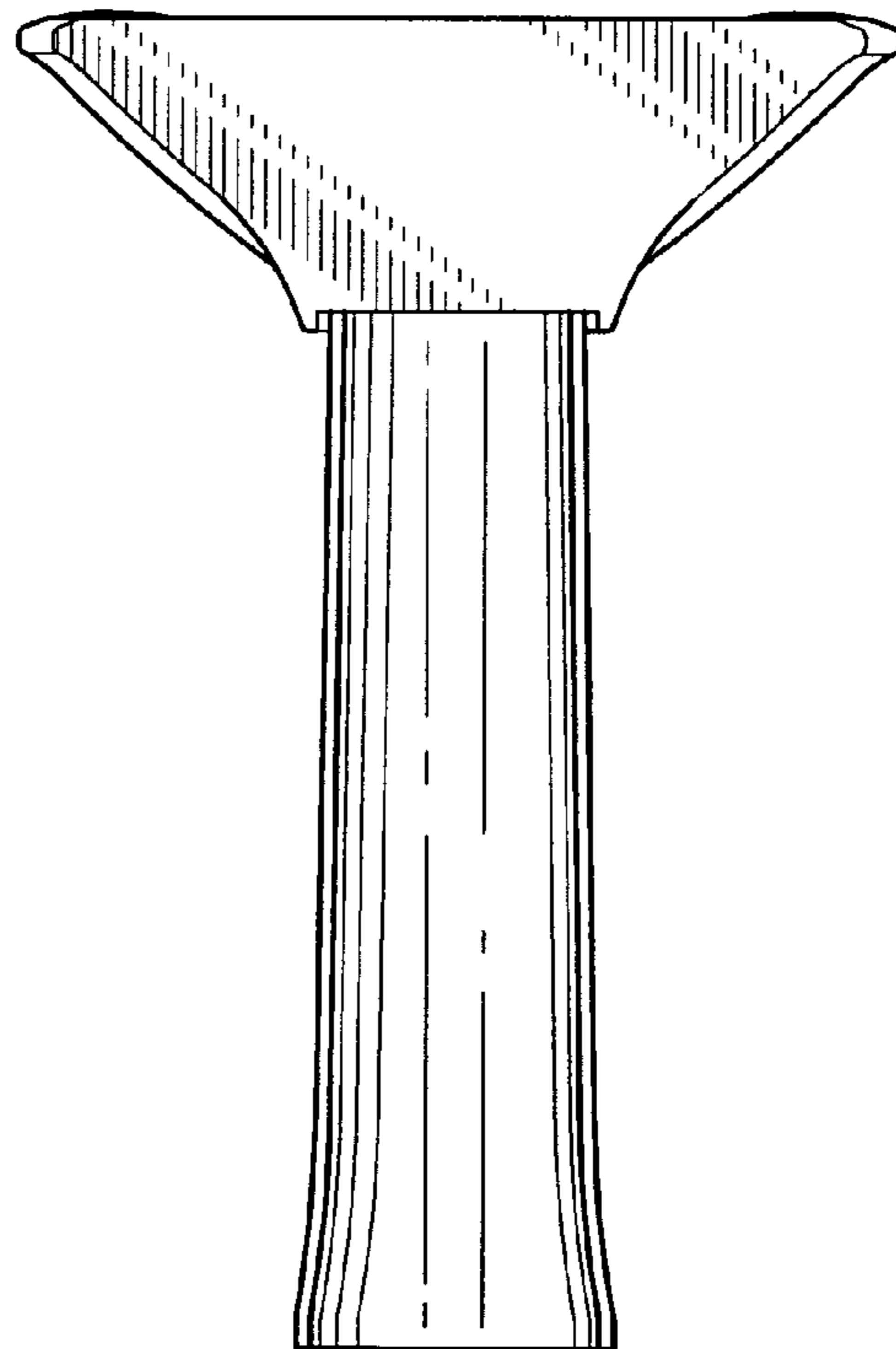


Fig-4

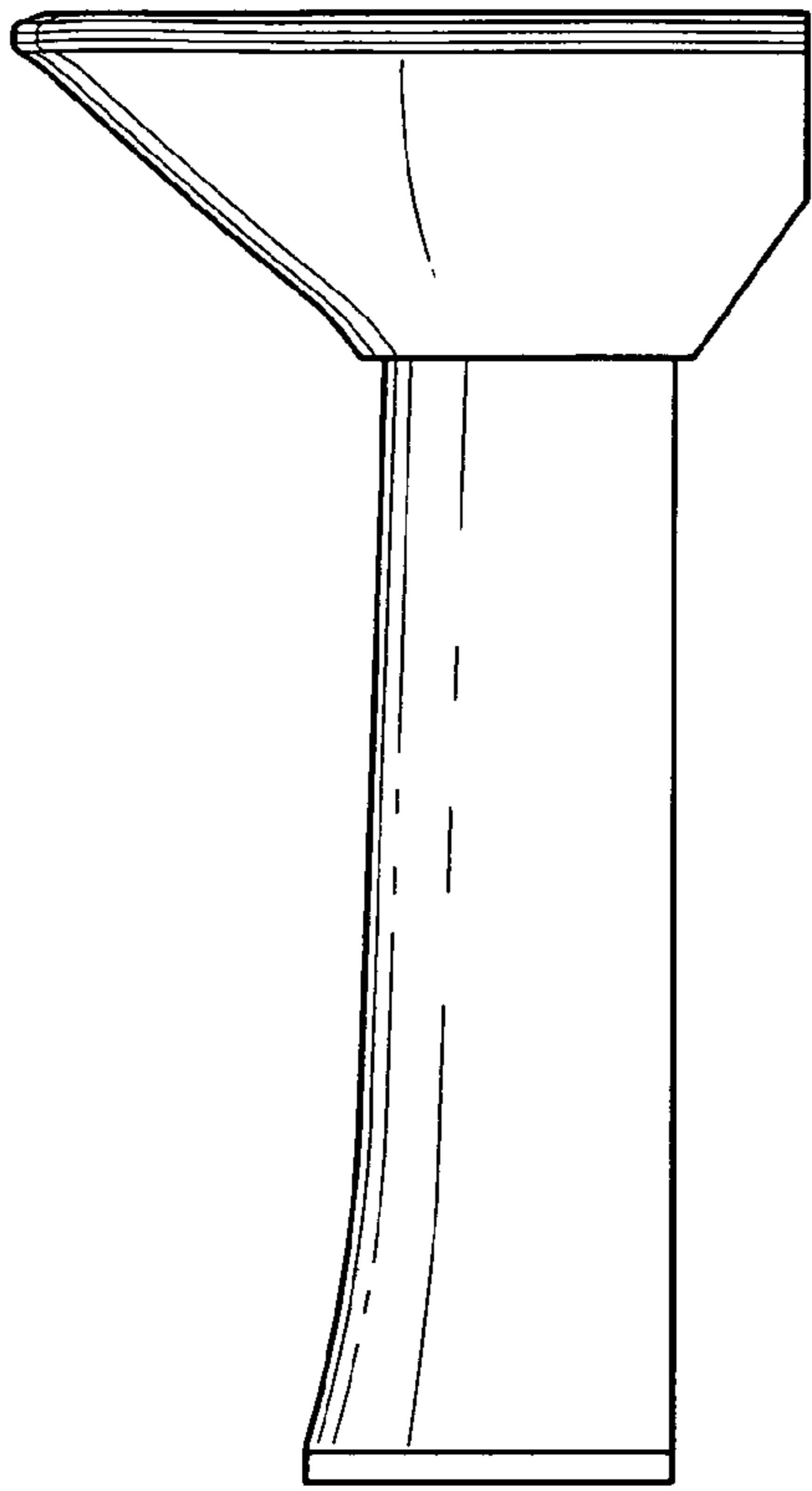


Fig-5

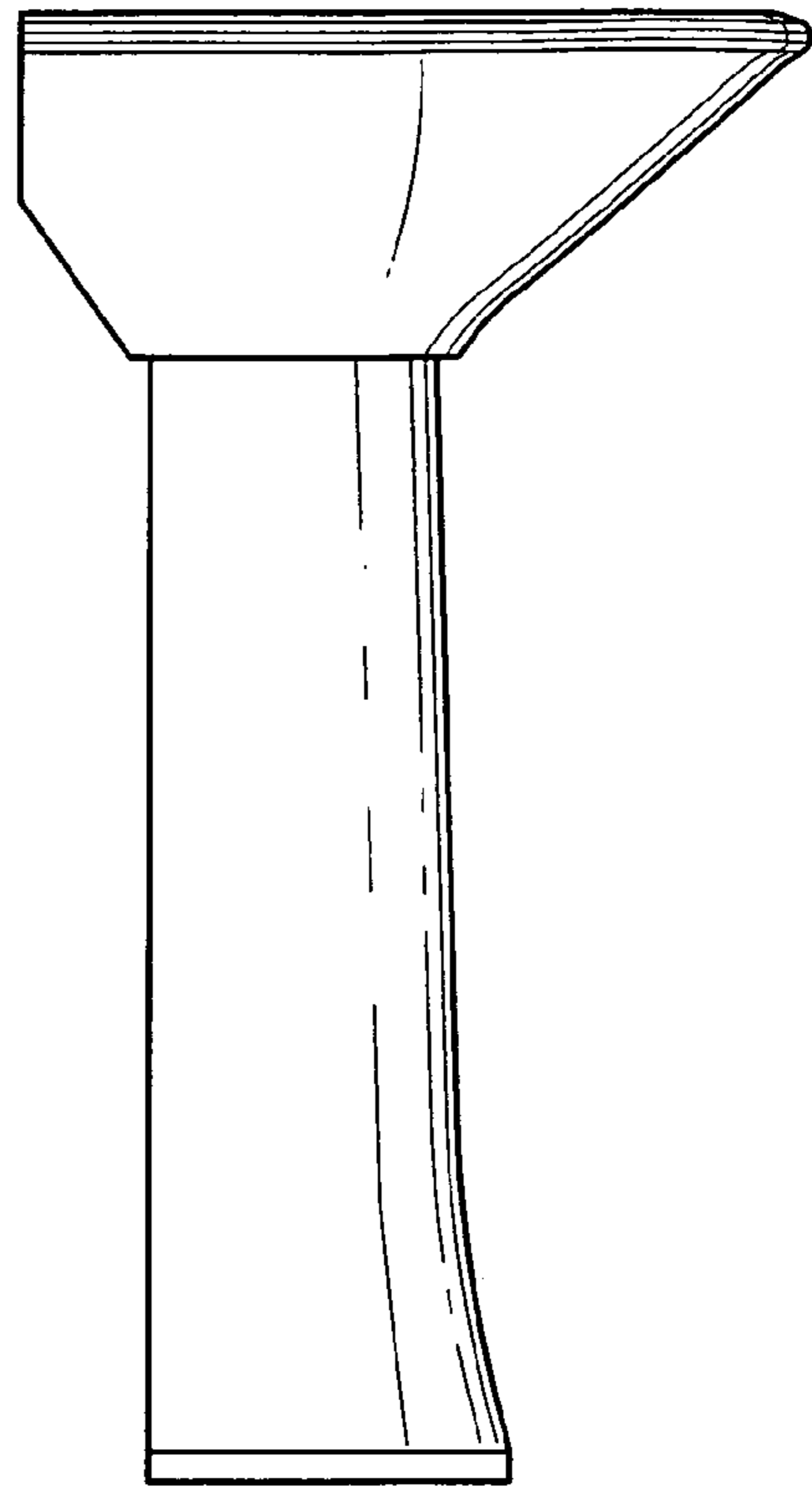


Fig-6

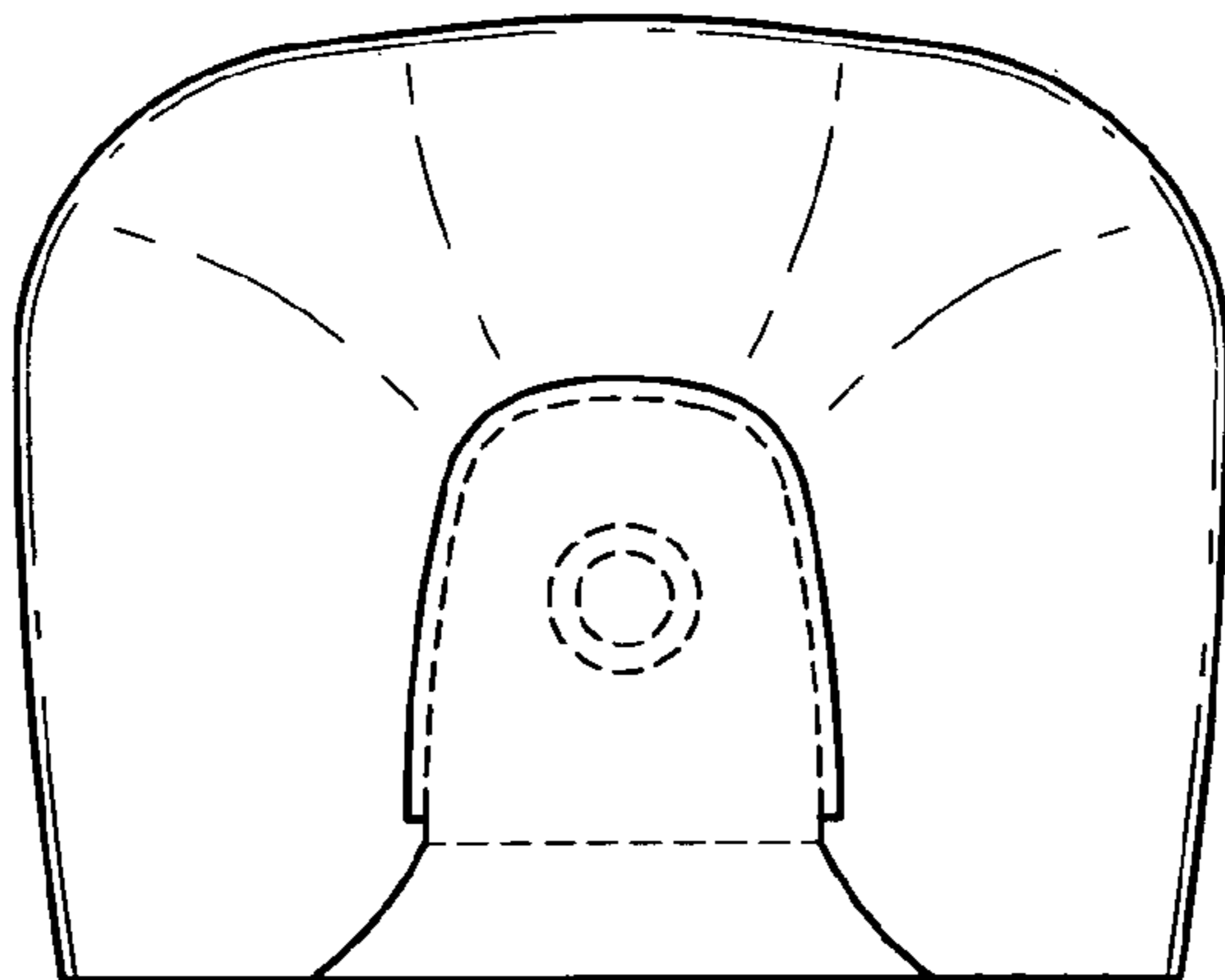


Fig-7