



US00D697185S

(12) **United States Design Patent**
Spangler

(10) **Patent No.:** **US D697,185 S**
(45) **Date of Patent:** **** Jan. 7, 2014**

(54) **SINK**

(71) Applicant: **Masco Corporation of Indiana,**
Indianapolis, IN (US)
(72) Inventor: **Anthony Spangler,** Indianapolis, IN
(US)
(73) Assignee: **Masco Corporation of Indiana,**
Indianapolis, IN (US)
(**) Term: **14 Years**

(21) Appl. No.: **29/456,710**

(22) Filed: **Jun. 3, 2013**

(51) **LOC (10) Cl.** **23-02**

(52) **U.S. Cl.**
USPC **D23/292**

(58) **Field of Classification Search**
USPC D23/284, 286, 291-293.1, 303, 308;
4/619, 643, 650, 652, 689
See application file for complete search history.

(56) **References Cited**

U.S. PATENT DOCUMENTS

D415,261 S * 10/1999 Thomas D23/284
D500,843 S * 1/2005 Takou D23/292
D538,905 S * 3/2007 Wano D23/293.1

* cited by examiner

Primary Examiner — Robert Delehanty

(74) *Attorney, Agent, or Firm* — Edgar A. Zarins; Nirav D. Parikh

(57) **CLAIM**

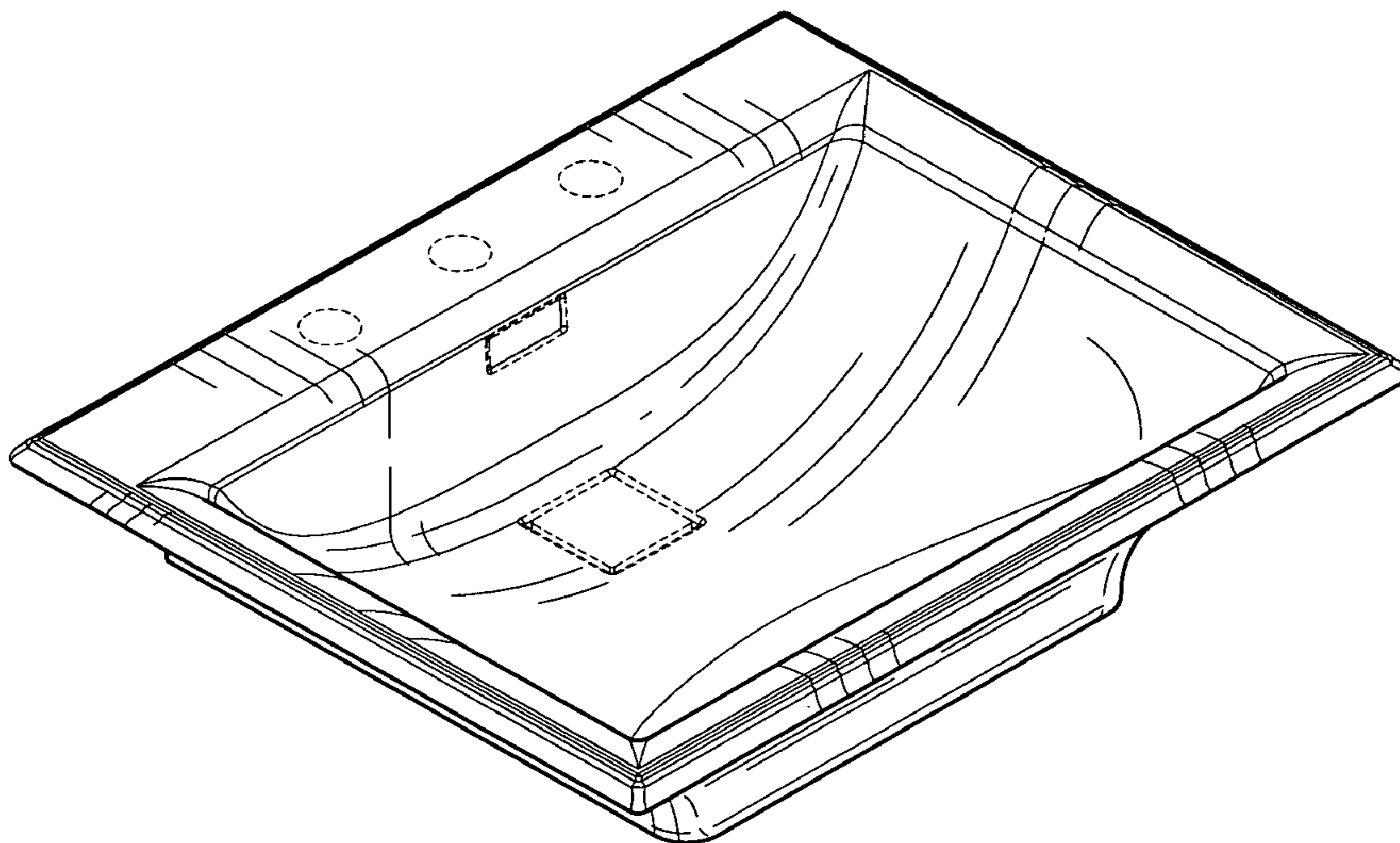
The ornamental design for a sink, as shown and described.

DESCRIPTION

FIG. 1 is a perspective view of a sink showing my new design;
FIG. 2 is a rear perspective thereof;
FIG. 3 is a front elevational view thereof;
FIG. 4 is a left side view thereof;
FIG. 5 is a right side view thereof;
FIG. 6 is a top plan view thereof; and,
FIG. 7 is a bottom view thereof.

The broken lines showing portions of the claimed design form no part thereof.

1 Claim, 3 Drawing Sheets



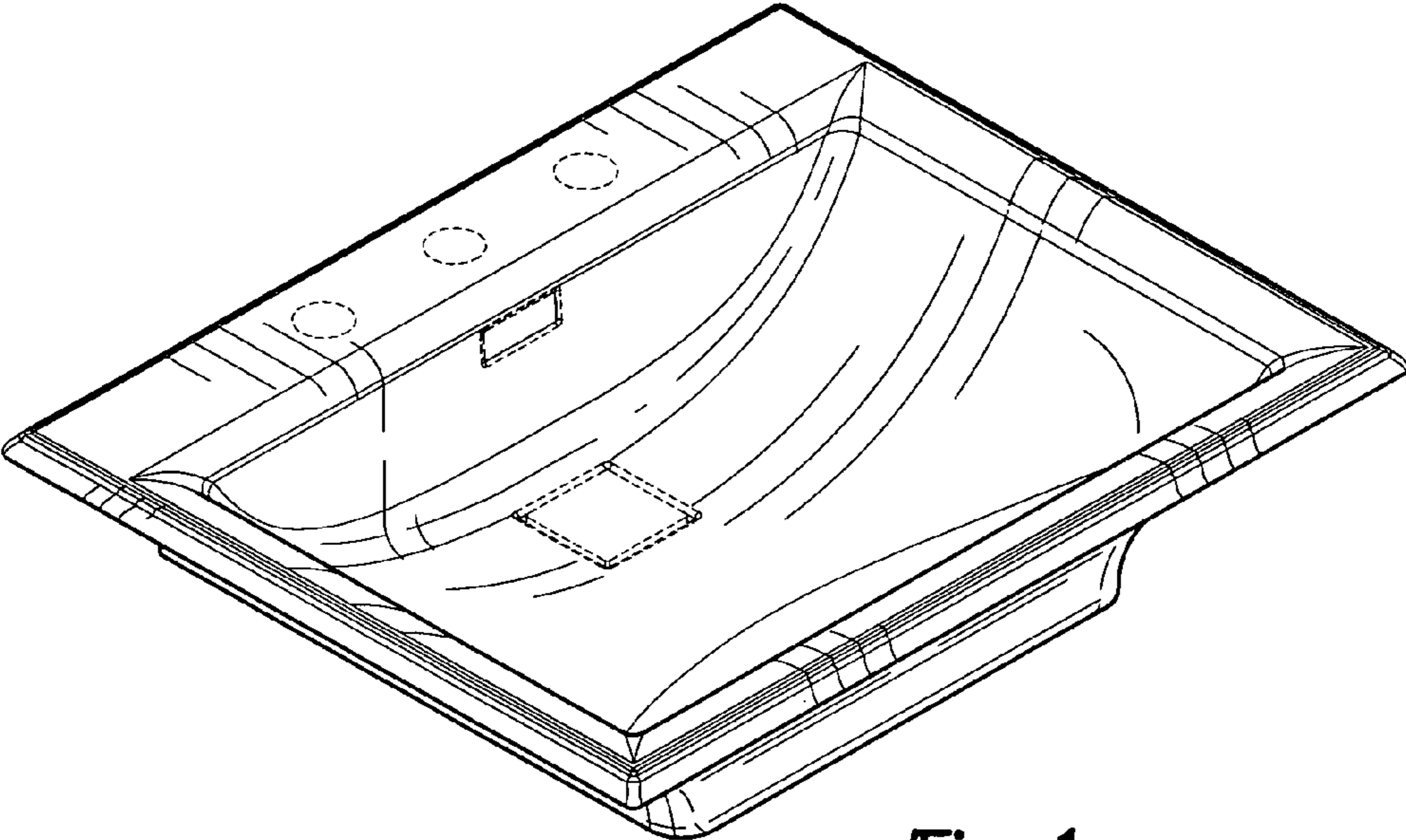


Fig-1

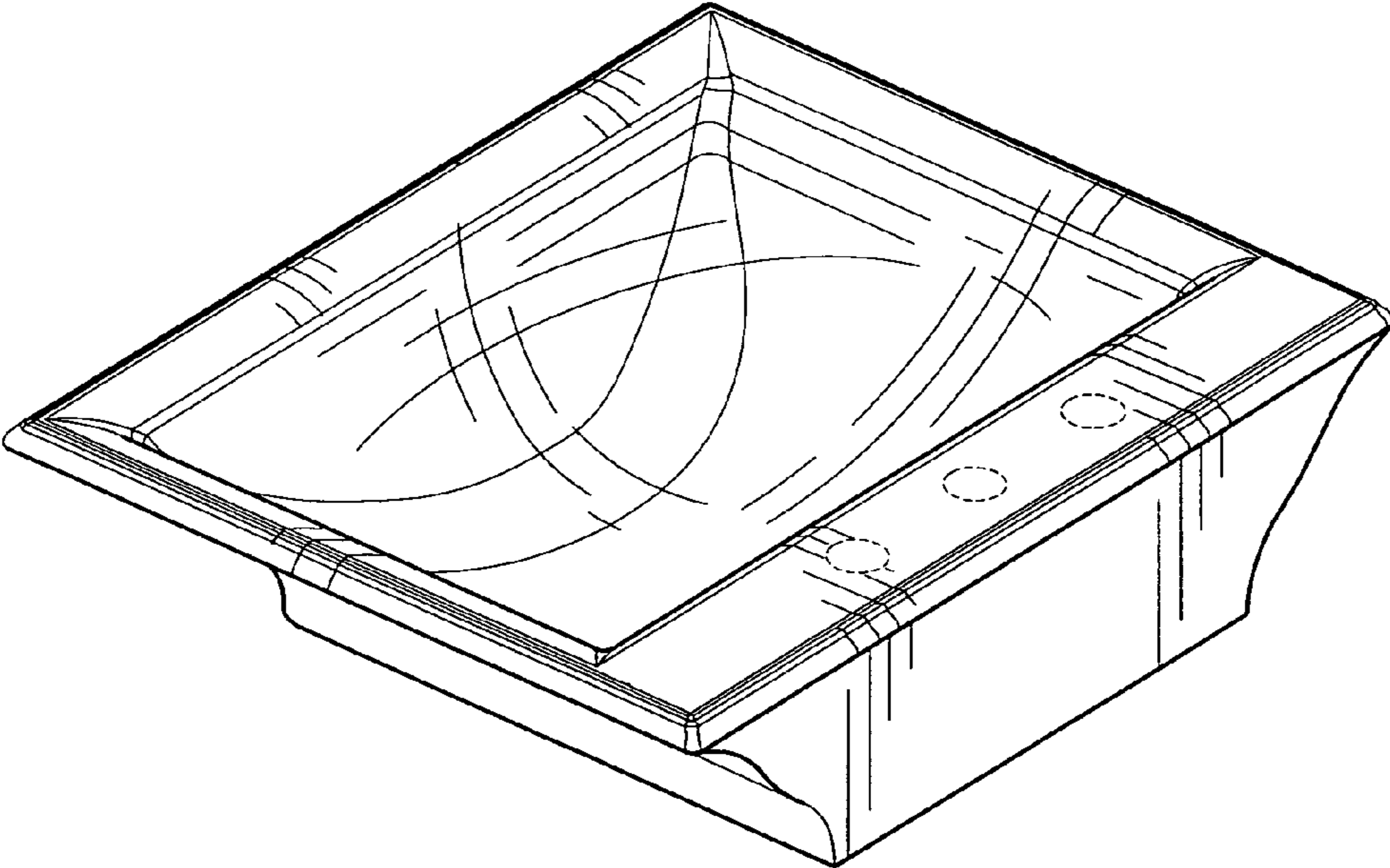


Fig-2

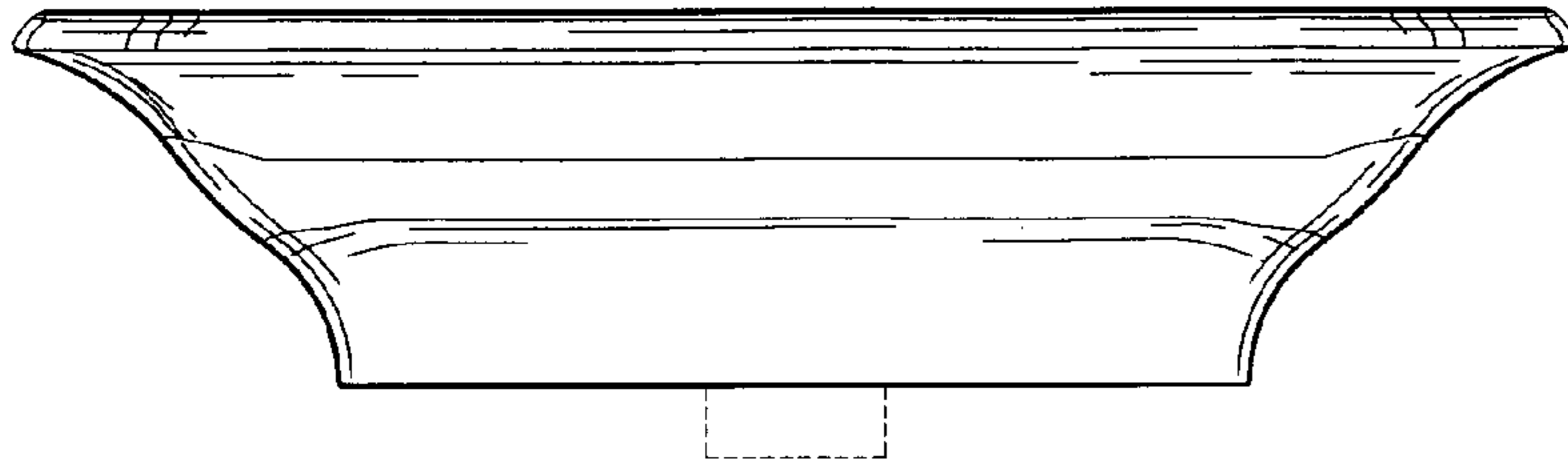


Fig-3

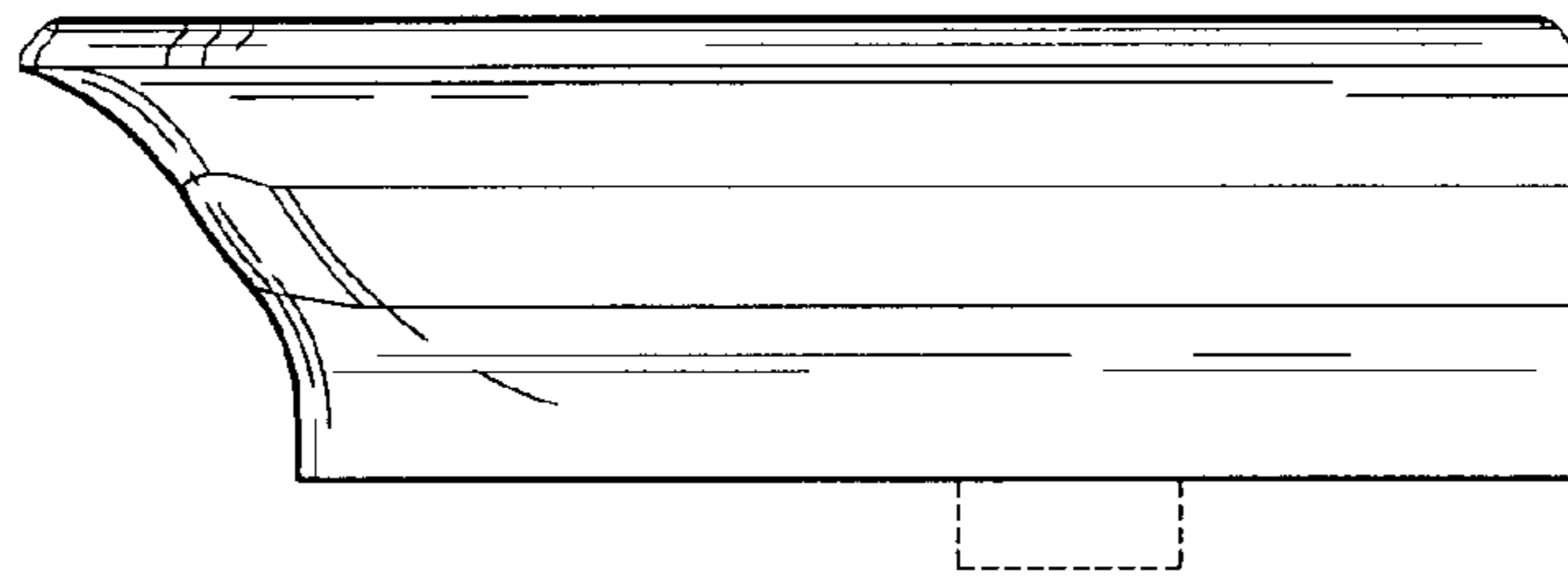


Fig-4

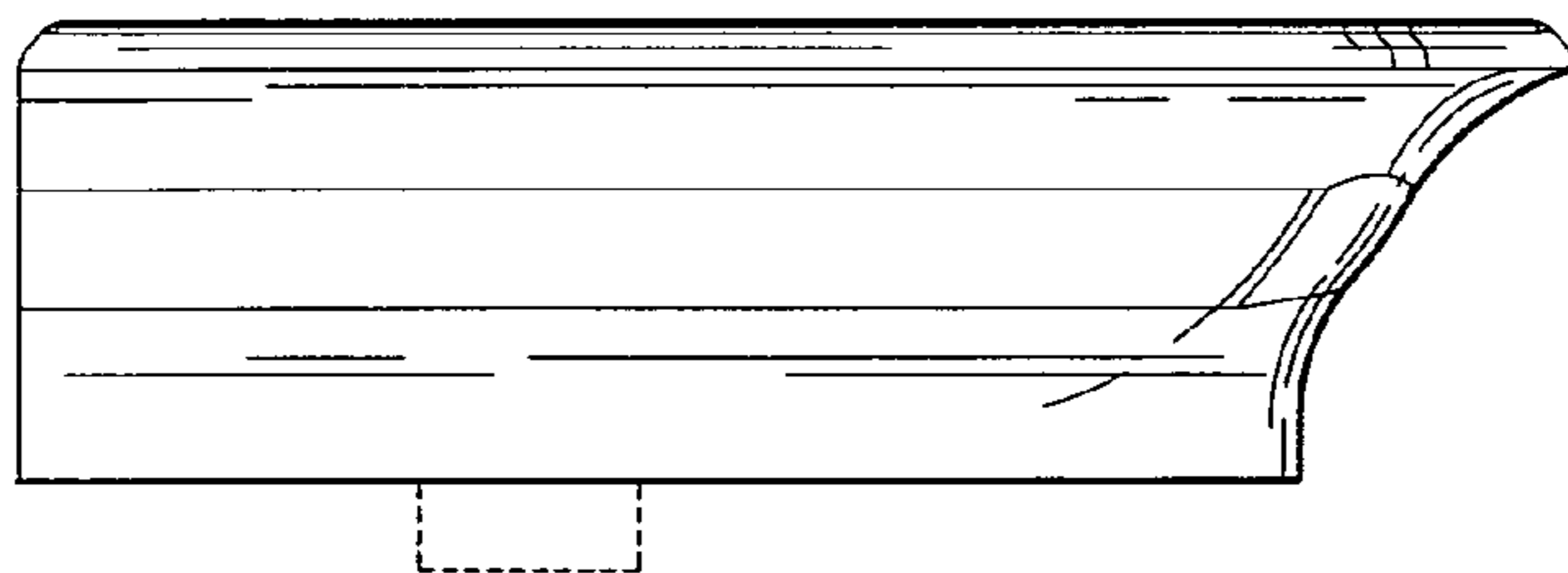


Fig-5

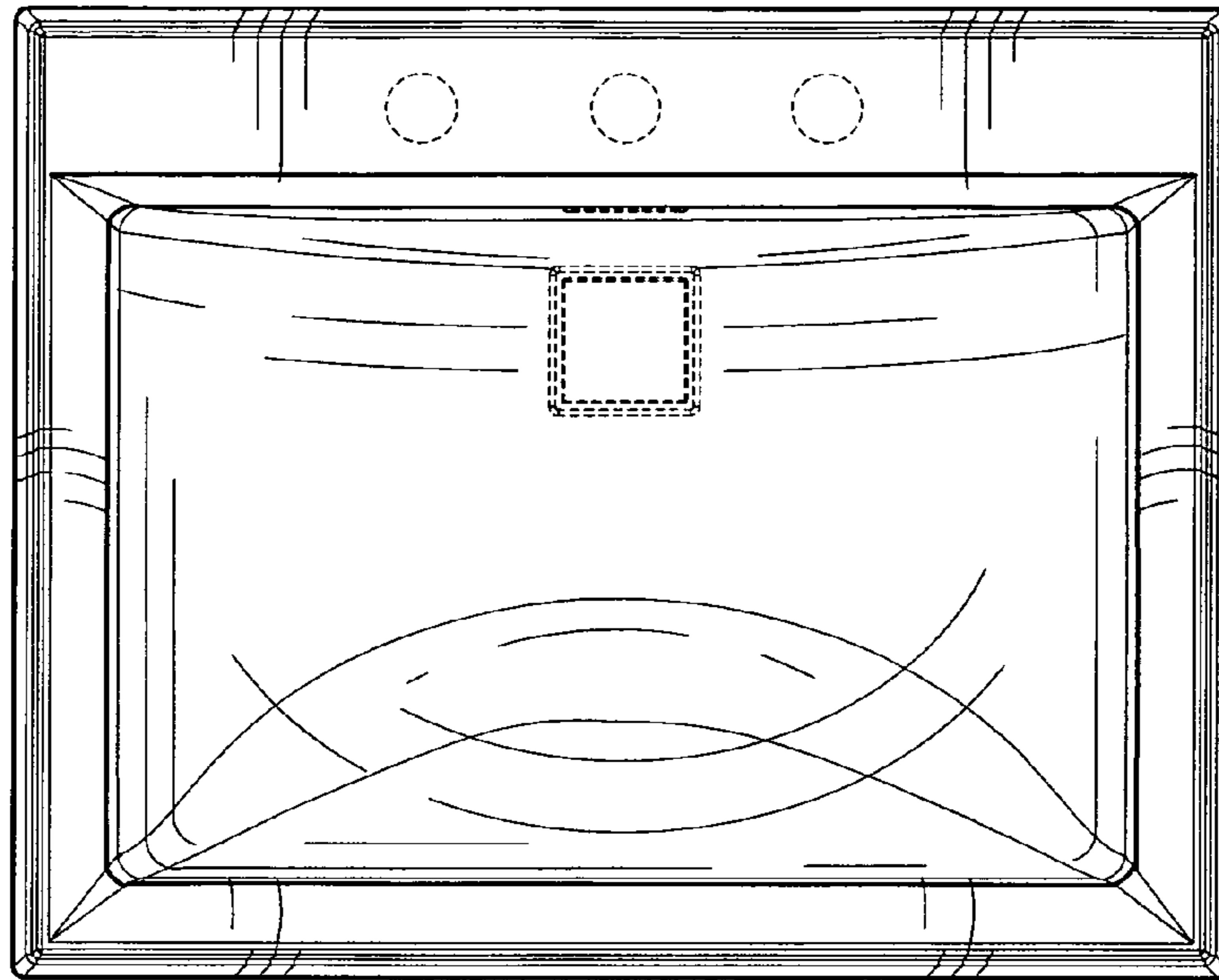


Fig-6

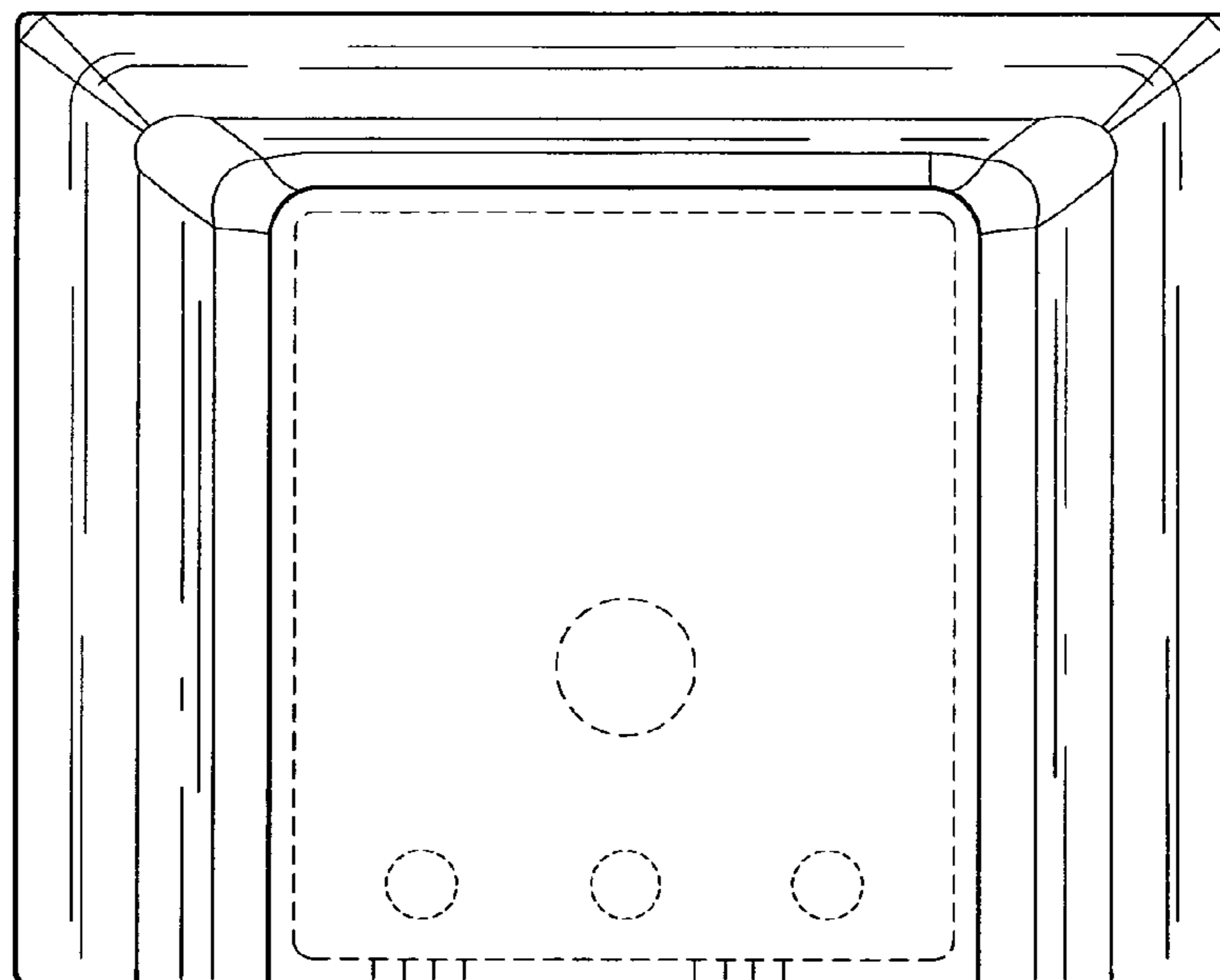


Fig-7