

US00D697183S

(12) **United States Design Patent**  
**Sital et al.**

(10) **Patent No.:** **US D697,183 S**  
(45) **Date of Patent:** **\*\* Jan. 7, 2014**

(54) **WALK IN BATHTUB**

(56) **References Cited**

(75) Inventors: **Addiel Sital**, Keller, TX (US); **Alison Lyons**, Morristown, NJ (US)

U.S. PATENT DOCUMENTS

D355,245 S \* 2/1995 Sills et al. .... D23/279  
5,446,929 A \* 9/1995 Sills et al. .... 4/555  
5,701,614 A \* 12/1997 Appleford et al. .... 4/555

(73) Assignee: **Safety Tubs Company, L.L.C.**,  
Piscataway, NJ (US)

\* cited by examiner

*Primary Examiner* — Robert Delehanty  
(74) *Attorney, Agent, or Firm* — Flaster/Greenberg P.C.

(\*\*) Term: **14 Years**

(57) **CLAIM**

The ornamental design for a walk in bathtub, as shown and described.

(21) Appl. No.: **29/432,269**

**DESCRIPTION**

(22) Filed: **Sep. 14, 2012**

Fig. 1 is a front elevational view of a walk in bathtub with a door removed;  
FIG. 2 is a perspective view of the walk in bathtub of FIG. 1;  
FIG. 3 is an isometric view of the walk in bathtub of FIG. 1;  
FIG. 4 is a front elevational view of a walk in bathtub with a door attached;  
FIG. 5 is a perspective view of the walk in bathtub of FIG. 4;  
FIG. 6 is a top plan view of the walk in bathtub of FIG. 4; and,  
FIG. 7 is a sectional view of the walk in bathtub of FIG. 4 taken at A-A.

(51) **LOC (10) Cl.** ..... **23-02**

(52) **U.S. Cl.**

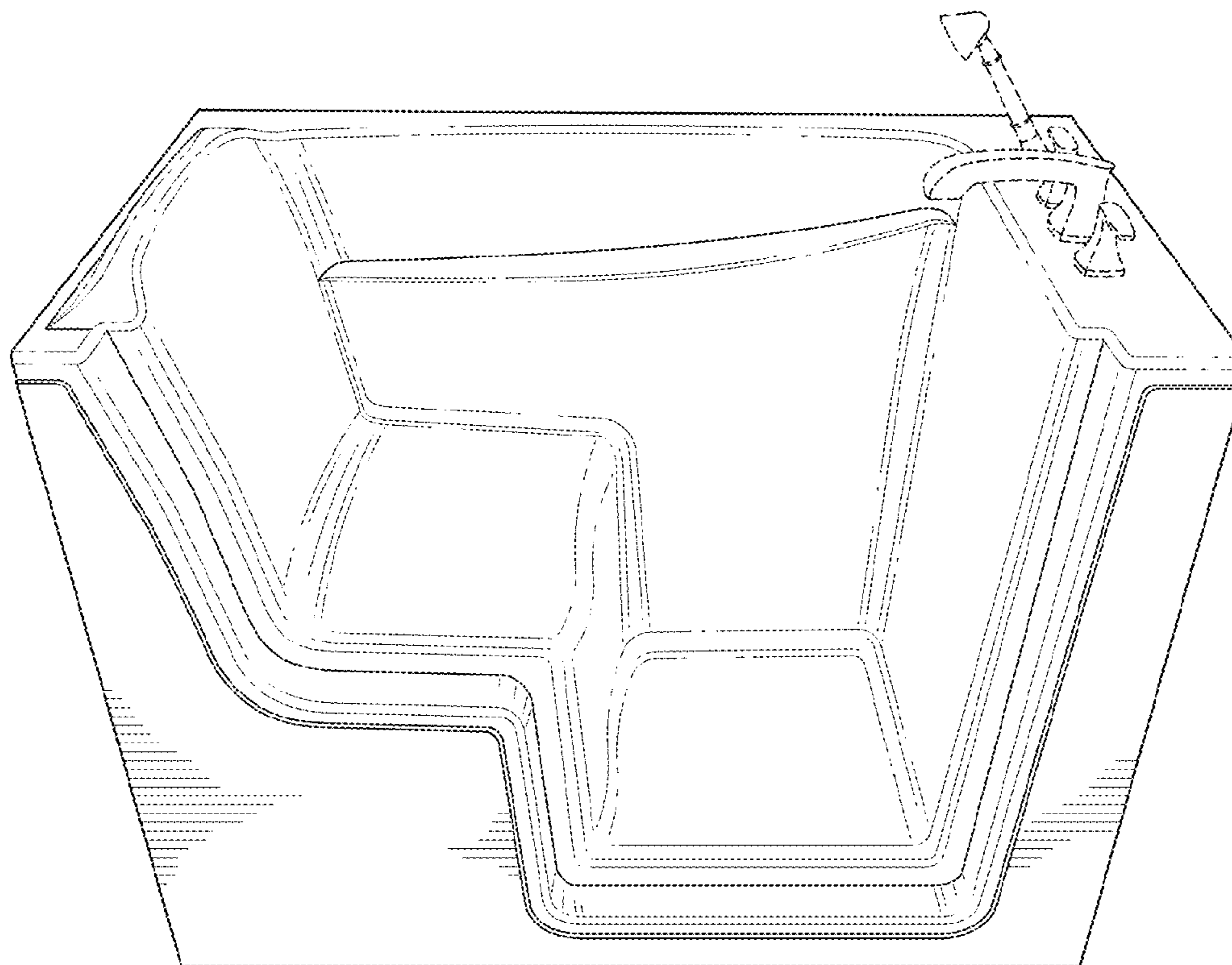
USPC ..... **D23/279**

(58) **Field of Classification Search**

USPC ..... D23/279, 304-306; 4/555-557, 546,  
4/578.1, 590

See application file for complete search history.

**1 Claim, 7 Drawing Sheets**



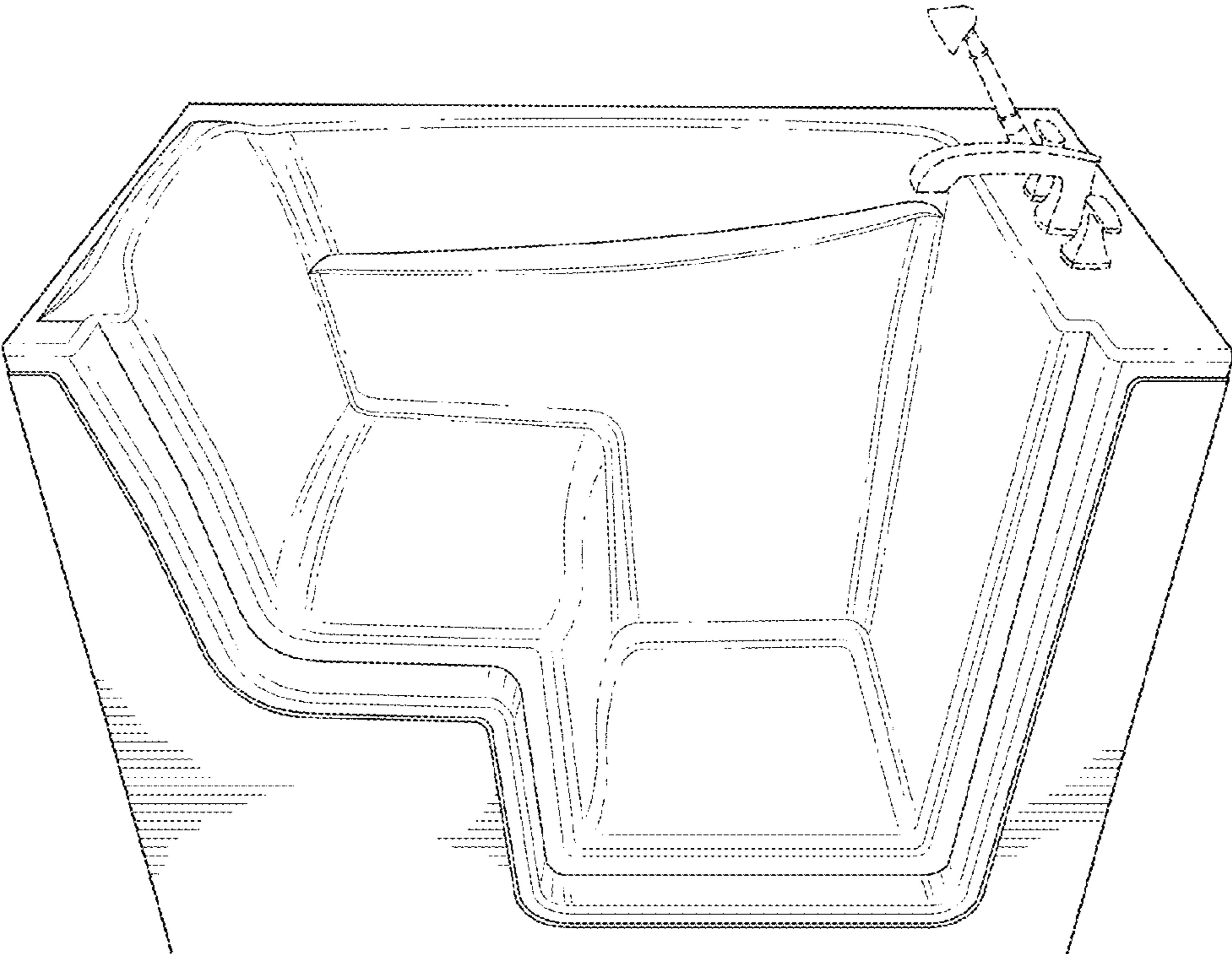


FIG. 1

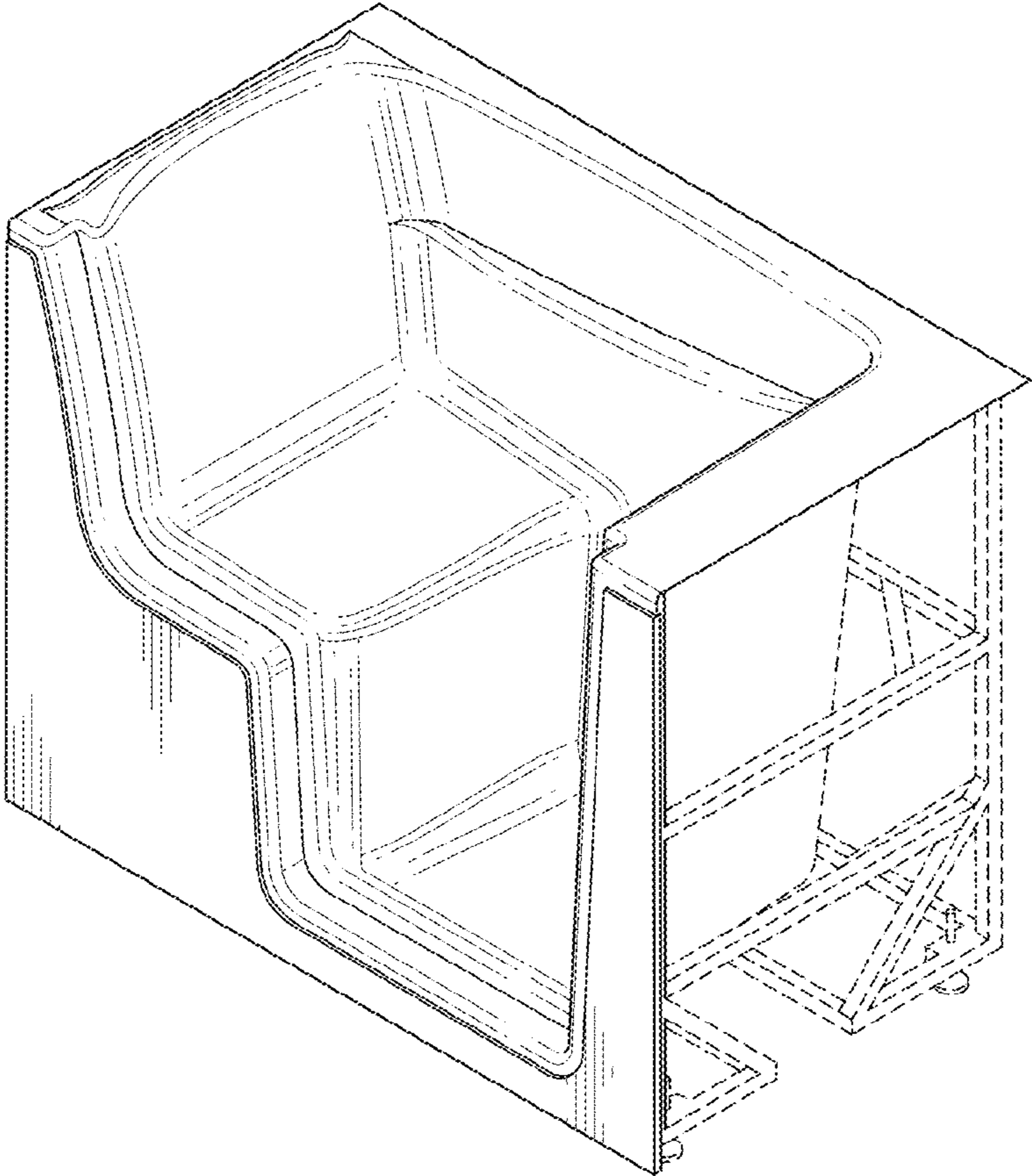


FIG. 2

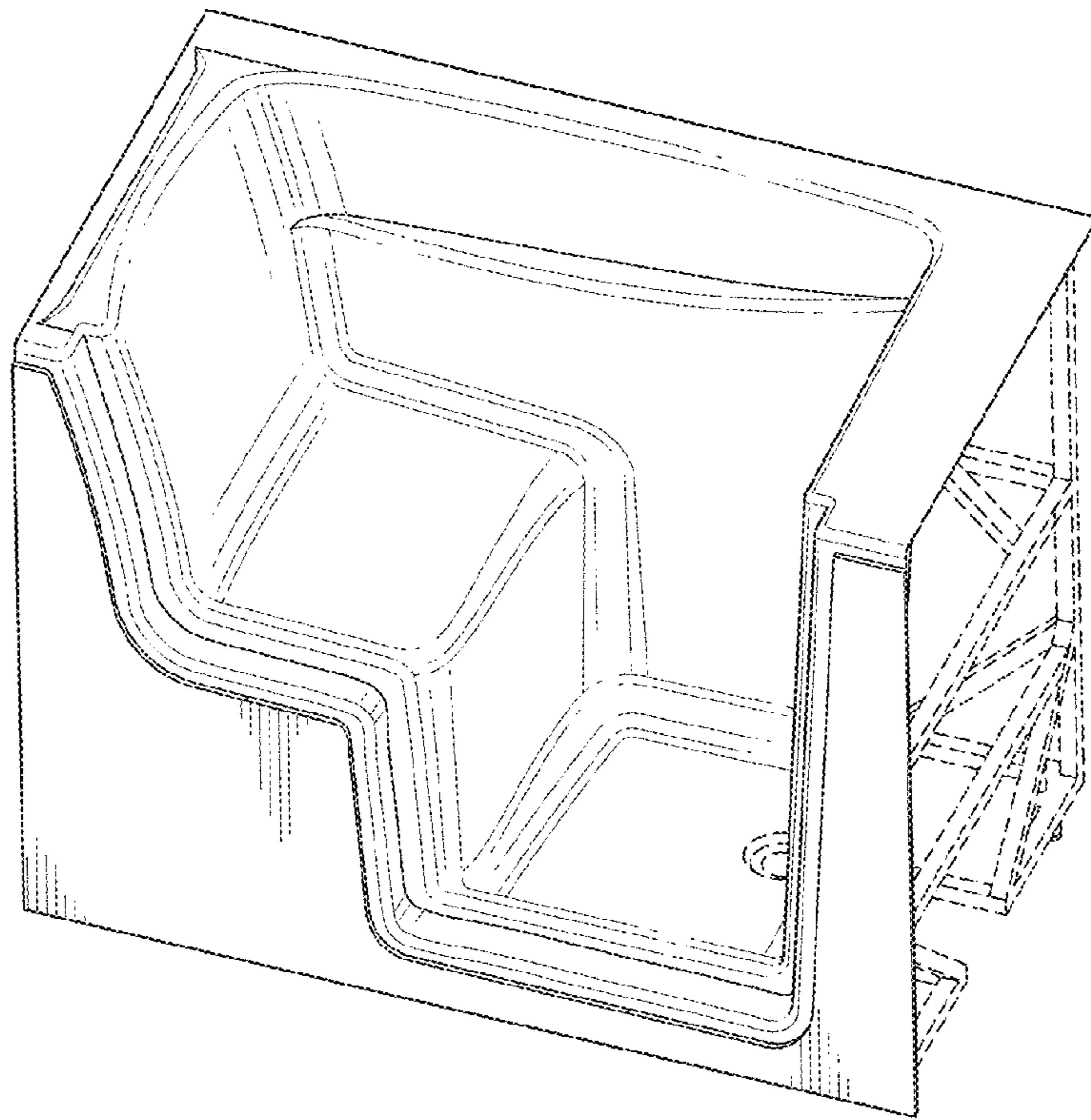


FIG. 3

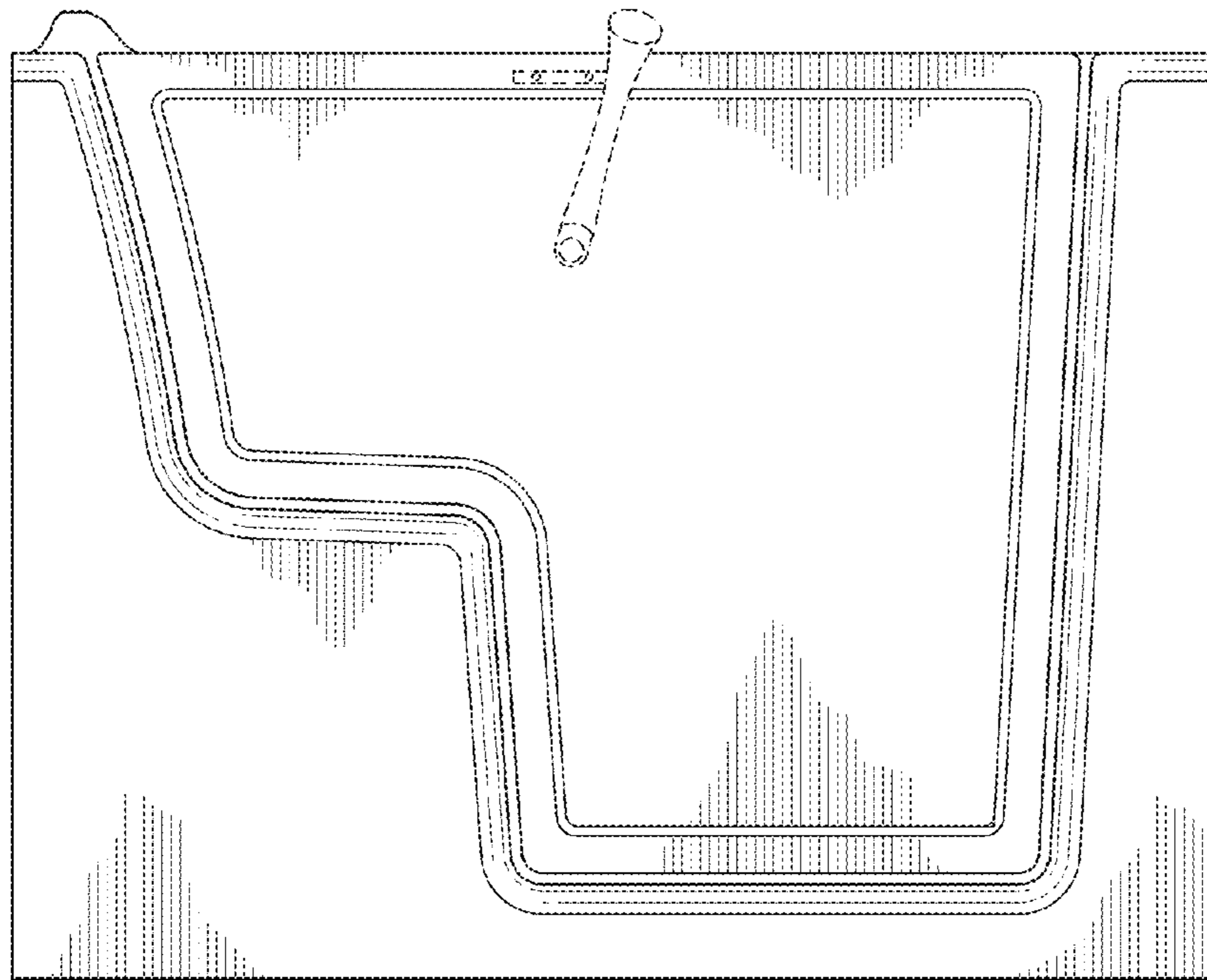


FIG. 4

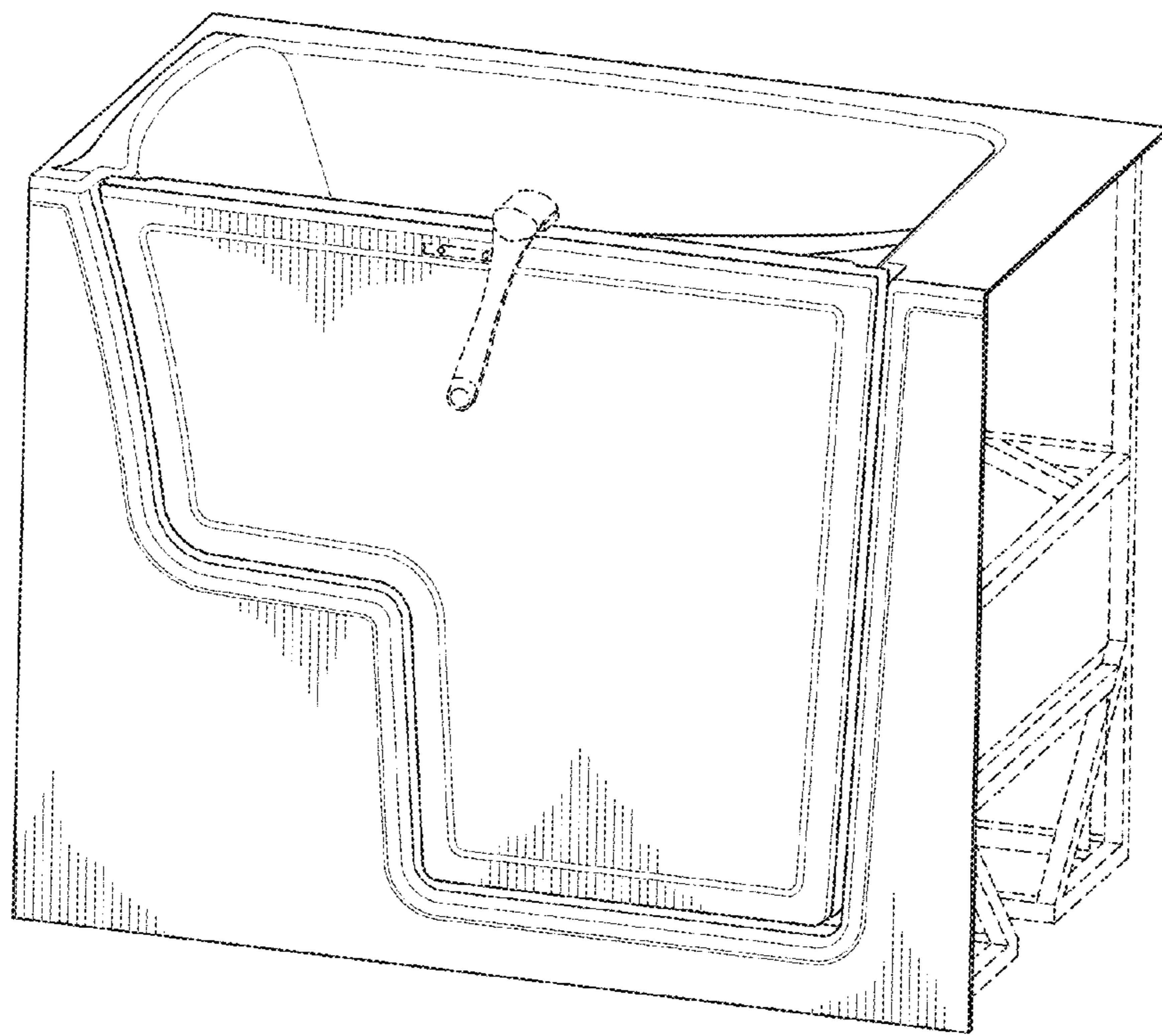


FIG. 5

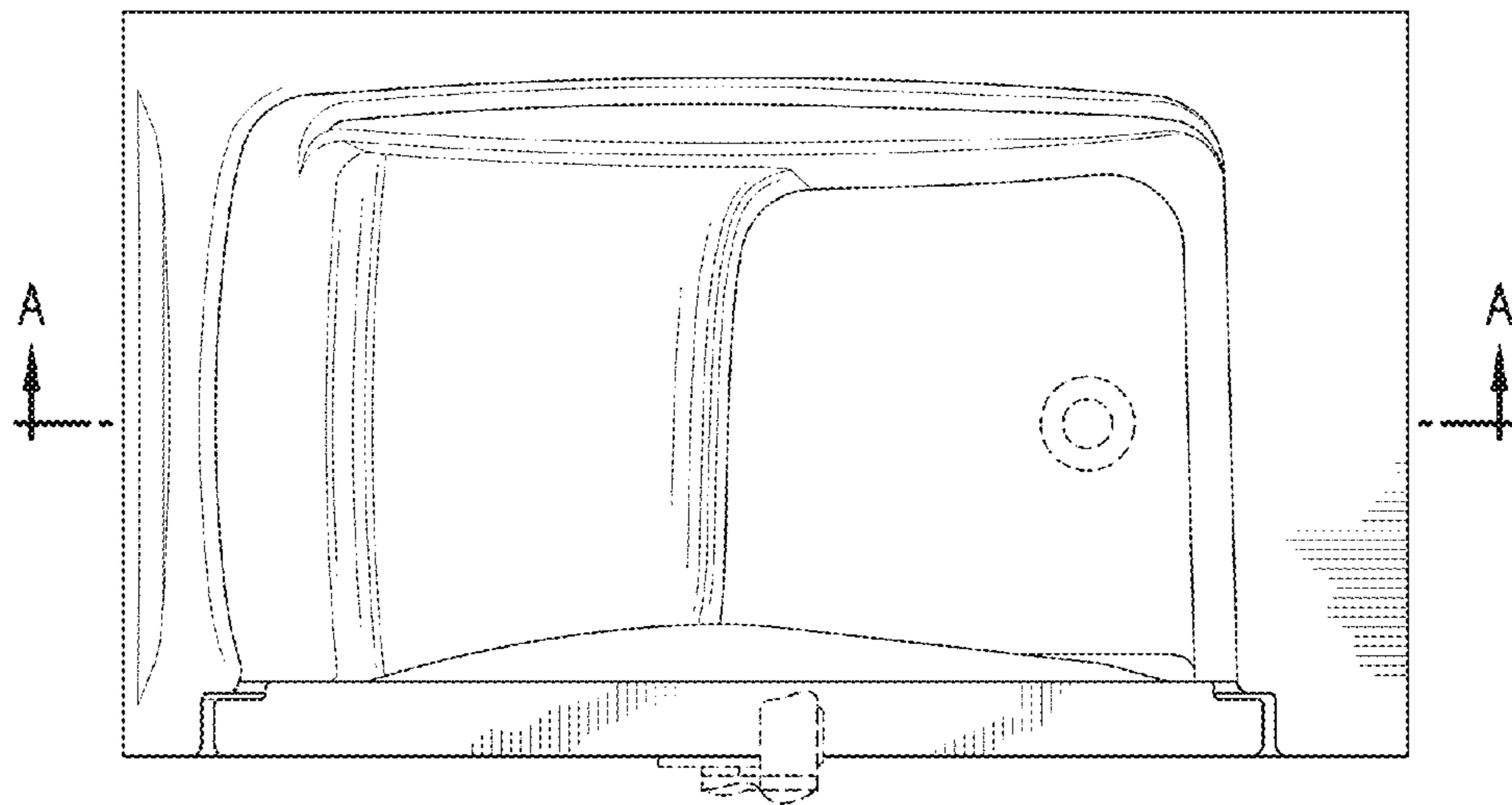


FIG. 6

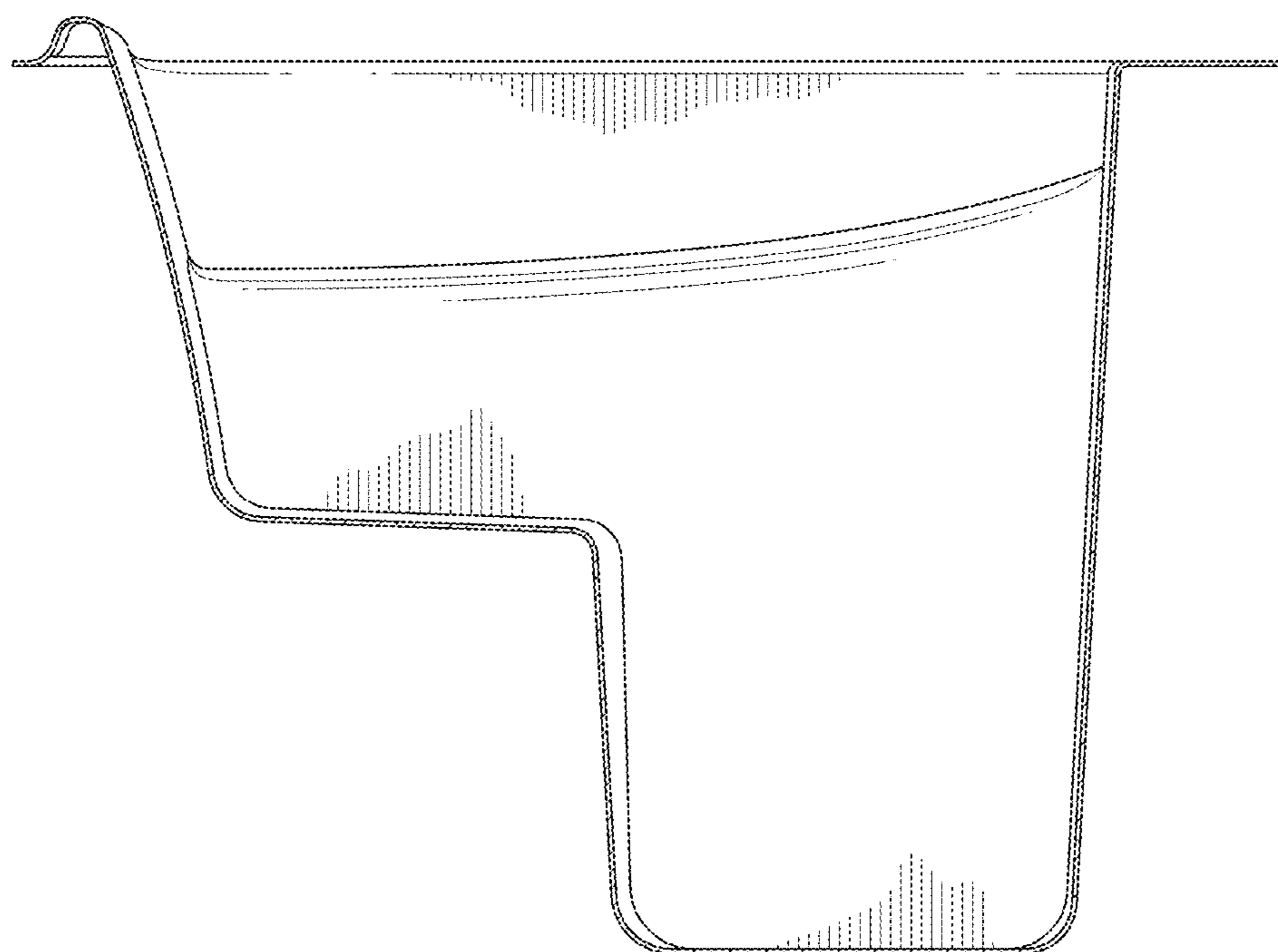


FIG. 7