



US00D697182S

(12) **United States Design Patent**  
**Lutz**

(10) **Patent No.:** **US D697,182 S**  
(45) **Date of Patent:** **\*\* Jan. 7, 2014**

(54) **WALK AROUND ELEVATING TUB**

(71) Applicant: **Robert G. Lutz**, Iola, WI (US)

(72) Inventor: **Robert G. Lutz**, Iola, WI (US)

(\*\*) Term: **14 Years**

(21) Appl. No.: **29/442,418**

(22) Filed: **Feb. 28, 2013**

(51) **LOC (10) Cl.** ..... **23-02**

(52) **U.S. Cl.**  
USPC ..... **D23/277**

(58) **Field of Classification Search**  
USPC ..... D23/275-278, 304, 307; 4/538,  
4/592-593; D30/158; 116/650, 673-676  
See application file for complete search history.

(56) **References Cited**

**U.S. PATENT DOCUMENTS**

D400,655 S \* 11/1998 Thompson ..... D23/278  
D598,078 S \* 8/2009 Lutz ..... D23/278

\* cited by examiner

*Primary Examiner* — Robert Delehanty

(74) *Attorney, Agent, or Firm* — Russell L. Johnson; Patent Agent

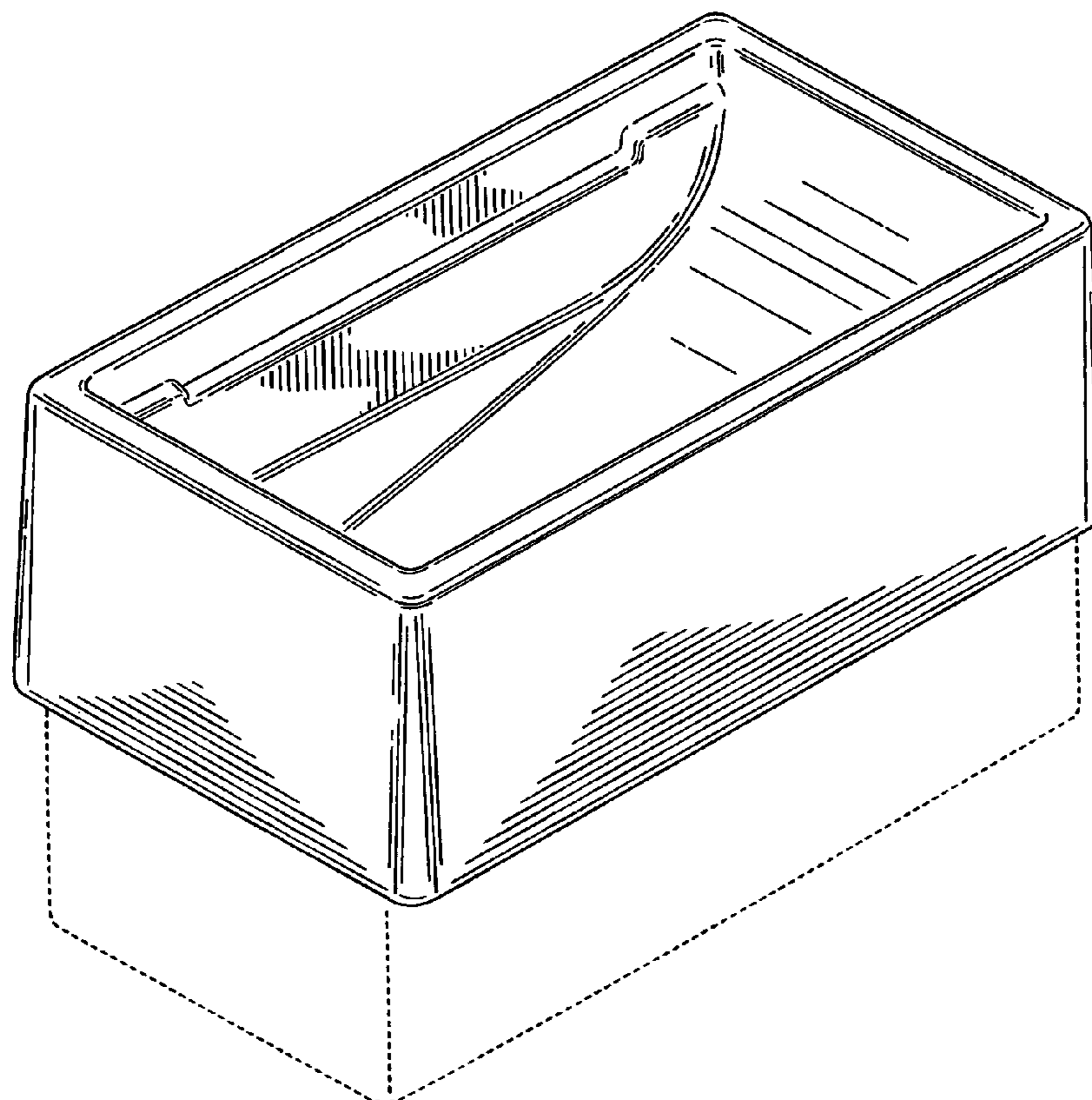
(57) **CLAIM**

The ornamental design for a walk around elevating tub, substantially as shown.

**DESCRIPTION**

FIG. 1 is a perspective view of the bath tub of this invention in an elevated position, taken from a front corner.  
FIG. 2 is a perspective view of the tub of FIG. 1 taken from the corner diagonally opposite to that of FIG. 1.  
FIG. 3 is a plan view of the tub of FIG. 2.  
FIG. 4 is an end elevation view of the tub of FIG. 2; and, FIG. 5 is a side elevation view of the tub of FIG. 2.  
The broken line showing an elevating unit is included for the purpose of illustrating a portion of the bathing tub that forms no part of the claimed design.

**1 Claim, 3 Drawing Sheets**



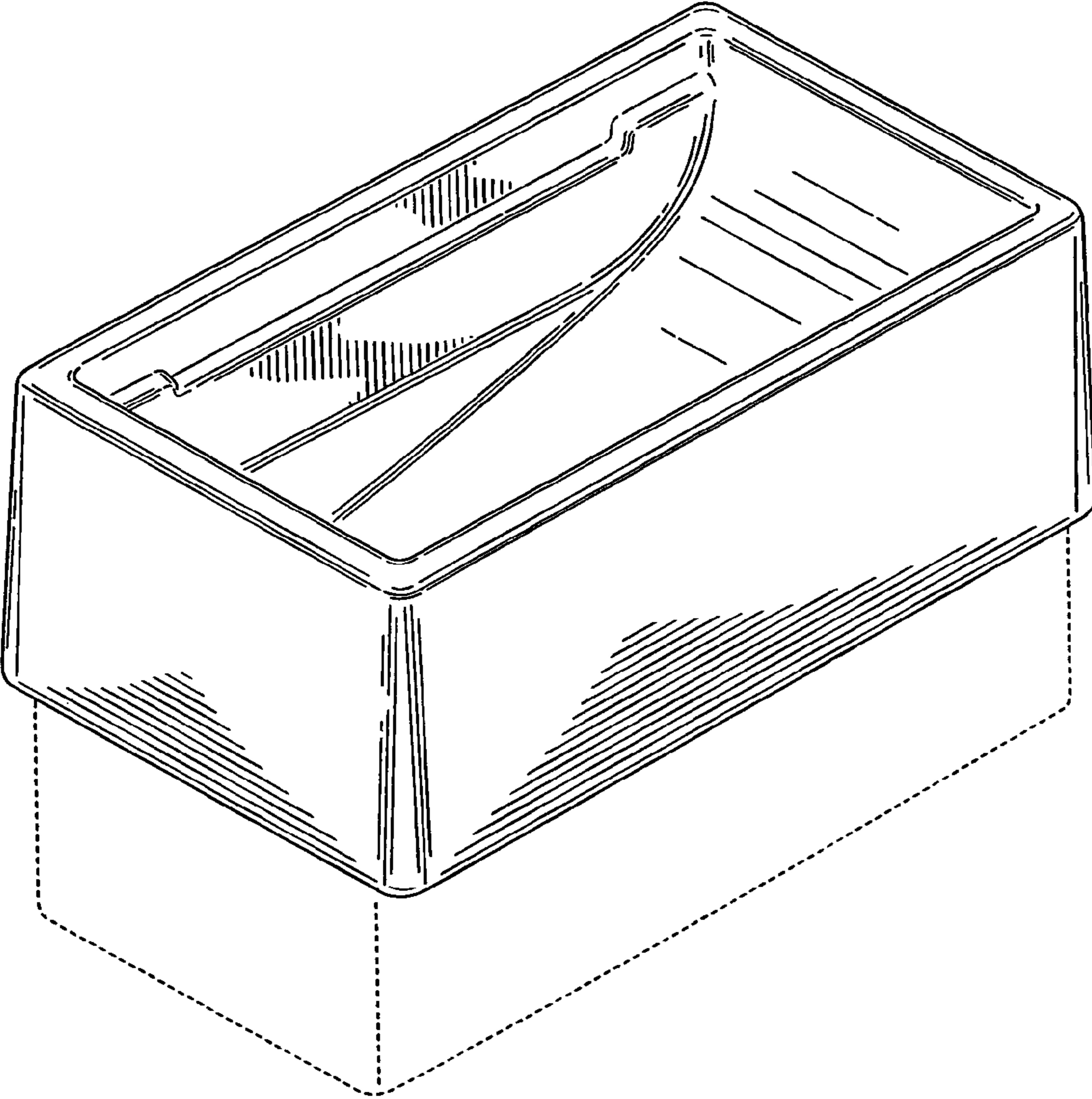


FIG. 1

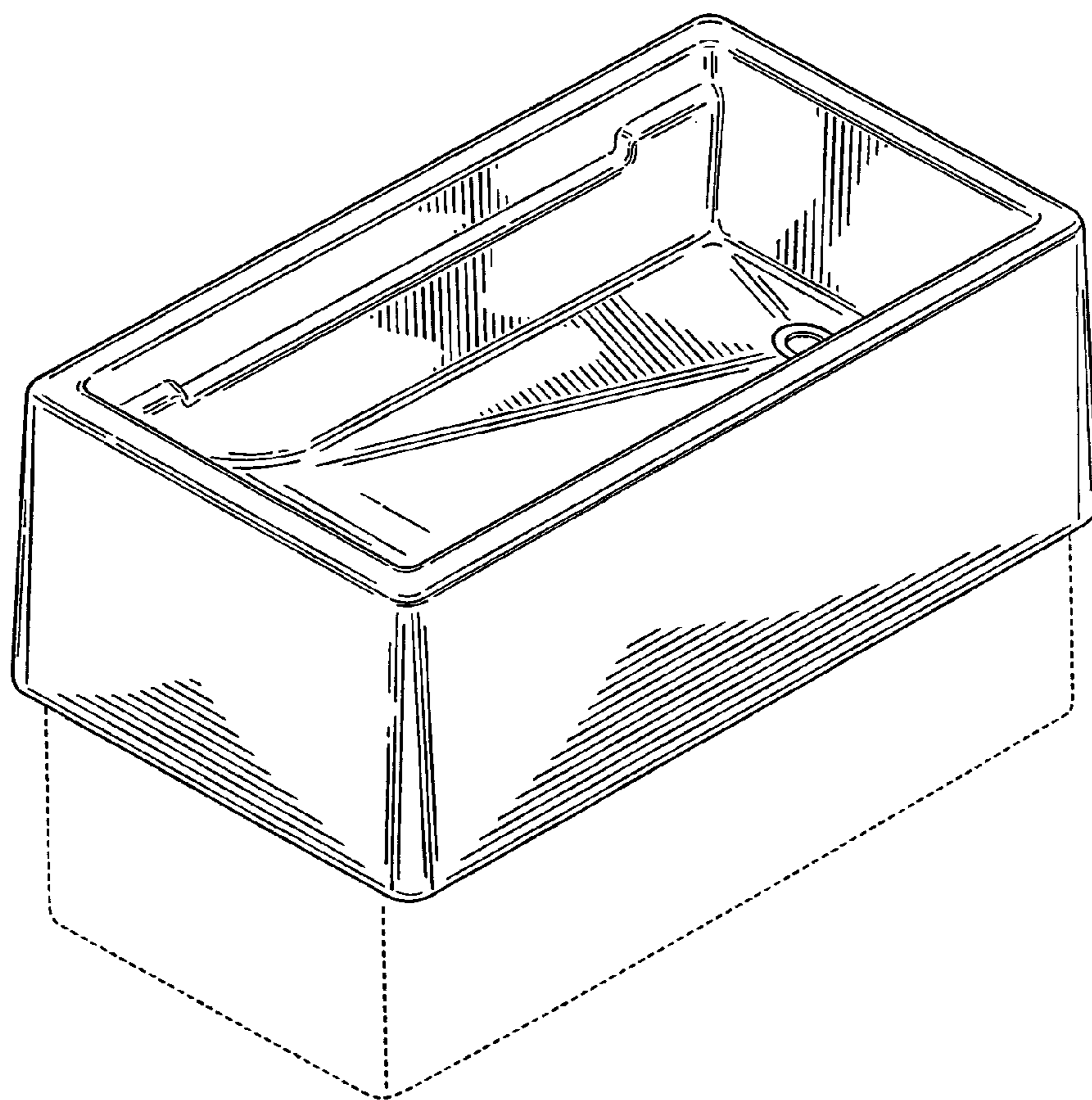


FIG. 2

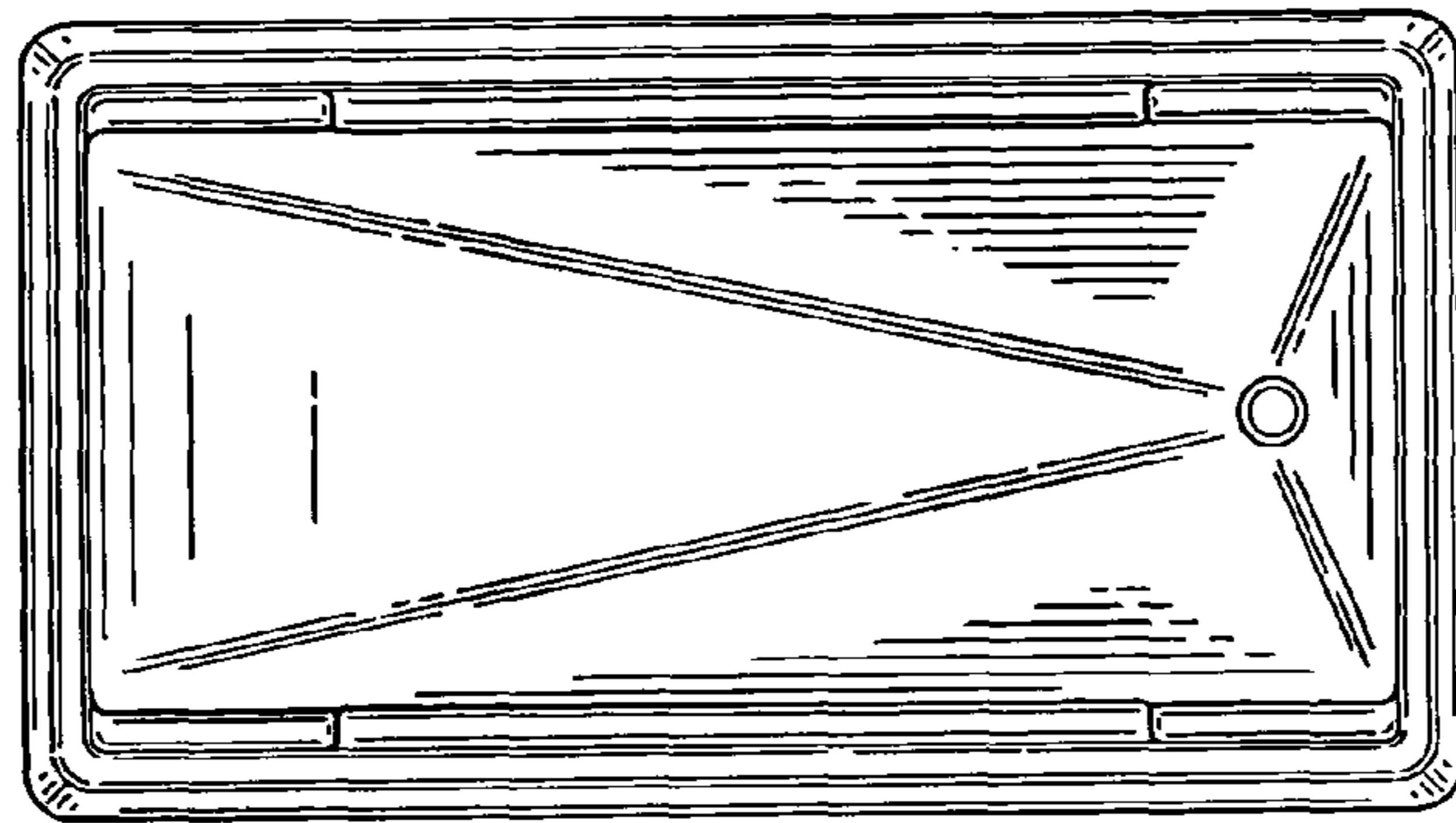


FIG. 3

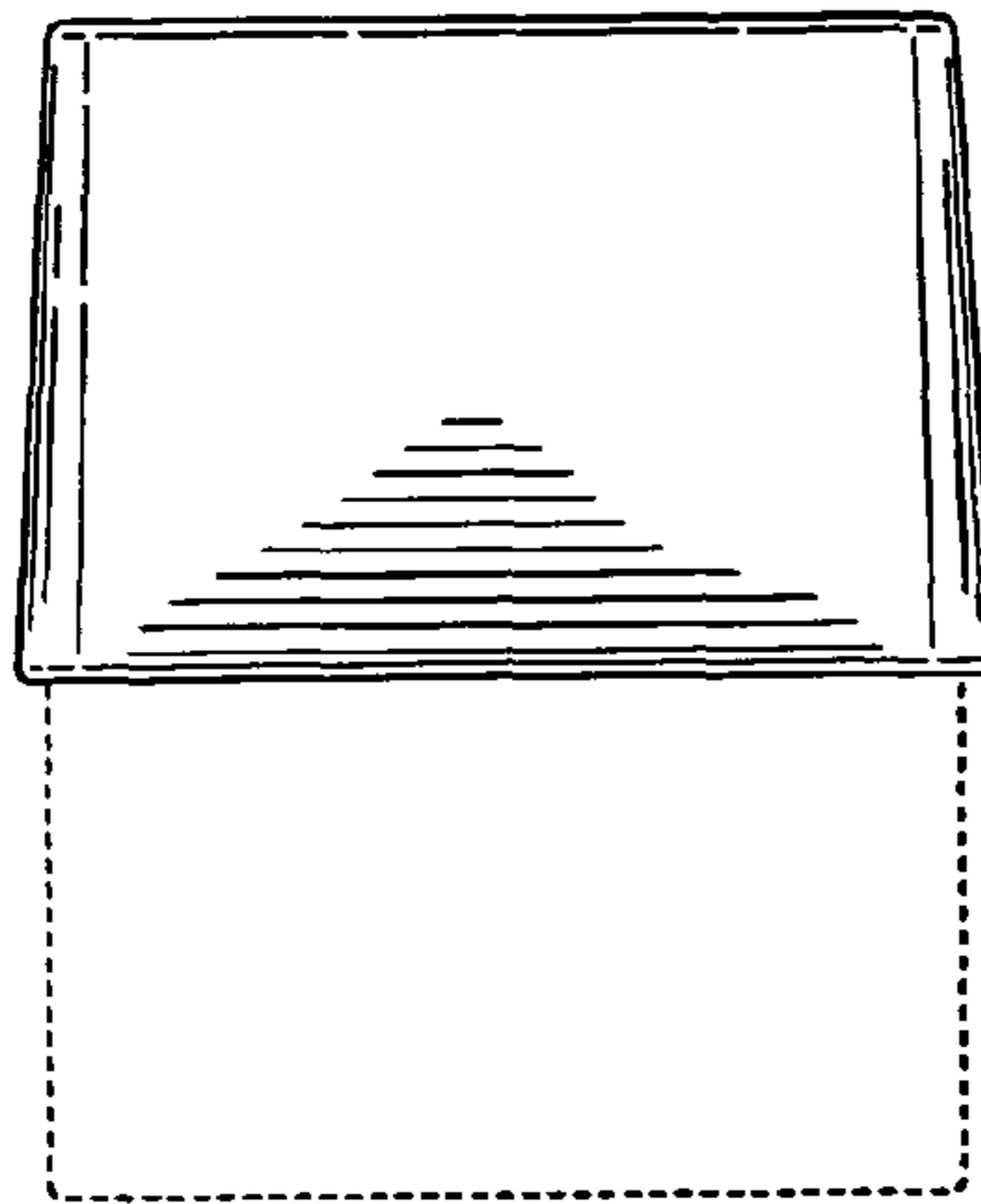


FIG. 4

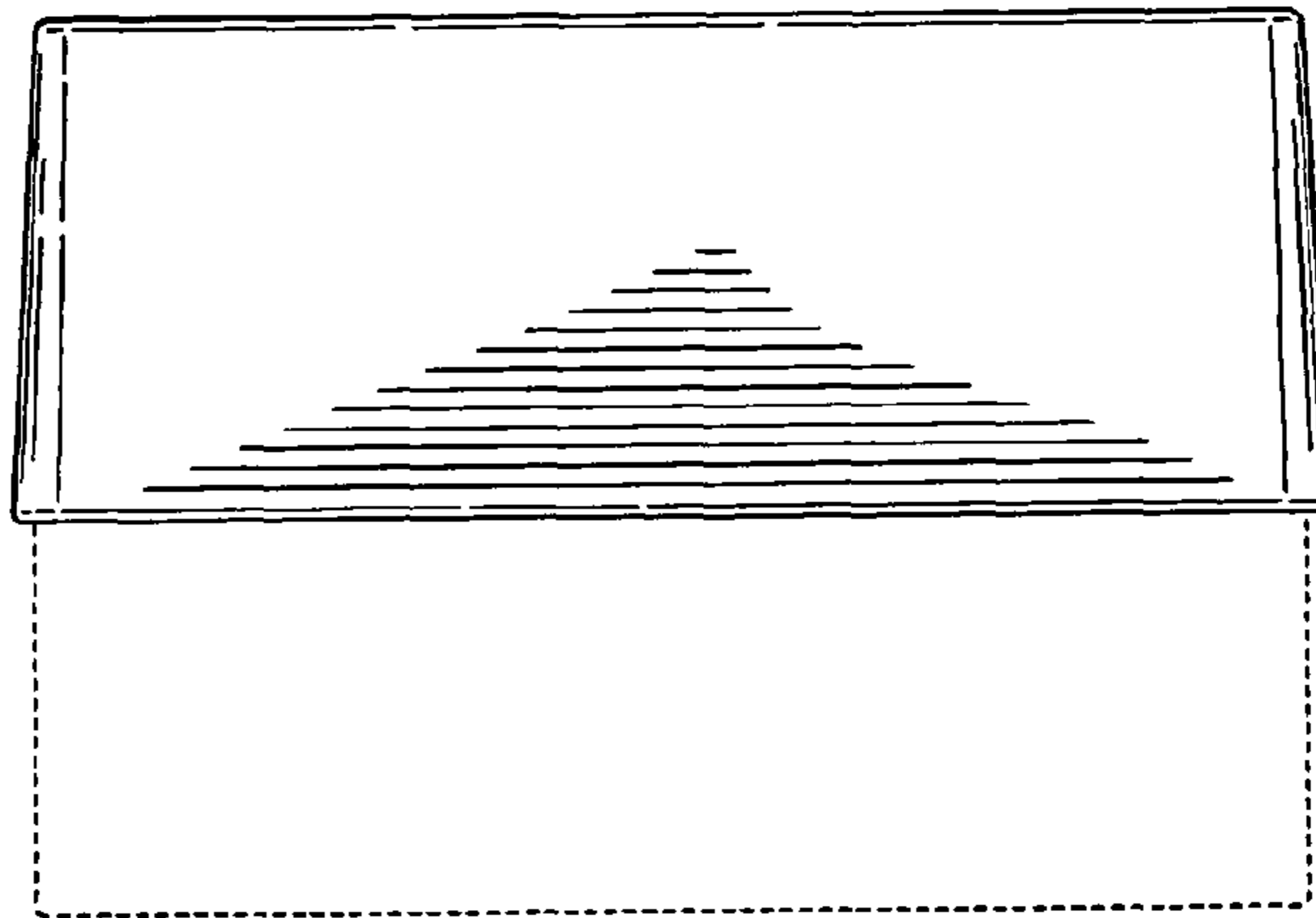


FIG. 5