



US00D697181S

(12) **United States Design Patent**  
**Lutz**

(10) **Patent No.:** **US D697,181 S**  
(45) **Date of Patent:** **\*\* Jan. 7, 2014**

(54) **SPLASH GUARDED ELEVATING BATHING TUB**

*Primary Examiner* — Robert Delehanty  
(74) *Attorney, Agent, or Firm* — Russell L. Johnson; Patent Agent

(71) Applicant: **Robert G. Lutz**, Iola, WI (US)

(72) Inventor: **Robert G. Lutz**, Iola, WI (US)

(\*\*) Term: **14 Years**

(21) Appl. No.: **29/442,416**

(22) Filed: **Feb. 28, 2013**

(51) **LOC (10) Cl.** ..... **23-02**

(52) **U.S. Cl.**  
USPC ..... **D23/277**

(58) **Field of Classification Search**  
USPC ..... D23/275–278, 304, 307; 4/538,  
4/592–593; D30/158; 116/650, 673–676  
See application file for complete search history.

(56) **References Cited**

**U.S. PATENT DOCUMENTS**

6,516,752	B2 *	2/2003	Batterton	.....	119/650
6,988,467	B1 *	1/2006	Smith	.....	119/675
D598,079	S *	8/2009	Lutz	.....	D23/278

\* cited by examiner

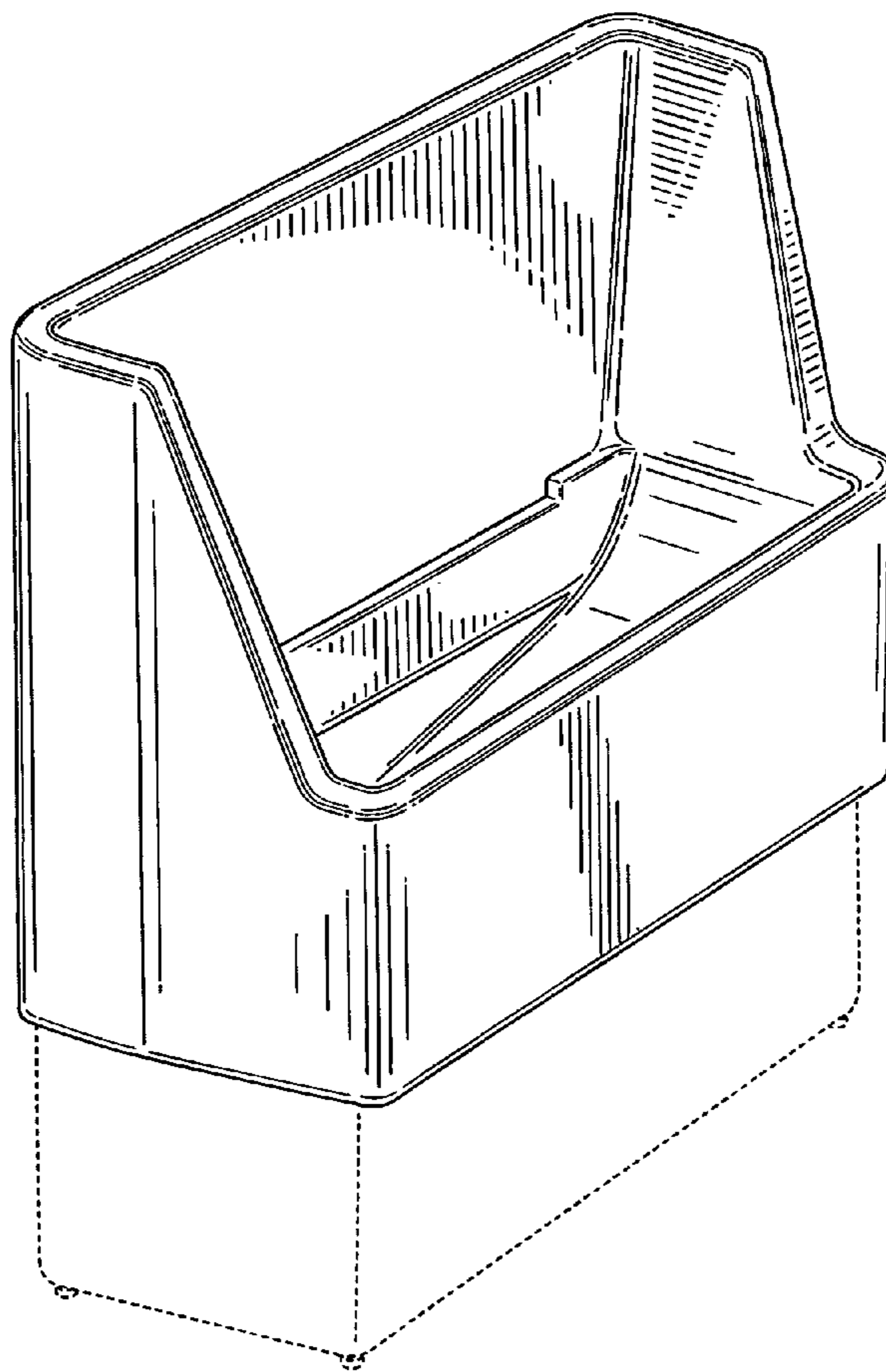
(57) **CLAIM**

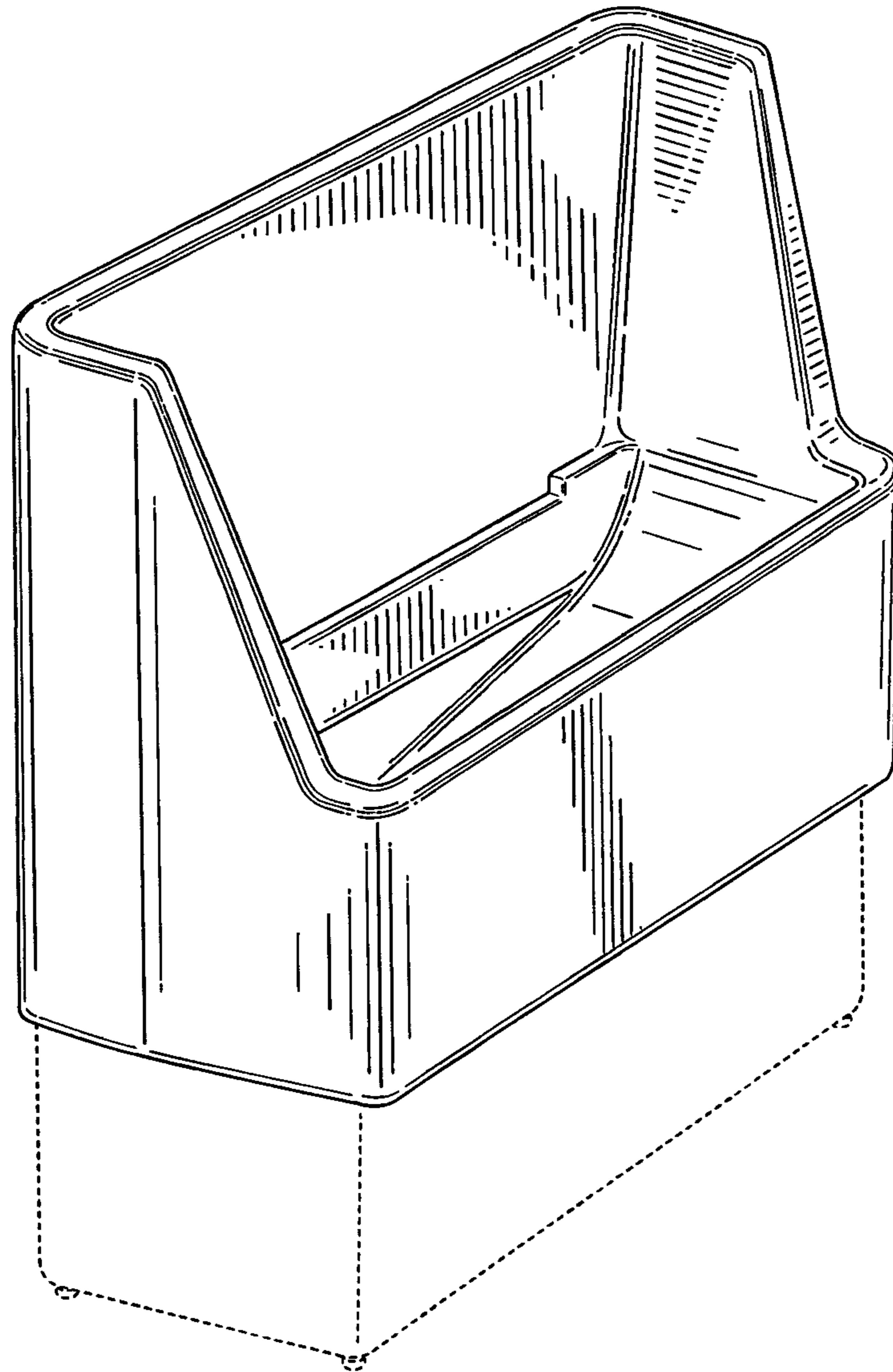
The ornamental design for a splash guarded elevating bathing tub, substantially as shown.

**DESCRIPTION**

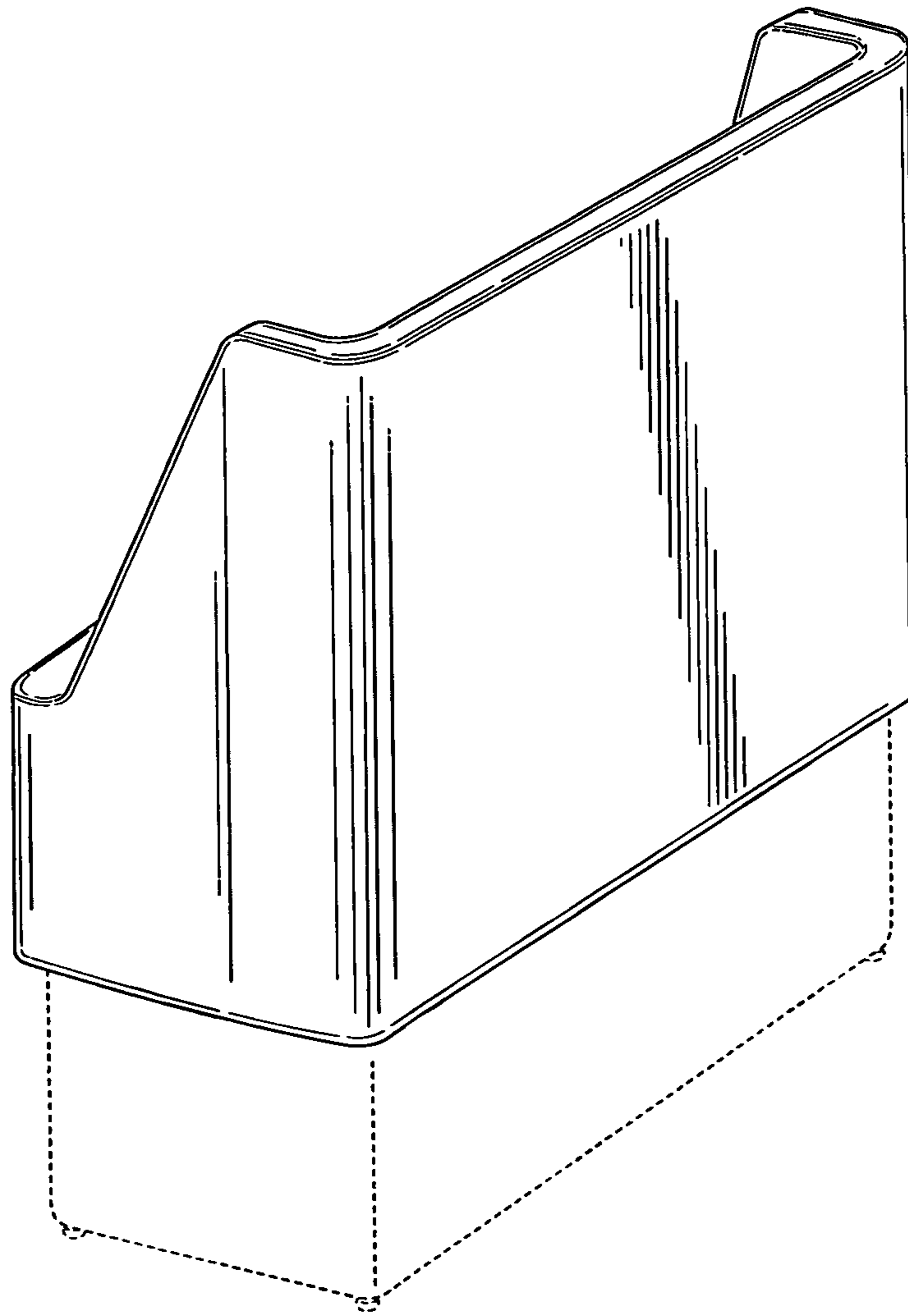
FIG. 1 is a perspective view of the splash guarded elevating bathing tub of this invention in the elevated position taken from a front corner.  
FIG. 2 is a perspective view of the tub of FIG. 1 taken from the back corner diagonally opposite to that of FIG. 1.  
FIG. 3 is a front elevation view of the tub of FIG. 1.  
FIG. 4 is plan view of the tub of FIG. 1; and,  
FIG. 5 is a side elevation view of the tub of FIG. 1.  
The broken line showing an elevating unit is included for the purpose of illustrating a portion of the bathing tub that forms no part of the claimed design.

**1 Claim, 3 Drawing Sheets**





**FIG. 1**



**FIG. 2**

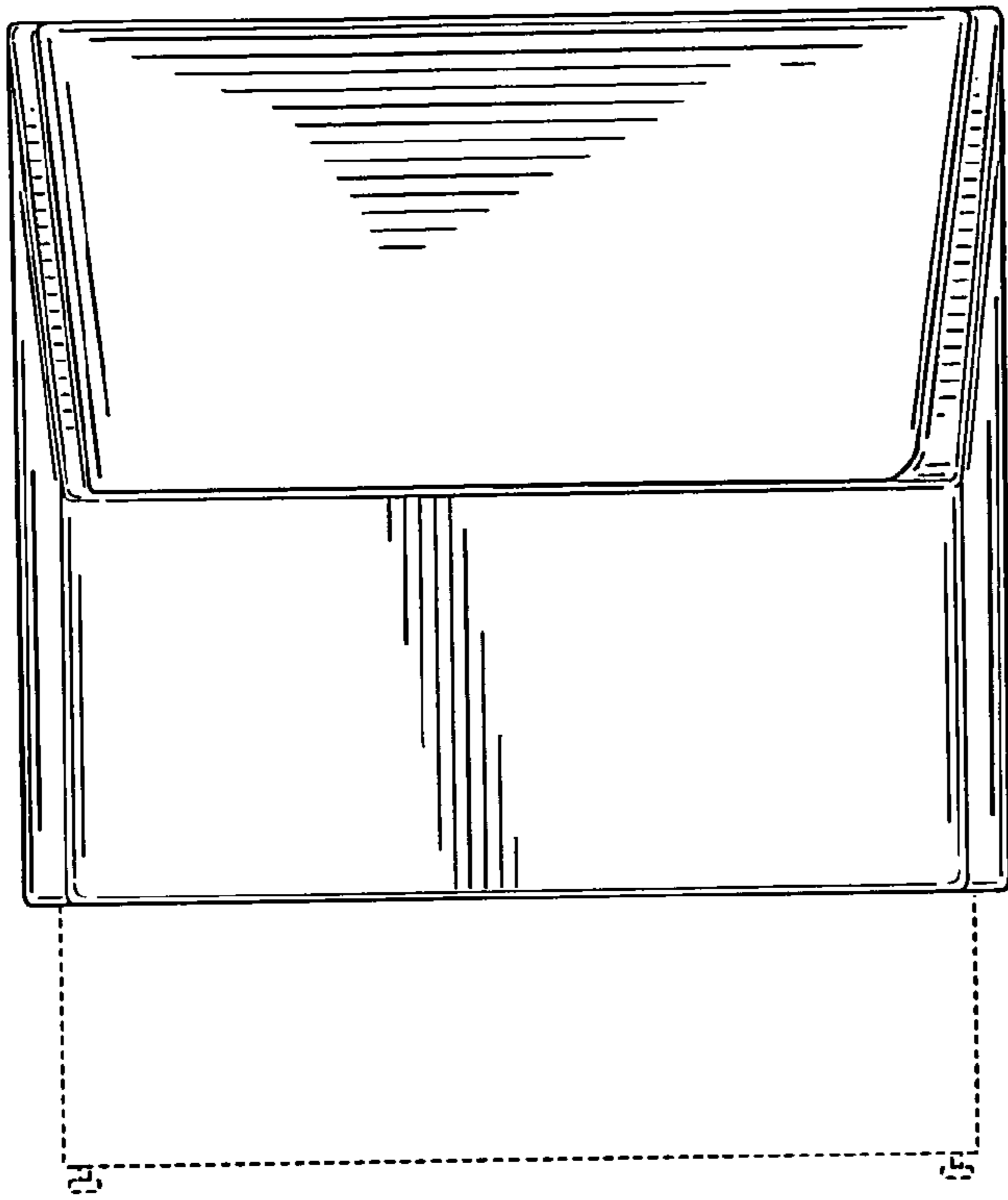


FIG. 3

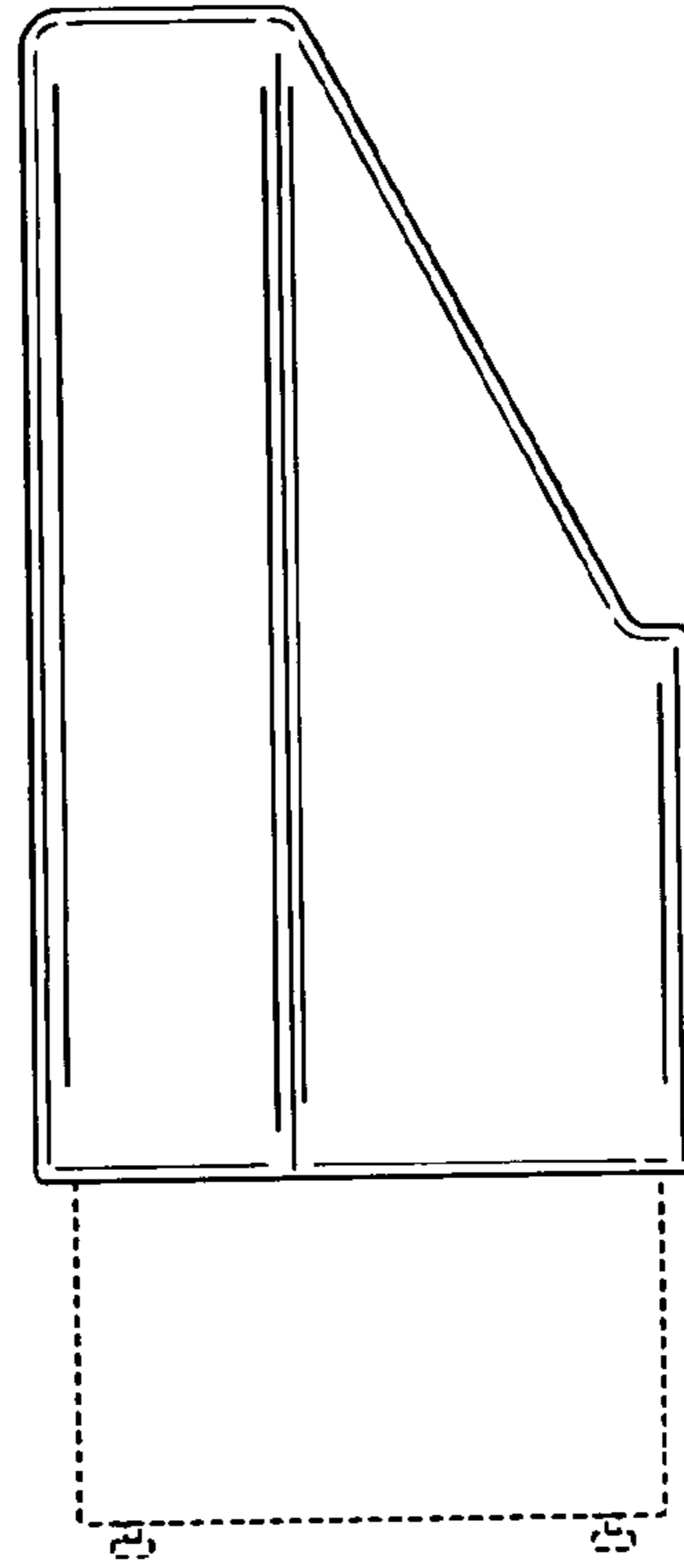


FIG. 5

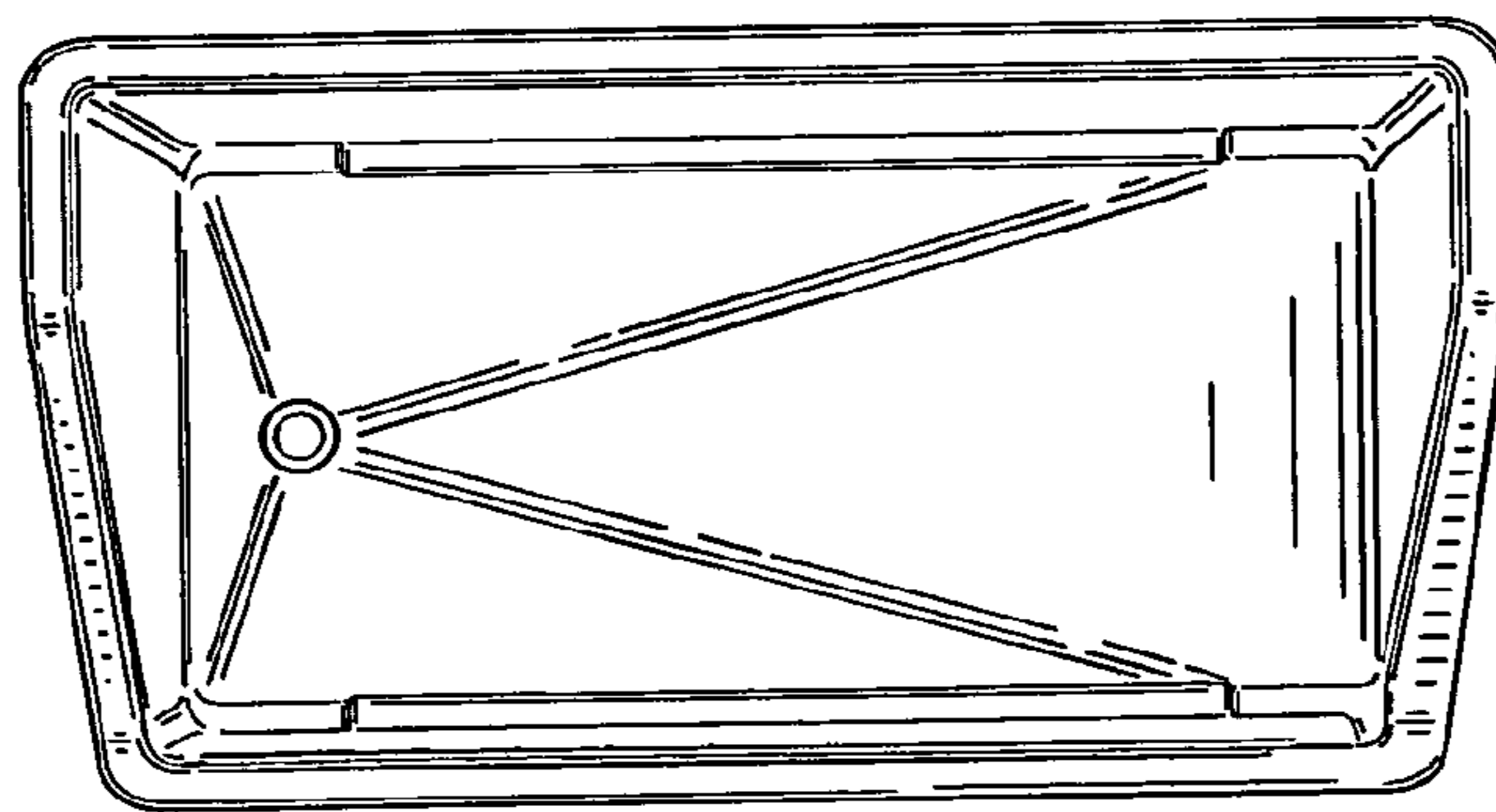


FIG. 4