



US00D697179S

(12) **United States Design Patent**  
**Georgeson et al.**

(10) **Patent No.:** **US D697,179 S**  
(45) **Date of Patent:** **\*\* Jan. 7, 2014**

(54) **FAUCET**

(71) Applicant: **Kohler Co.**, Kohler, WI (US)

(72) Inventors: **Paul B. Georgeson**, Sheboygan, WI (US); **Rafael A. Rexach**, Sheboygan, WI (US)

(73) Assignee: **Kohler Co.**, Kohler, WI (US)

(\*\*) Term: **14 Years**

(21) Appl. No.: **29/447,520**

(22) Filed: **Mar. 4, 2013**

(51) **LOC (10) Cl.** ..... **23-01**

(52) **U.S. Cl.**  
USPC ..... **D23/255**

(58) **Field of Classification Search**  
USPC ..... D23/238, 241–243, 250, 252, 255, 257;  
4/675–678; 137/801

See application file for complete search history.

(56) **References Cited**

**U.S. PATENT DOCUMENTS**

D81,314 S *	6/1930	Kersten .....	D23/252
D532,486 S *	11/2006	Barry .....	D23/252
D576,709 S *	9/2008	Fritz .....	D23/238
D651,692 S *	1/2012	Vanderheyden et al. ....	D23/252
D660,943 S *	5/2012	Georgeson et al. ....	D23/252
D661,376 S *	6/2012	Vanderheyden et al. ....	D23/252
D661,783 S *	6/2012	Georgeson et al. ....	D23/252
D667,937 S *	9/2012	Liao .....	D23/257

\* cited by examiner

*Primary Examiner* — Robert Delehanty

(74) *Attorney, Agent, or Firm* — Foley & Lardner LLP

(57) **CLAIM**

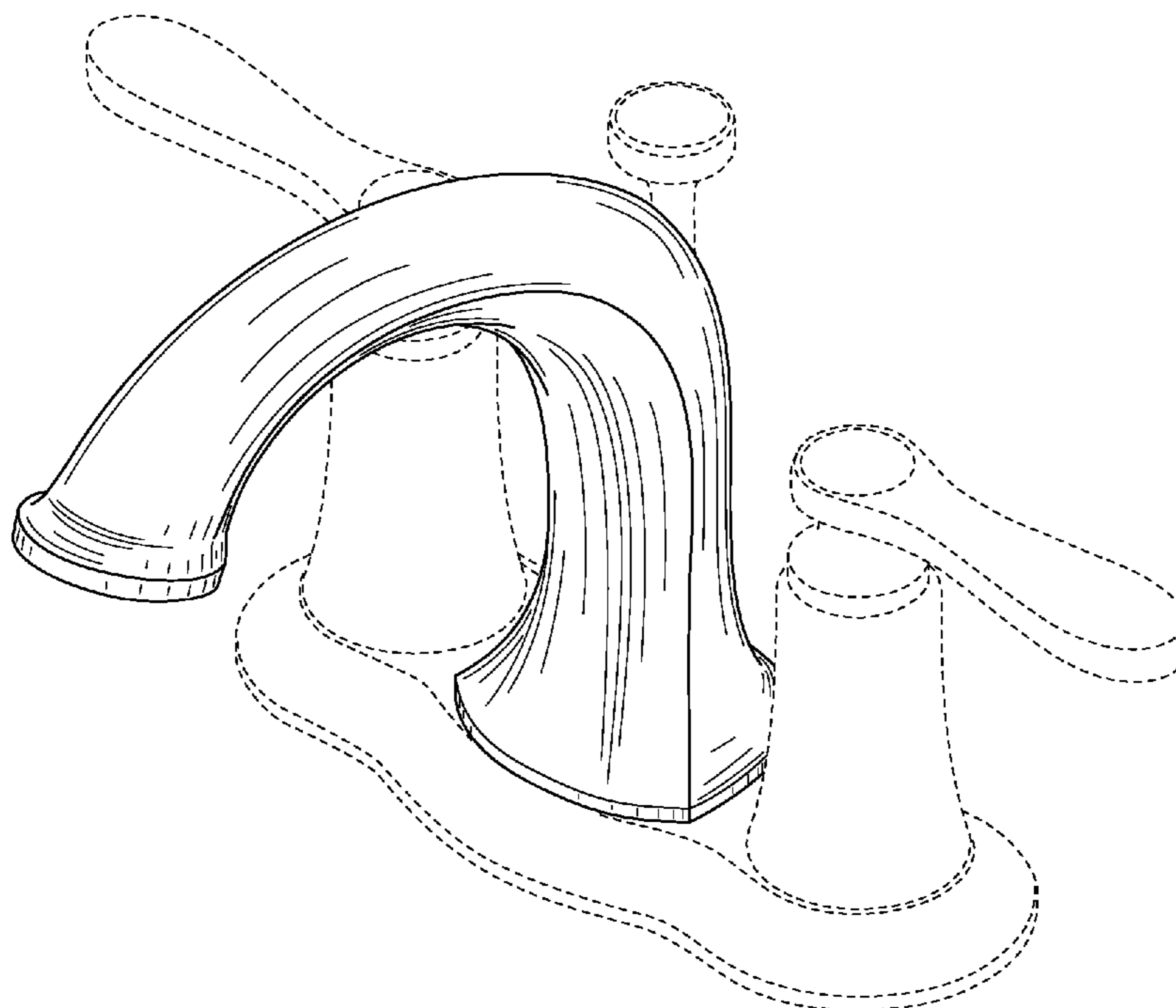
We claim the ornamental design for a faucet, as shown and described.

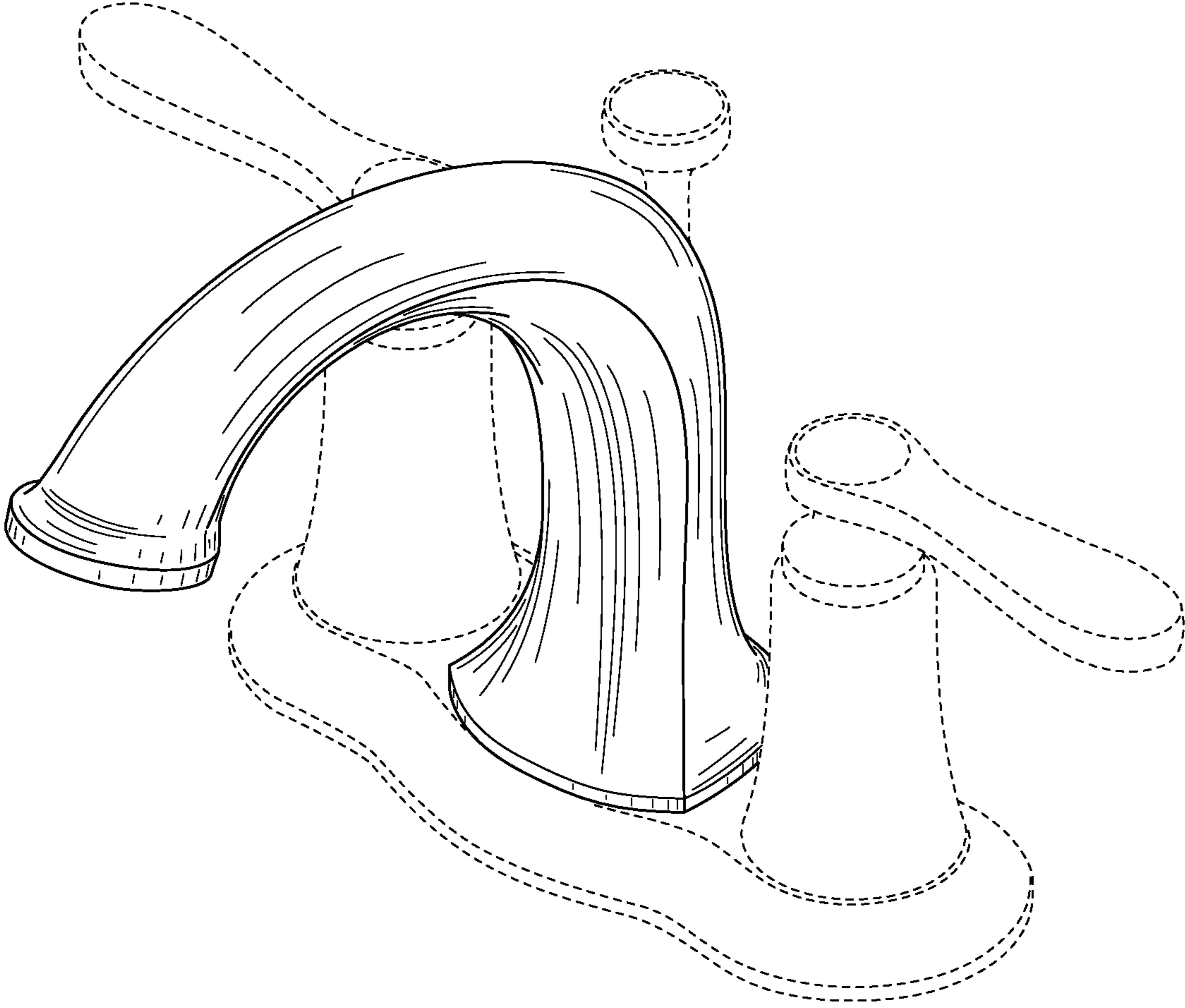
**DESCRIPTION**

FIG. 1 is a perspective view of the claimed design;  
 FIG. 2 is a front view of the claimed design shown in FIG. 1;  
 FIG. 3 is a rear view of the claimed design shown in FIG. 1;  
 FIG. 4 is a top view of the claimed design shown in FIG. 1;  
 FIG. 5 is a bottom view of the claimed design shown in FIG. 1;  
 FIG. 6 is a side view of the claimed design shown in FIG. 1;  
 FIG. 7 is another side view of the claimed design shown in FIG. 1;  
 FIG. 8 is a perspective view another embodiment of the claimed design;  
 FIG. 9 is a front view of the claimed design shown in FIG. 8;  
 FIG. 10 is a rear view of the claimed design shown in FIG. 8;  
 FIG. 11 is a top view of the claimed design shown in FIG. 8;  
 FIG. 12 is a bottom view of the claimed design shown in FIG. 8;  
 FIG. 13 is a side view of the claimed design shown in FIG. 8;  
 and,  
 FIG. 14 is another side view of the claimed design shown in FIG. 8.

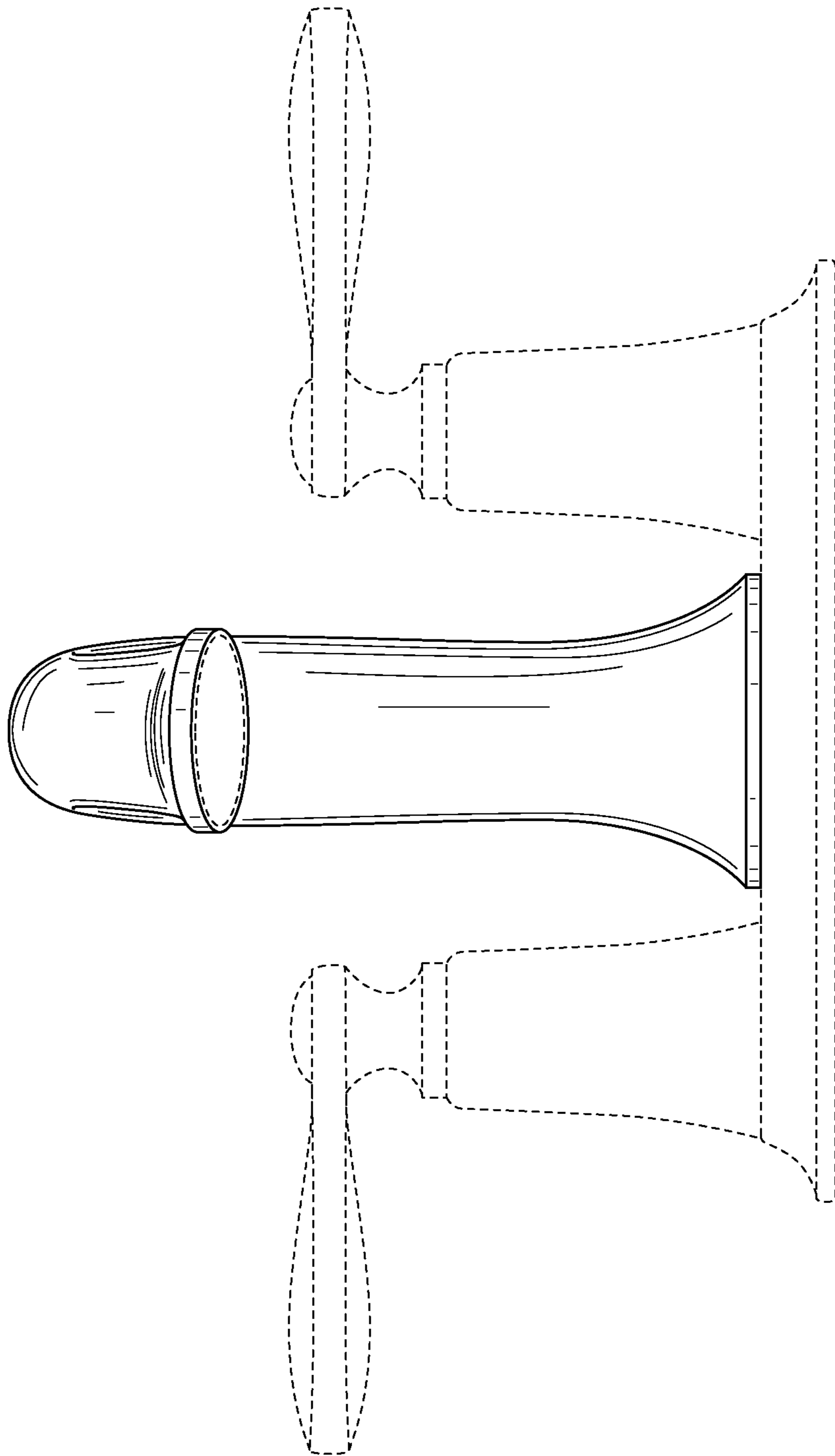
The ornamental design which is claimed is shown in solid lines in the drawings. The broken lines in the drawings are for illustrative purposes only and form no part of the claimed design.

**1 Claim, 14 Drawing Sheets**





**FIG. 1**



**FIG. 2**

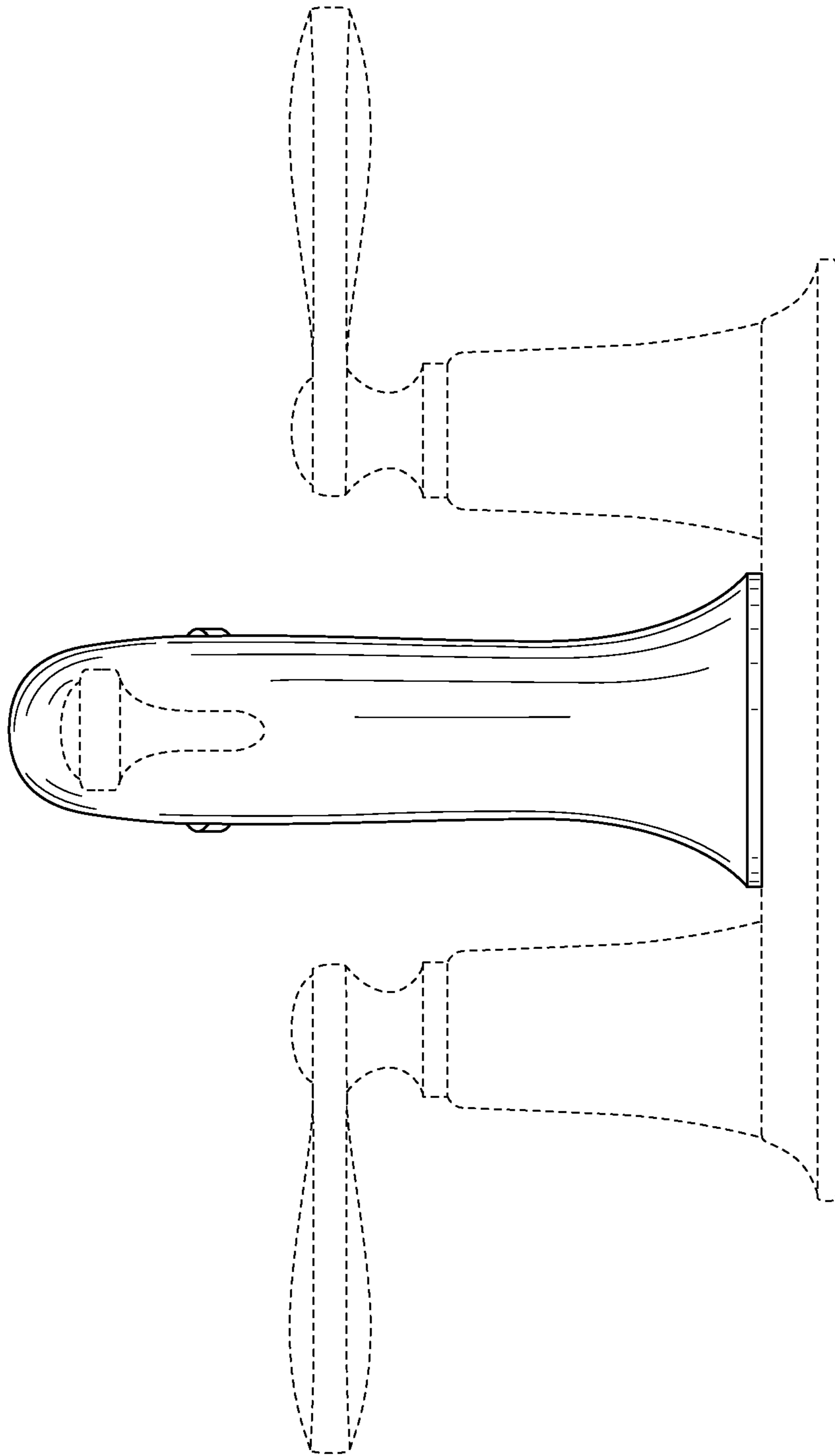


FIG. 3

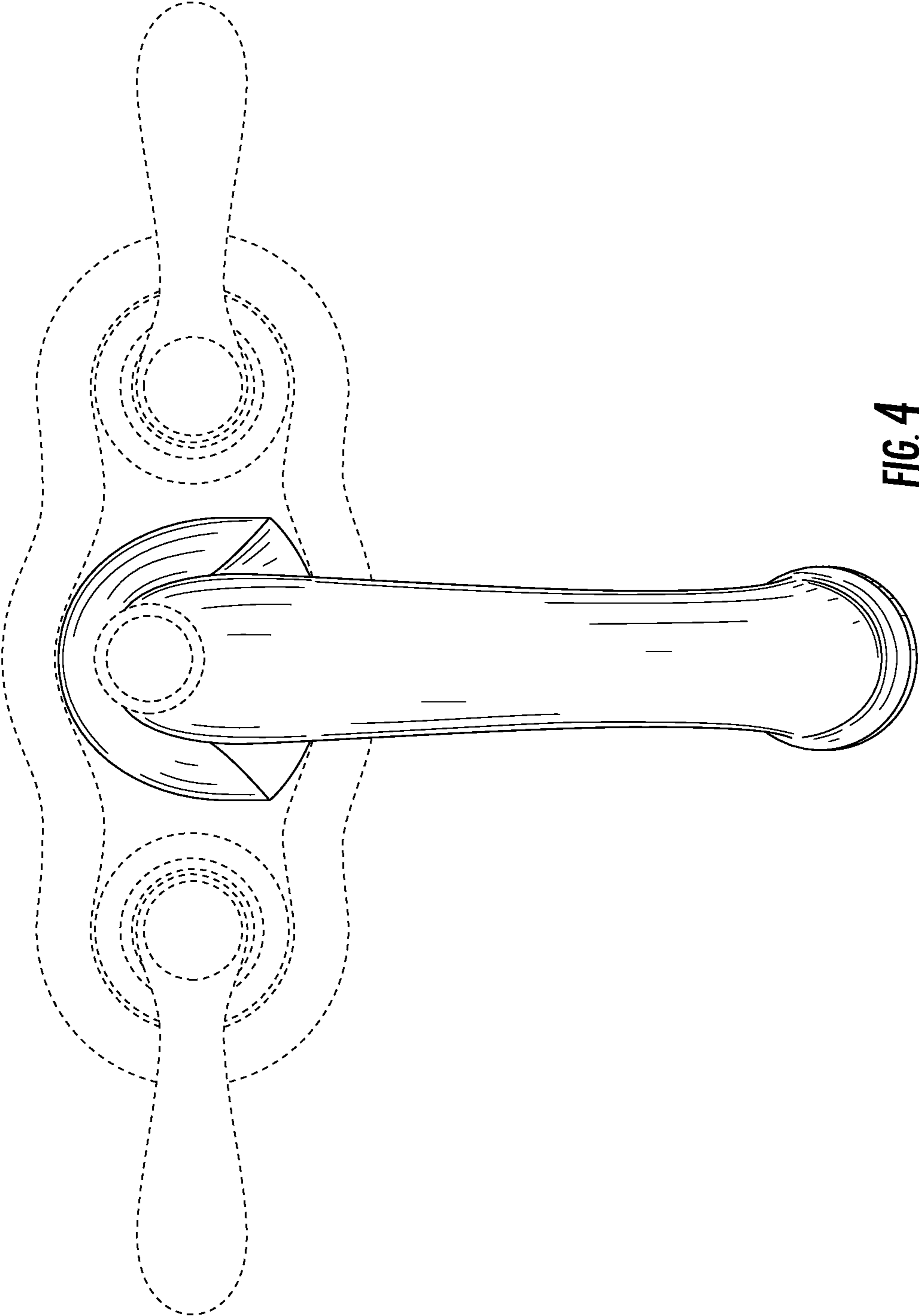


FIG. 4

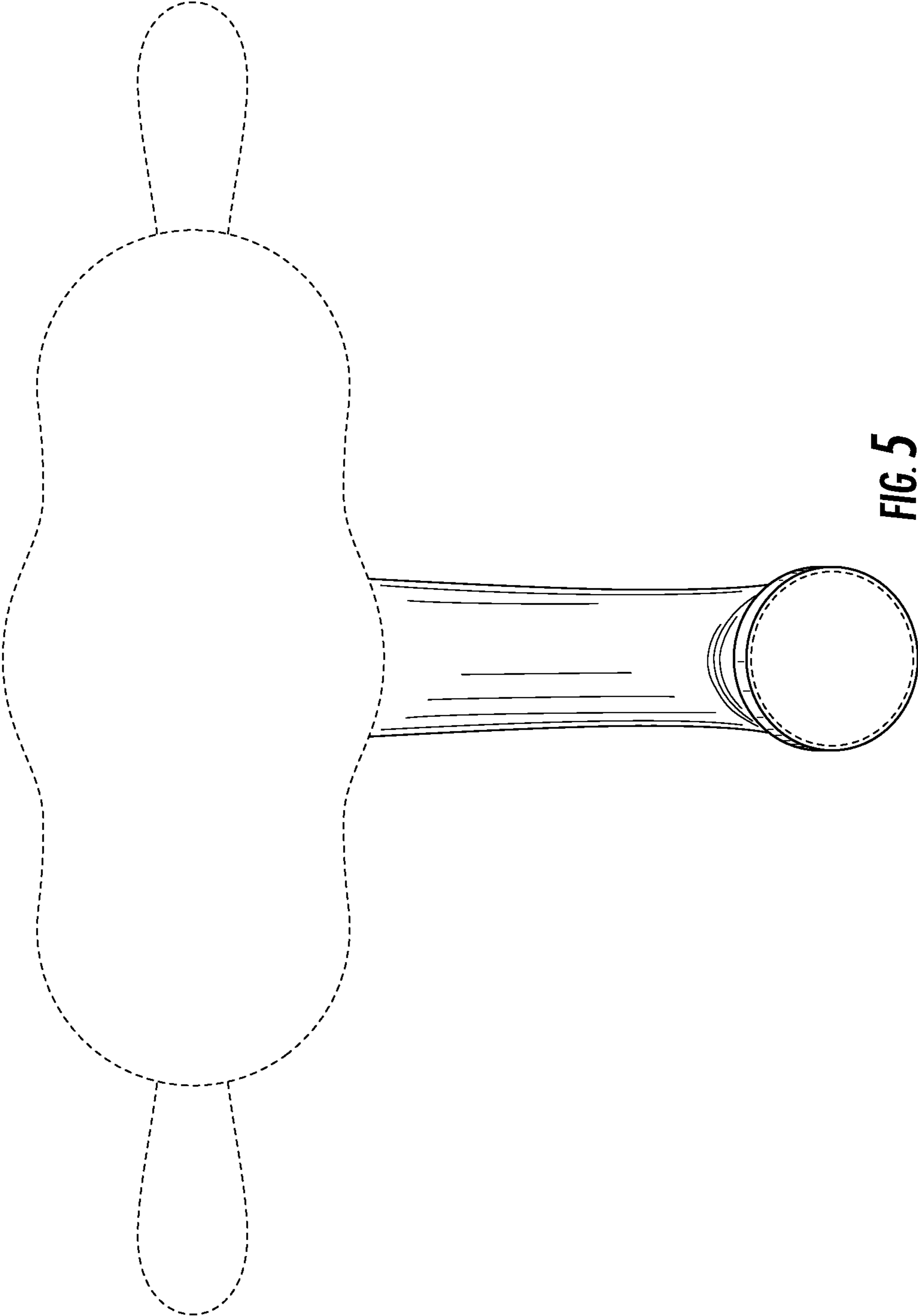
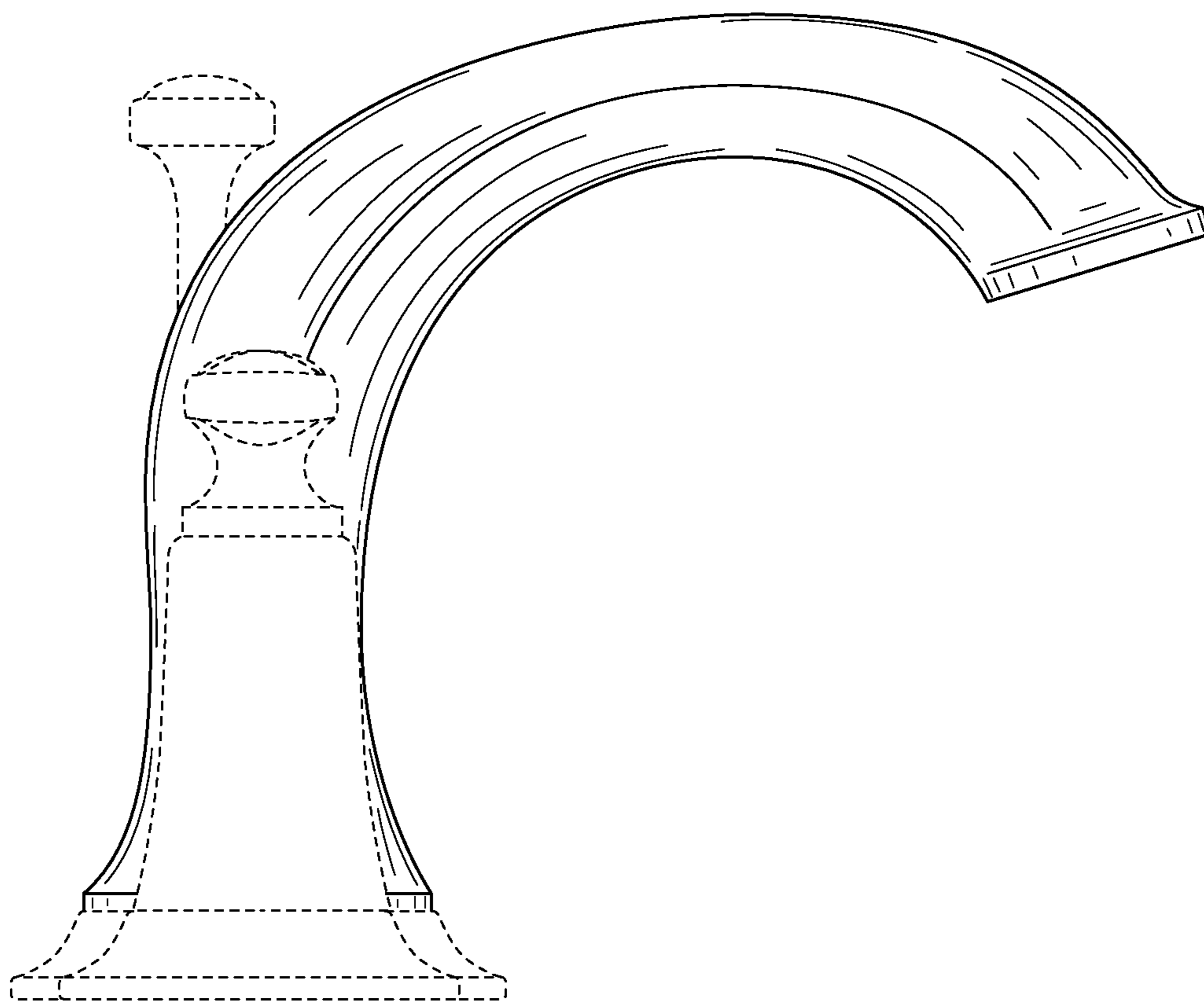
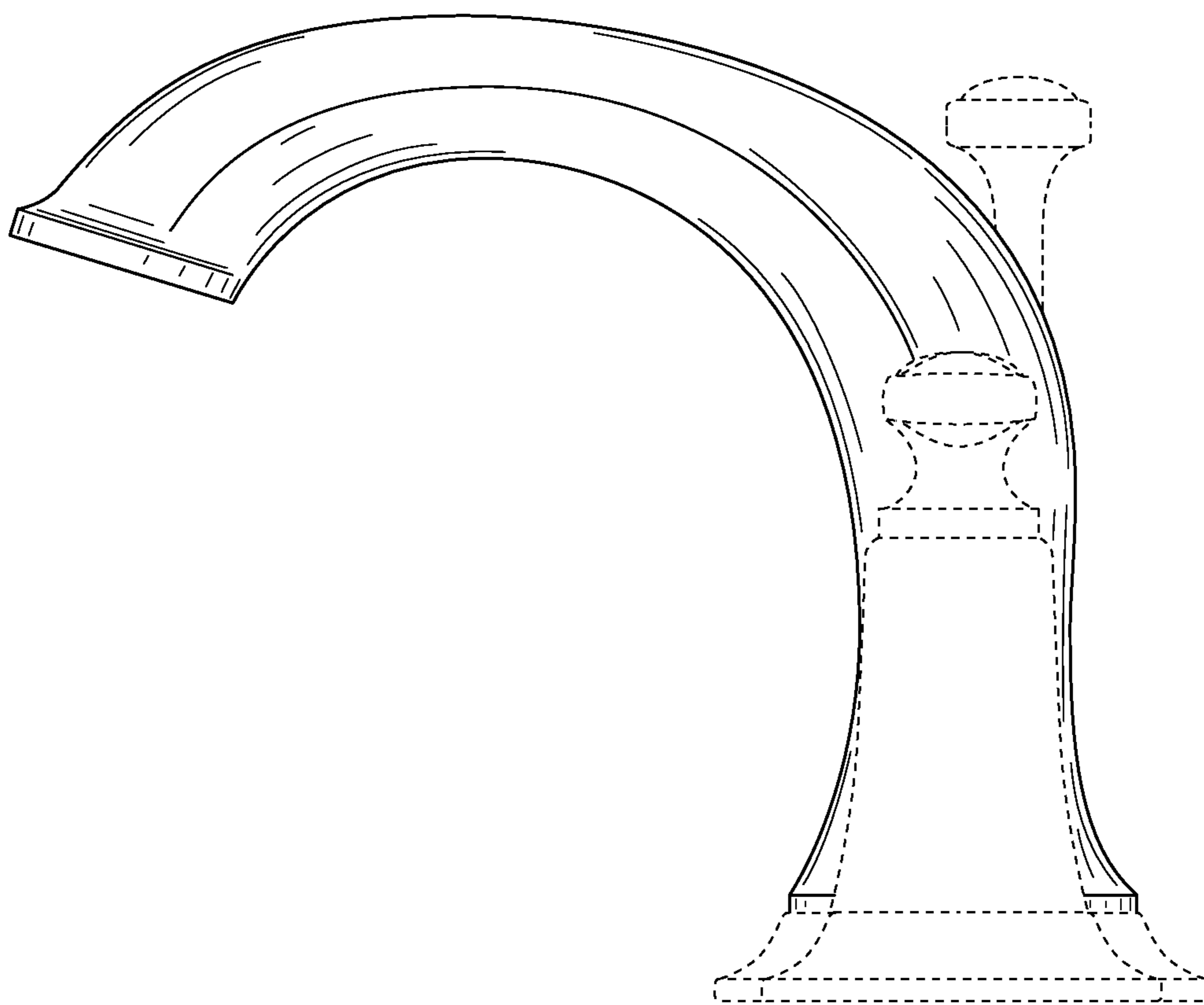


FIG. 5

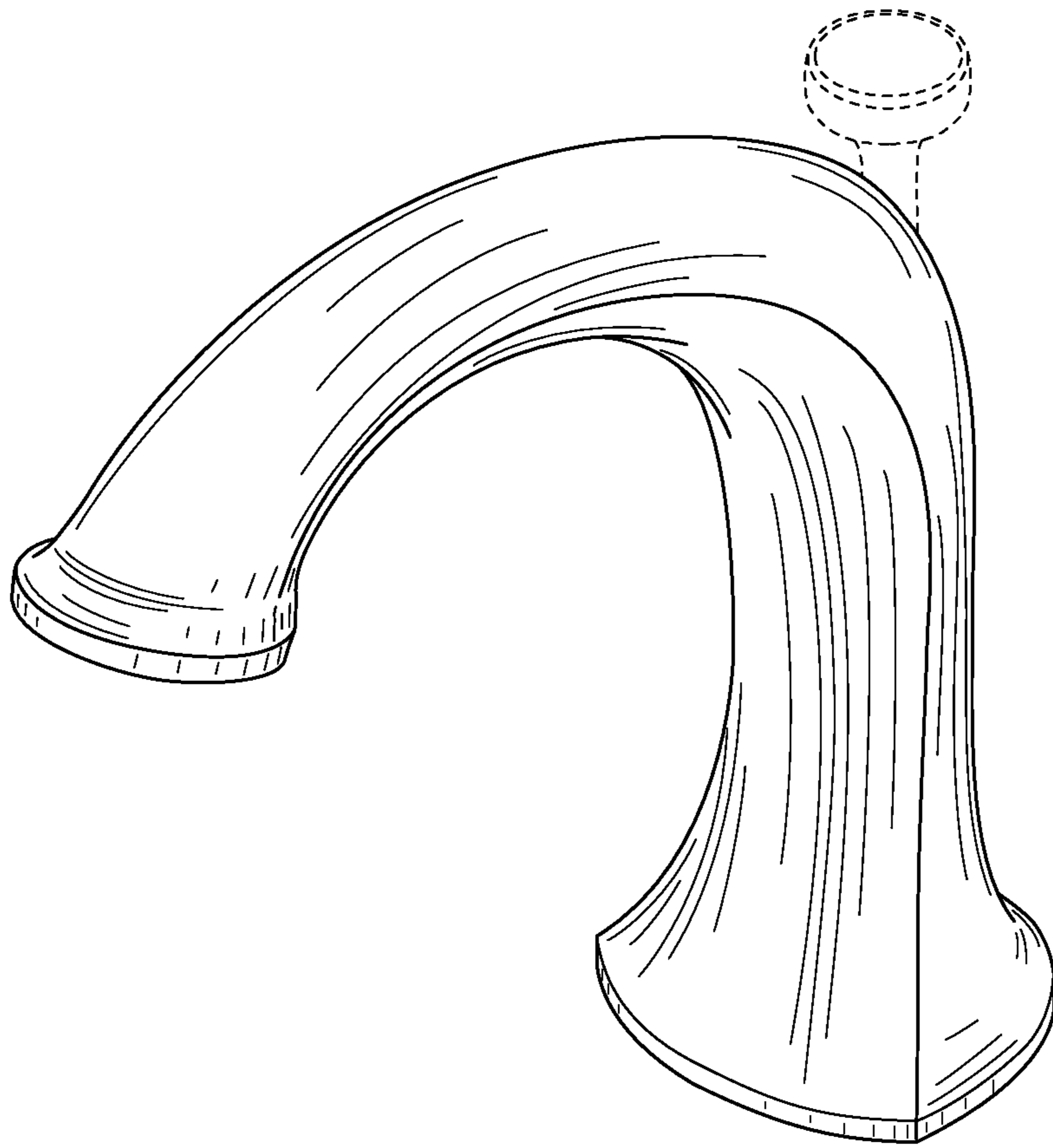


**FIG. 6**

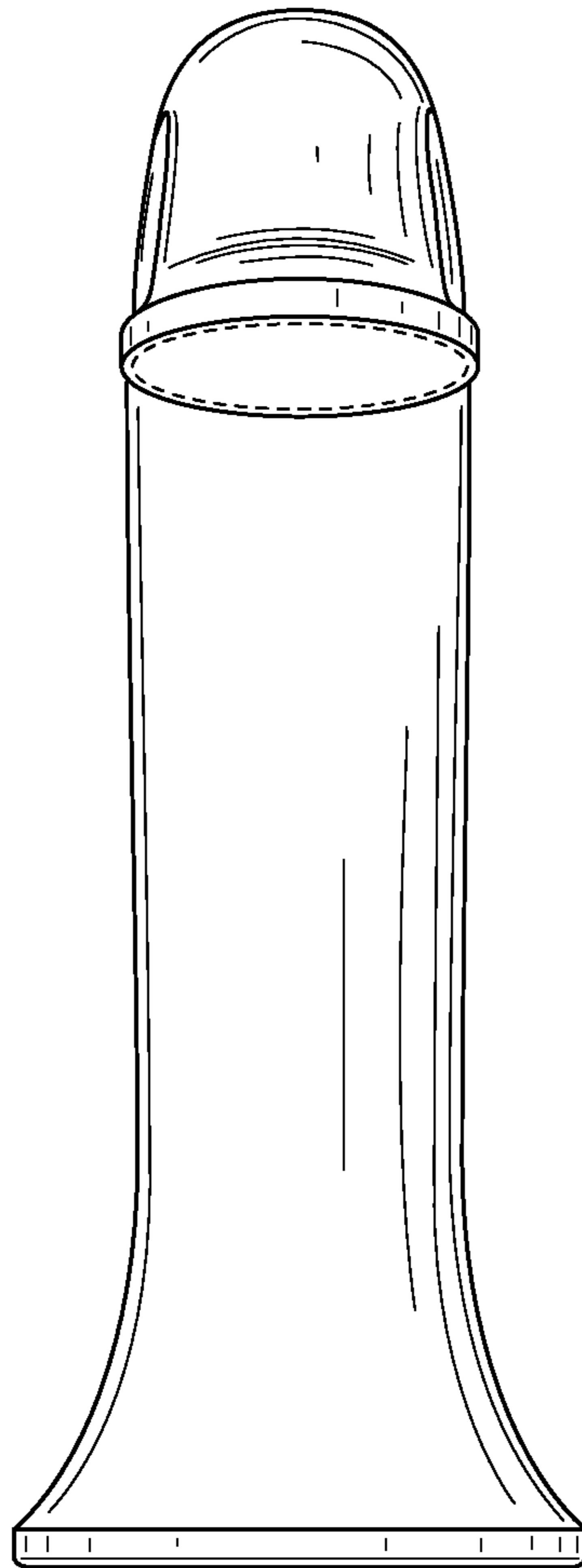


**FIG. 7**

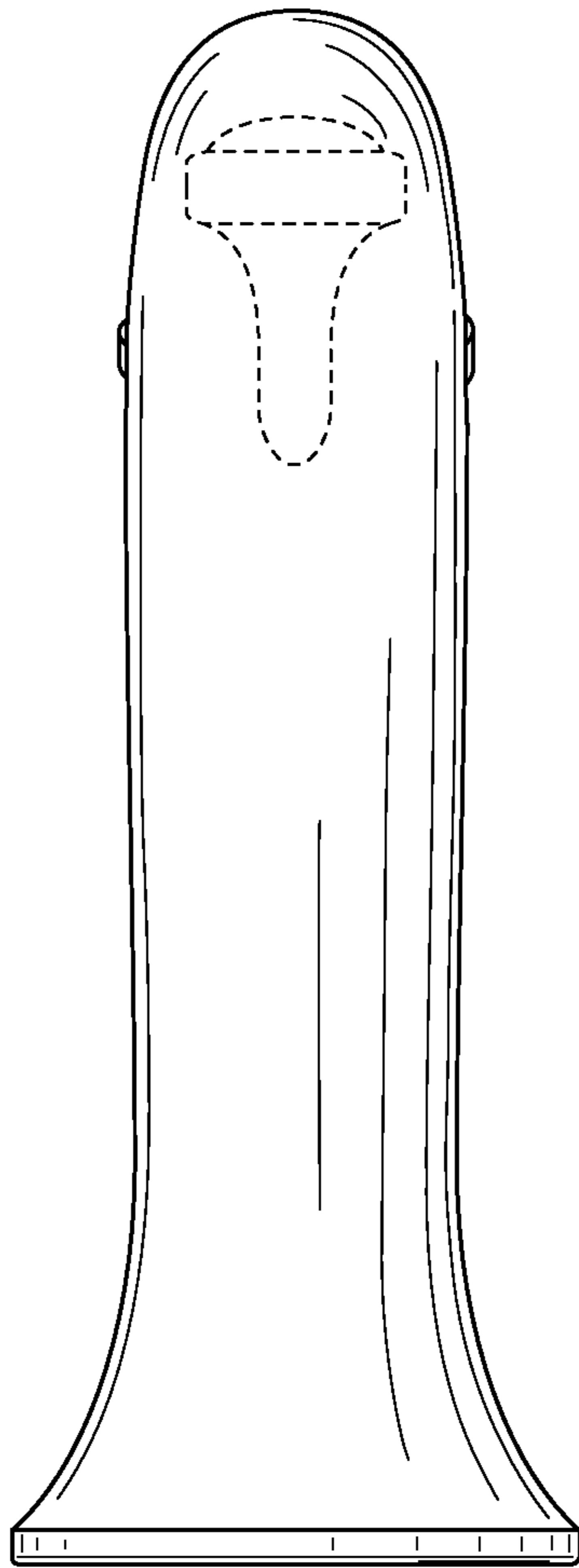




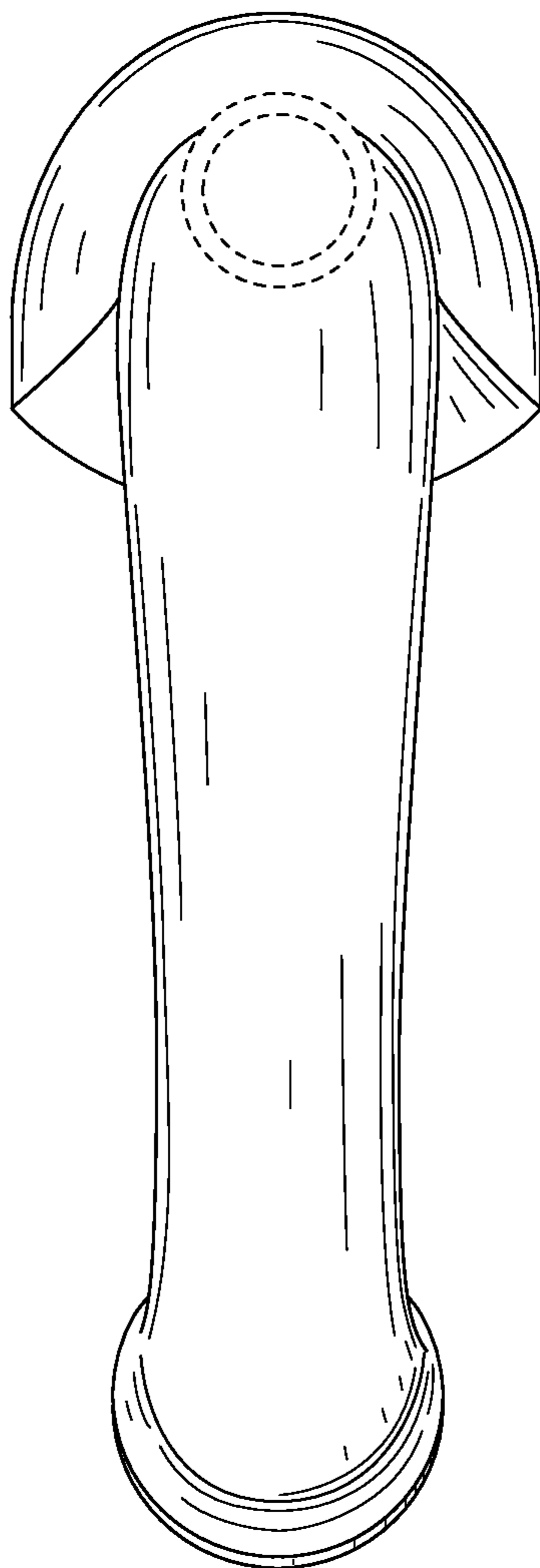
**FIG. 8**



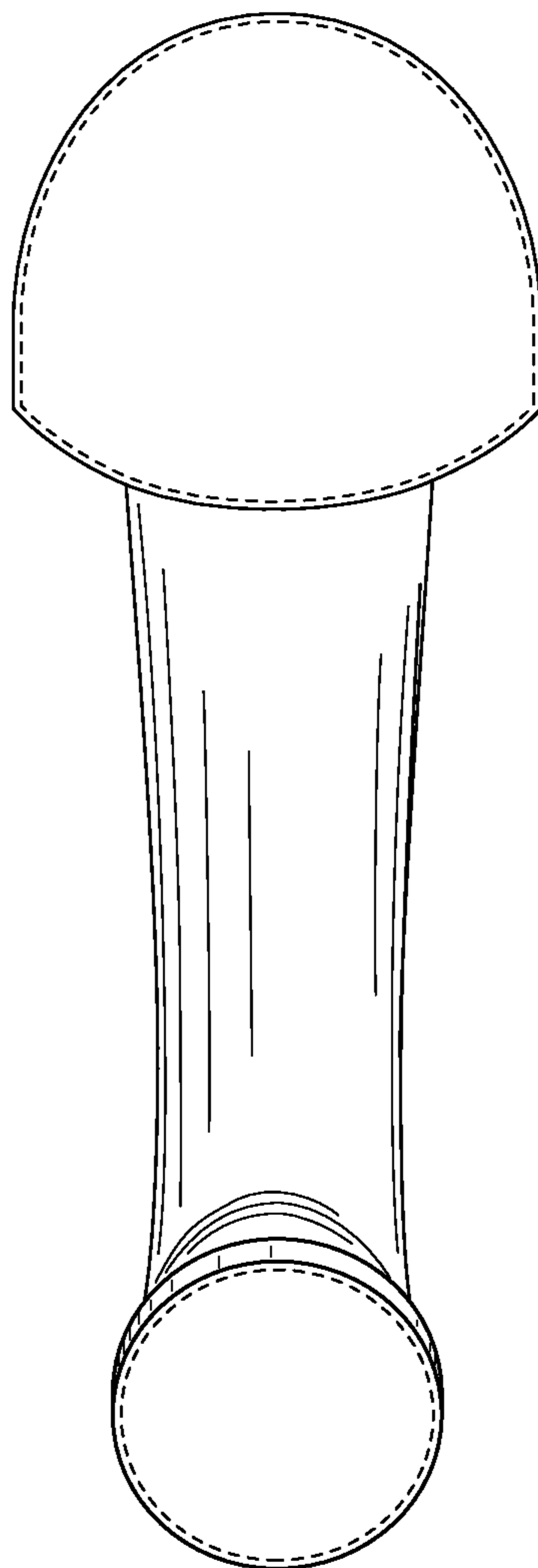
**FIG. 9**



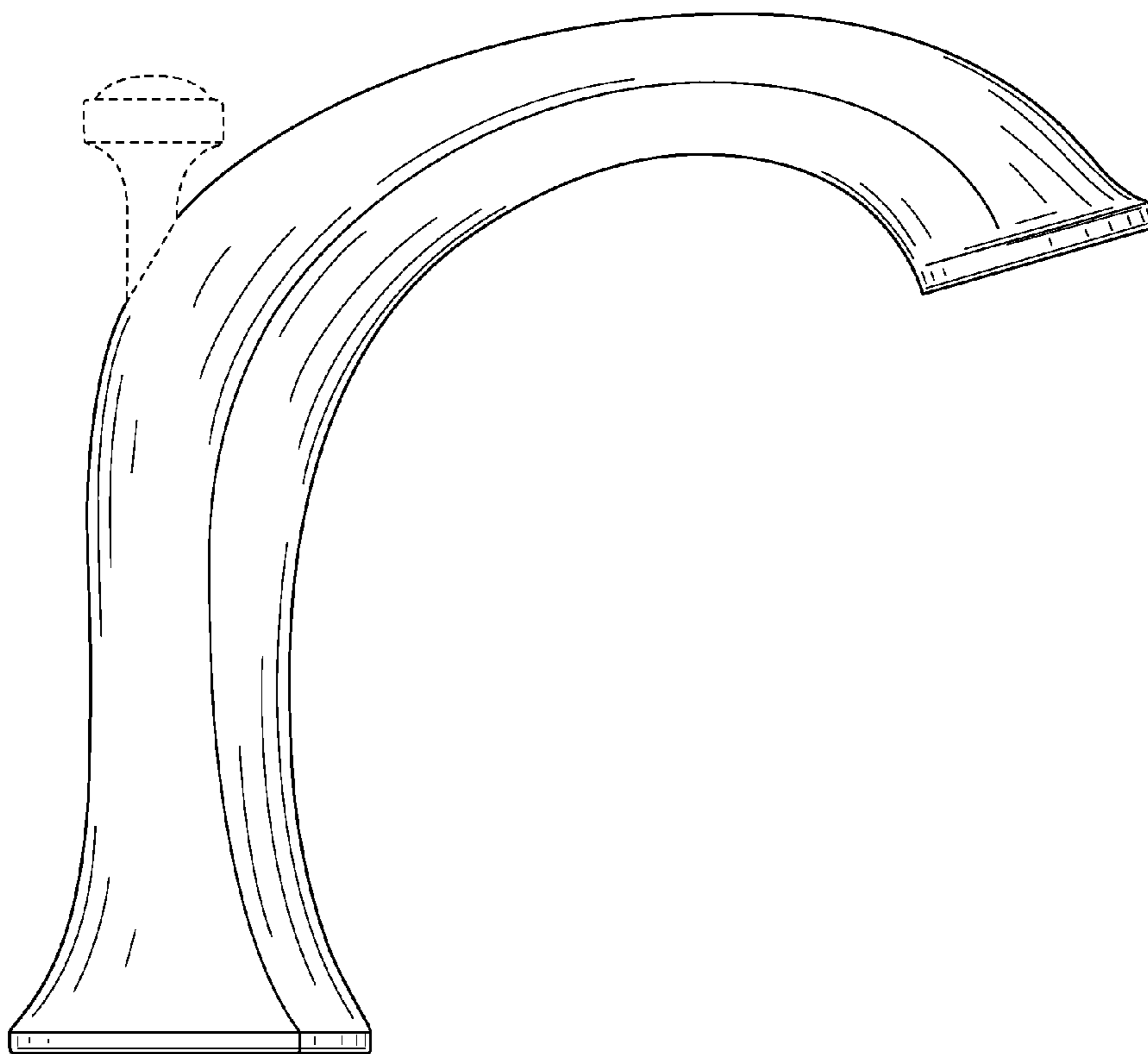
**FIG. 10**



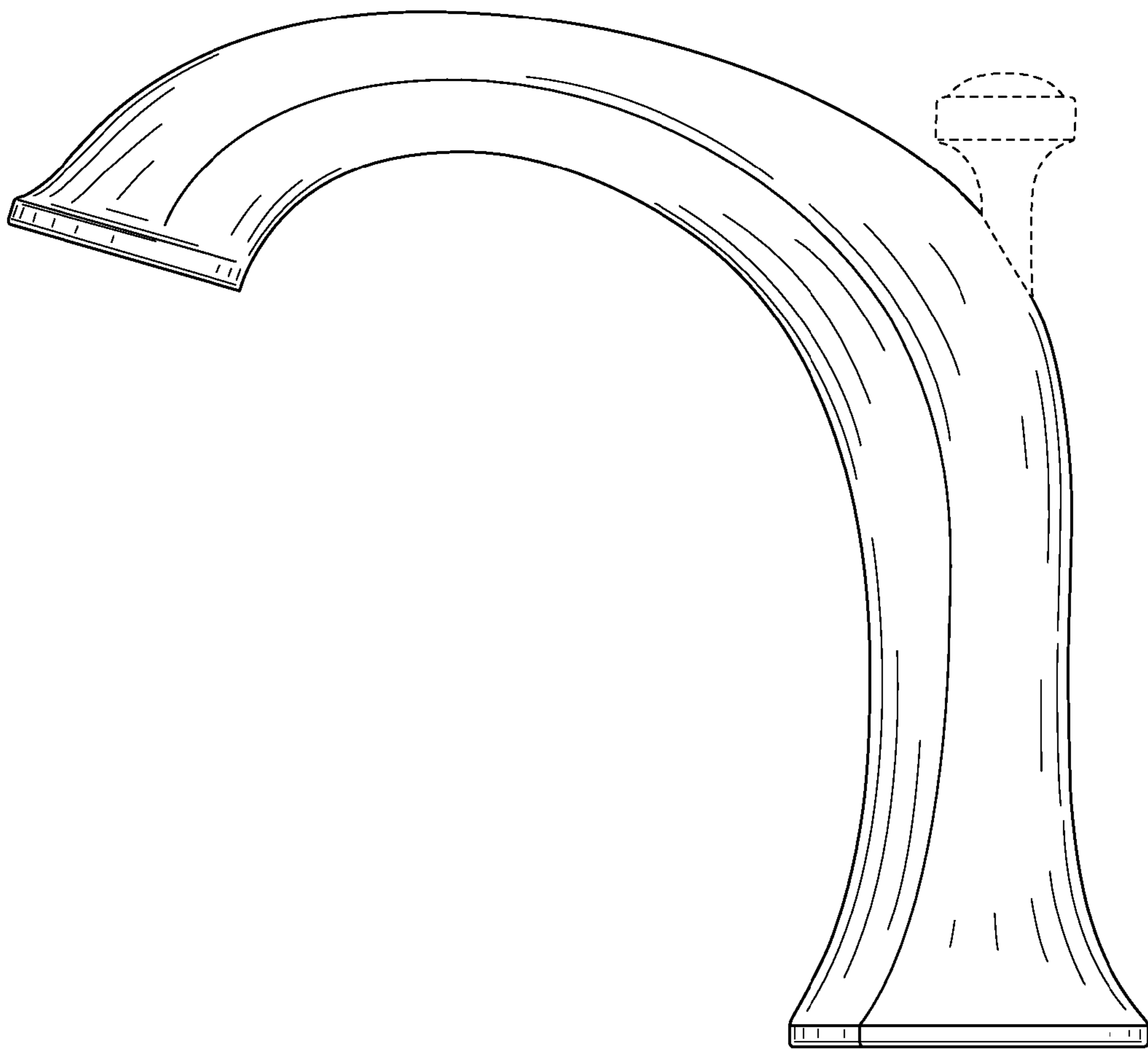
**FIG. 11**



**FIG. 12**



**FIG. 13**



**FIG. 14**