



US00D697177S

(12) **United States Design Patent**
Schoenherr et al.

(10) **Patent No.:** **US D697,177 S**
(45) **Date of Patent:** **** Jan. 7, 2014**

(54) **HANDSHOWER**

D655,386 S * 3/2012 Schoenherr et al. D23/223
D655,783 S * 3/2012 Schoenherr et al. D23/223
D669,156 S 10/2012 Schoenherr et al.

(71) Applicant: **Hansgrohe SE**, Schiltach (DE)

(72) Inventors: **Tom Schoenherr**, Stuttgart (DE);
Matthias Oesterle, Winterbach (DE)

(73) Assignee: **Hansgrohe SE**, Schiltach (DE)

(**) Term: **14 Years**

(21) Appl. No.: **29/441,704**

(22) Filed: **Jan. 9, 2013**

(30) **Foreign Application Priority Data**

Jul. 11, 2012 (EM) 001334486-0005

(51) **LOC (10) Cl.** **23-01**

(52) **U.S. Cl.**
USPC **D23/223**

(58) **Field of Classification Search**
USPC D23/213, 223, 226, 229, 230; 239/282,
239/283; 4/615

See application file for complete search history.

(56) **References Cited**

U.S. PATENT DOCUMENTS

D497,974 S 11/2004 Haug et al.
D511,809 S 11/2005 Haug et al.
D513,525 S 1/2006 Haug et al.
D590,916 S 4/2009 Schoenherr et al.
D610,231 S * 2/2010 Wu et al. D23/223
D654,983 S * 2/2012 Schoenherr et al. D23/223
D654,984 S * 2/2012 Schoenherr et al. D23/223
D655,384 S * 3/2012 Schoenherr et al. D23/223

FOREIGN PATENT DOCUMENTS

EM 000661491-0001 1/2007
EM 000756341-0001 7/2007
EM 000756341-0002 7/2007
EM 001256937-0001 1/2011
EM 001256937-0002 1/2011
EM 001256937-0003 1/2011
EM 001291603-0002 9/2011

OTHER PUBLICATIONS

Brochure—Bright Showers, 3 pgs., Xiamen Bright Showers Co., Ltd., Xiamen, China (at least as early as May 23, 2012).
Brochure—Bossini High Quality Shower Systems, 3 pgs., Bossini spa, Castenedolo (Brescia), Italy (at least as early as Sep. 29, 2009).

* cited by examiner

Primary Examiner — Robin V Webster

(74) *Attorney, Agent, or Firm* — Lora J. Graentzdoerffer

(57) **CLAIM**

The ornamental design for a handshower, as shown and described.

DESCRIPTION

FIG. 1 is a perspective view of a handshower showing our design;
FIG. 2 is a front elevational view thereof;
FIG. 3 is a rear elevational view thereof;
FIG. 4 is a left side elevational view thereof;
FIG. 5 is a right side elevational view thereof;
FIG. 6 is a top plan view thereof; and,
FIG. 7 is a bottom plan view thereof.

1 Claim, 7 Drawing Sheets

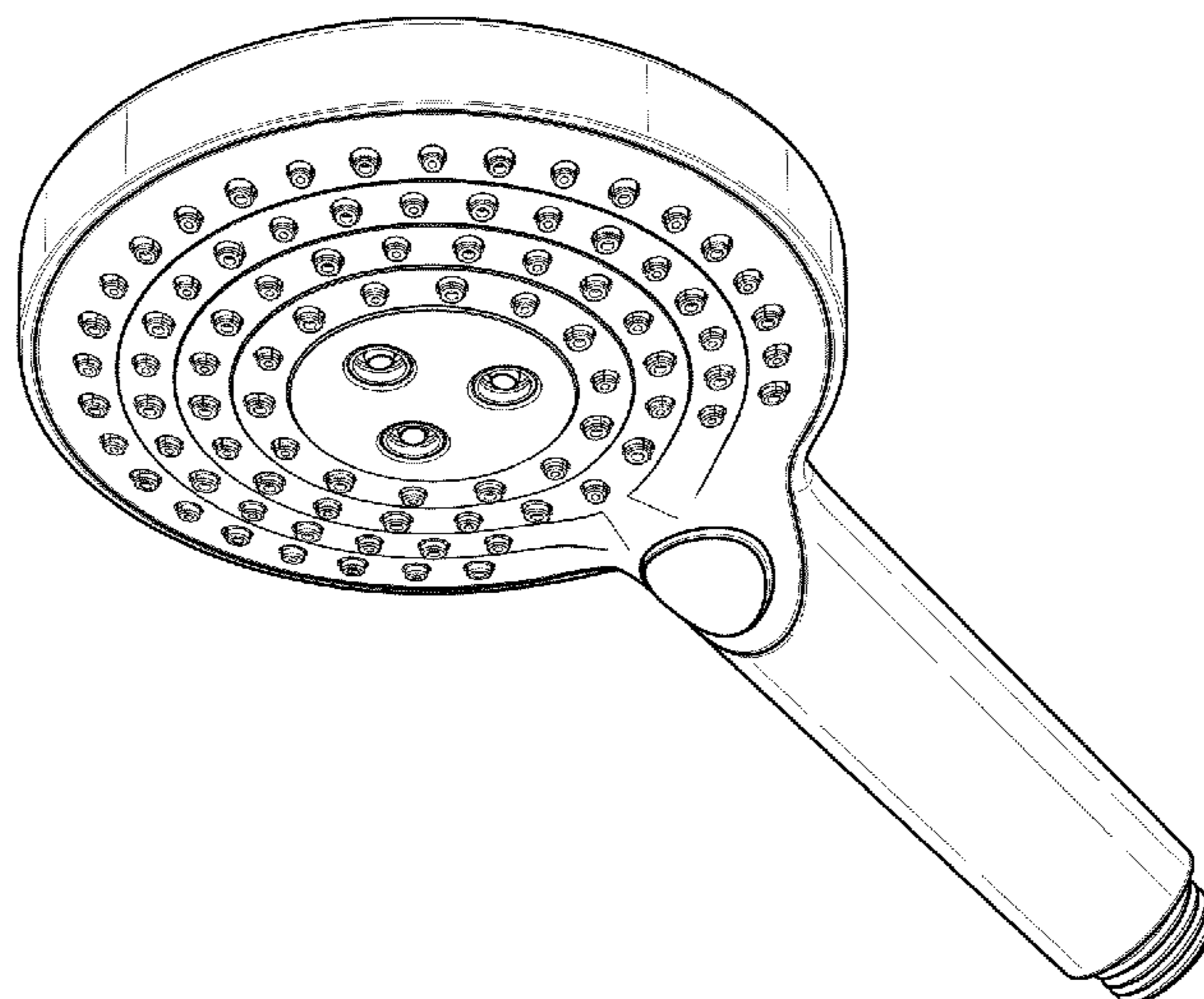


FIG. 1

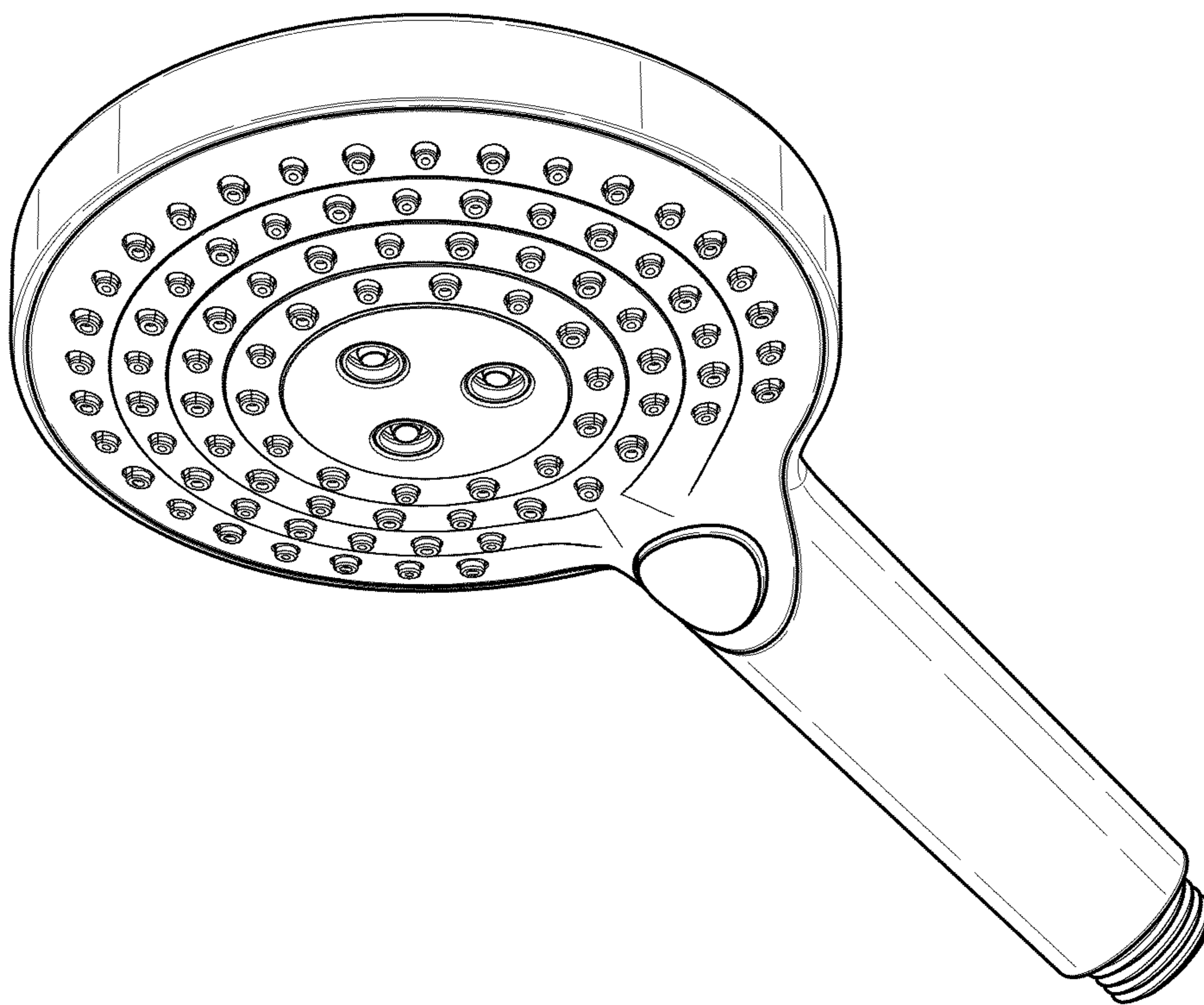


FIG. 2

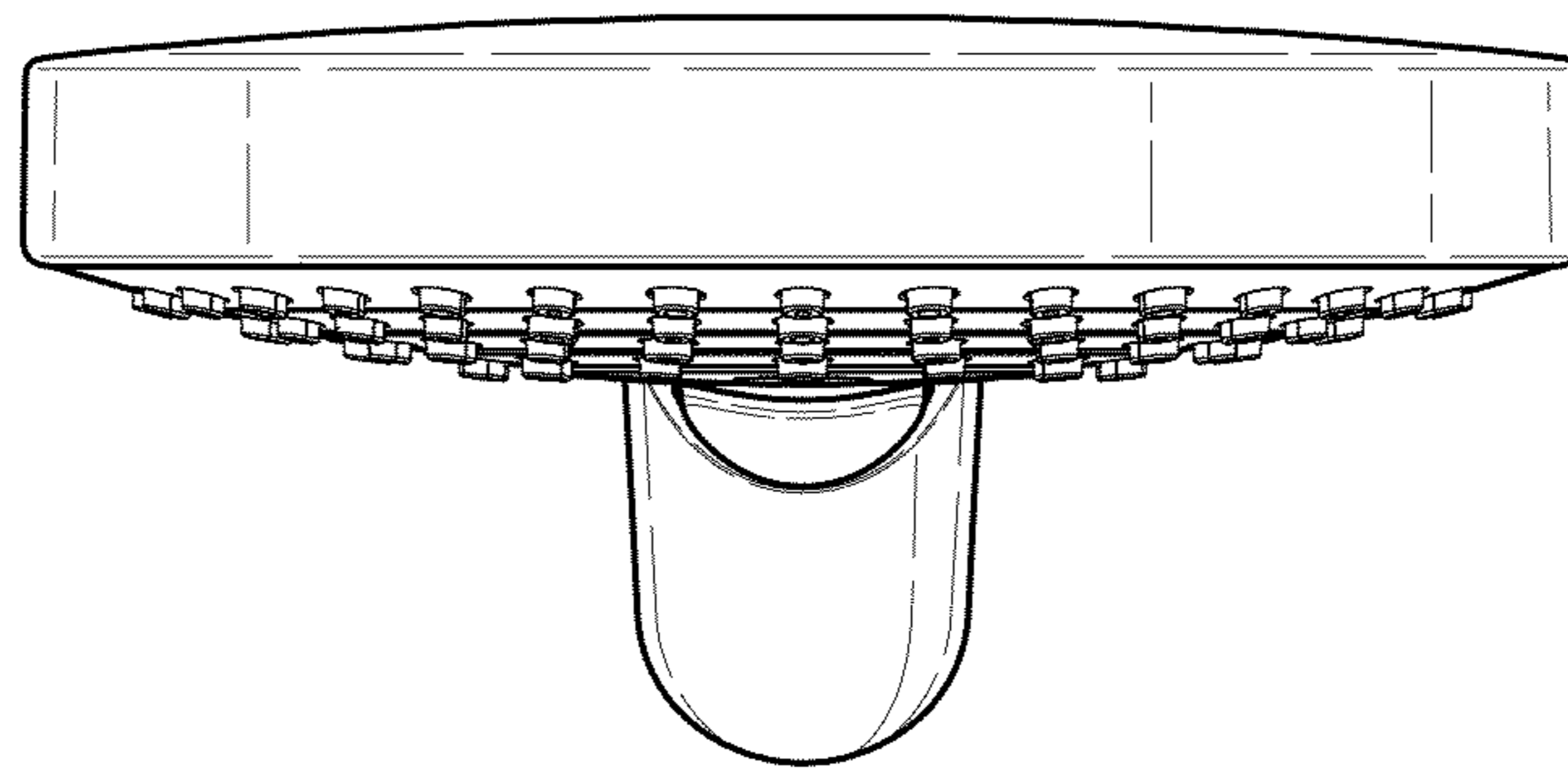


FIG. 3

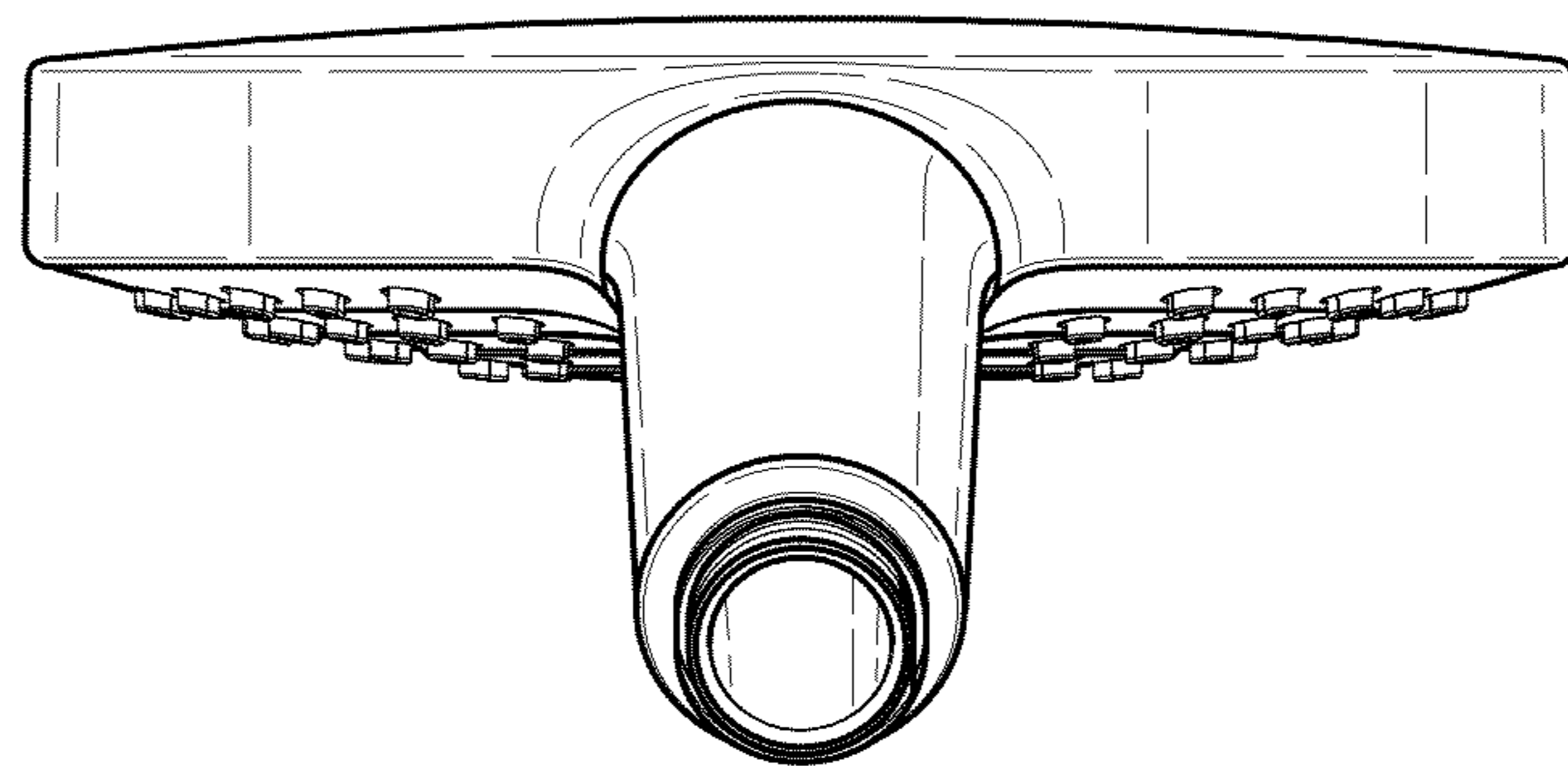


FIG. 4

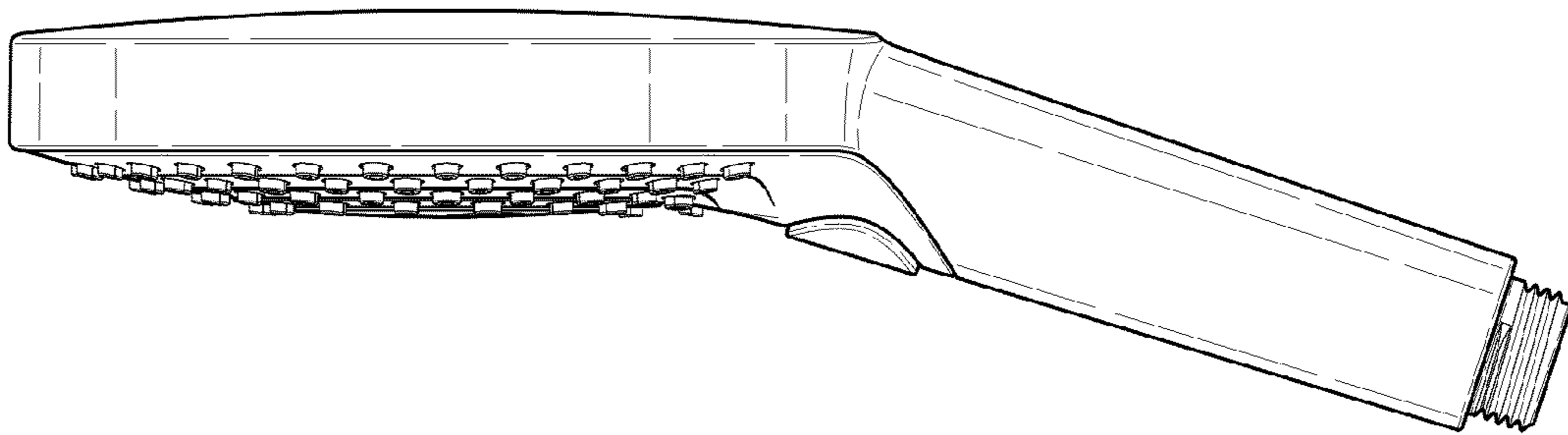


FIG. 5

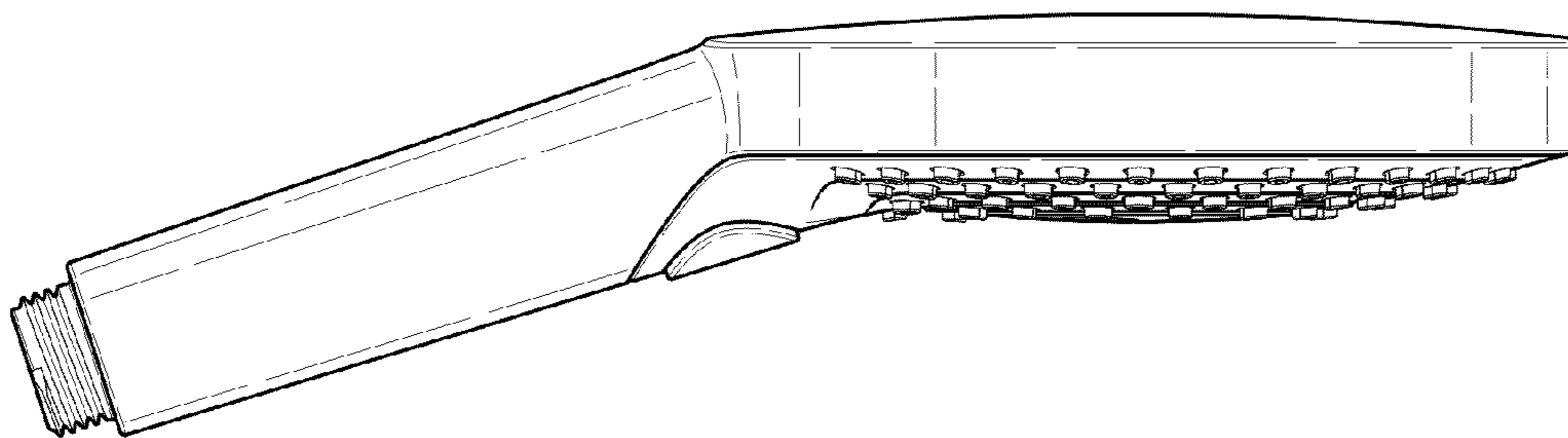


FIG. 6



FIG. 7

