

US00D697176S

(12) **United States Design Patent**  
**Kah, Jr. et al.**

(10) **Patent No.:** **US D697,176 S**  
(45) **Date of Patent:** **\*\* Jan. 7, 2014**

(54) **ROTARY NOZZLE HEAD**  
(71) Applicants: **Carl L. C. Kah, Jr.**, North Palm Beach, FL (US); **Carl L. C. Kah, III**, North Palm Beach, FL (US)

(72) Inventors: **Carl L. C. Kah, Jr.**, North Palm Beach, FL (US); **Carl L. C. Kah, III**, North Palm Beach, FL (US)

(\*\*) Term: **14 Years**

(21) Appl. No.: **29/454,804**

(22) Filed: **May 14, 2013**

**Related U.S. Application Data**

(62) Division of application No. 29/402,053, filed on Sep. 20, 2011, now Pat. No. Des. 682,391.

(51) **LOC (10) Cl.** ..... **23-01**

(52) **U.S. Cl.**  
USPC ..... **D23/214**

(58) **Field of Classification Search**  
USPC ..... D23/213-218; 239/276, 200-206, 542, 239/DIG. 1, 237, 210  
See application file for complete search history.

(56) **References Cited**

**U.S. PATENT DOCUMENTS**

D241,249 S \* 8/1976 Elek ..... D23/218  
D264,491 S \* 5/1982 Hunter ..... D23/218

D293,815 S \* 1/1988 Scott et al. .... D23/218  
D388,502 S \* 12/1997 Kah, III ..... D23/214  
6,145,758 A \* 11/2000 Ogi et al. .... 239/457  
6,814,304 B2 \* 11/2004 Onofrio ..... 239/201  
6,942,164 B2 \* 9/2005 Walker ..... 239/204  
D527,791 S \* 9/2006 Onofrio et al. .... D23/214

\* cited by examiner

*Primary Examiner* — Robin V Webster

(74) *Attorney, Agent, or Firm* — Ostrolenk Faber LLP

(57) **CLAIM**

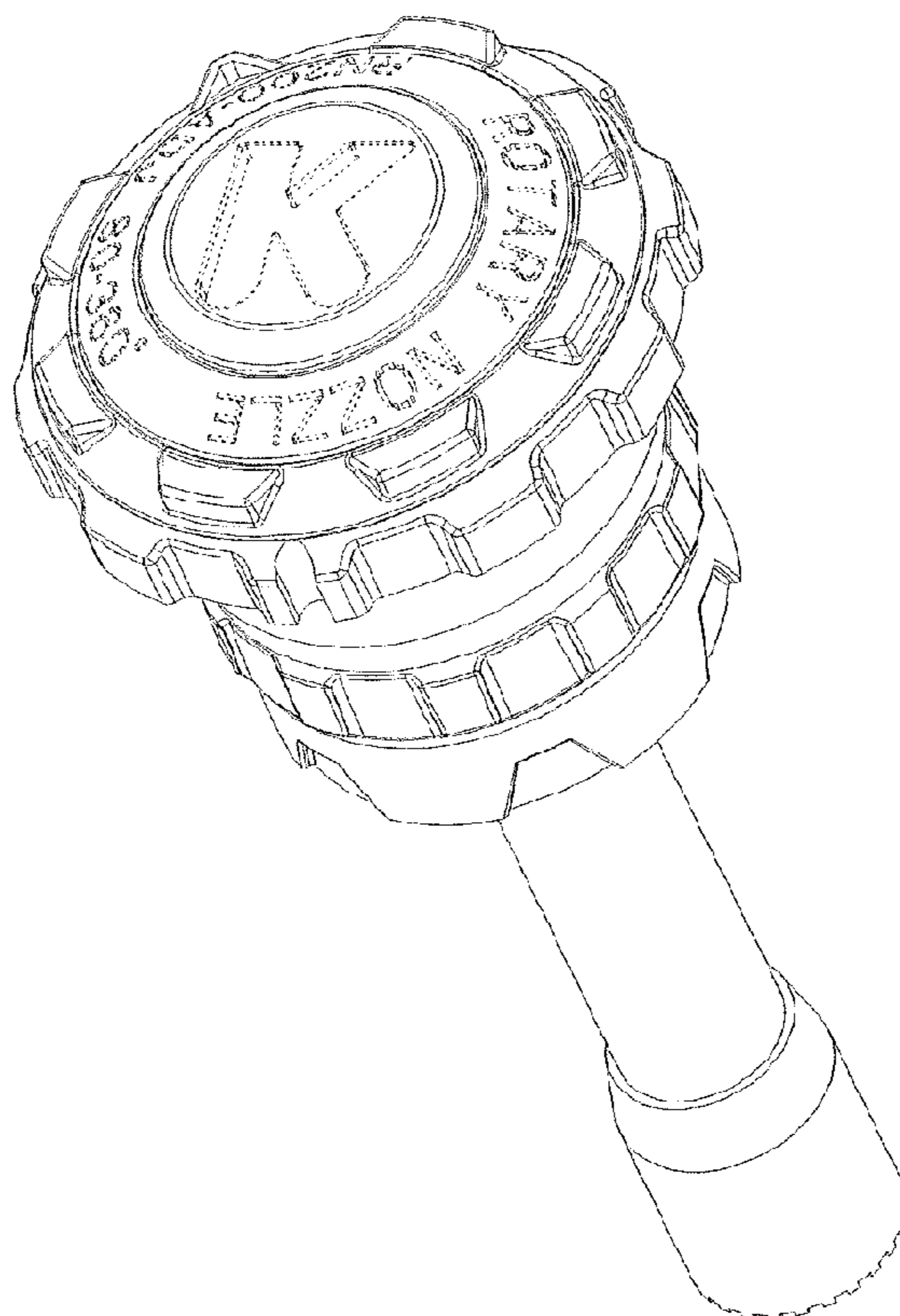
The ornamental design for a rotary nozzle head, as shown and described.

**DESCRIPTION**

FIG. 1 is a perspective view of a rotary nozzle head showing our new design;  
FIG. 2 is a top plan view thereof;  
FIG. 3 is a bottom plan view thereof;  
FIG. 4 is a front view thereof;  
FIG. 5 is a rear view thereof;  
FIG. 6 is a right side view thereof; and,  
FIG. 7 is a left side view thereof.

The broken lines show environmental matter that forms no part of the claimed design.

**1 Claim, 7 Drawing Sheets**



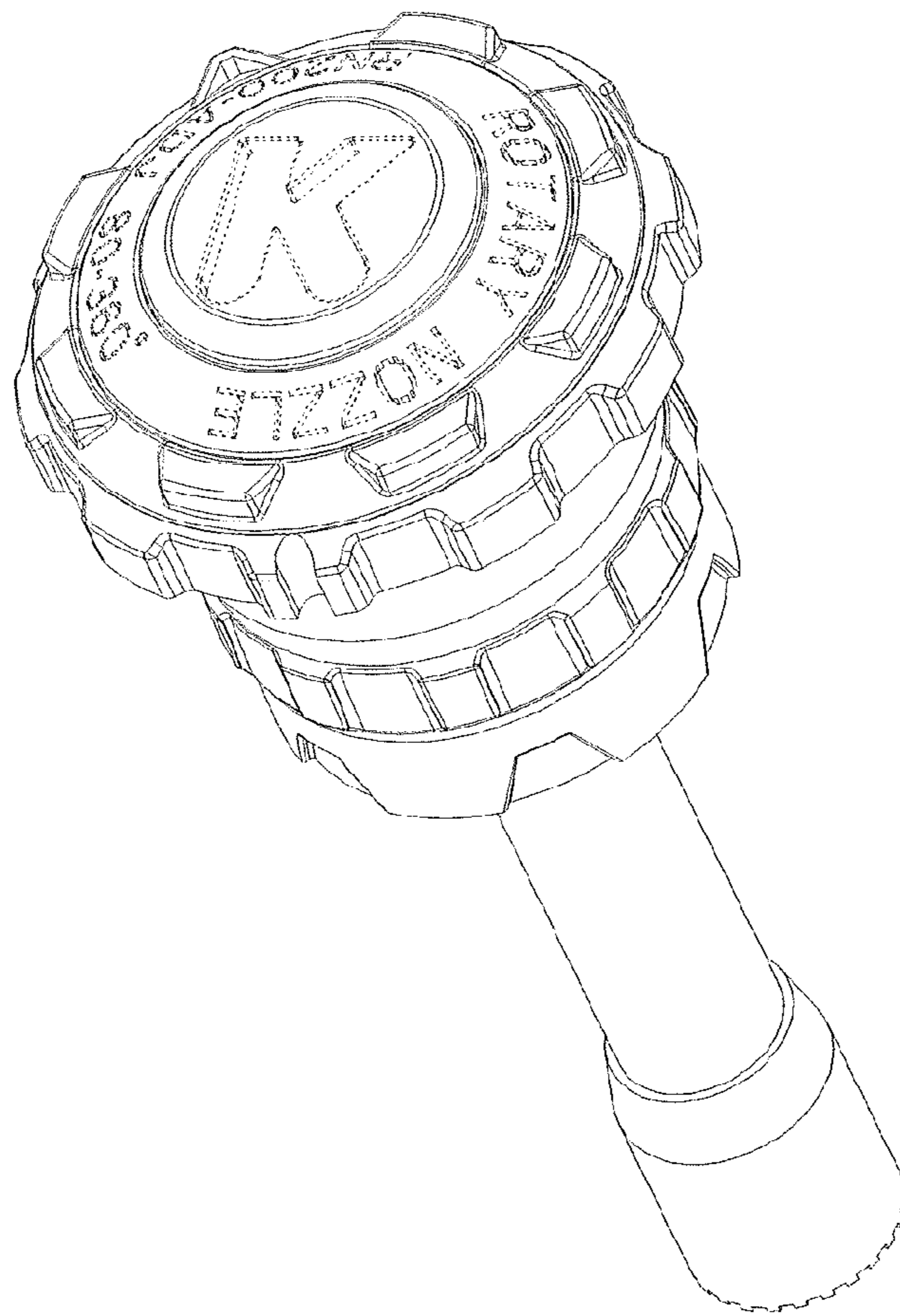


Fig. 1

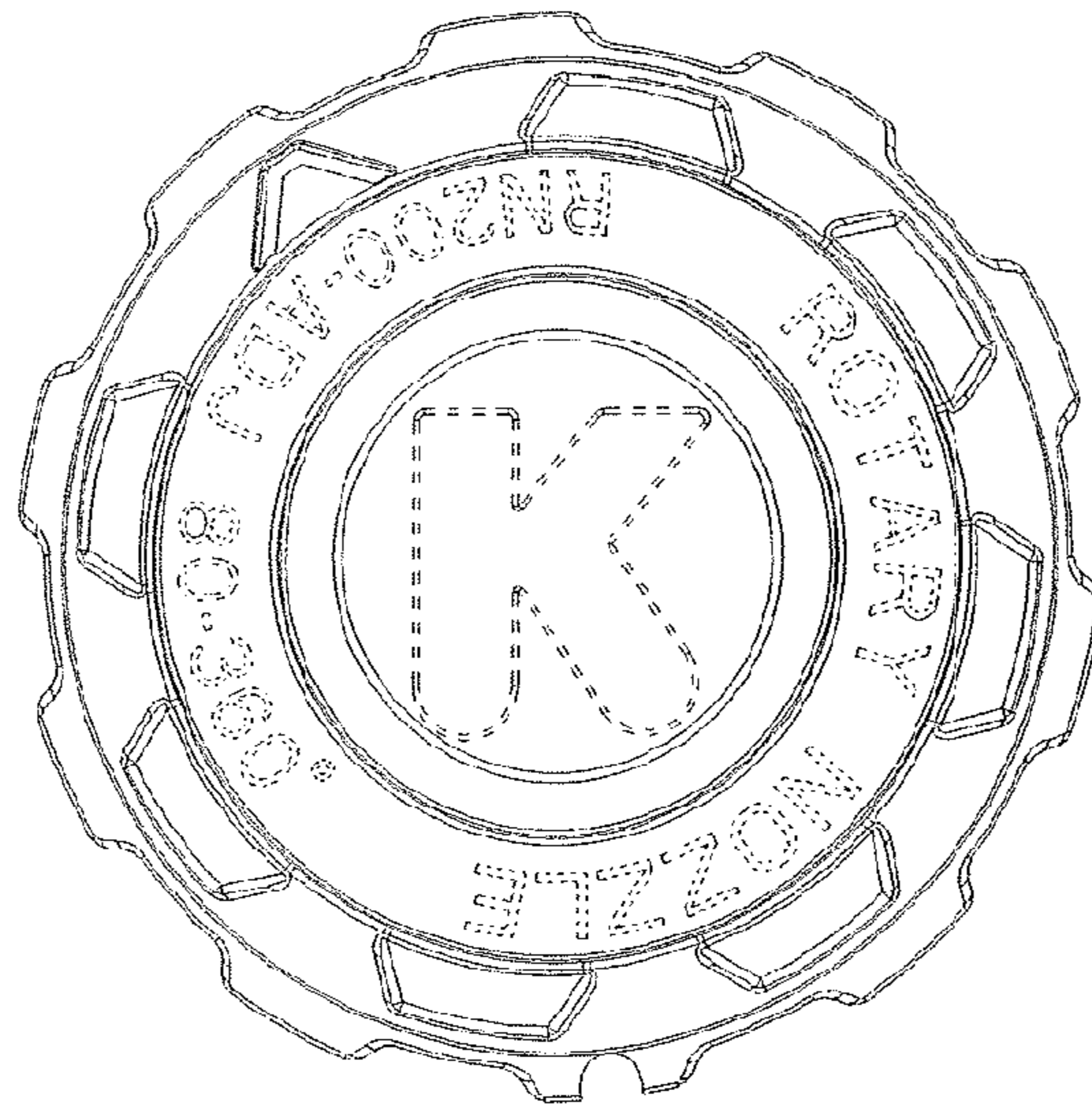


Fig. 2

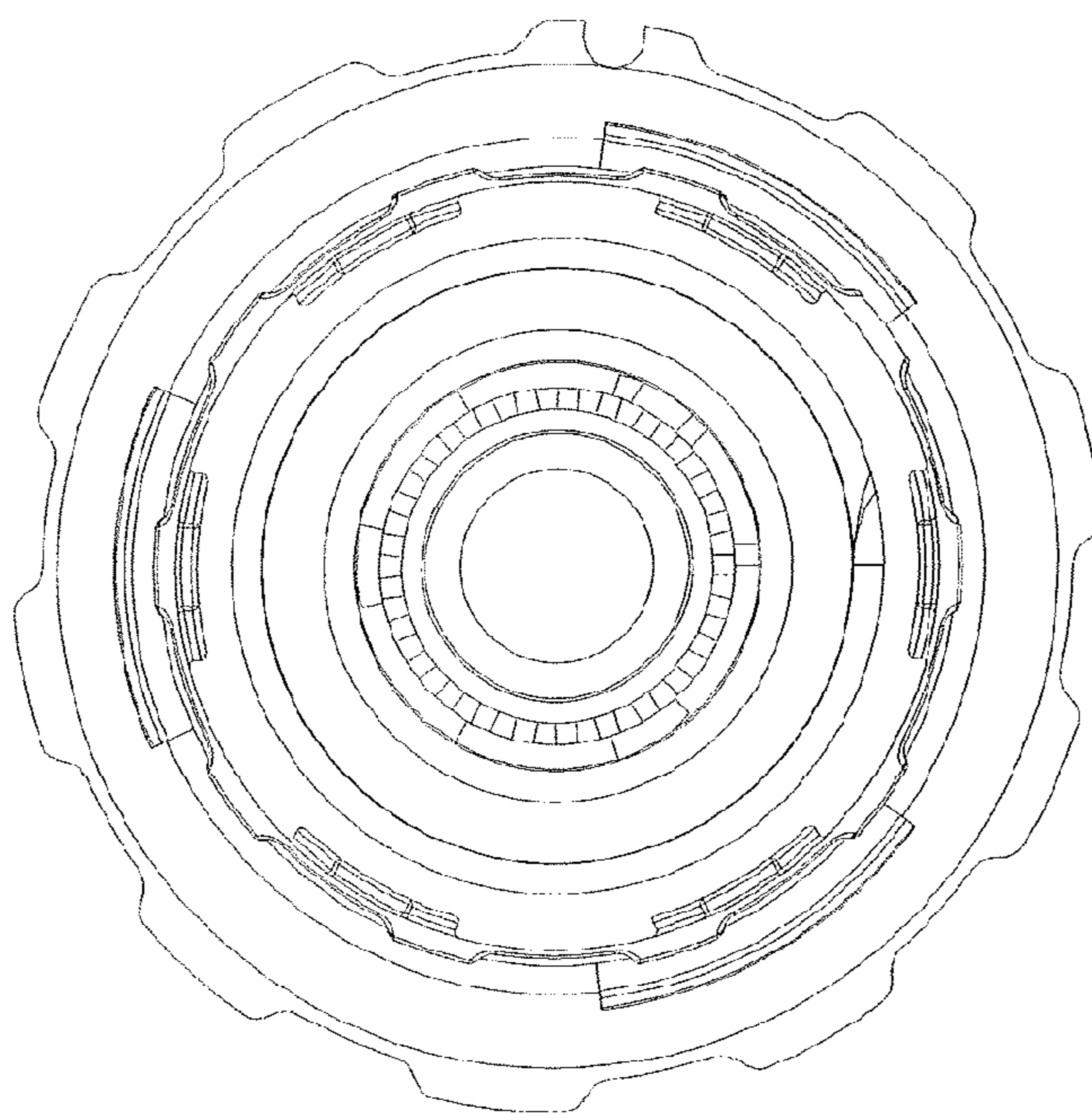


Fig. 3

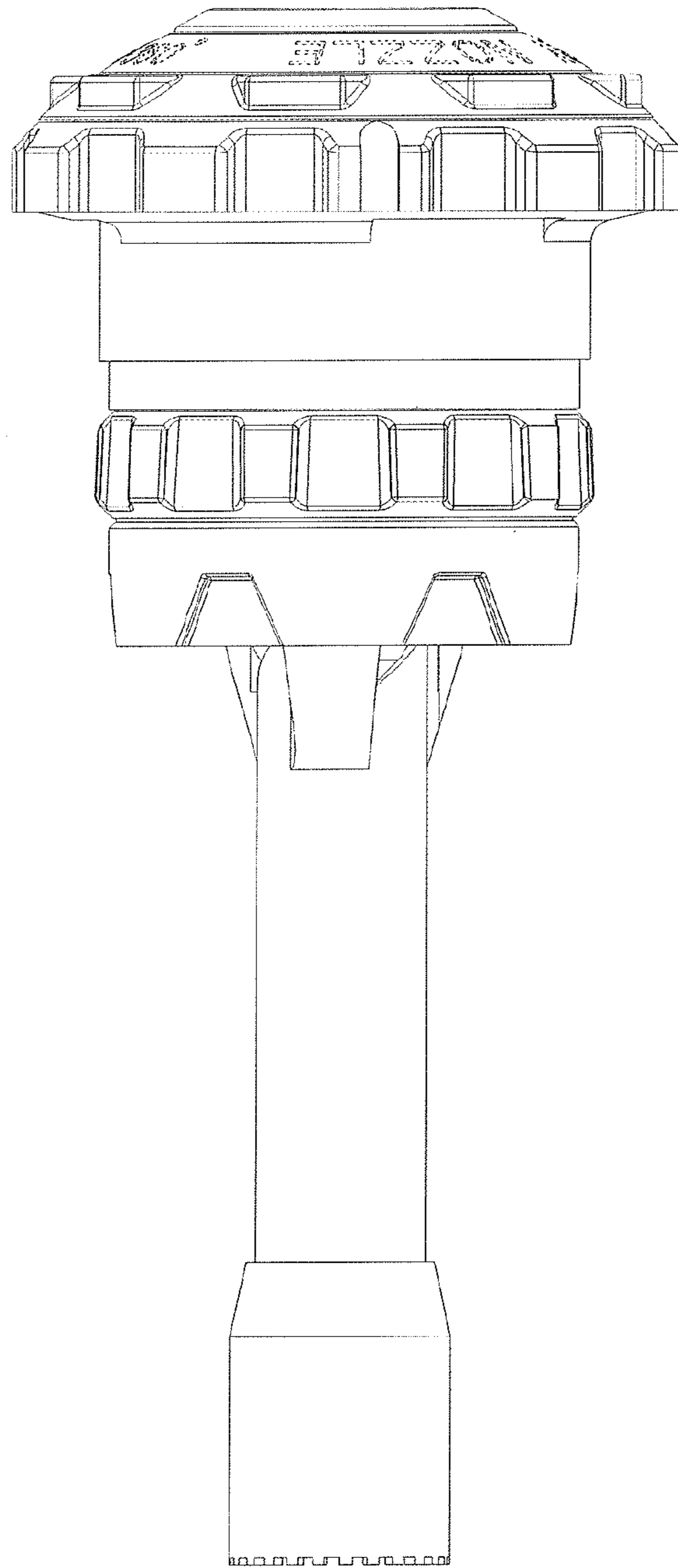


Fig. 4

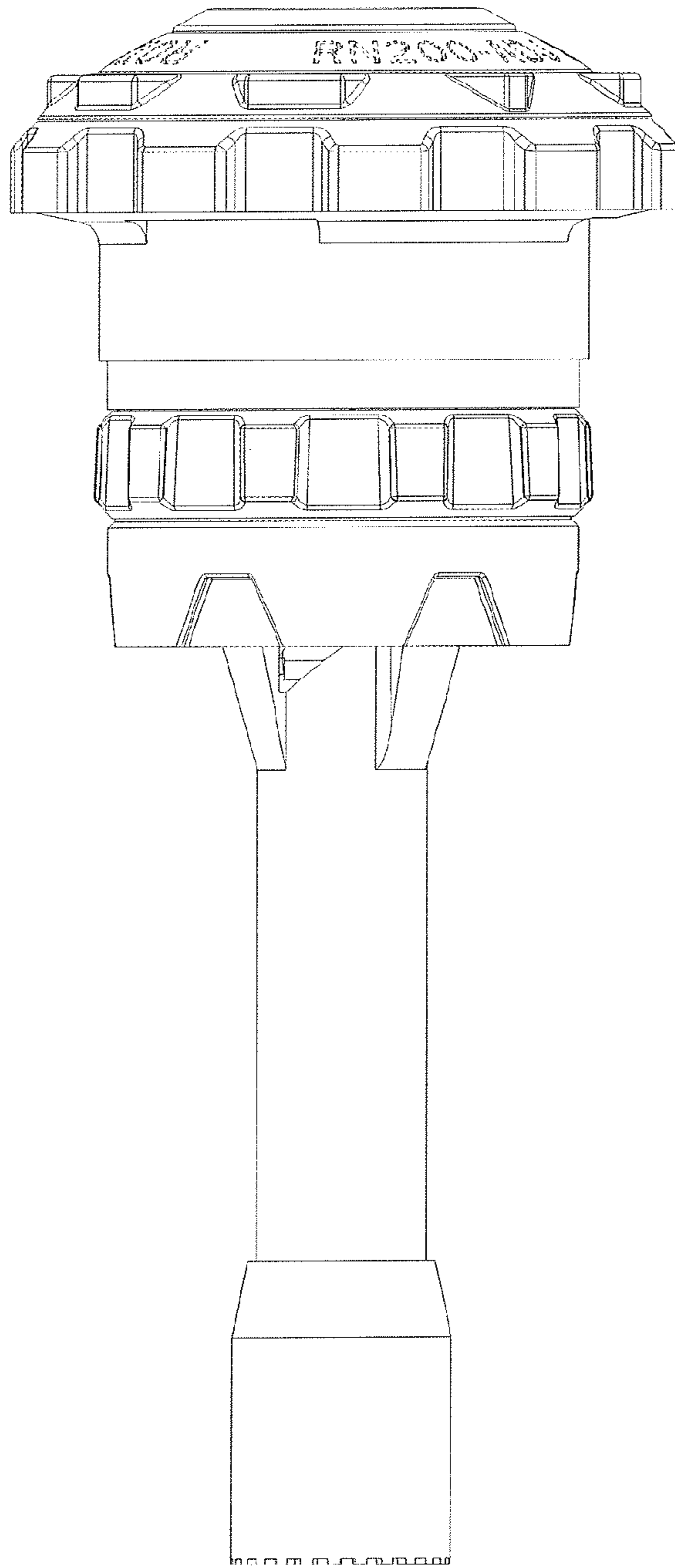


Fig. 5

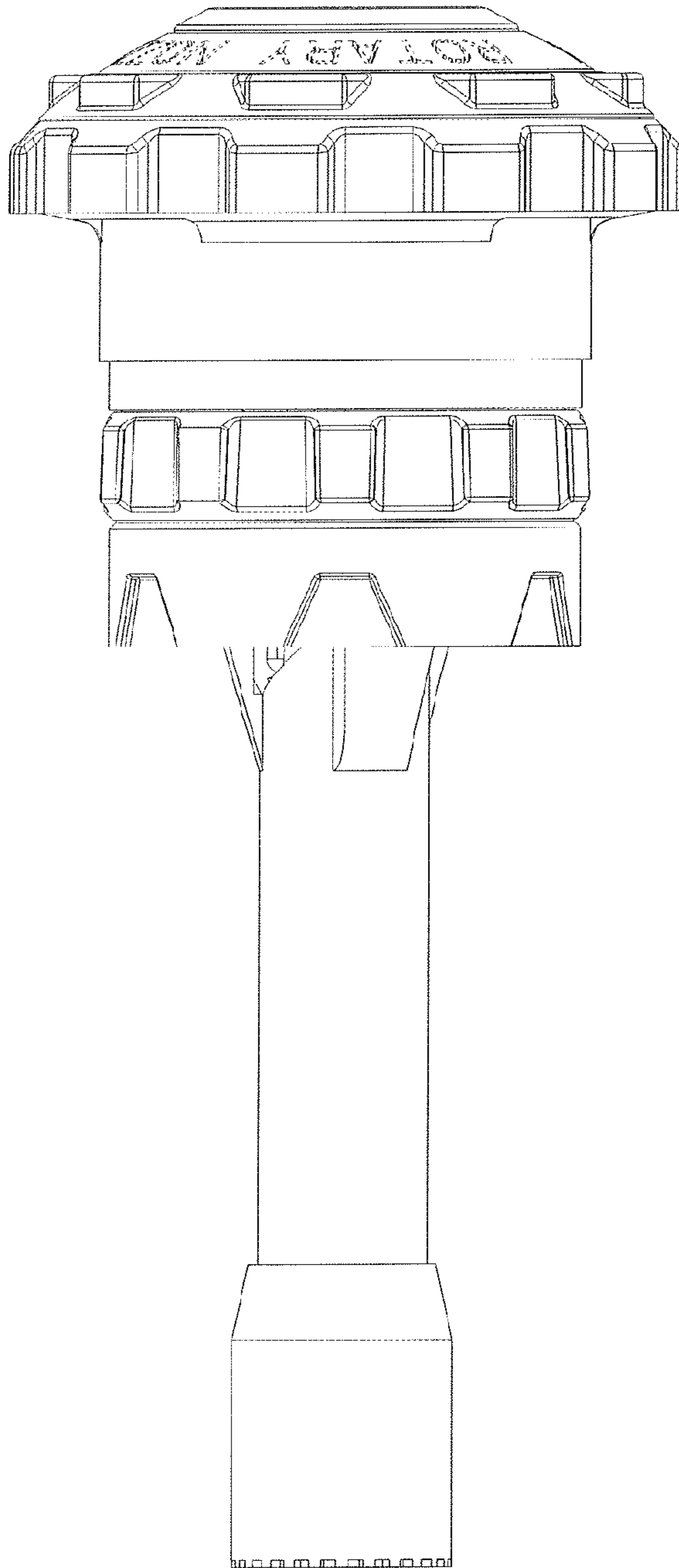


Fig. 6

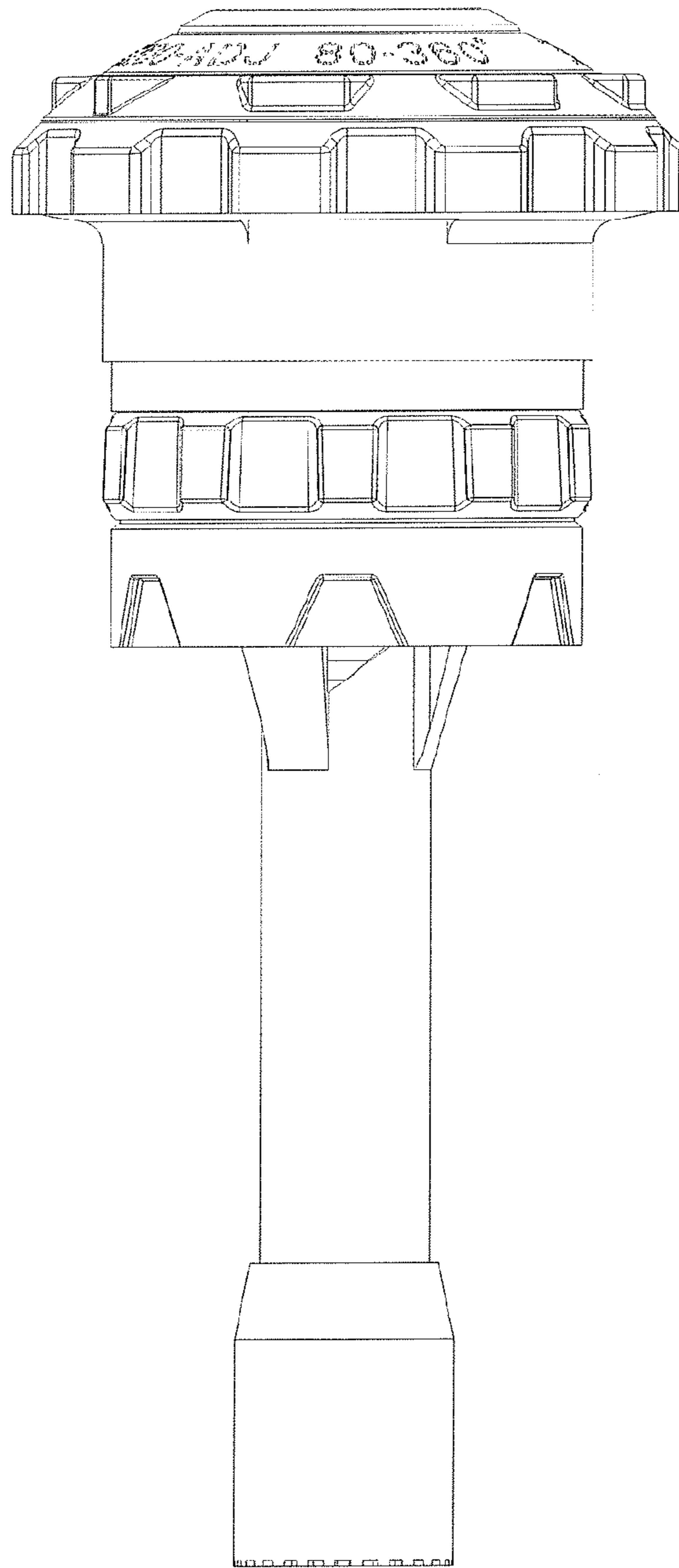


Fig. 7