



US00D697175S

(12) **United States Design Patent**
Grether

(10) **Patent No.:** **US D697,175 S**
(45) **Date of Patent:** **** Jan. 7, 2014**

(54) **FLOW REGULATOR**

- (71) Applicant: **Neoperl GmbH**, Mullheim (DE)
- (72) Inventor: **Hermann Grether**, Mullheim (DE)
- (73) Assignee: **Neoperl GmbH**, Mullheim (DE)
- (**) Term: **14 Years**
- (21) Appl. No.: **29/458,288**
- (22) Filed: **Jun. 18, 2013**

Related U.S. Application Data

- (62) Division of application No. 29/397,968, filed on Jul. 25, 2011.

Foreign Application Priority Data

- Feb. 9, 2011 (EM) 001259394
 - (51) **LOC (10) Cl.** **23-01**
 - (52) **U.S. Cl.**
USPC **D23/213; D23/249**
 - (58) **Field of Classification Search**
USPC **D23/213, 249; 239/428.5, 437; 261/DIG. 22**
- See application file for complete search history.

(56) **References Cited**

U.S. PATENT DOCUMENTS

- D536,417 S 2/2007 Buttgen
- D537,916 S 3/2007 Buttgen
- D577,416 S 9/2008 Buttgen

Primary Examiner — Robin V Webster

(74) *Attorney, Agent, or Firm* — Volpe and Koenig, P.C.

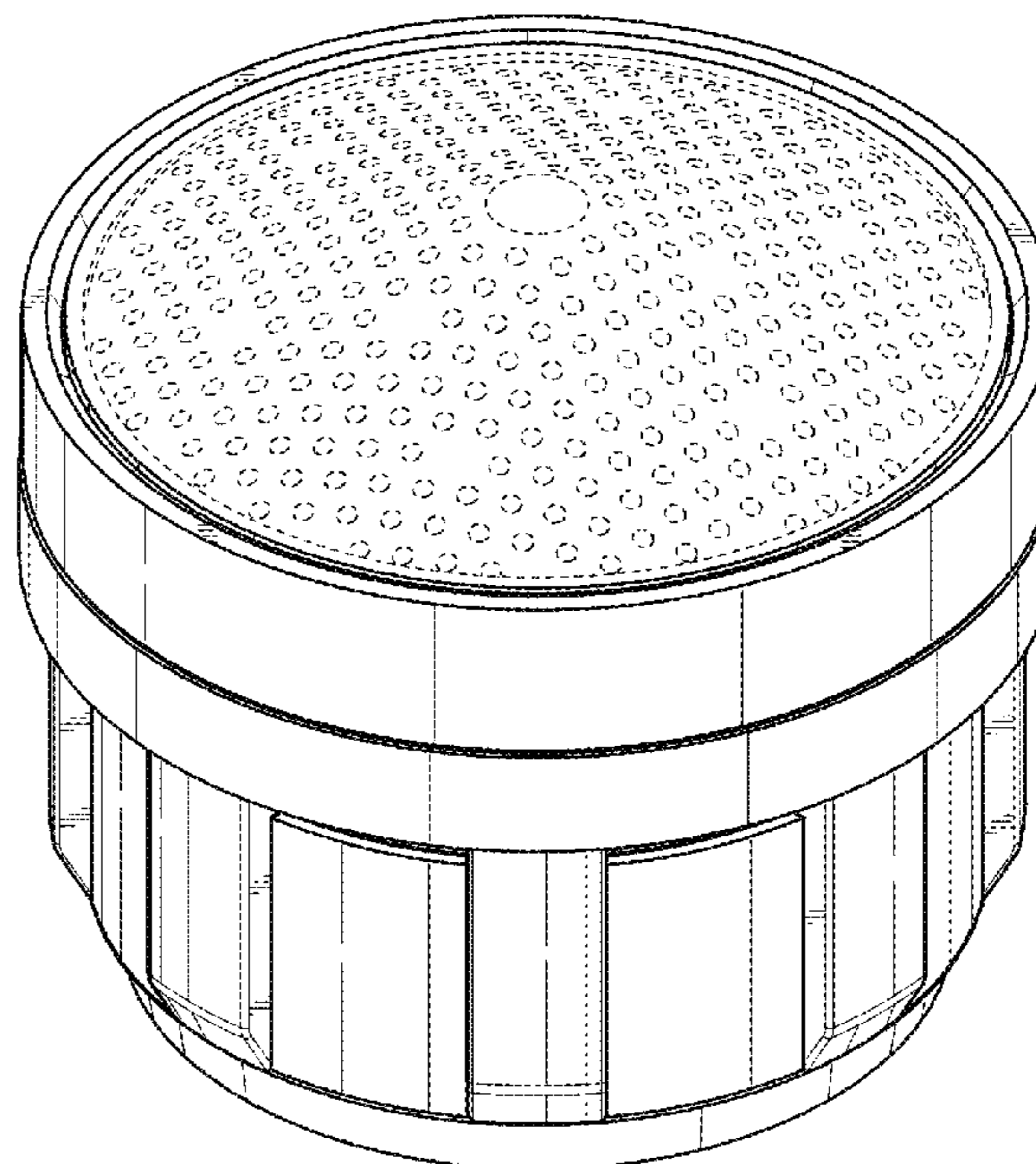
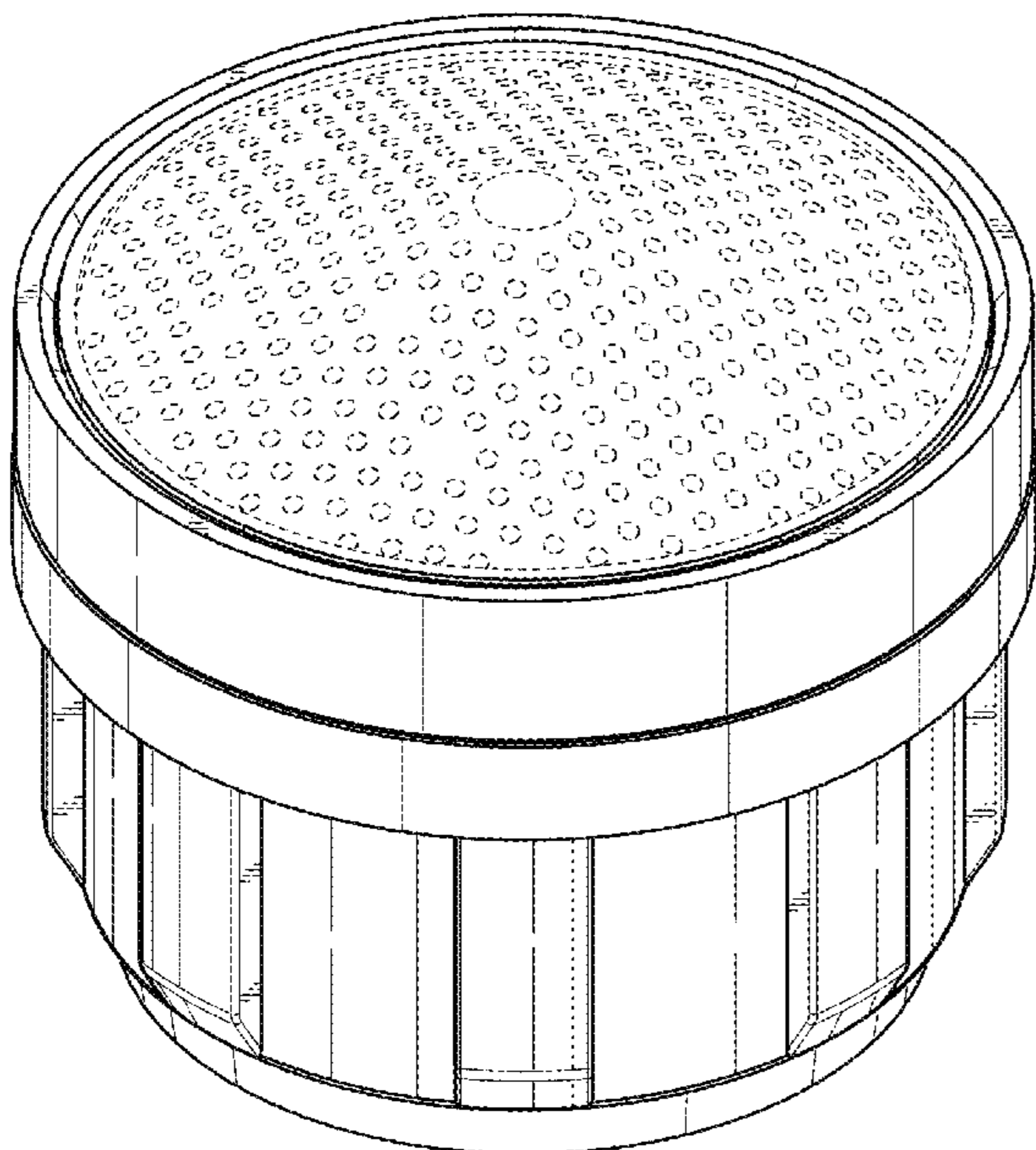
(57) **CLAIM**

The design for a flow regulator, as shown and described.

DESCRIPTION

FIG. 1 is a top, front perspective view of a flow regulator in accordance with my design;
 FIG. 2 is a bottom, rear perspective view thereof;
 FIG. 3 is a top plan view thereof;
 FIG. 4 is a bottom view thereof; and
 FIG. 5 is an elevational view thereof;
 FIG. 6 is a top, front perspective view of a second embodiment of a flow regulator in accordance with my design;
 FIG. 7 is a bottom, rear perspective view thereof;
 FIG. 8 is a top plan view thereof;
 FIG. 9 is a bottom view thereof; and
 FIG. 10 is an elevational view thereof.
 The broken lines shown form no part of the claimed design.

1 Claim, 10 Drawing Sheets



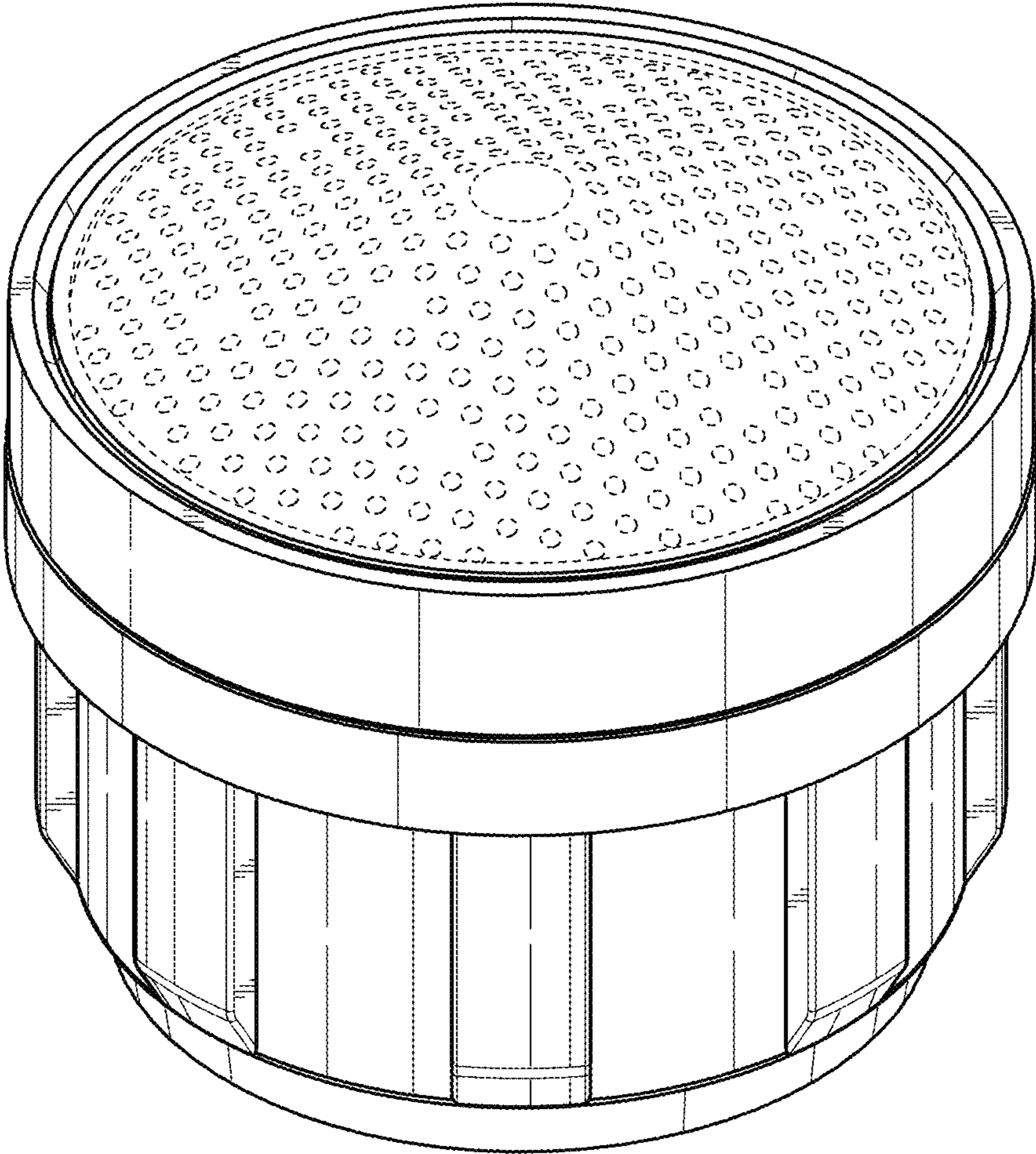


FIG. 1

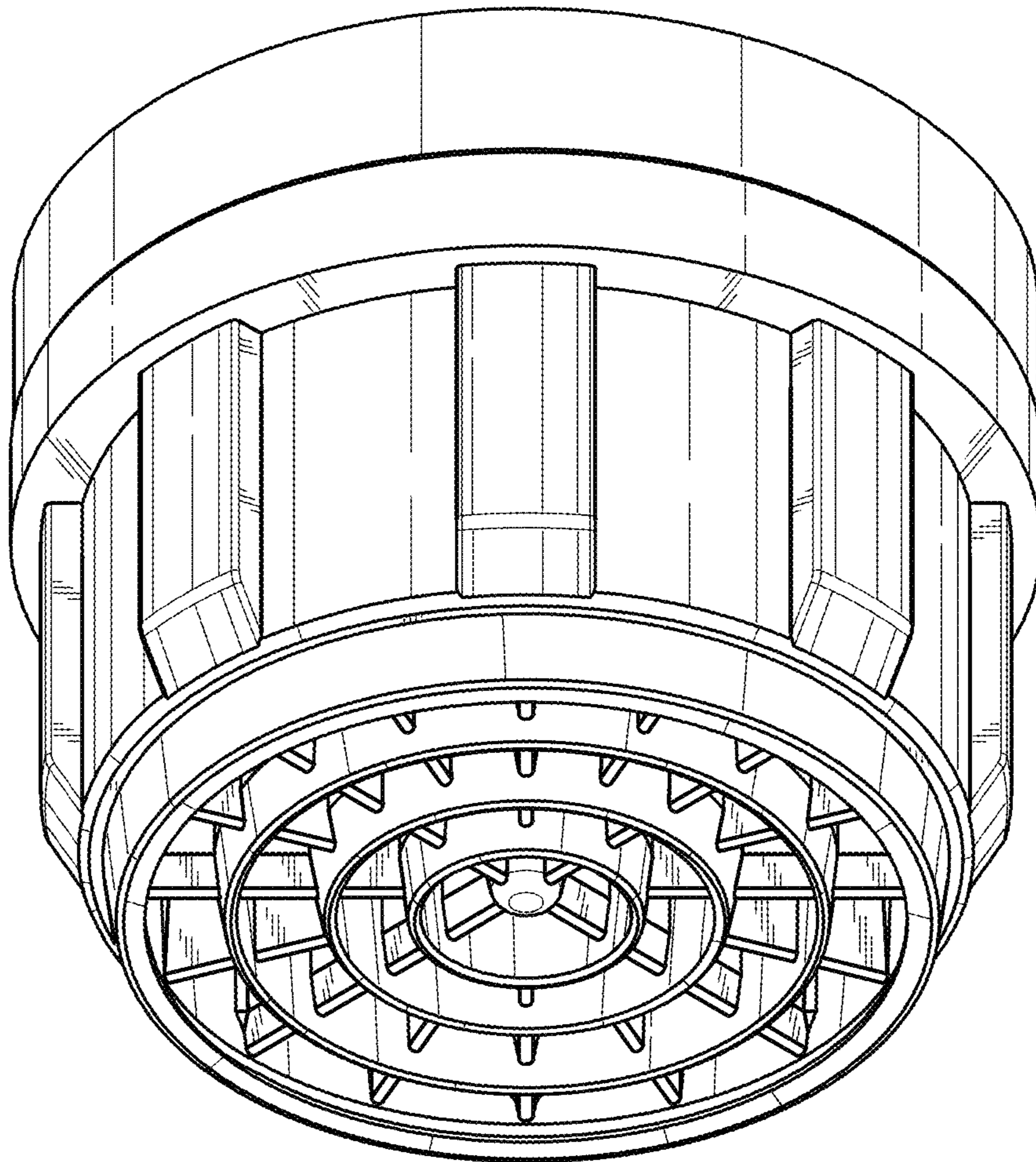


FIG. 2

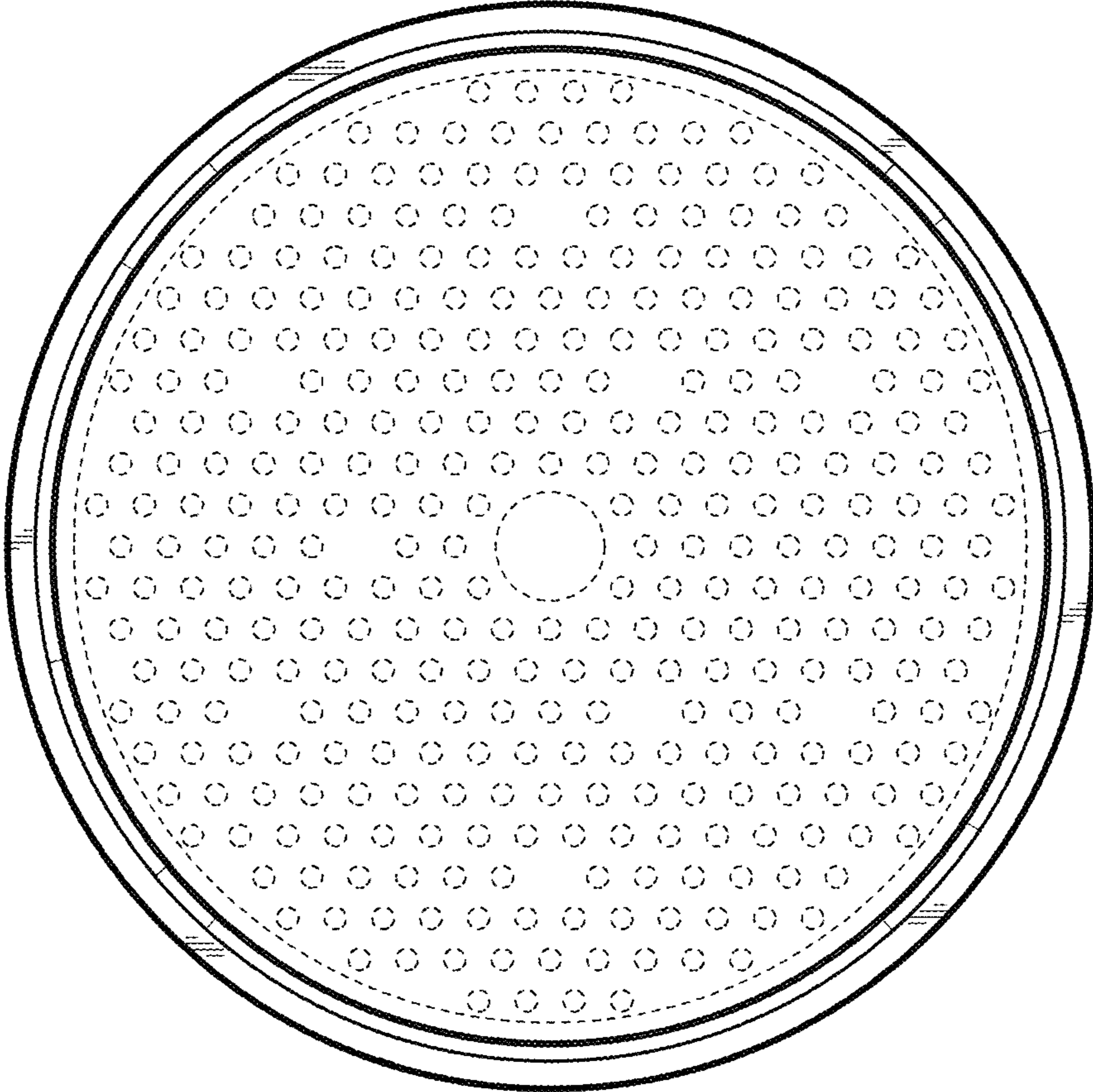


FIG. 3

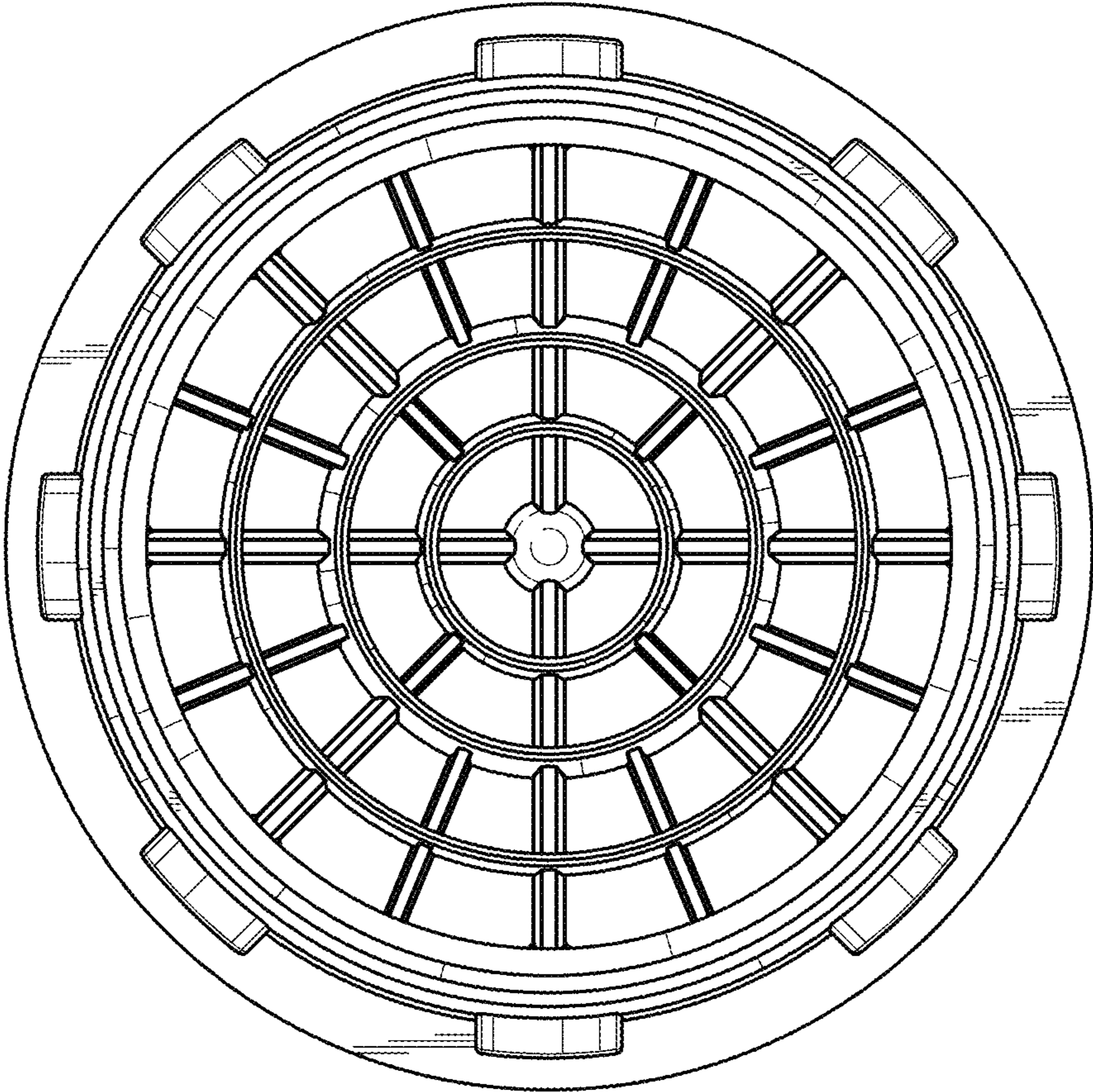


FIG. 4

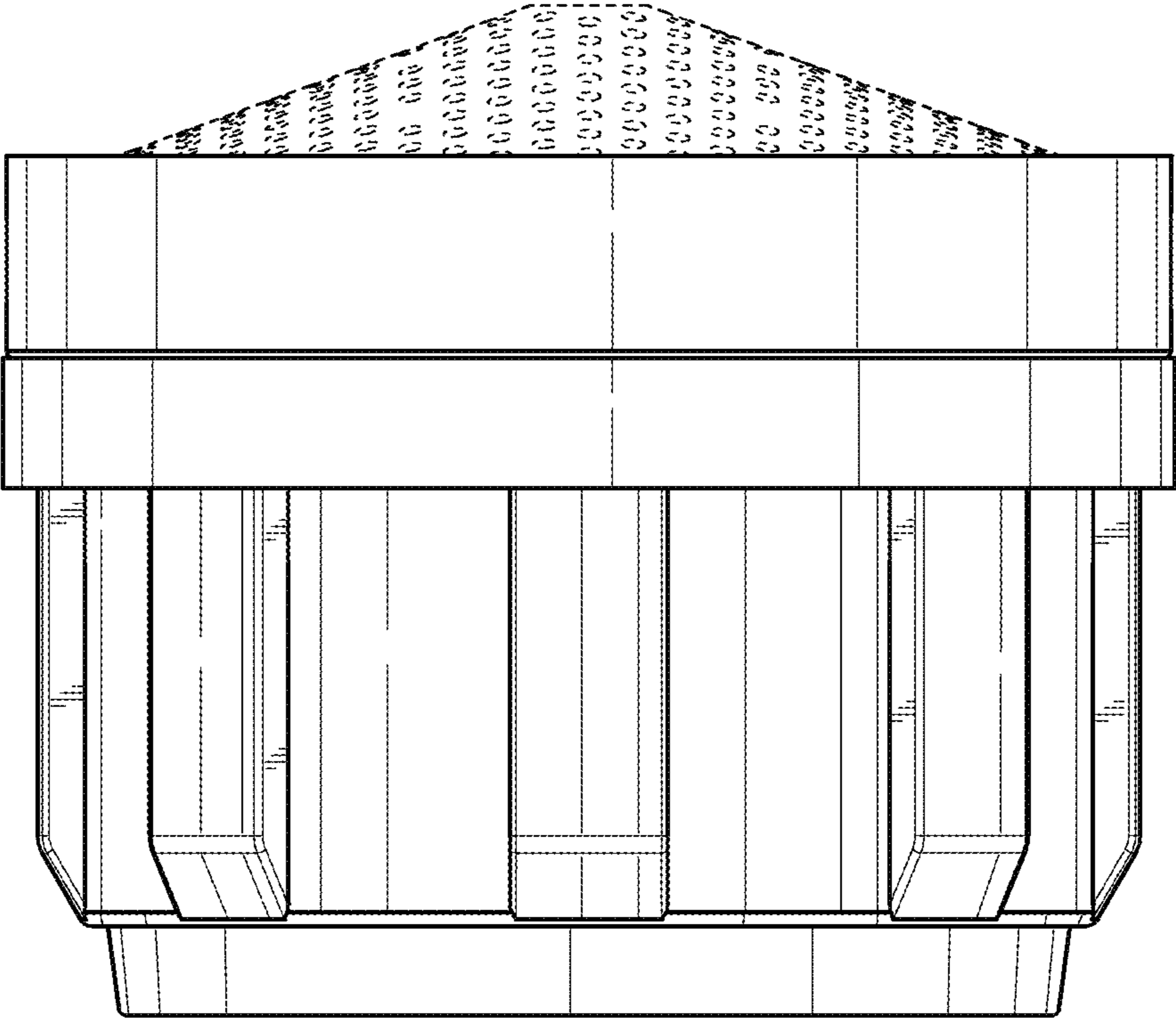


FIG. 5

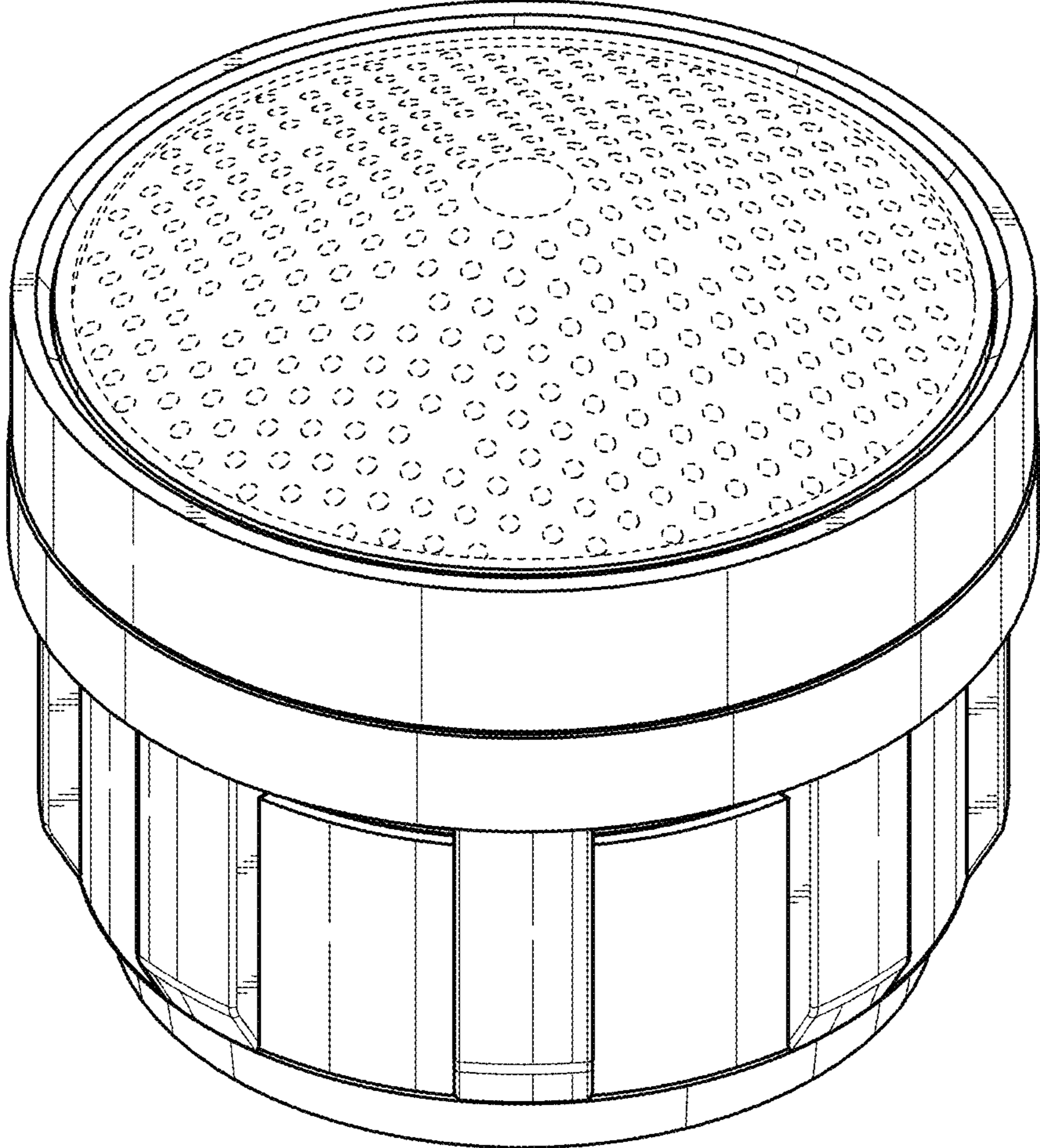


Fig. 6

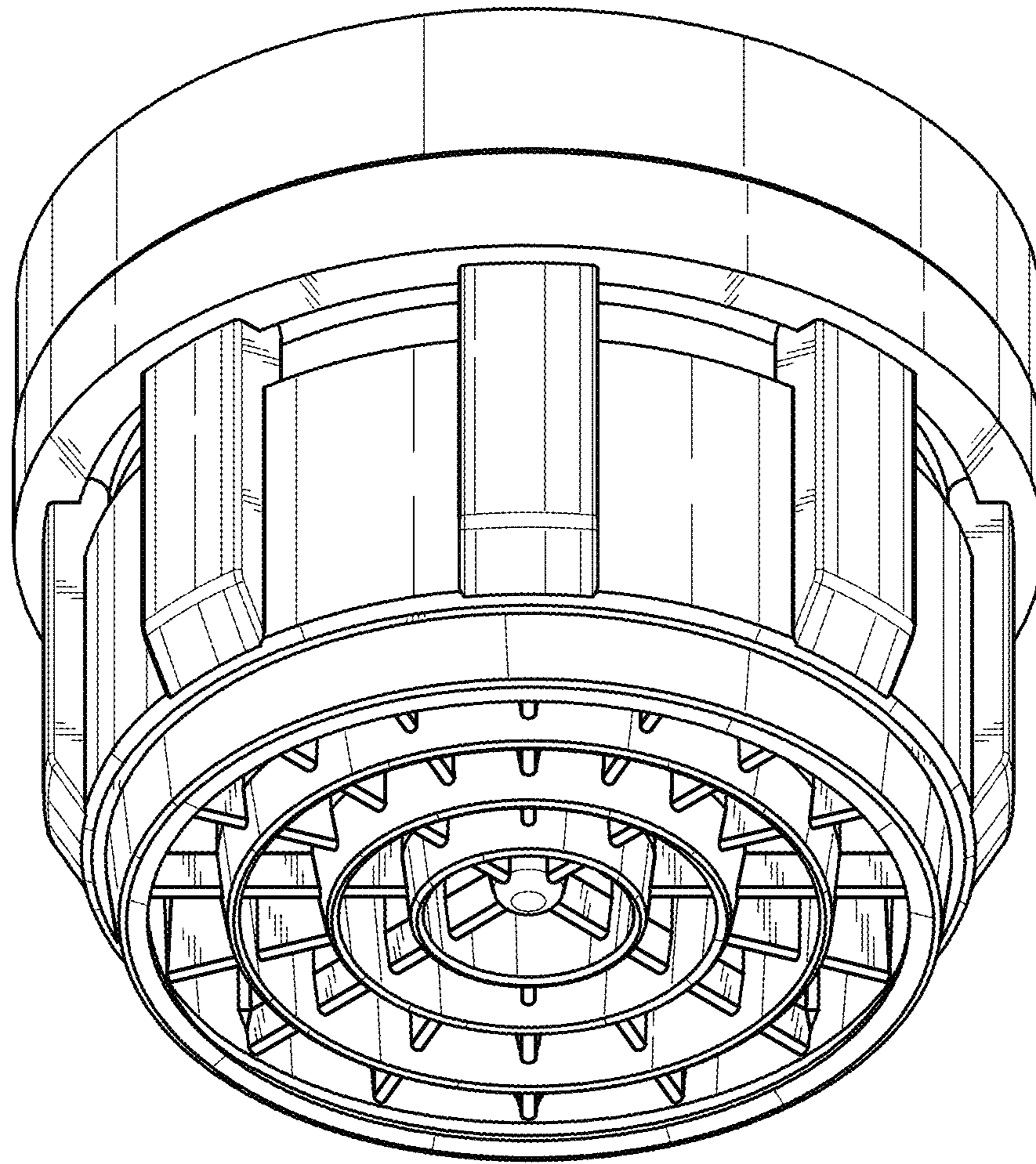


Fig. 7

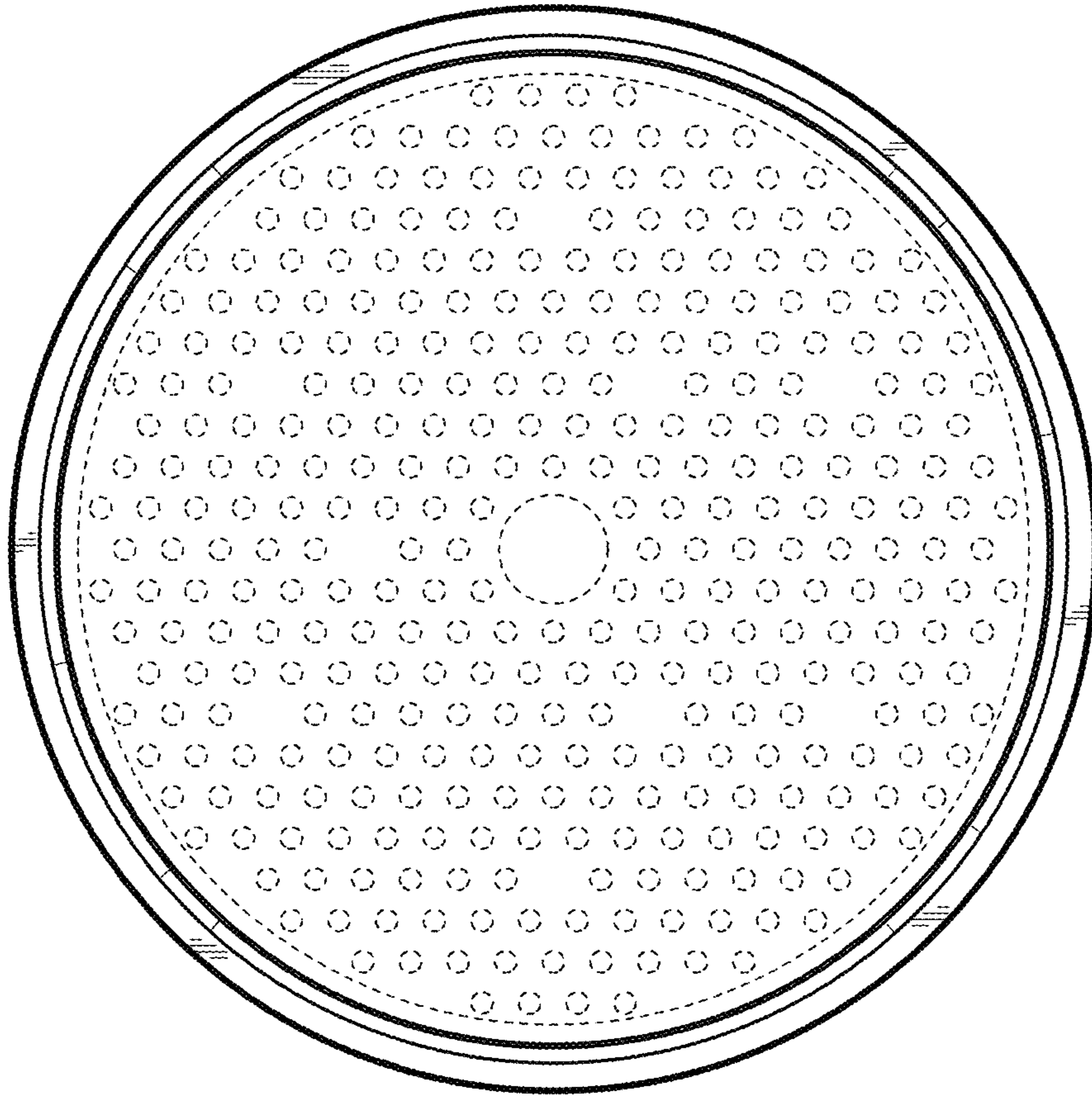


Fig. 8

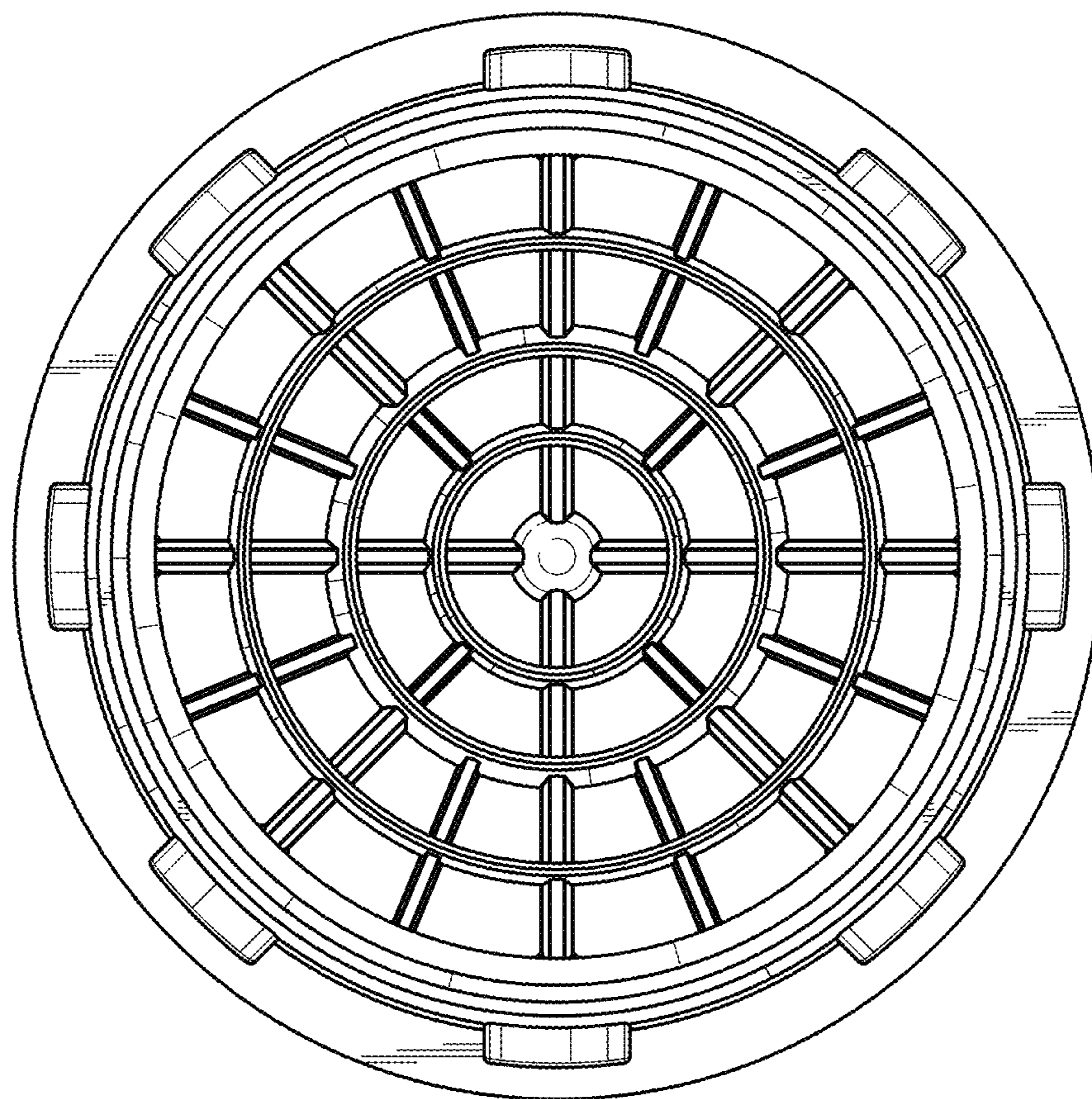


Fig. 9

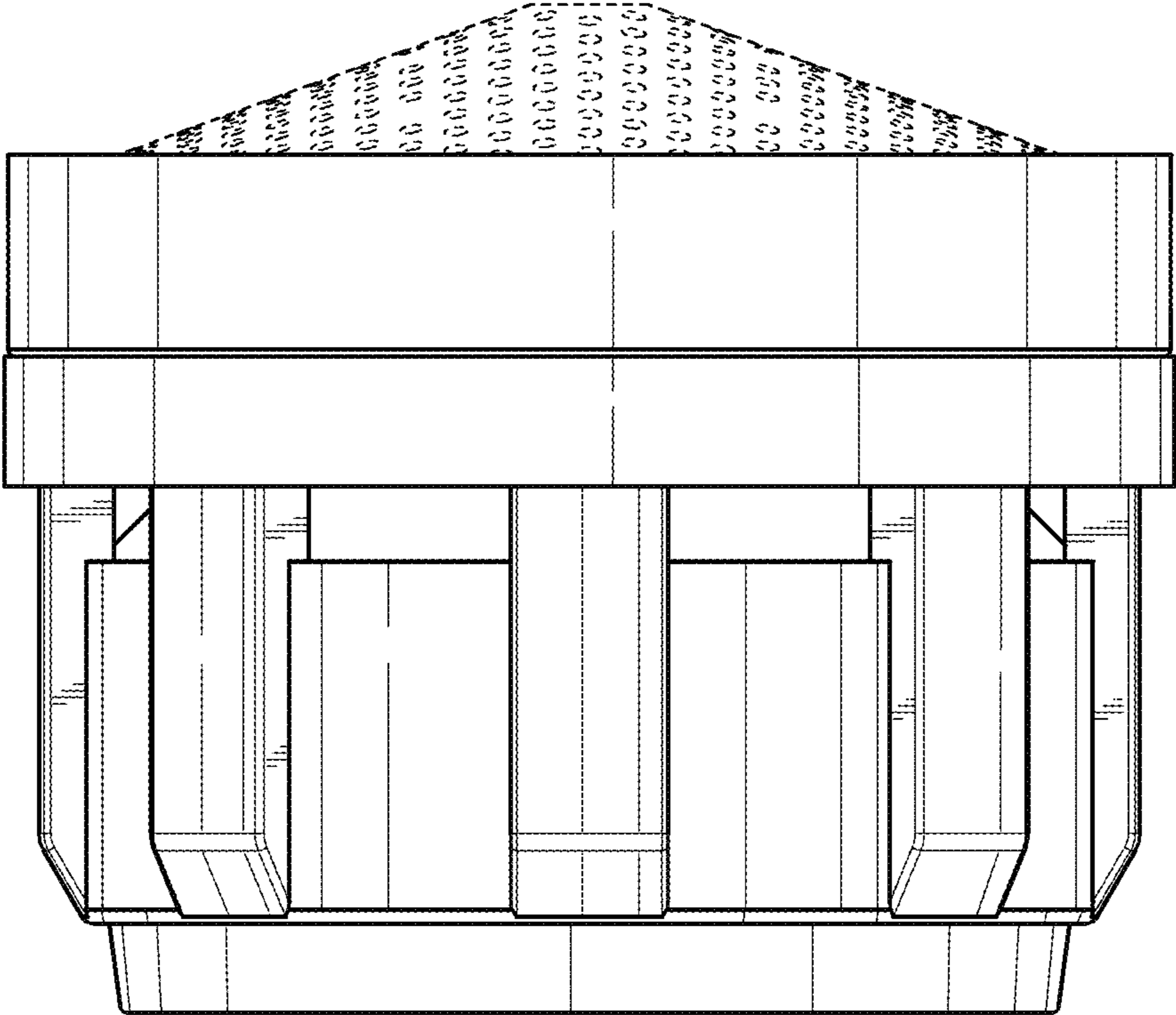


Fig. 10