



US00D697174S

(12) **United States Design Patent**
Blum

(10) **Patent No.:** **US D697,174 S**
(45) **Date of Patent:** **** Jan. 7, 2014**

(54) **FLOW REGULATOR**

(75) Inventor: **Gerhard Blum**, Gutach (DE)

(73) Assignee: **Neoperl GmbH**, Mullheim (DE)

(**) Term: **14 Years**

(21) Appl. No.: **29/397,839**

(22) Filed: **Jul. 21, 2011**

(30) **Foreign Application Priority Data**

Feb. 23, 2011 (EM) 001261960

(51) **LOC (10) Cl.** **23-01**

(52) **U.S. Cl.**
USPC **D23/213; D23/249**

(58) **Field of Classification Search**
USPC **D23/213, 249; 239/428.5, 437;**
261/DIG. 22

See application file for complete search history.

(56) **References Cited**

U.S. PATENT DOCUMENTS

D536,417 S *	2/2007	Buttgen	D23/213
D537,916 S *	3/2007	Buttgen	D23/213
D577,416 S *	9/2008	Buttgen	D23/213

* cited by examiner

Primary Examiner — Robin V Webster

(74) *Attorney, Agent, or Firm* — Volpe and Koenig, P.C.

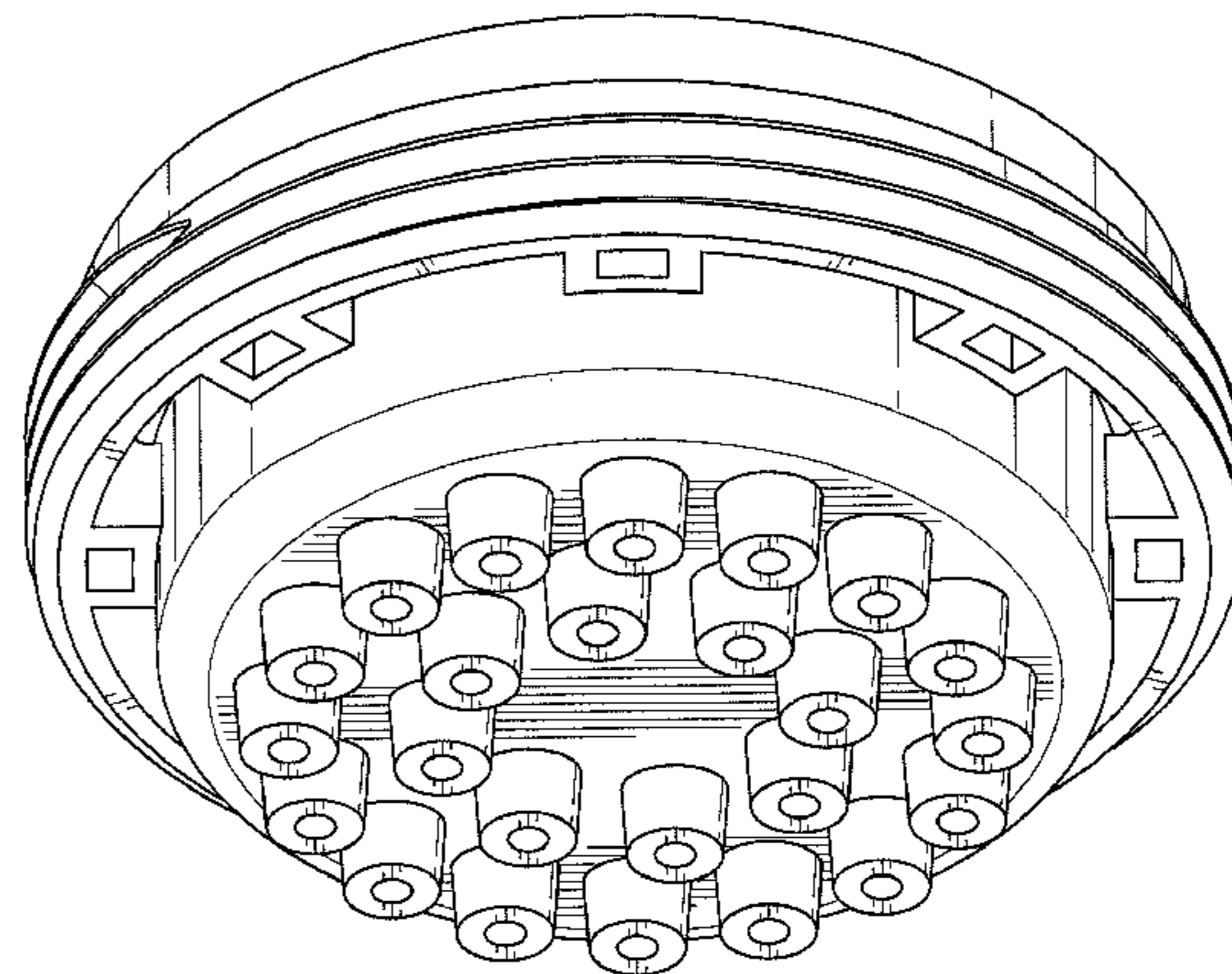
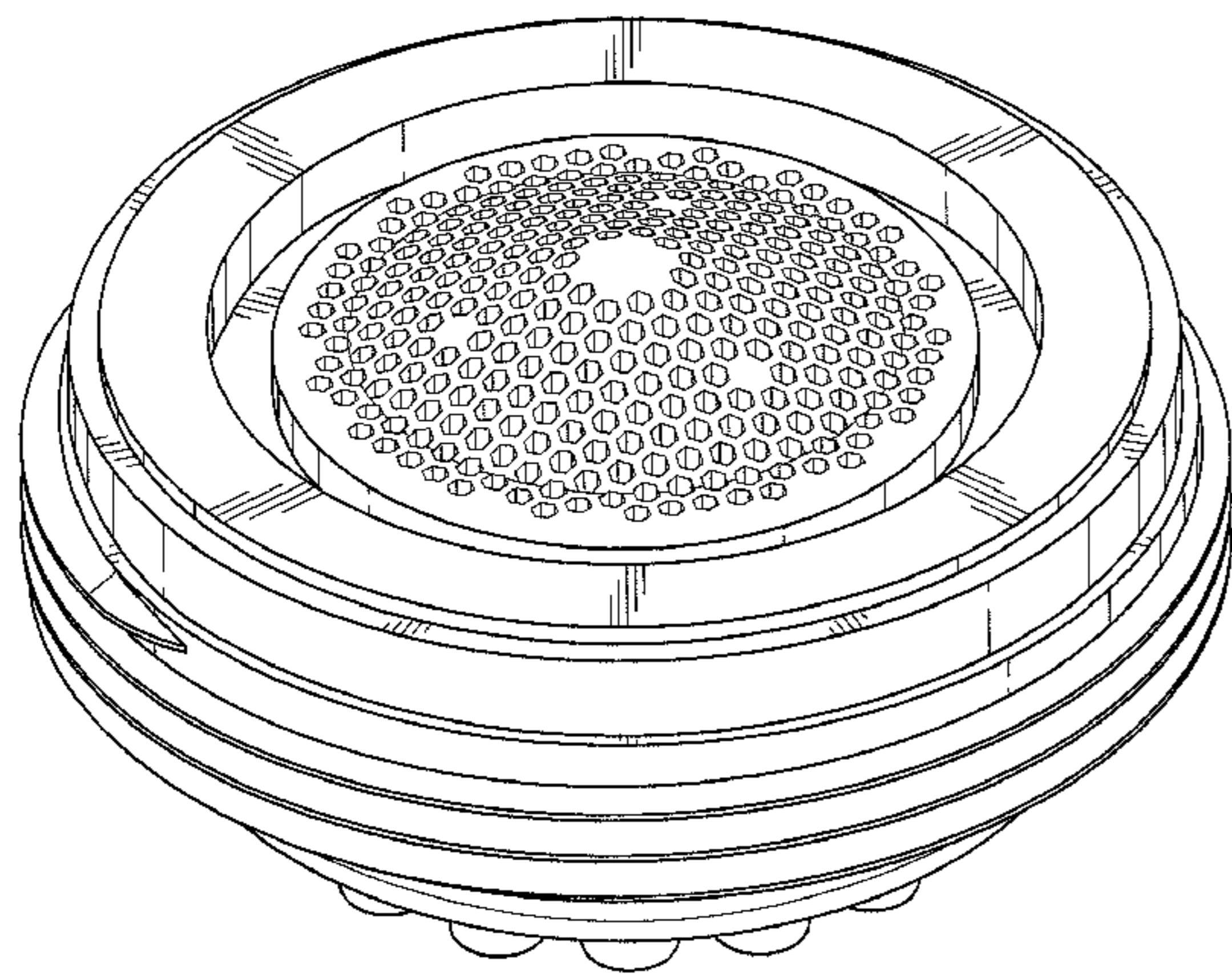
(57) **CLAIM**

The design for a flow regulator, as shown and described.

DESCRIPTION

FIG. 1 is a top plan view of a first embodiment of a flow regulator in accordance with my design;
FIG. 2 is a top, front, right perspective view thereof;
FIG. 3 is a bottom view thereof;
FIG. 4 is a bottom, front, right perspective view thereof; and,
FIG. 5 is an elevational view thereof.

1 Claim, 5 Drawing Sheets



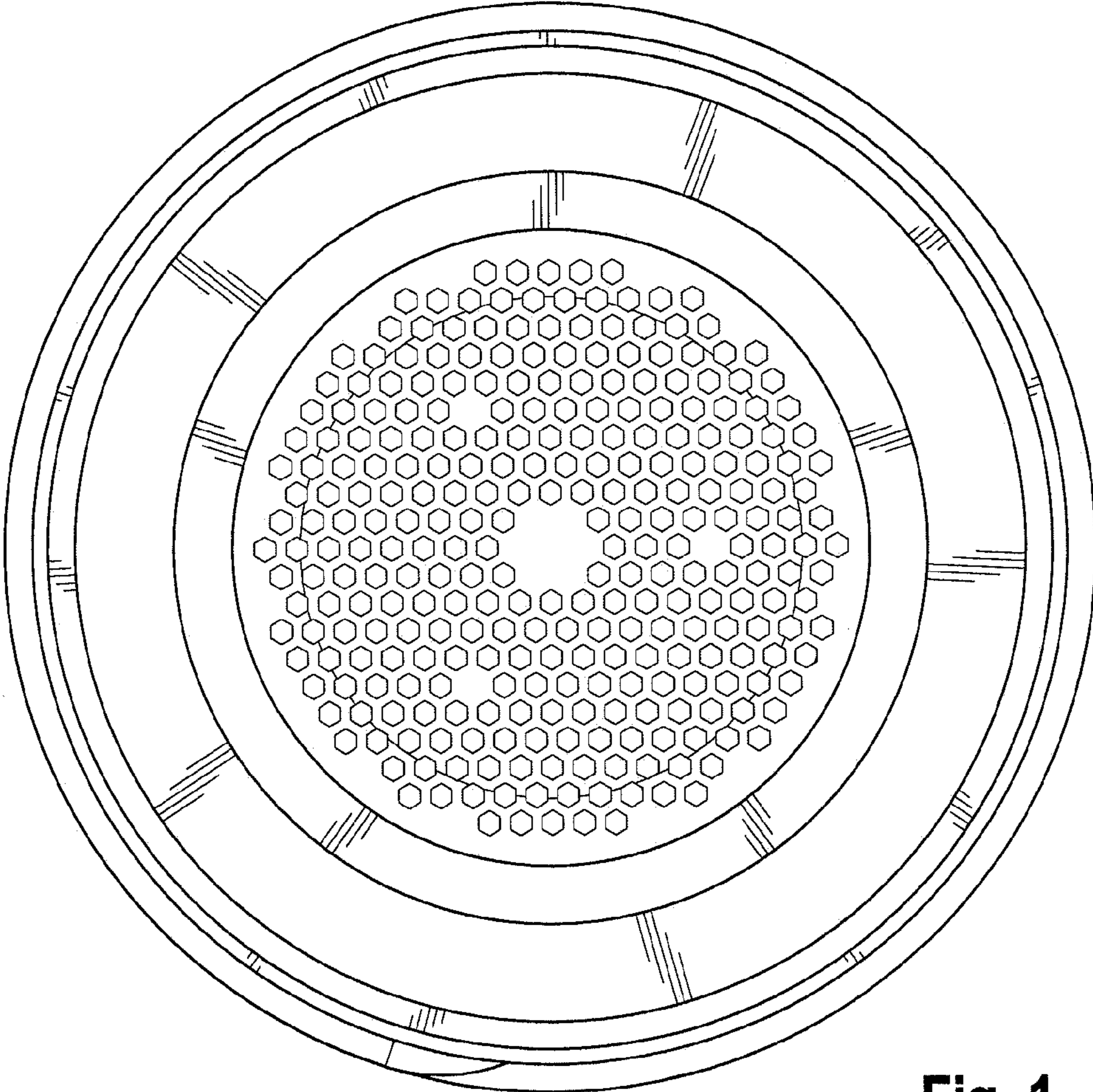


Fig. 1

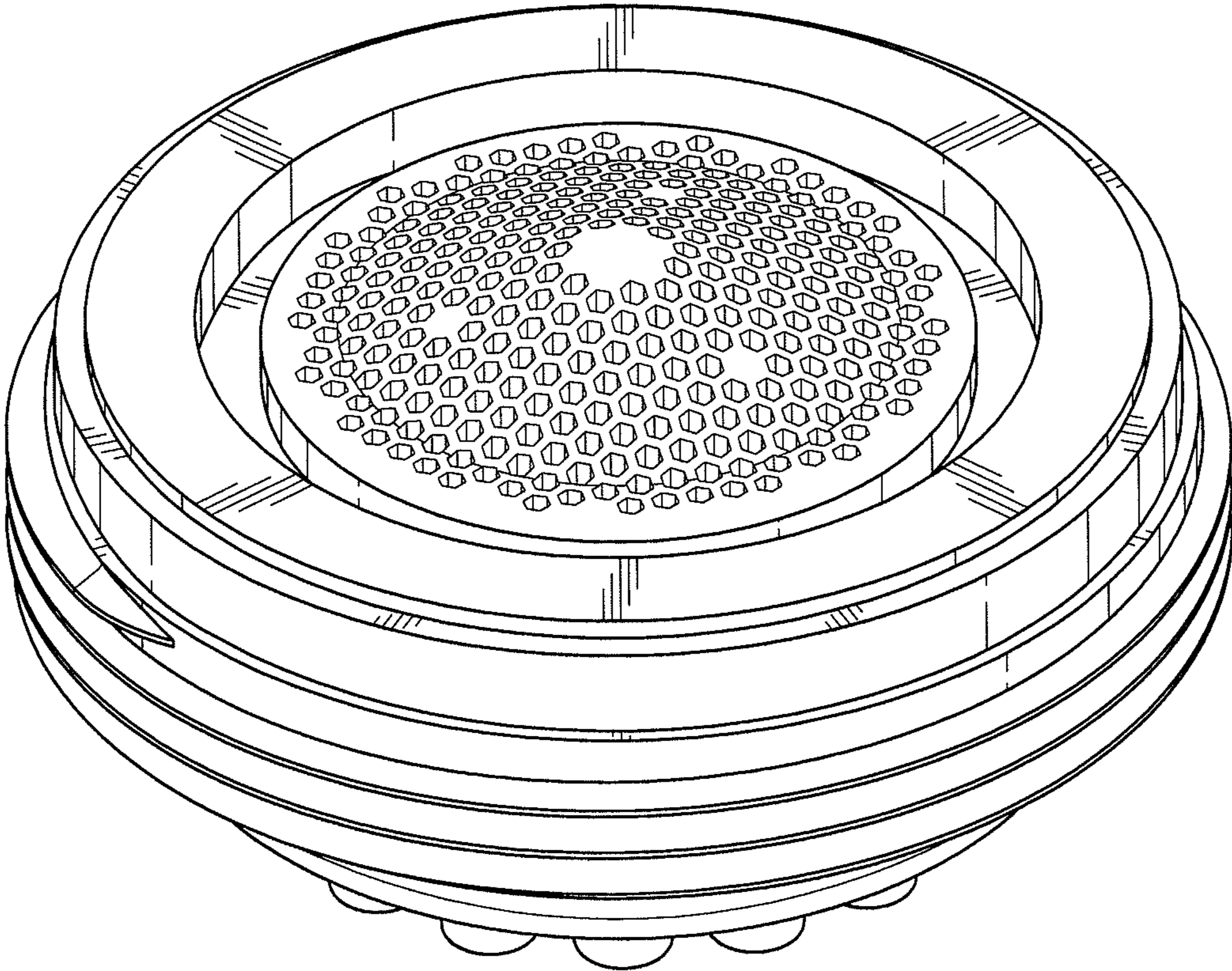


Fig. 2

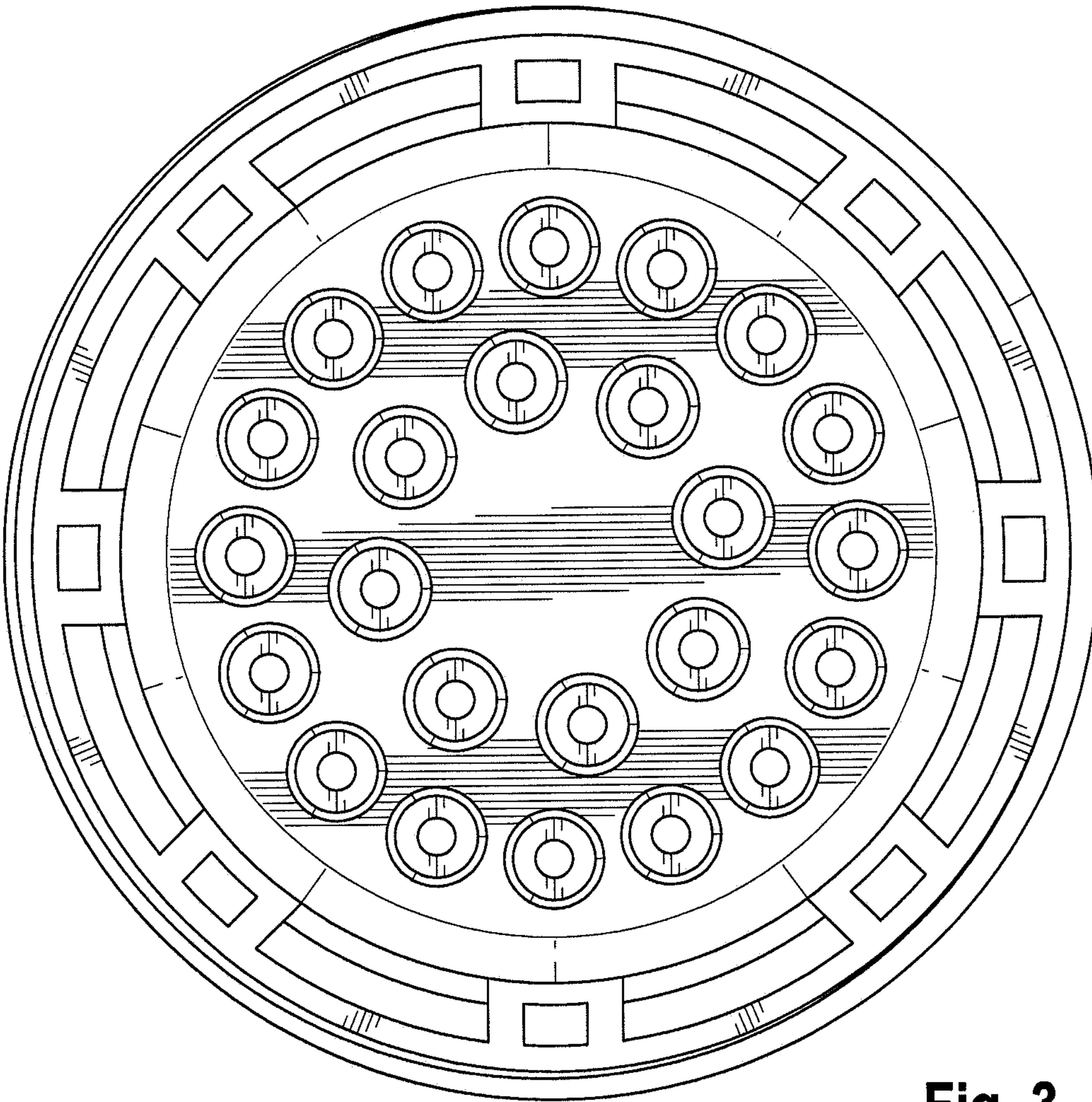


Fig. 3

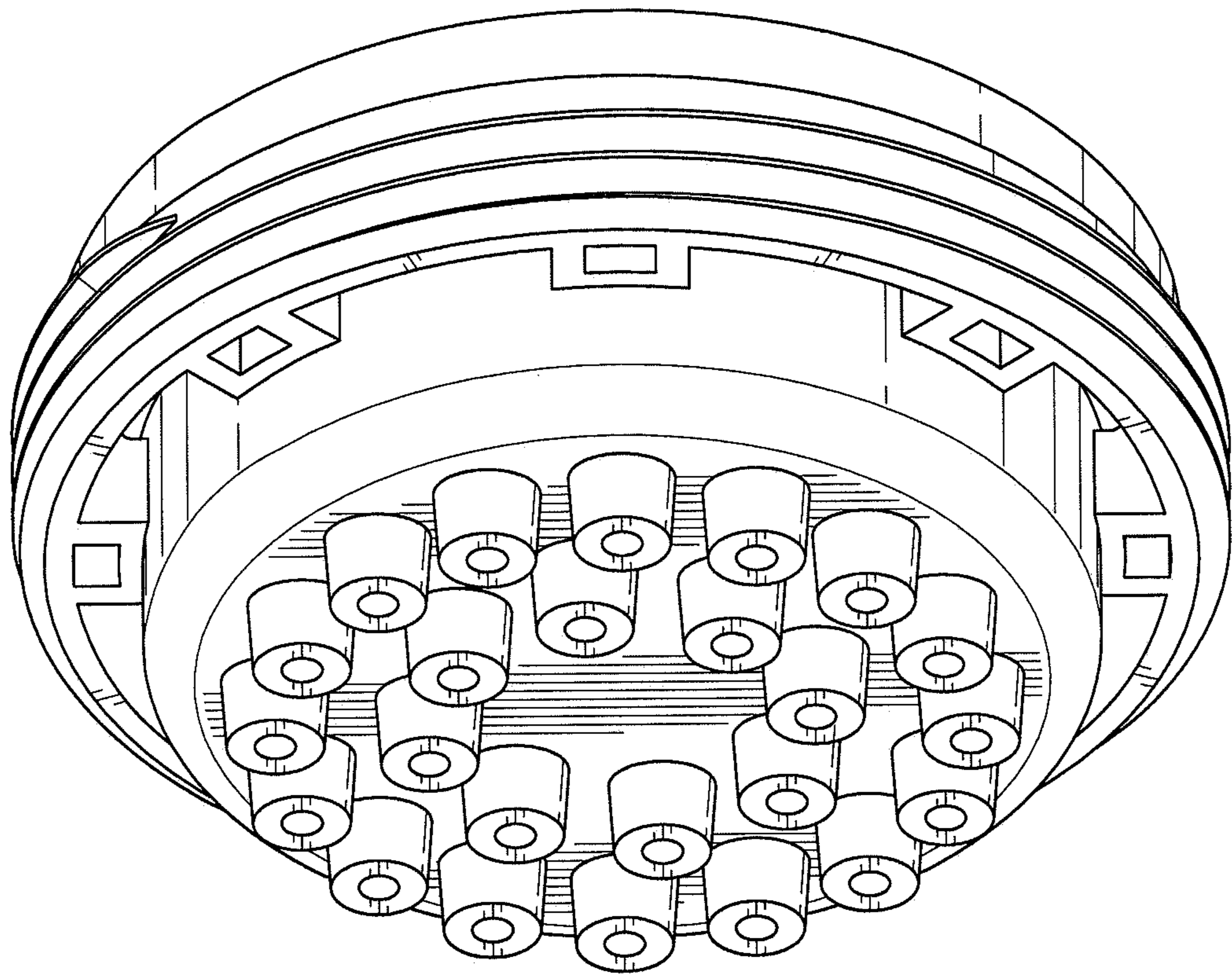


Fig. 4

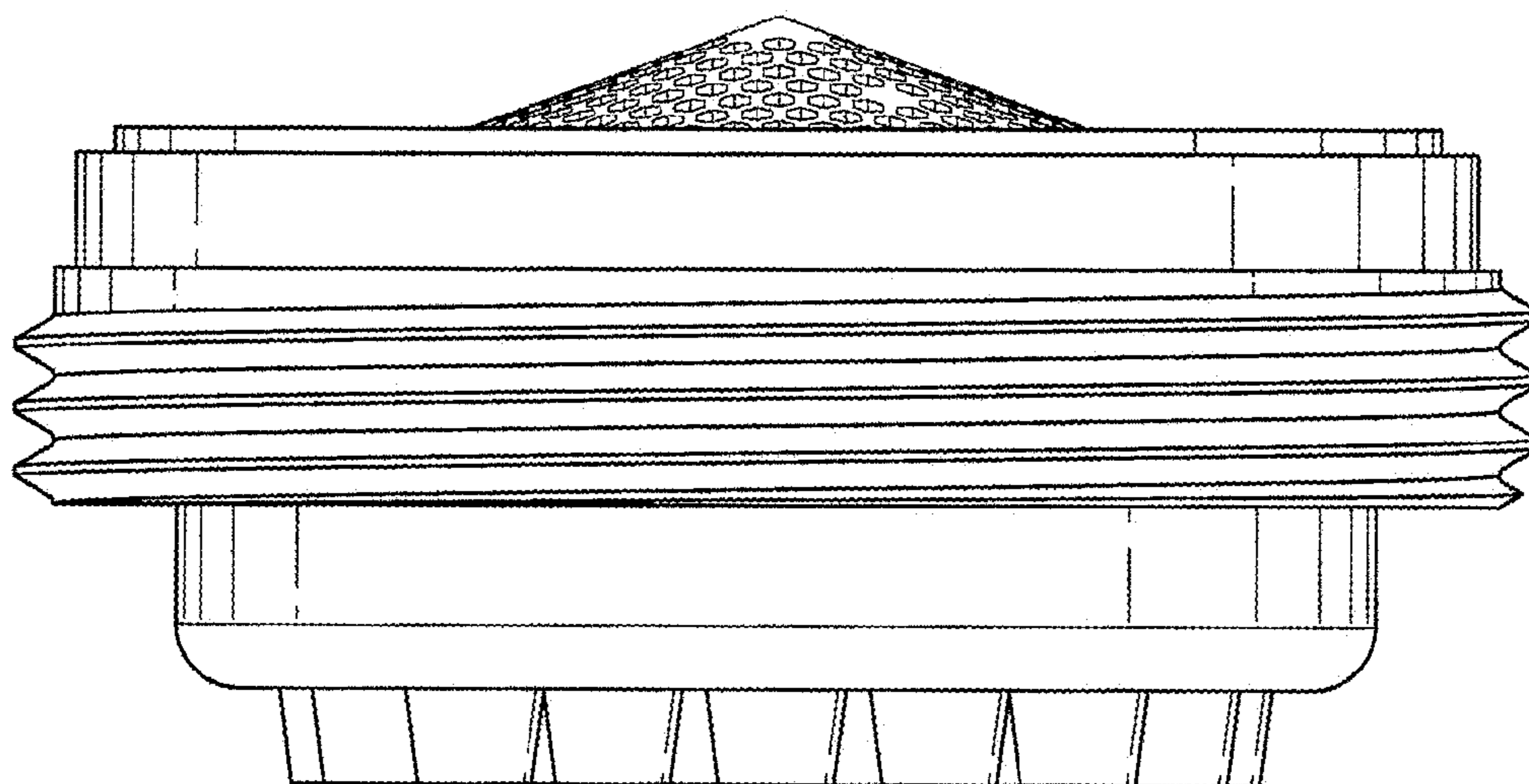


Fig. 5