



US00D697173S

(12) **United States Design Patent**
Bradford et al.

(10) **Patent No.:** **US D697,173 S**
(45) **Date of Patent:** **** Jan. 7, 2014**

(54) **WATER PITCHER WITH DROP WATER FILTER**

FOREIGN PATENT DOCUMENTS

(71) Applicant: **Whirlpool Corporation**, Benton Harbor, MI (US)

FR 2884729 A1 10/2006
GB 2441981 A 3/2008

(Continued)

(72) Inventors: **Scott Hugh Bradford**, Gavirate (IT);
Joel Graham Van Faasen, Holland, MI (US)

OTHER PUBLICATIONS

Drop Speaker, Zumreed, "Music with Style", Copyright 2010 Dreams, Inc.

(73) Assignee: **Whirlpool Corporation**, Bendor Harbor, MI (US)

(Continued)

(**) Term: **14 Years**

Primary Examiner — Robin V Webster

(21) Appl. No.: **29/438,809**

(57) **CLAIM**

The ornamental design for a water pitcher with drop water filter, as shown and described.

(22) Filed: **Dec. 4, 2012**

(51) **LOC (10) Cl.** **23-01**

(52) **U.S. Cl.**

USPC **D23/209; D7/317**

(58) **Field of Classification Search**

USPC D23/207-209; 210/435, 446, 451, 455,
210/464, 466, 469, 473, 474, 477, 482;
D7/316-319

See application file for complete search history.

DESCRIPTION

FIG. 1 is a perspective view of the water pitcher with drop water filter according to an embodiment of the present invention.

FIG. 2 is the front view of the water pitcher with drop water filter shown in FIG. 1;

FIG. 3 is the back view of the water pitcher with drop water filter shown in FIG. 1;

FIG. 4 is the right side view of the water pitcher with drop water filter shown in FIG. 1;

FIG. 5 is the left side view of the water pitcher with drop water filter shown in FIG. 1;

FIG. 6 is the top view of the water pitcher with drop water filter shown in FIG. 1; and,

FIG. 7 is the bottom view of the water pitcher with drop water filter shown in FIG. 1.

The broken lines in the Figures show the environment of the claimed water pitcher with drop water filter. The broken lines in all of the Figures form no part of the claimed design.

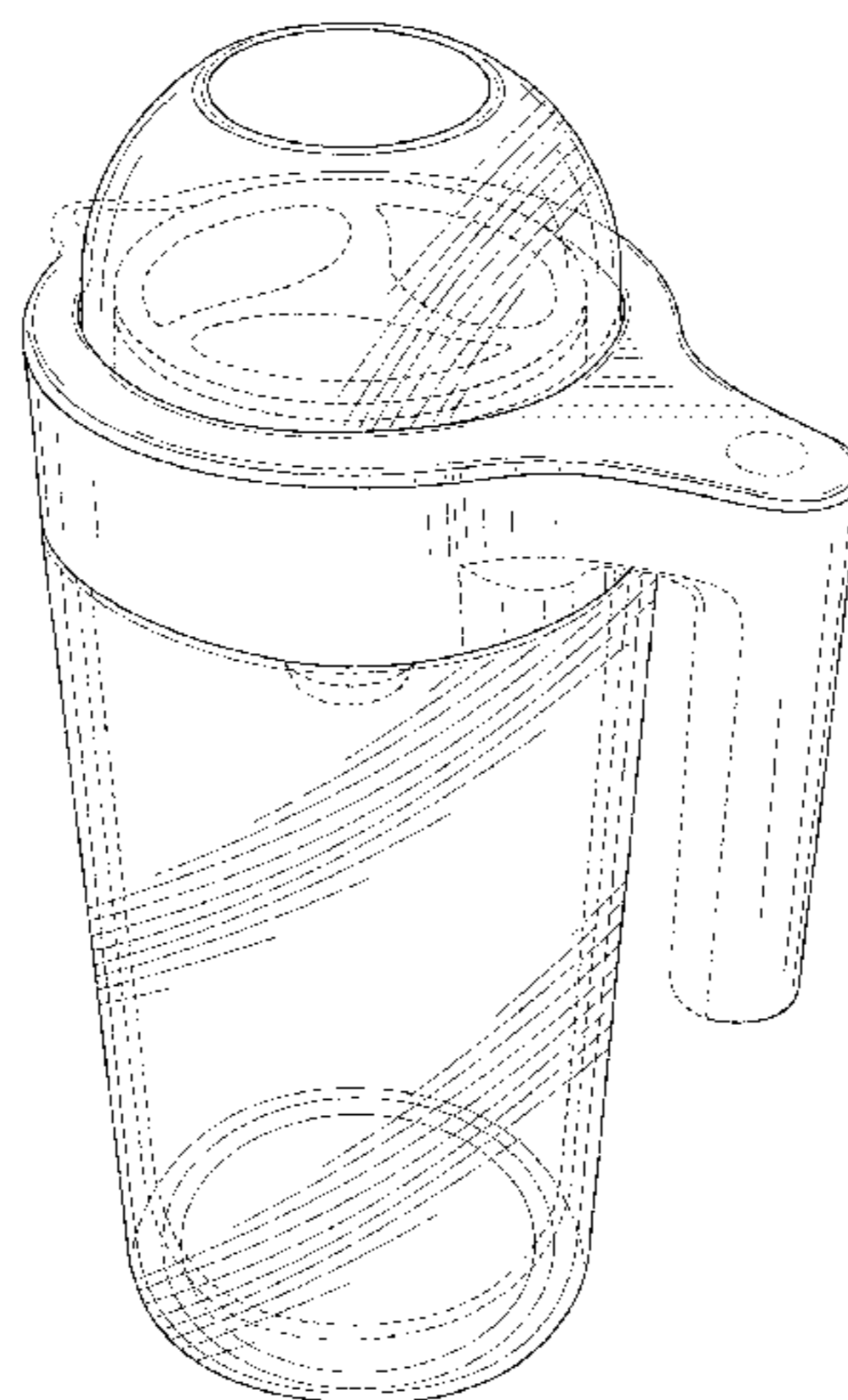
(56) **References Cited**

U.S. PATENT DOCUMENTS

651,948 A	6/1900	Lawson
1,536,890 A	5/1925	Lagemann
1,674,203 A	6/1928	Holz
3,823,824 A	7/1974	Close
4,283,283 A	8/1981	Zimmerman
4,419,235 A	12/1983	Sway
4,528,095 A	7/1985	Byrne
4,764,274 A	8/1988	Miller
4,828,692 A	5/1989	Peranio
4,867,875 A	9/1989	Peranio
4,948,499 A	8/1990	Peranio
4,999,109 A	3/1991	Sabre

(Continued)

1 Claim, 6 Drawing Sheets



(56)

References Cited

U.S. PATENT DOCUMENTS

D336,760 S * 6/1993 Raunkjaer D23/209
 5,225,078 A * 7/1993 Polasky et al. 210/264
 5,318,703 A 6/1994 Heiligman
 5,328,597 A 7/1994 Boldt, Jr. et al.
 5,393,548 A 2/1995 Heiligman
 5,411,661 A 5/1995 Heiligman
 5,652,008 A 7/1997 Heiligman
 5,656,160 A 8/1997 Parise
 5,665,224 A * 9/1997 Levene et al. 210/85
 5,826,493 A 10/1998 Tien Lin
 5,846,418 A 12/1998 Thompson
 5,914,045 A 6/1999 Palmer
 6,024,867 A 2/2000 Parise
 6,074,550 A 6/2000 Hofmann
 D444,662 S * 7/2001 McGrath et al. D7/319
 6,290,847 B1 9/2001 Cutler
 6,428,687 B1 8/2002 Moretto
 D496,429 S 9/2004 Donnelly
 D520,597 S * 5/2006 Witte D23/209
 7,094,334 B1 8/2006 Guzman
 7,163,625 B1 1/2007 Williamson
 D546,113 S * 7/2007 Ruoff D7/319
 7,294,277 B2 11/2007 Moretto
 7,309,418 B2 12/2007 Joyce
 D592,274 S * 5/2009 Tseng D23/207
 D594,088 S * 6/2009 Pritchard D23/207
 7,585,409 B2 9/2009 Bommi
 D602,558 S 10/2009 Beams
 D604,088 S * 11/2009 Bursztein D7/319
 7,678,282 B2 3/2010 Moretto

D616,694 S * 6/2010 Kulikov et al. D7/319
 D617,868 S 6/2010 Leavitt
 7,836,708 B2 11/2010 Krause
 7,862,720 B2 1/2011 Brown
 D657,180 S * 4/2012 Smiedt et al. D7/319
 D657,844 S 4/2012 Smiedt
 D668,094 S * 10/2012 Broen et al. D7/319
 D677,360 S * 3/2013 Sheppard et al. D23/209
 D677,753 S * 3/2013 Sheppard et al. D23/209
 2010/0044284 A1 2/2010 Scholz
 2010/0084347 A1 4/2010 Wilder et al.
 2011/0303589 A1 12/2011 Kuennen
 2012/0148707 A1 6/2012 Lackey

FOREIGN PATENT DOCUMENTS

WO WO 97/40906 A1 11/1997
 WO WO 2010/010572 A2 1/2010
 WO WO 2011/013142 A2 2/2011

OTHER PUBLICATIONS

Zumreed Rain Drop LED Bathroom Light, online article by Liszewski, Andrew on May 14, 2007, website www.OHGIZMO.com.
 Zumreed Drop—Showering With Your Ipod., Copyright One Piece Discoveries Science and Tech Blog 2009-2010.
<http://www.somawater.co/> (web page Dec. 2012).
<http://www.kickstarter.com/projects/zachallia/soma-beautifully-innovative-all-natural-water-filt> (web page Dec. 2012).

* cited by examiner

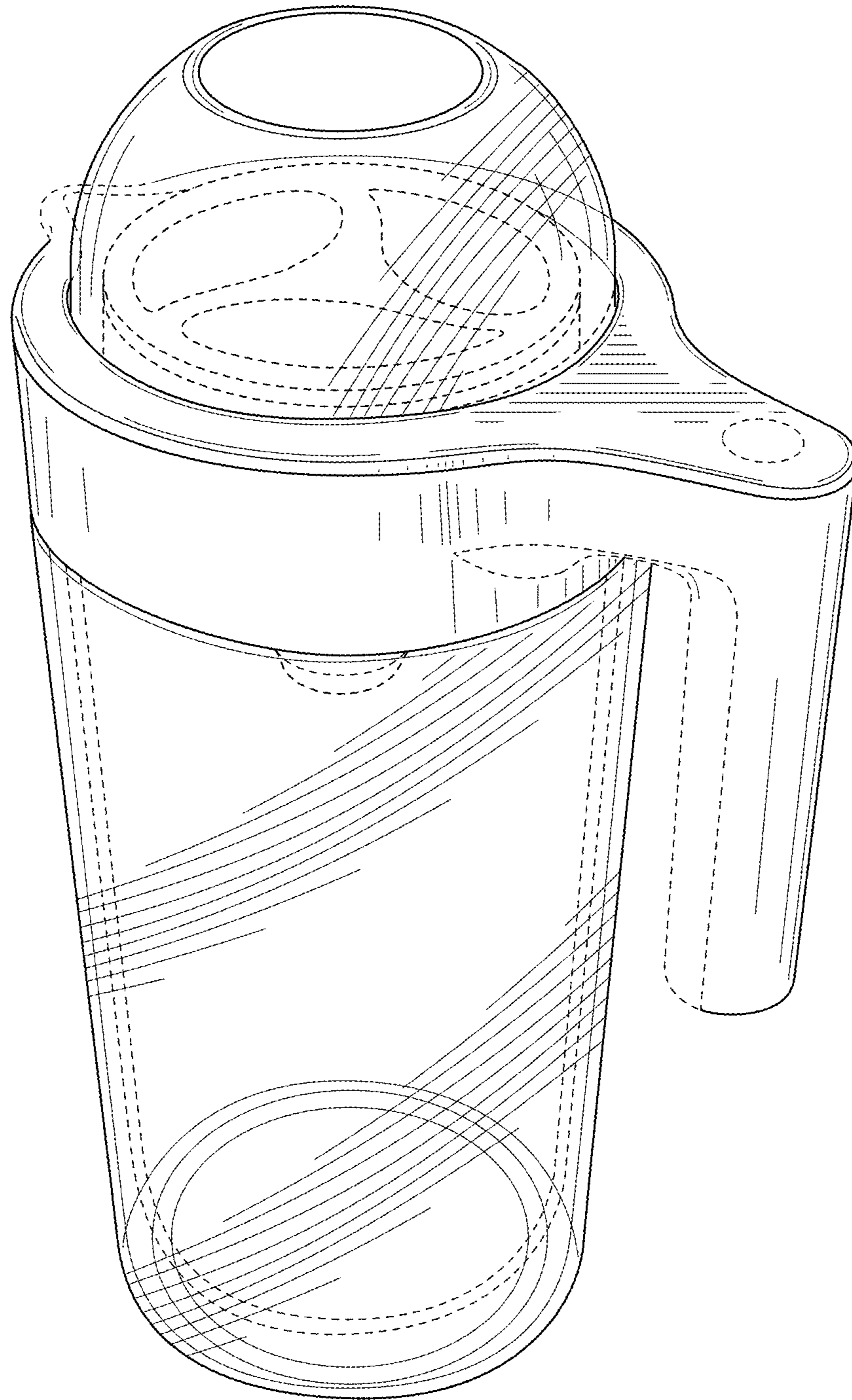


FIG. 1

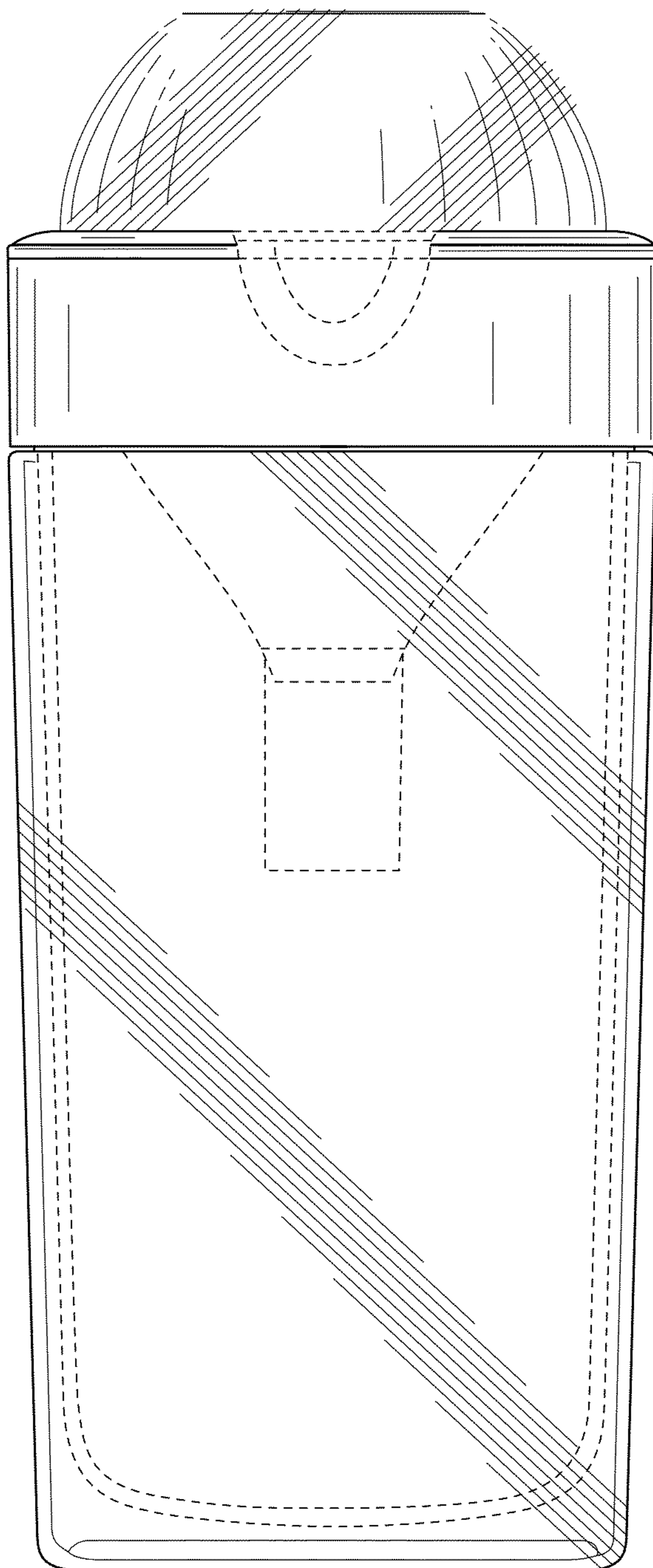


FIG. 2

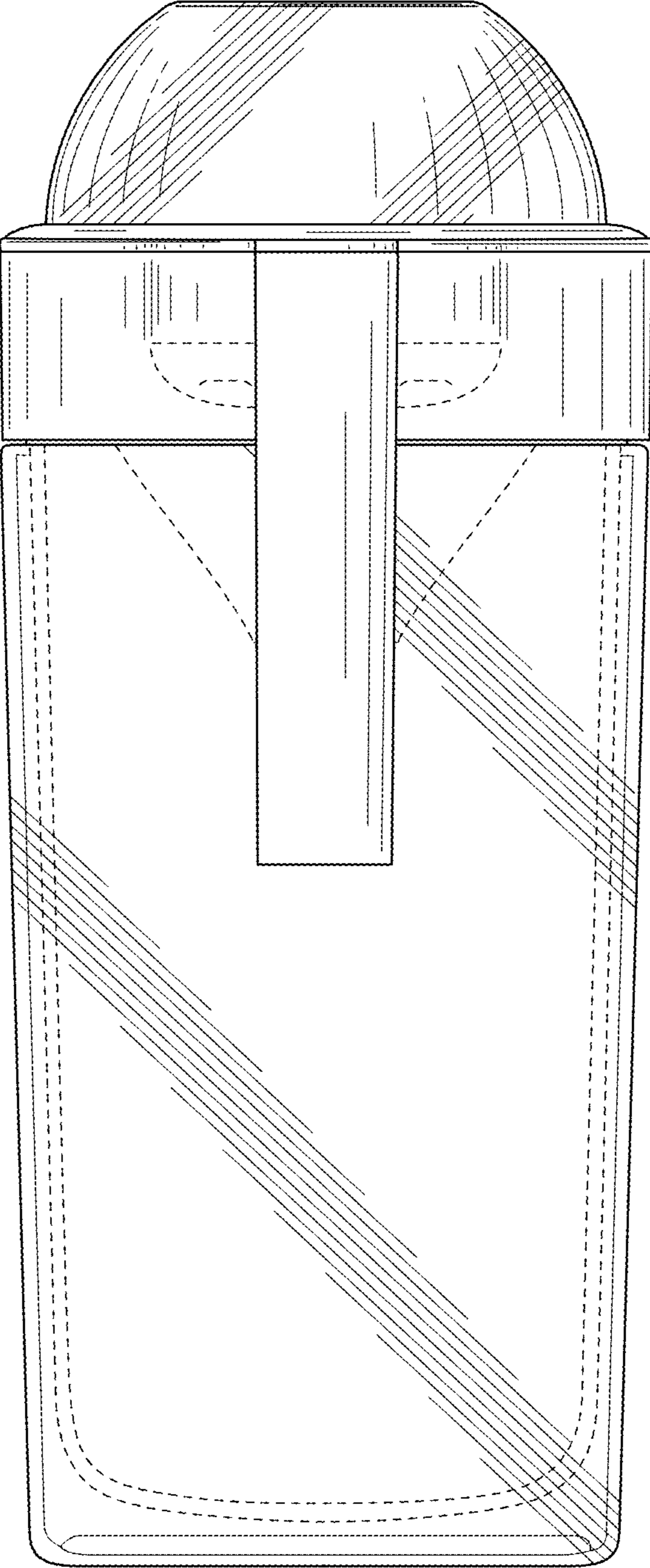


FIG. 3

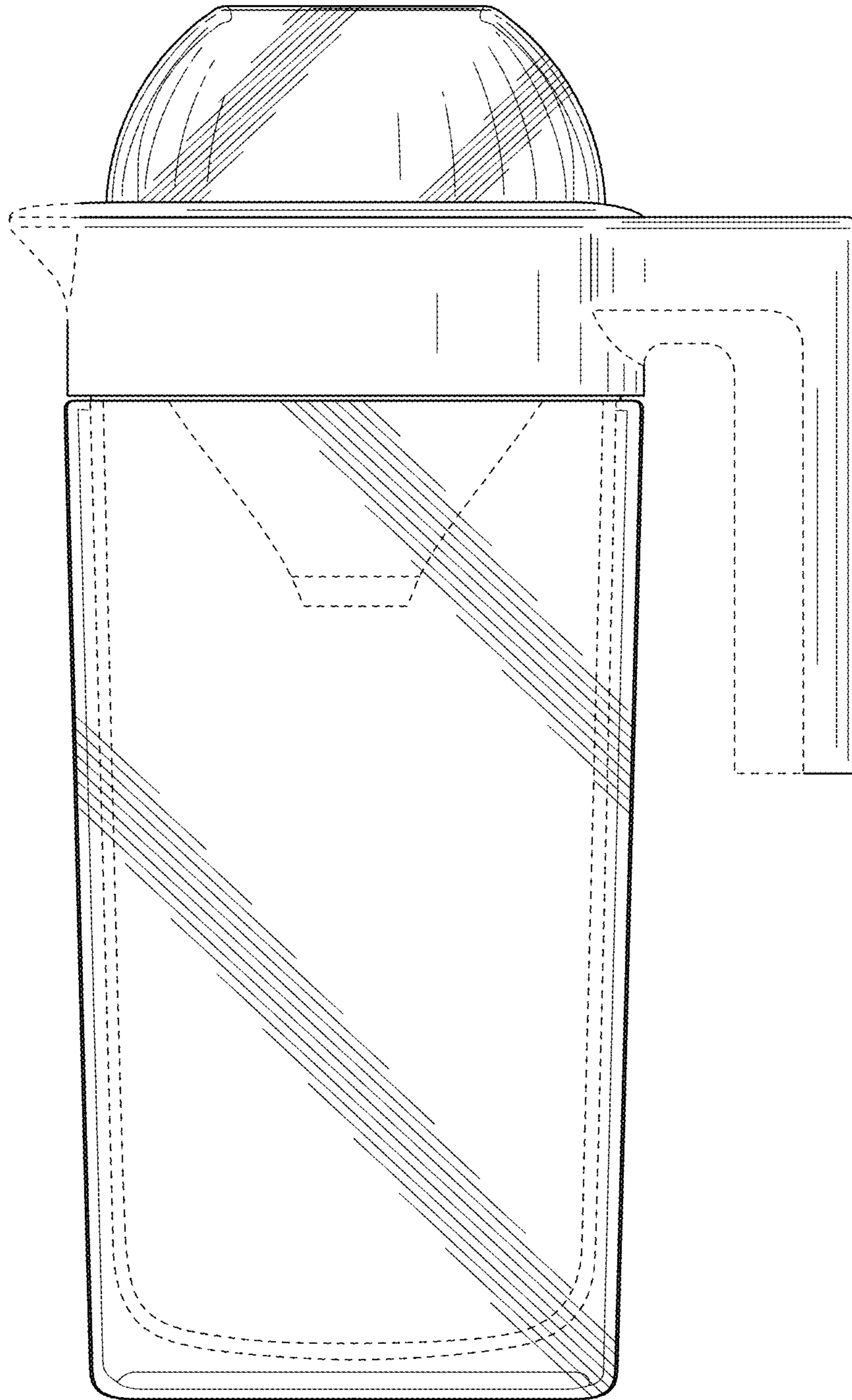


FIG. 4

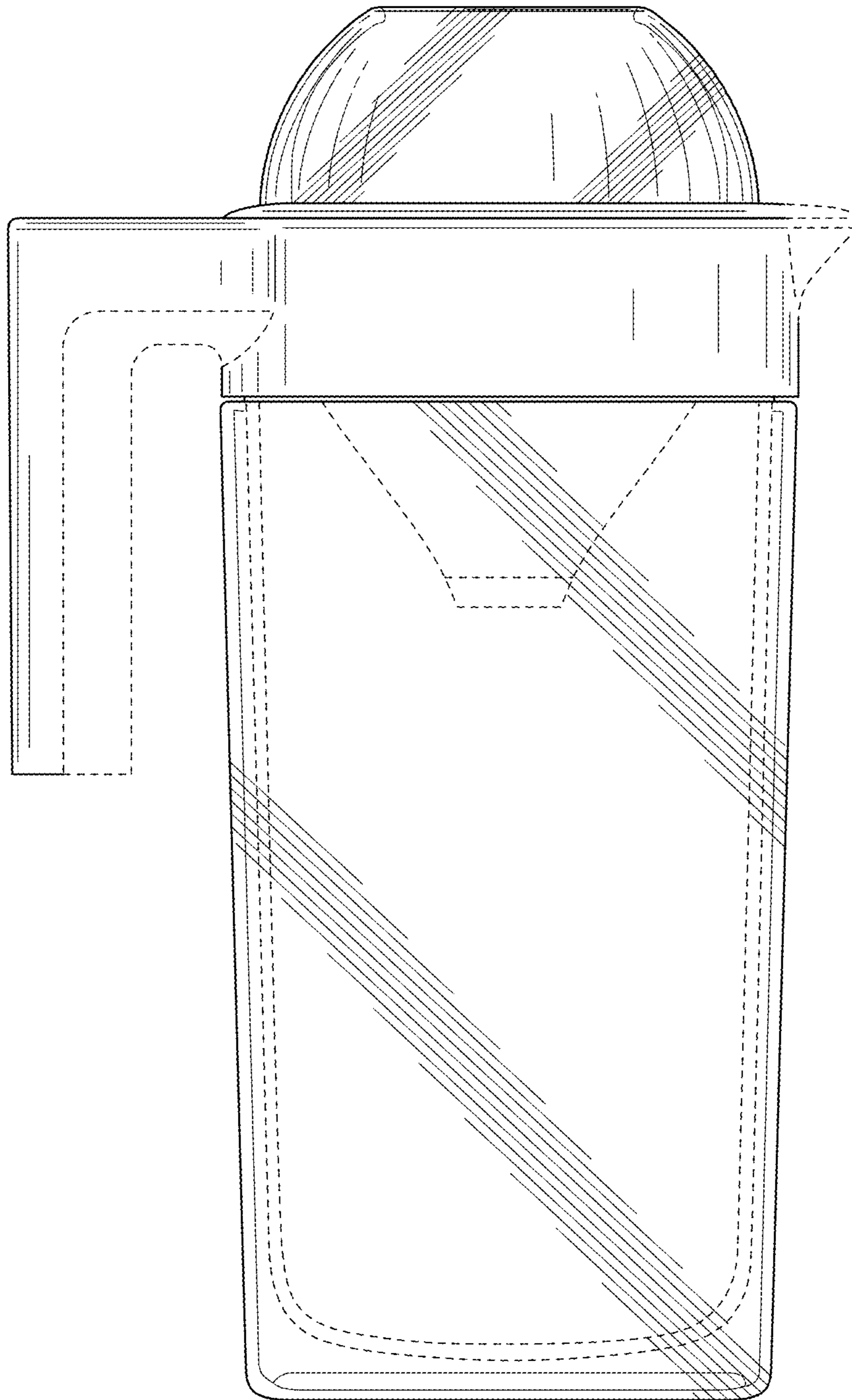


FIG. 5

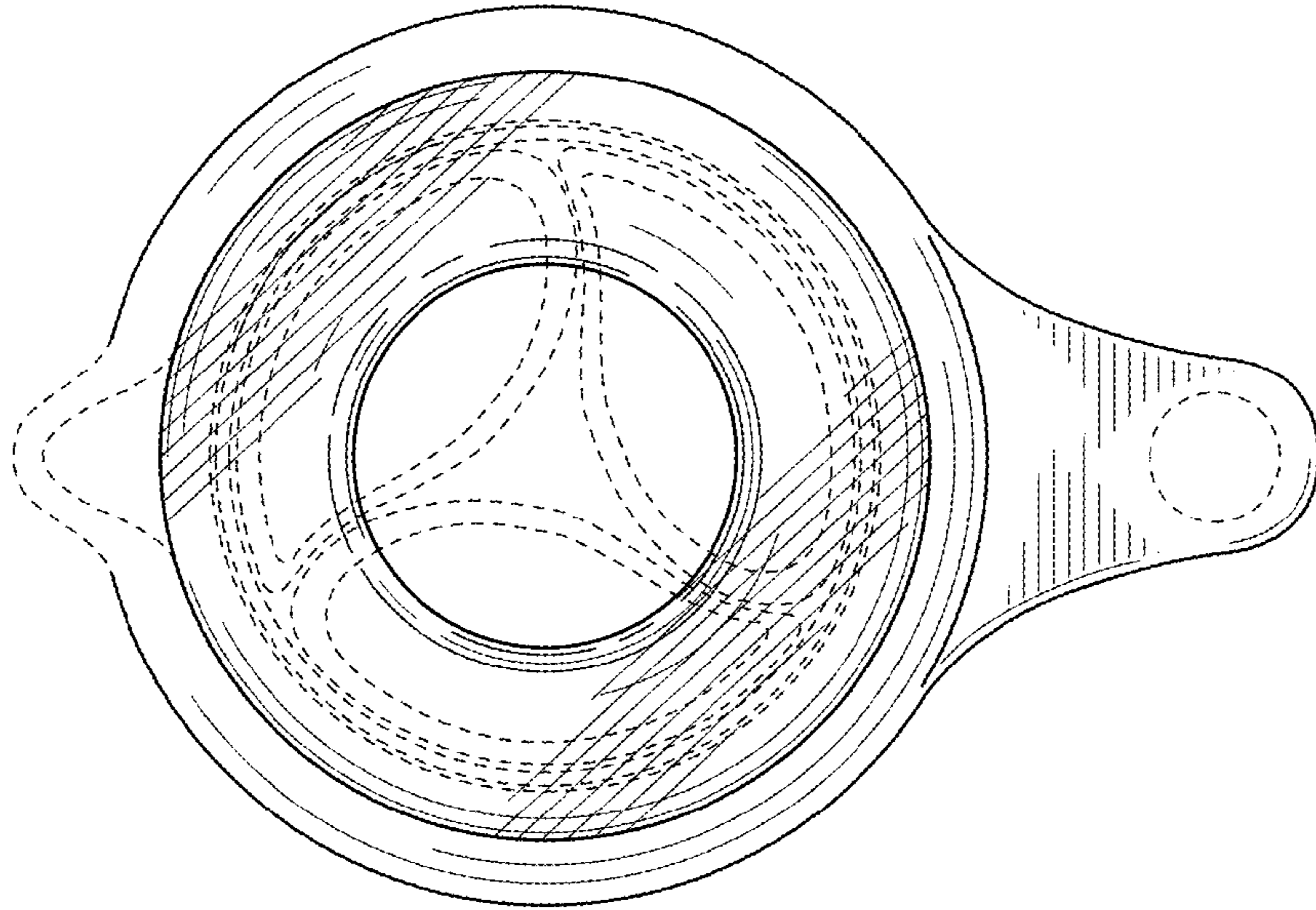


FIG. 6

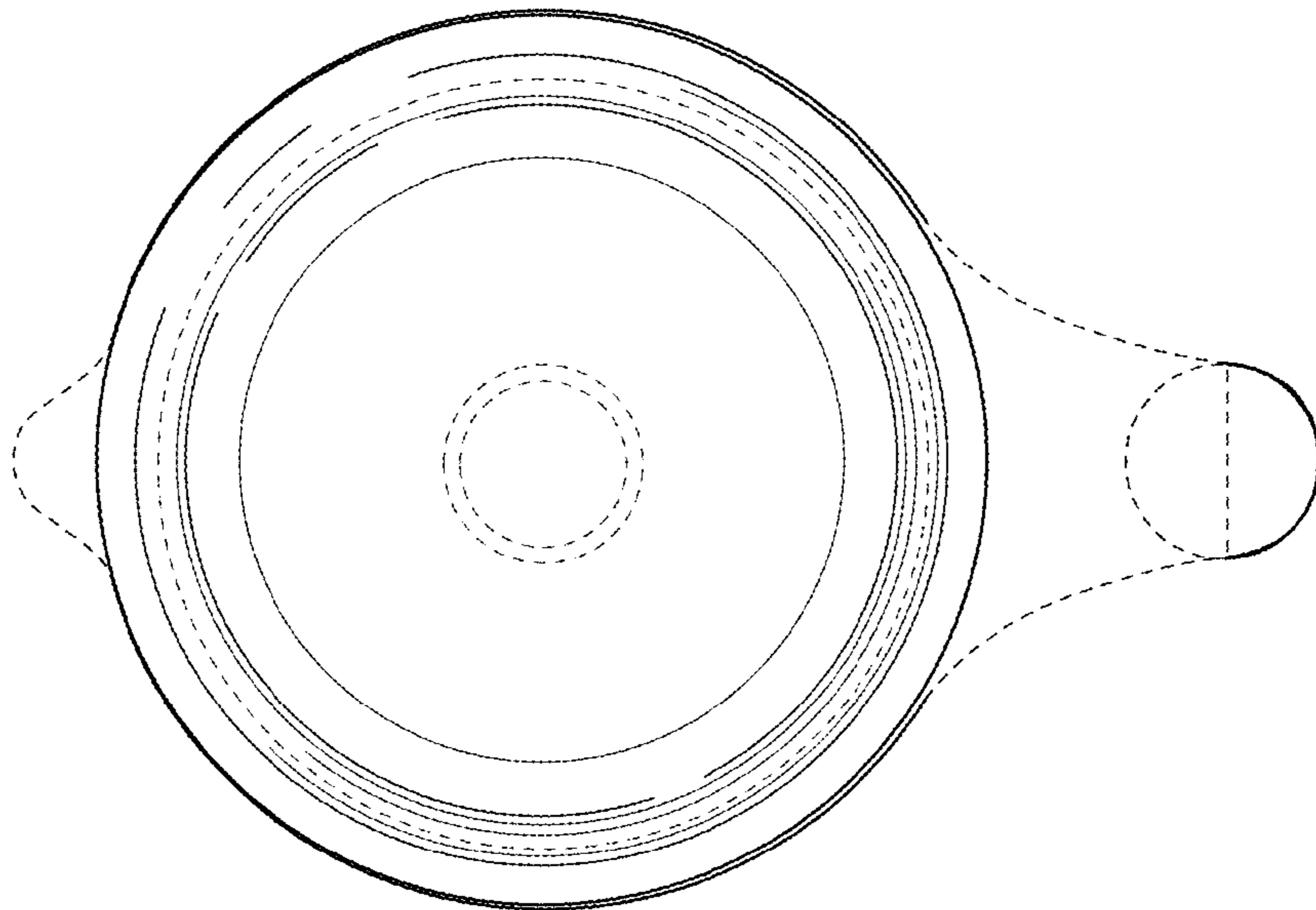


FIG. 7