



US00D697168S

(12) **United States Design Patent**
Rusten et al.

(10) **Patent No.:** **US D697,168 S**
(45) **Date of Patent:** **** Jan. 7, 2014**

(54) **GRATE**

(75) Inventors: **Bjorn Rusten**, Strum, WI (US); **Jon G. Siljudalen**, Husoysund (NO); **Terje Andersen**, Notteroy (NO); **Stephen Smith**, Houston, TX (US); **Laura Marcolini**, Cumberland, RI (US)

(73) Assignee: **BioWater Technology AS**, Tonsberg (NO)

(**) Term: **14 Years**

(21) Appl. No.: **29/394,272**

(22) Filed: **Jun. 15, 2011**

(30) **Foreign Application Priority Data**

Dec. 22, 2010 (NO) 2010 0748

(51) **LOC (10) Cl.** **23-01**

(52) **U.S. Cl.**
USPC **D23/207**

(58) **Field of Classification Search**
USPC D23/207, 209; D6/407, 449–450, 475, D6/626–630, 510; 210/616, 150; 261/94
See application file for complete search history.

(56) **References Cited**

U.S. PATENT DOCUMENTS

3,957,931	A *	5/1976	Ellis et al.	261/98
4,541,967	A *	9/1985	Masaki	261/95
D331,793	S *	12/1992	Erwes	D23/209
5,543,039	A *	8/1996	Odegaard	210/150
5,779,886	A *	7/1998	Couture	210/150
5,783,069	A *	7/1998	Frank	210/150
5,851,636	A *	12/1998	Lang et al.	428/167
6,007,915	A *	12/1999	Rukovena	428/397
6,126,829	A *	10/2000	Gunnarsson et al.	210/616
D459,932	S *	7/2002	Ellwanger	D6/571
D465,257	S *	11/2002	Van Olst et al.	D23/207

D465,348	S *	11/2002	Lucatello	D6/396
6,852,227	B1 *	2/2005	Petrone	210/616
6,889,963	B2 *	5/2005	Niknafs et al.	261/94
7,189,323	B2 *	3/2007	Lofqvist et al.	210/615
D553,393	S *	10/2007	Cassel	D6/479
D566,427	S *	4/2008	McConnell et al.	D6/475
D566,429	S *	4/2008	Roberts	D6/477
D592,898	S *	5/2009	Helle	D6/511
7,527,728	B2 *	5/2009	Jackson	210/150
D610,833	S *	3/2010	Grzybowksi et al.	D6/455
D611,568	S *	3/2010	Westrum	D23/207
D612,007	S *	3/2010	Brockdorff	D23/207
D615,336	S *	5/2010	Moysig	D6/571
D618,760	S *	6/2010	Flournoy et al.	D23/207
D619,201	S *	7/2010	Westrum	D23/207
D628,674	S *	12/2010	Dittmann et al.	D23/209
D631,557	S *	1/2011	Tajima et al.	D24/229
D645,116	S *	9/2011	McKean et al.	D23/207
D645,159	S *	9/2011	Loken	D24/232
D645,160	S *	9/2011	Loken	D24/232
D645,161	S *	9/2011	Loken	D24/232
D646,369	S *	10/2011	Nelson et al.	D23/365
D648,821	S *	11/2011	McKean et al.	D23/207
D661,778	S *	6/2012	Dempster et al.	D23/207

* cited by examiner

Primary Examiner — Kelley Donnelly

(74) *Attorney, Agent, or Firm* — Winstead PC

(57) **CLAIM**

The ornamental design for a grate, as shown and described.

DESCRIPTION

FIG. 1 is a front perspective view of the grate in accordance with the design:

FIG. 2 is a front view thereof;

FIG. 3 is a rear view thereof;

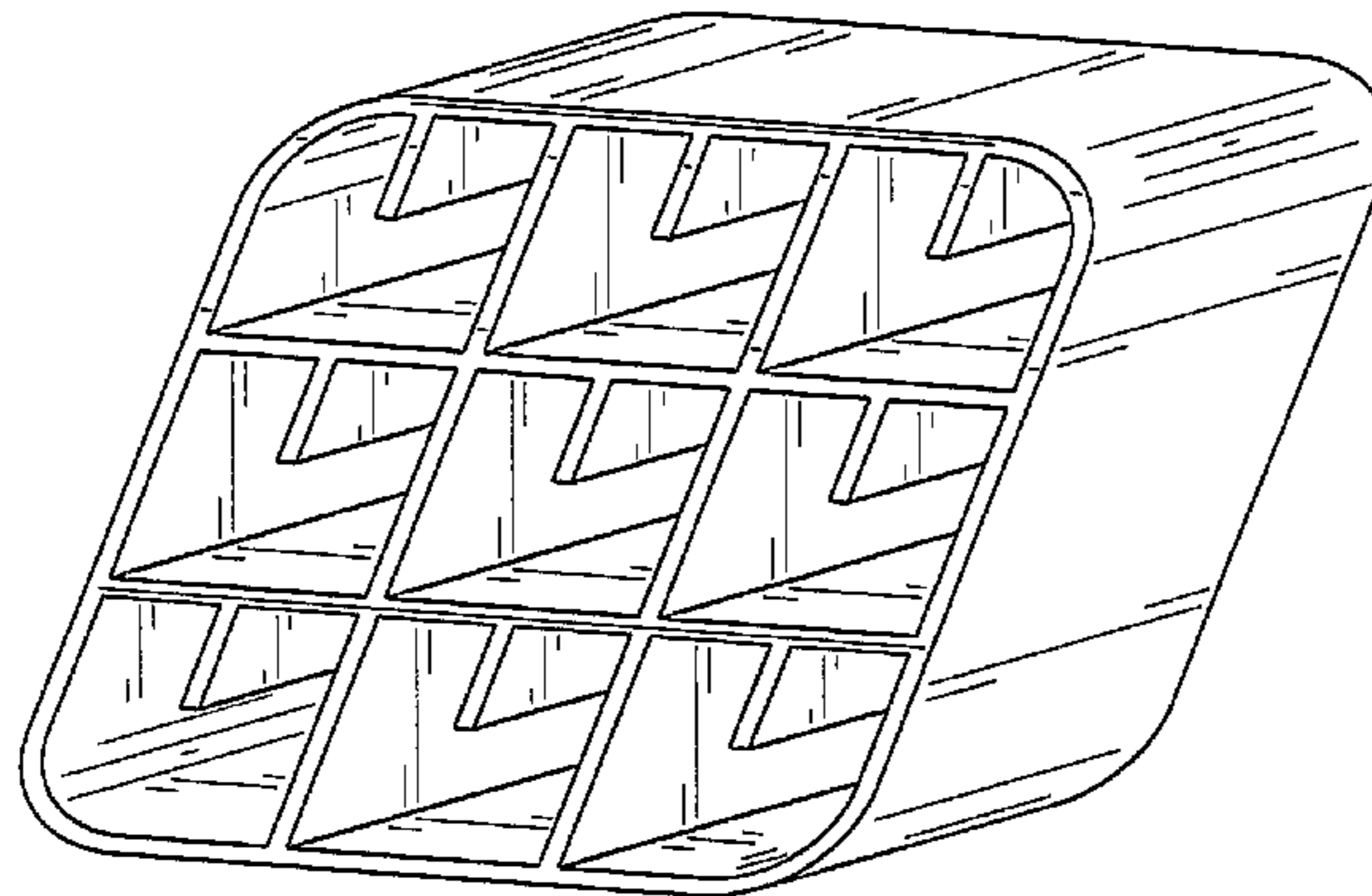
FIG. 4 is a left side view thereof;

FIG. 5 is a right side view thereof;

FIG. 6 is a top plan view thereof; and,

FIG. 7 is a bottom plan view thereof.

1 Claim, 5 Drawing Sheets



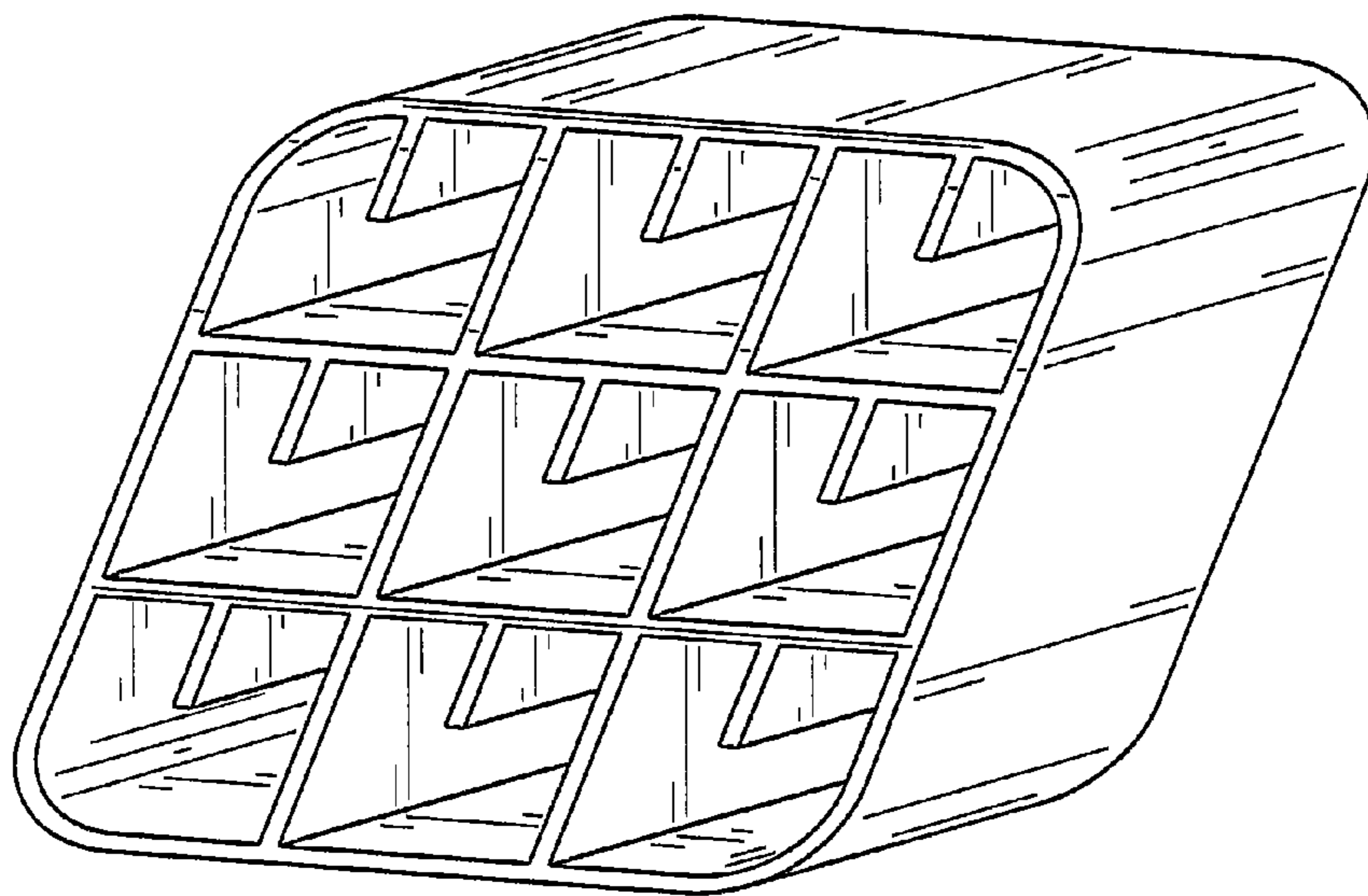


FIG. 1

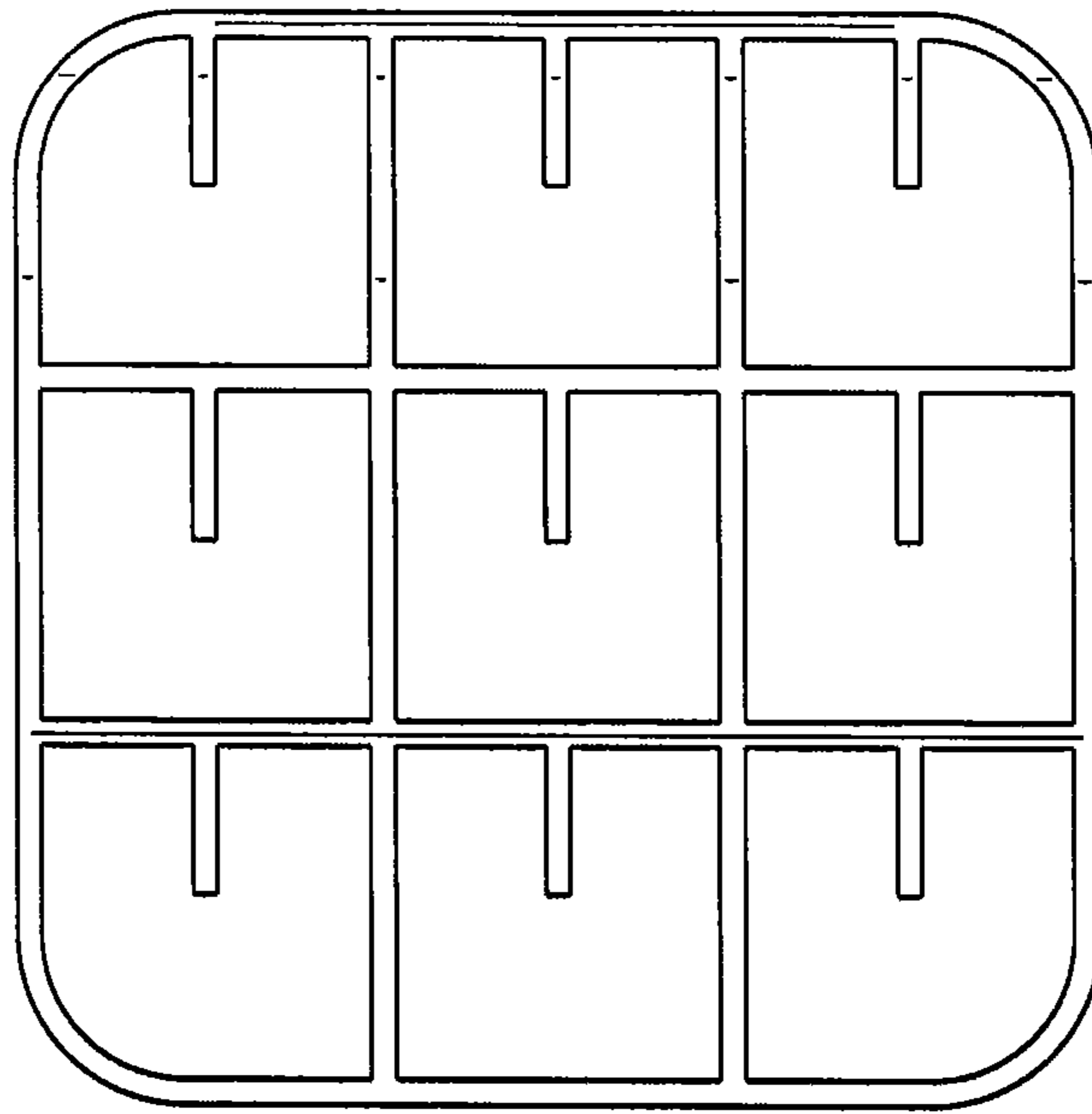


FIG. 2

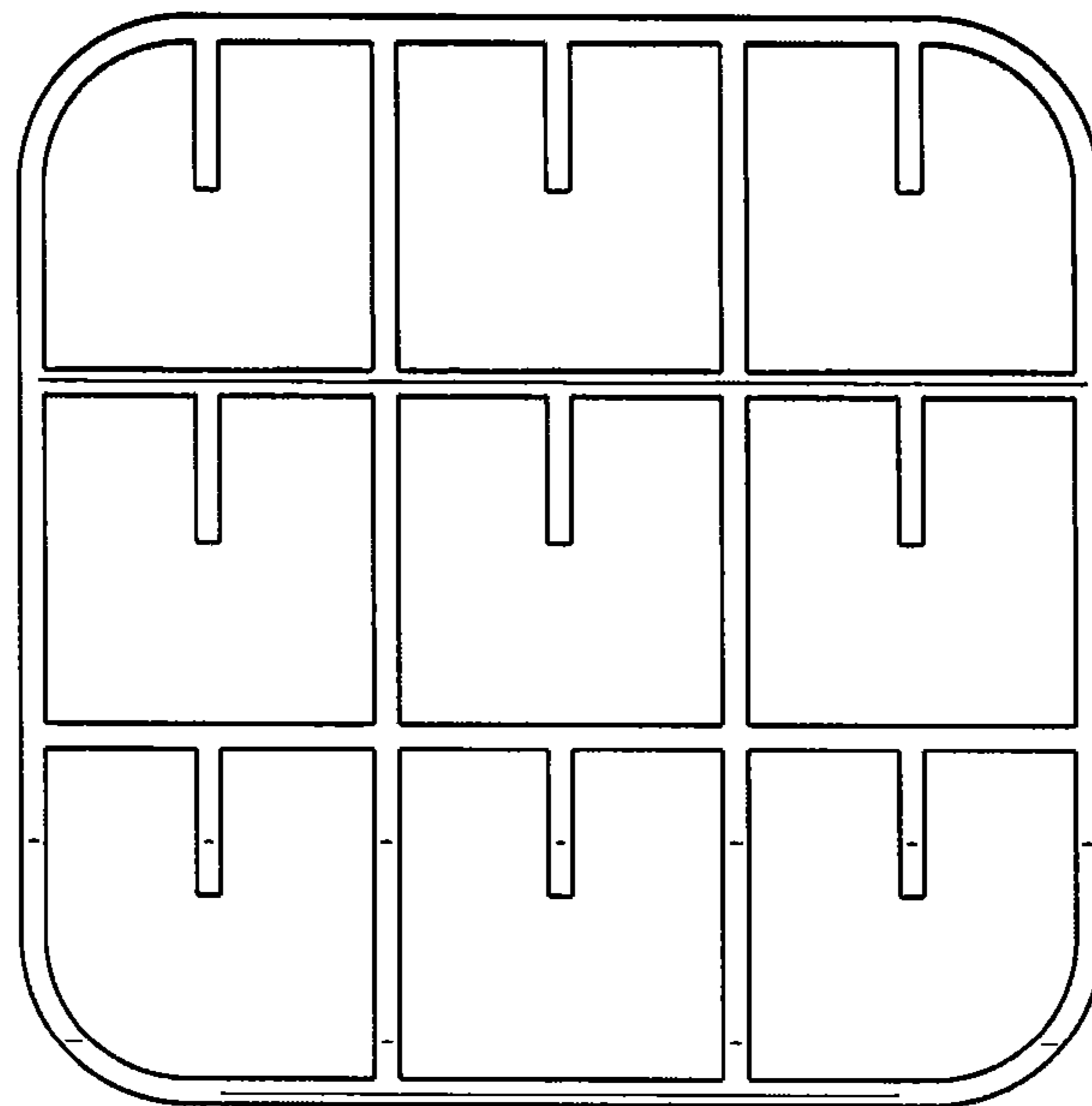


FIG. 3

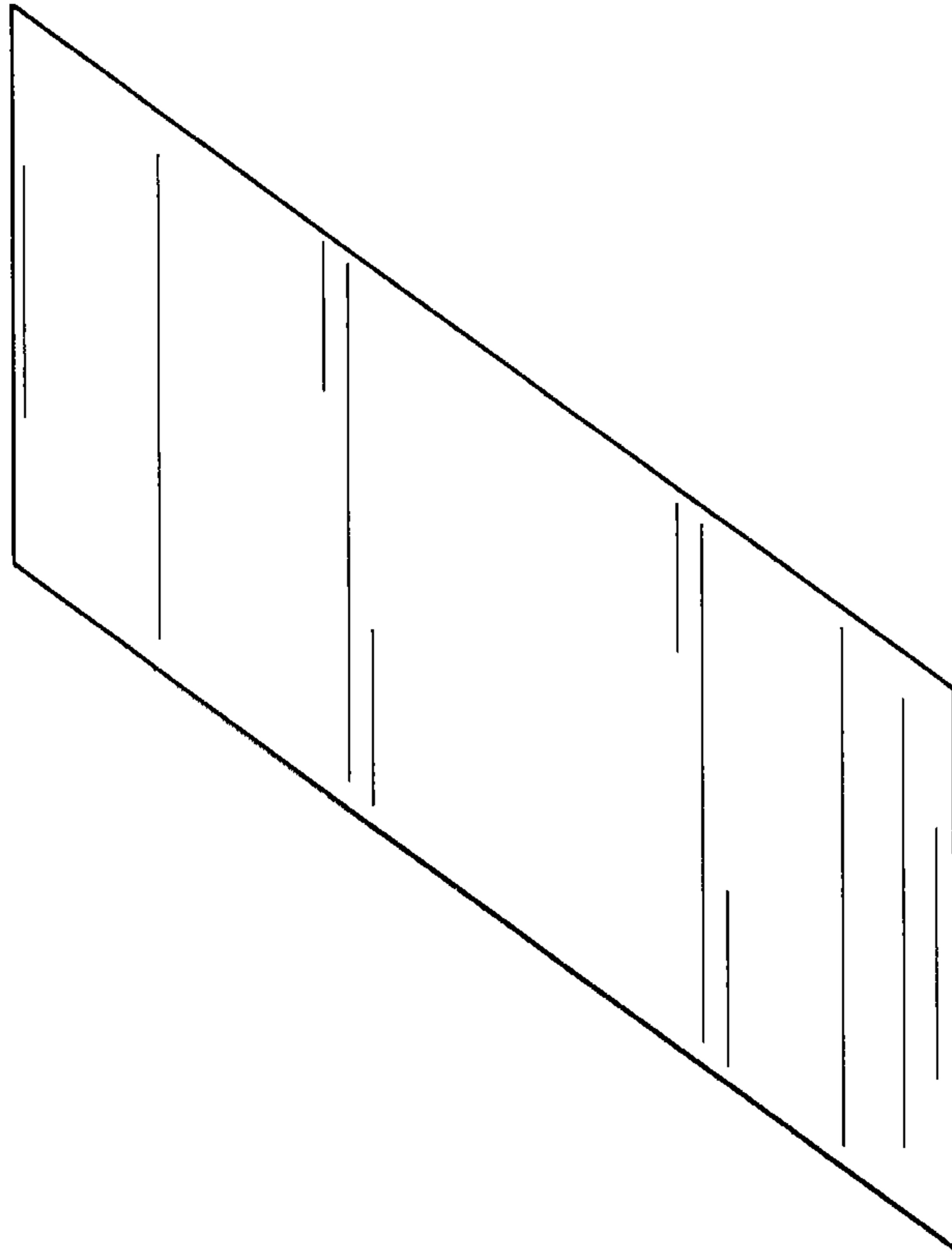


FIG. 5

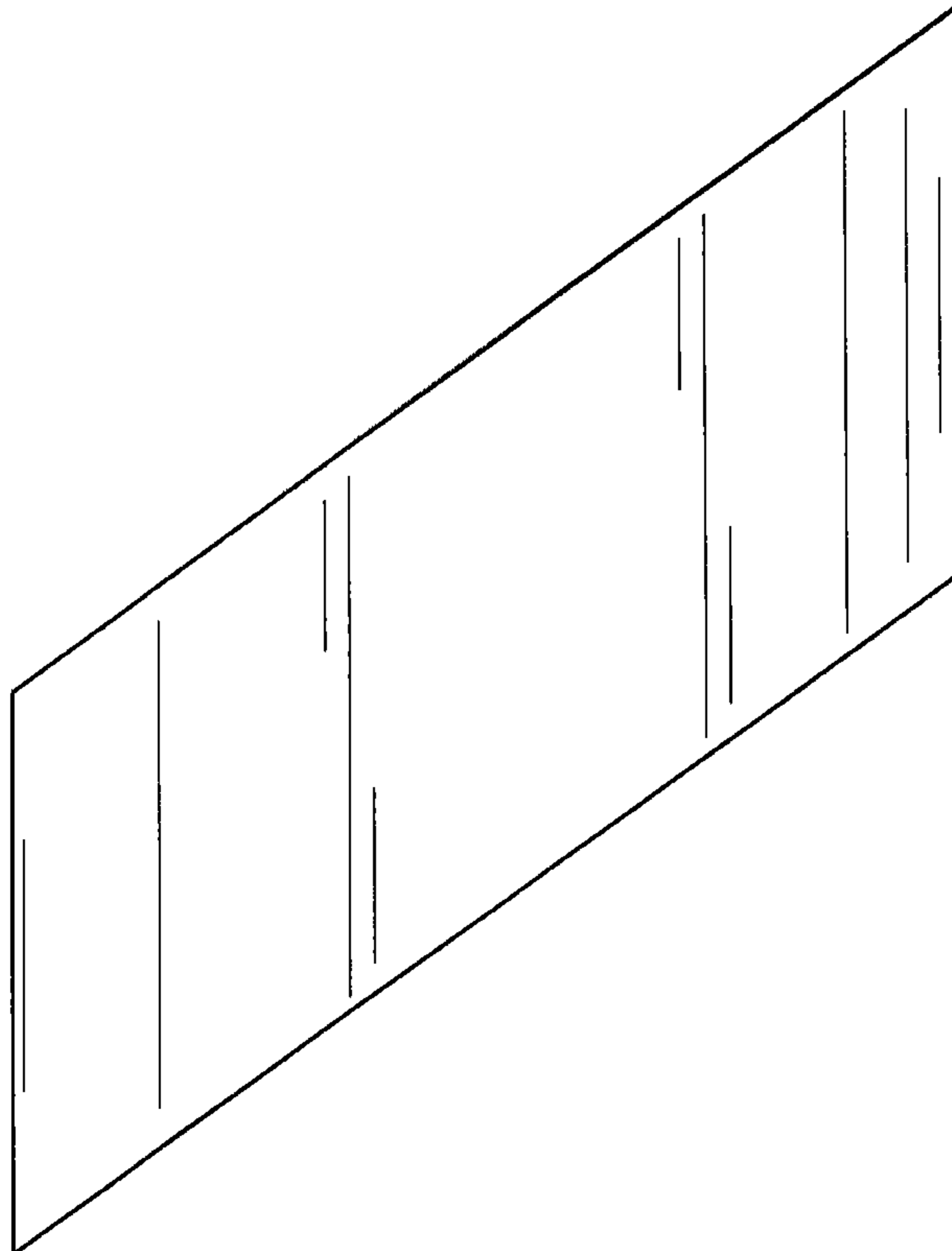


FIG. 4

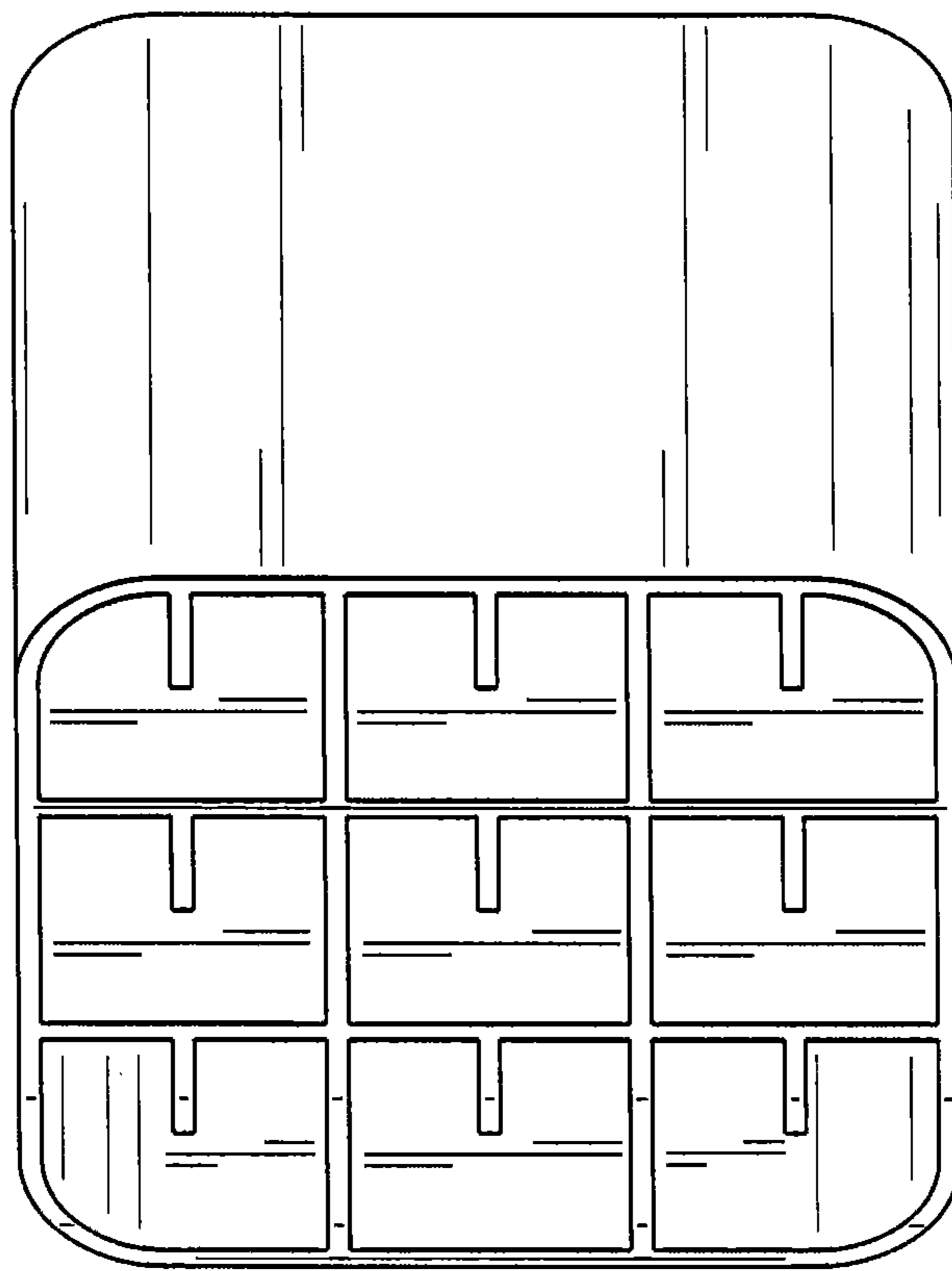


FIG. 6

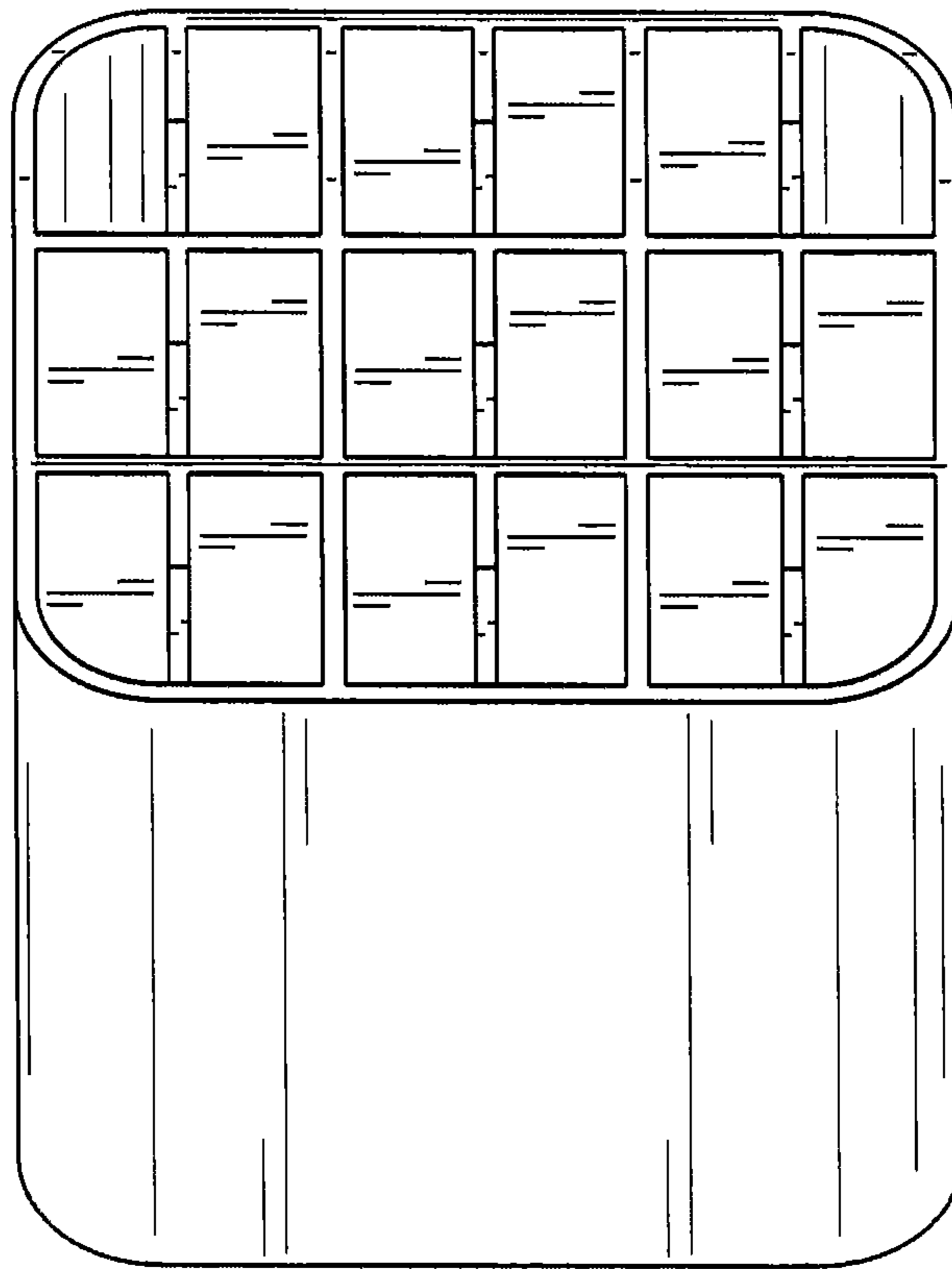


FIG. 7