



US00D697166S

(12) **United States Design Patent**
Martinson

(10) **Patent No.:** **US D697,166 S**
(45) **Date of Patent:** **** Jan. 7, 2014**

(54) **PORTABLE CAMOUFLAGE ASSEMBLY**

DESCRIPTION

- (71) Applicant: **Eric Stanton Martinson**, Almond, WI (US)
- (72) Inventor: **Eric Stanton Martinson**, Almond, WI (US)
- (**) Term: **14 Years**
- (21) Appl. No.: **29/433,584**
- (22) Filed: **Oct. 2, 2012**
- (51) **LOC (10) Cl.** **22-99**
- (52) **U.S. Cl.**
USPC **D22/199**
- (58) **Field of Classification Search**
USPC D22/125, 199; 43/1; 135/90, 115, 117,
135/120.4, 901; 182/16, 187; 428/8, 195.1,
428/919
See application file for complete search history.

FIG. 1 is a perspective view of the portable camouflage assembly illustrating the manner in which my new design may be employed;

FIG. 2 is a perspective view of the branch holder enlarged from those shown in FIG. 1 for clarity;

FIG. 3 is a top view of the engirdling strap of my new design, the bottom view opposite being a mirror image;

FIG. 4 is a left side view of the engirdling strap of my new design, the right side opposite being a mirror image;

FIG. 5 is an exploded side view of exemplary upper and lower grommet members of my new design, all sides of each respectively being identical from a radial perspective;

FIG. 6 is a right side view of a grommet and engirdling strap, the left side opposite being a mirror image;

FIG. 7 is a top view of an exemplary lower grommet member, the bottom view opposite being a mirror image;

FIG. 8 is a top view of an exemplary upper grommet member, the bottom view opposite being a mirror image;

FIG. 9 is a top view of the cinching strap and cinching clamp of my new design;

FIG. 10 is a right side view of the cinching strap and cinching clamp of my new design, the left side opposite being a mirror image;

FIG. 11 is bottom view of the cinching strap and cinching clamp of my new design;

FIG. 12 is a perspective view of the cinching clamp and a portion of the cinching strap of my new design;

FIG. 13 is a perspective view of a S-hook connector and a portion of the engirdling strap top and grommet of my new design;

FIG. 14 is a rear view a of a branch holder showing the O-ring groove, receptor, stop flange, neck and retention head of my new design;

FIG. 15 is a bottom view a of a branch holder showing a receptor;

FIG. 16 is a cross sectional view of the bottom of the branch holder receptor portion shown along line 16-16 of FIG. 14;

FIG. 17 is a diagonal cross sectional slice of the branch holder shown along line 17-17 of FIG. 14;

FIG. 18 is a cross sectional view of the top portion of the branch holder shown along line 18-18 of FIG. 14;

(56) **References Cited**

U.S. PATENT DOCUMENTS

3,616,105	A	10/1971	Marks	
4,517,230	A	5/1985	Crawford	
4,782,616	A	11/1988	Hambleton	
4,813,441	A	3/1989	Kepley	
4,937,109	A	6/1990	Lin	
5,669,403	A *	9/1997	Belcher et al.	135/90
6,058,685	A	5/2000	Wotring	
6,116,563	A	9/2000	Tsai	
6,306,471	B1	10/2001	Pitman et al.	
6,708,340	B1	3/2004	Dondero	
7,051,839	B1	5/2006	George	
7,100,626	B2 *	9/2006	Livacich	135/90
7,568,492	B1 *	8/2009	Helmer	135/117

* cited by examiner

Primary Examiner — Catheri Oliver-Garcia
(74) *Attorney, Agent, or Firm* — Loyd W. Bonneville, Atty

(57) **CLAIM**

The ornamental design for a portable camouflage assembly, as shown and described.

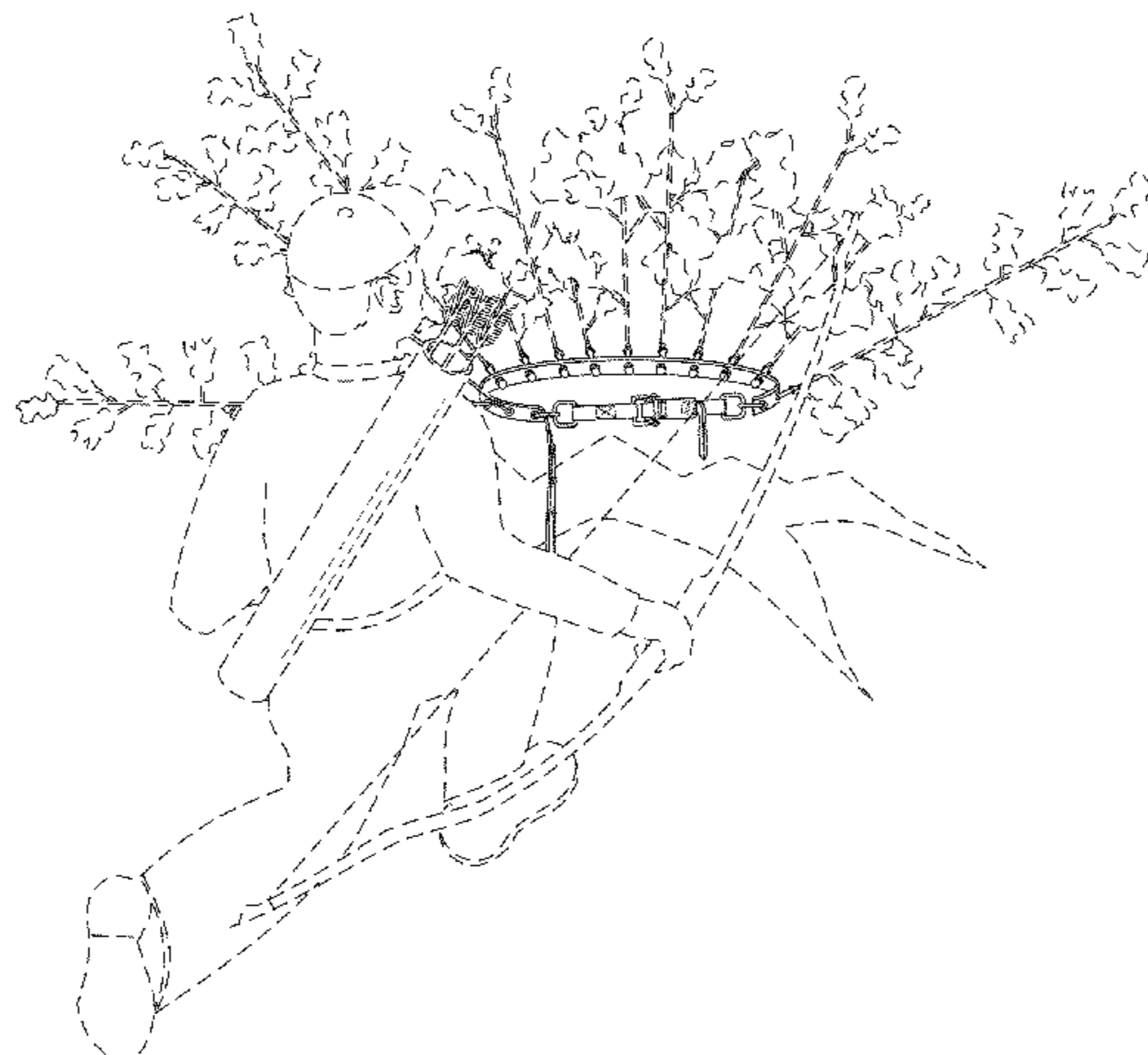


FIG. **19** is a top view a of a branch holder showing the head and stop flange;

FIG. **20** is a top view a of the O-ring of a branch holder, the bottom view opposite being a mirror image;

FIG. **21** is a right side view of the O-ring of my new design, all sides of each respectively being identical from a radial perspective;

FIG. **22** is a right side view of a branch holder showing the O-ring groove, receptor, stop flange, neck and retention head of my new design together with a portion of the engirdling strap and a grommet;

FIG. **23** is a perspective view of a branch holder; and, FIG. **24** is a rear view a of a branch holder showing the O-ring groove, receptor, stop flange, neck and retention head of my new design illustrating the manner in which my new design may be employed.

The broken lines in FIG. **1** and FIG. **24** illustrate environmental structure which form no part of the claimed design.

Portions of the engirdling strap are shown broken away for convenience of illustration or to indicate indeterminate length.

1 Claim, 5 Drawing Sheets

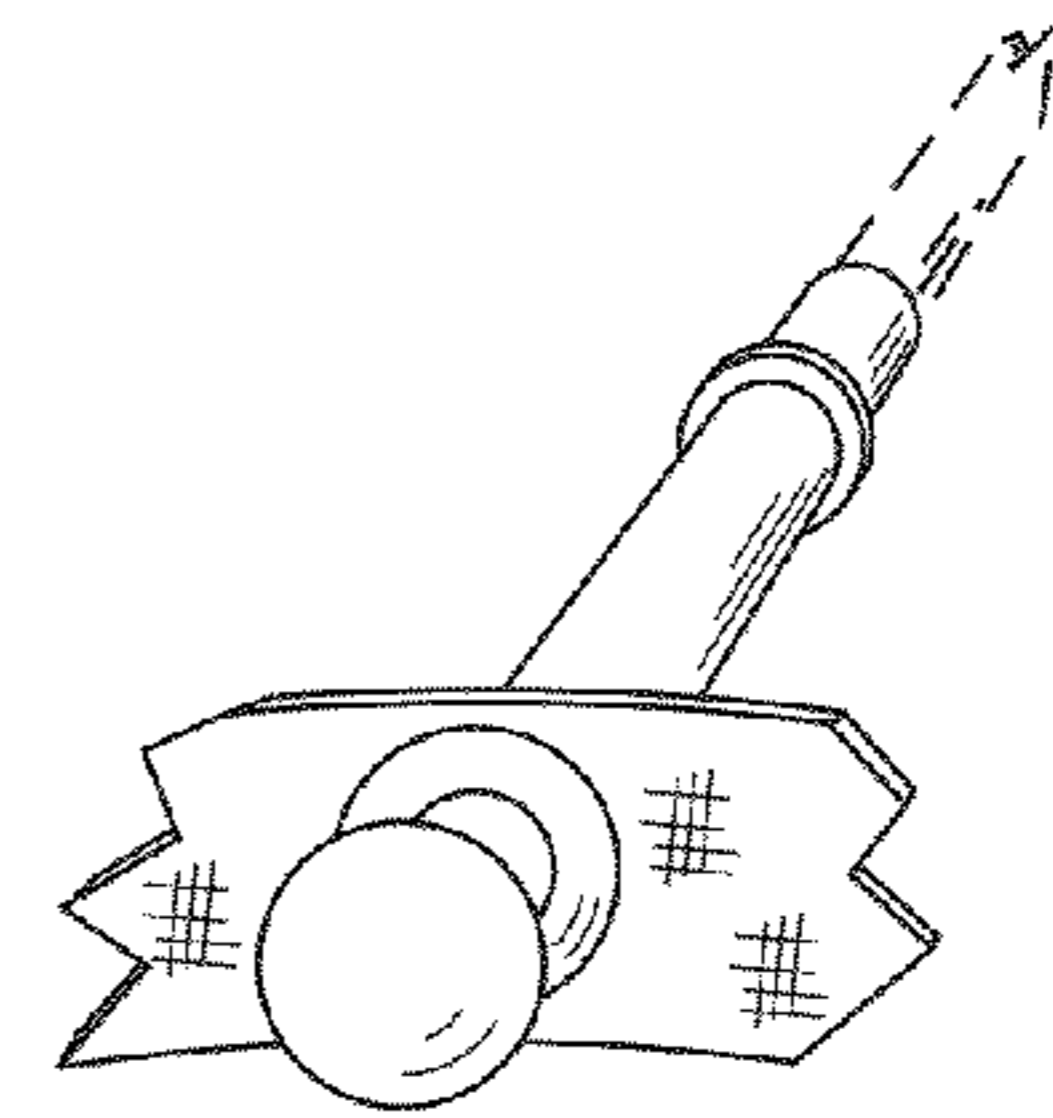
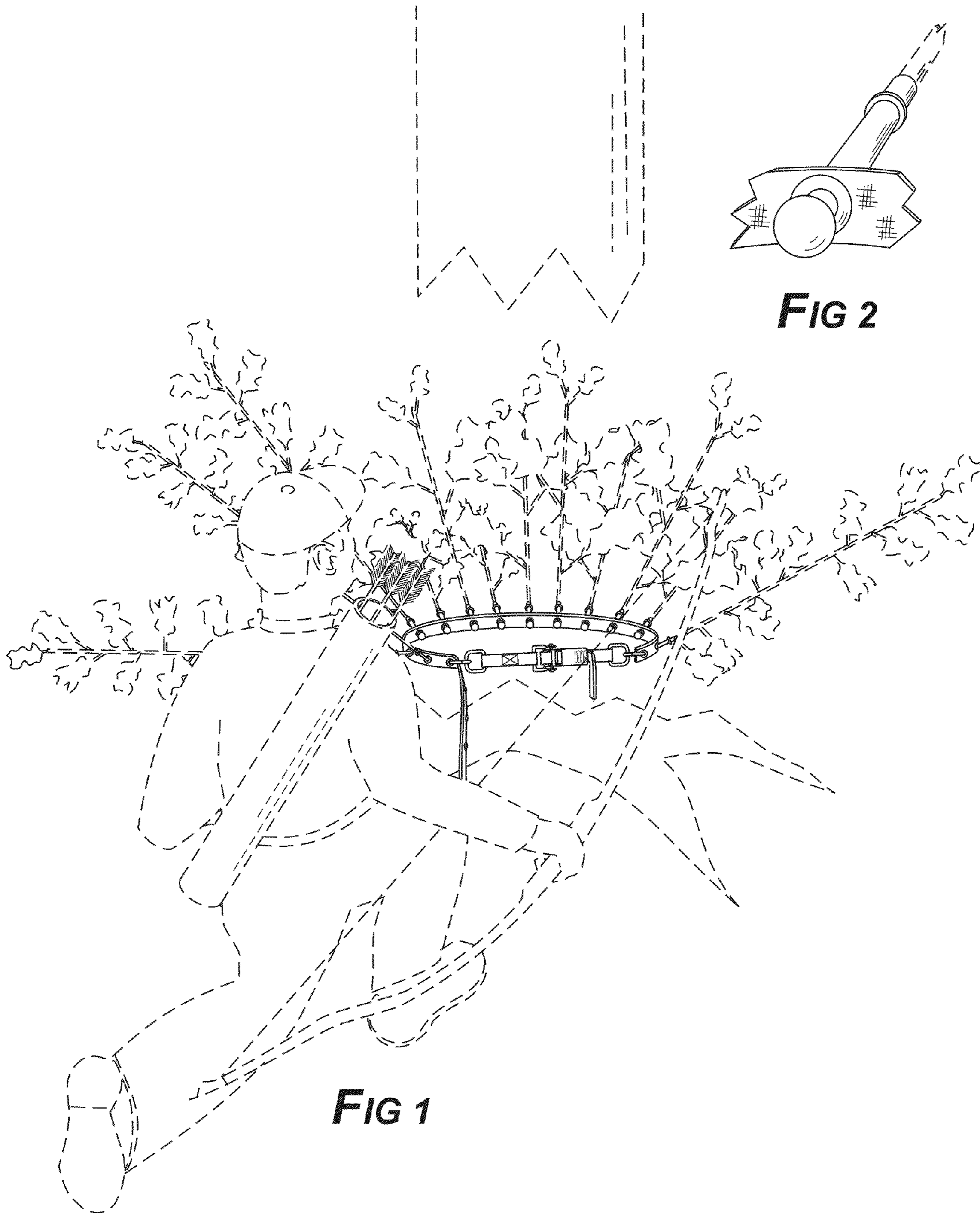


FIG 2

FIG 1

FIG 3

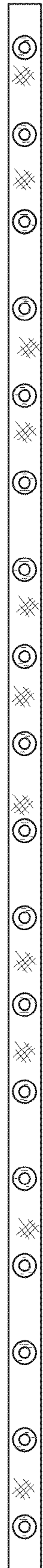


FIG 4



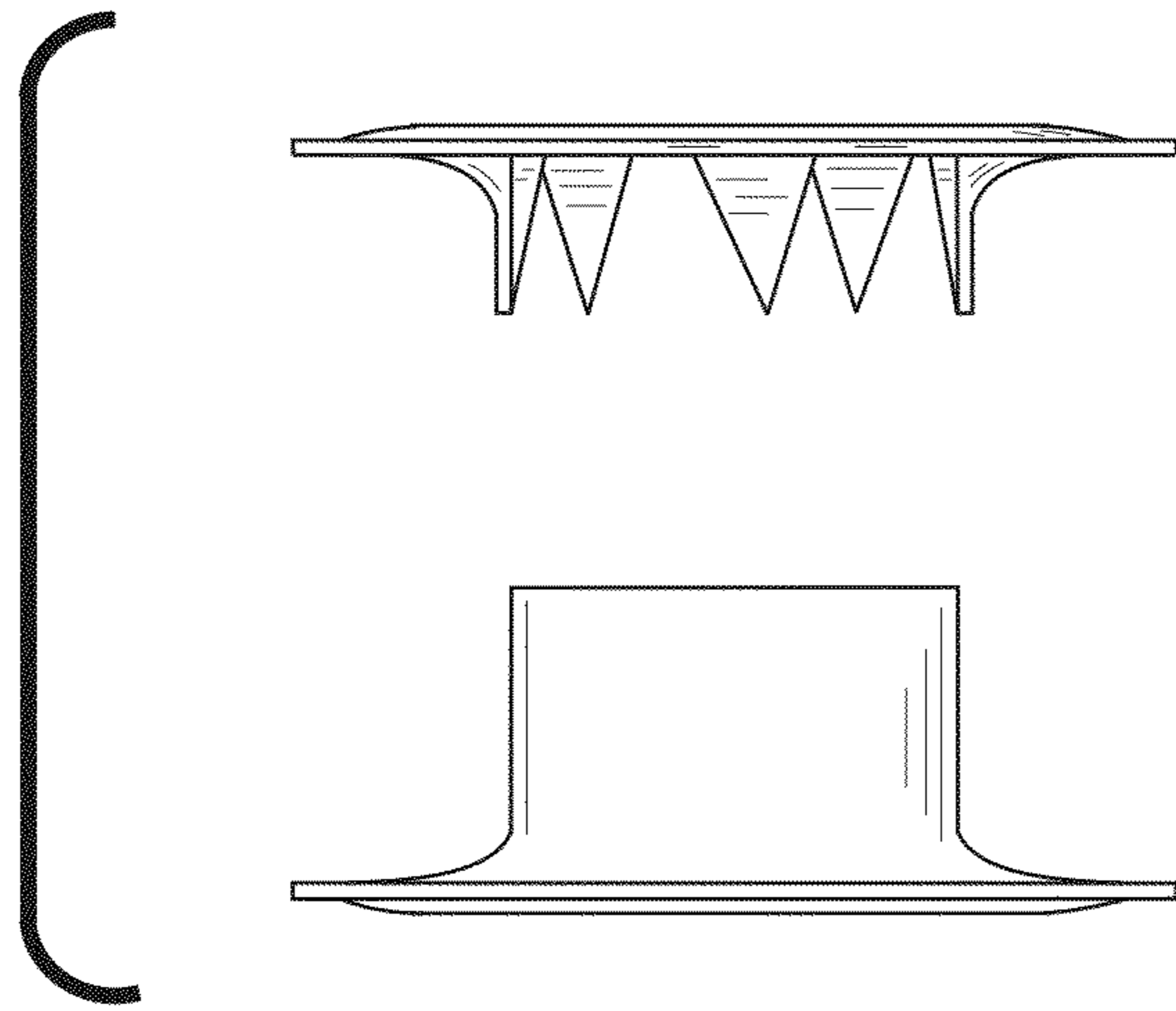


FIG 5

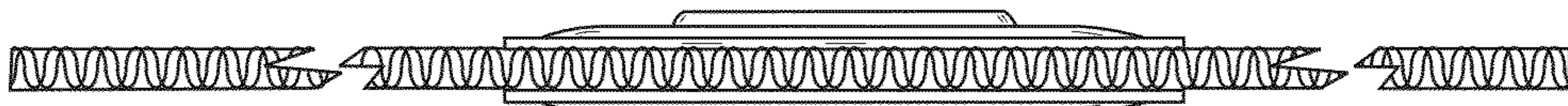


FIG 6

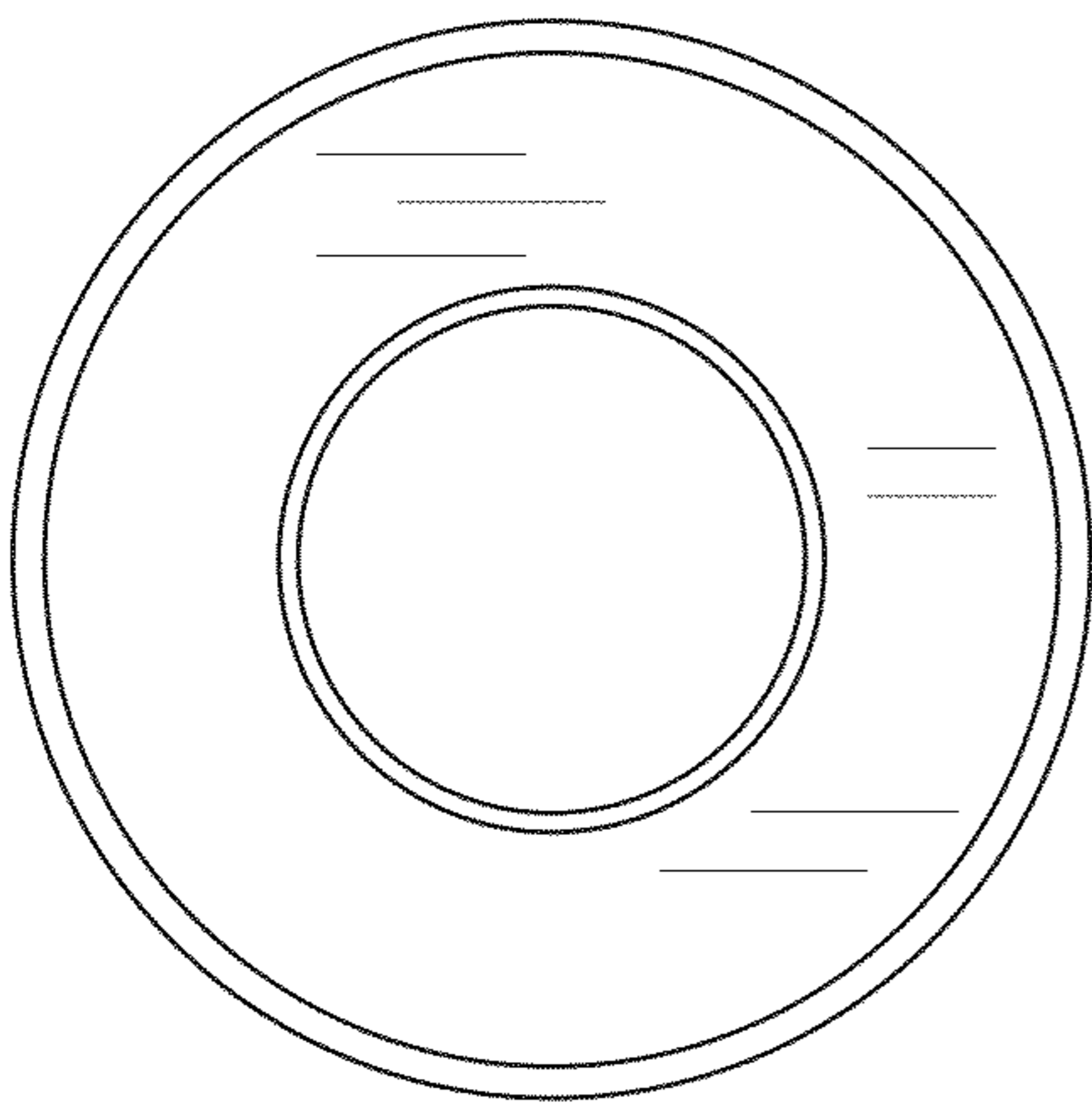


FIG 7

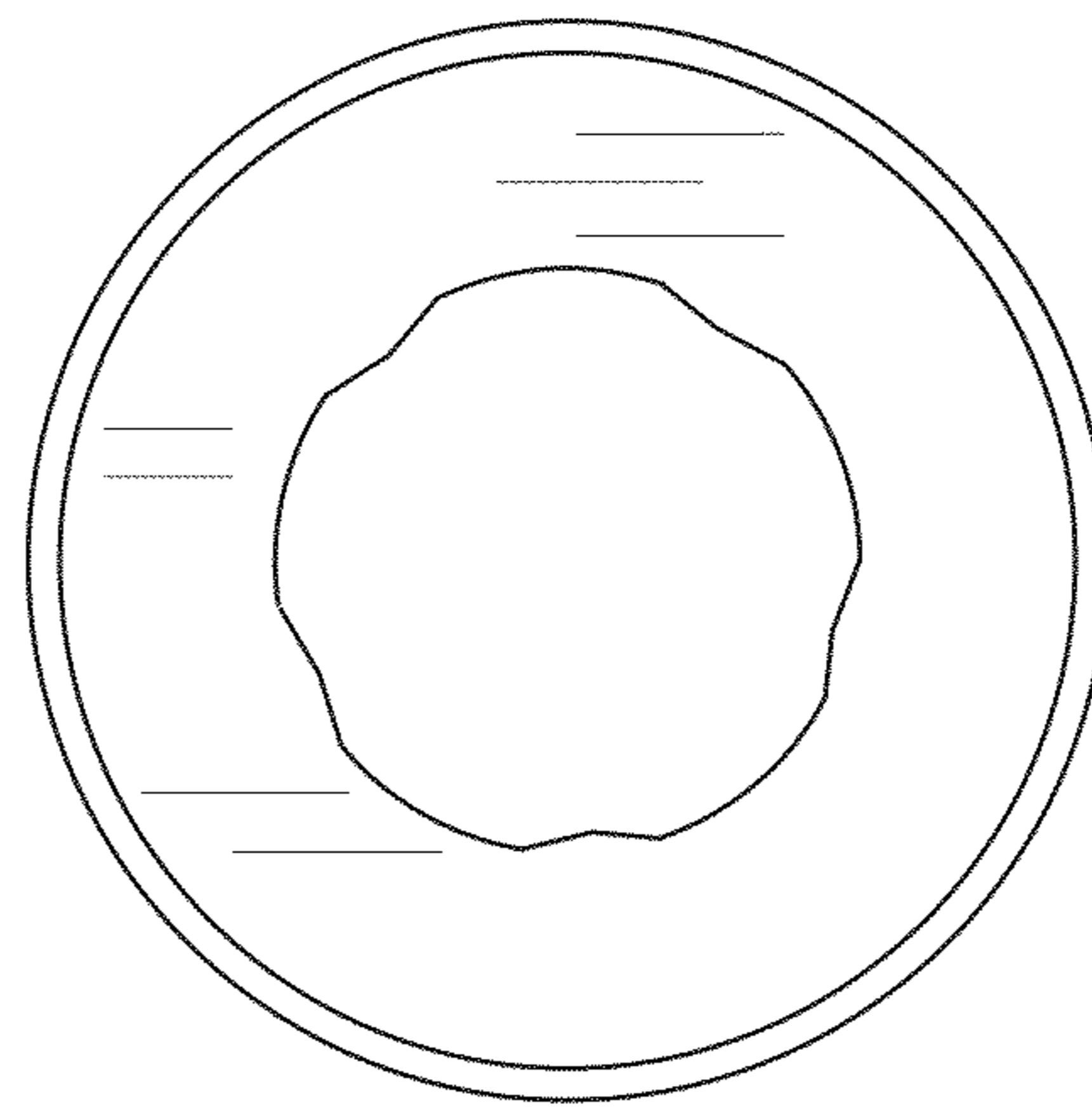


FIG 8

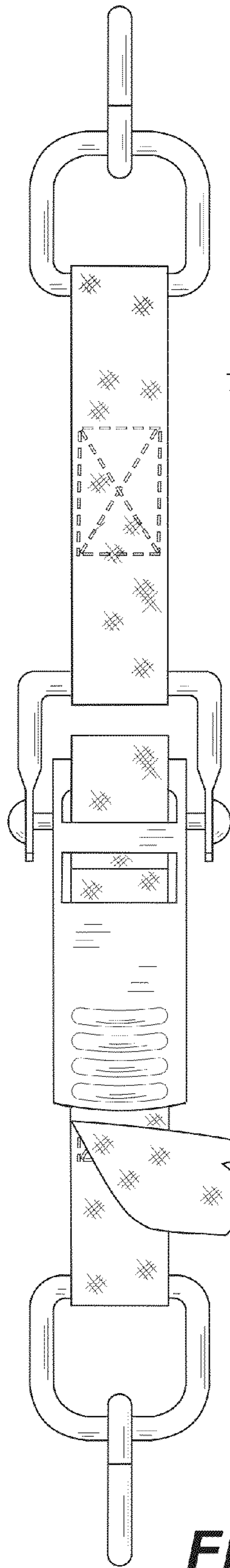


FIG 9

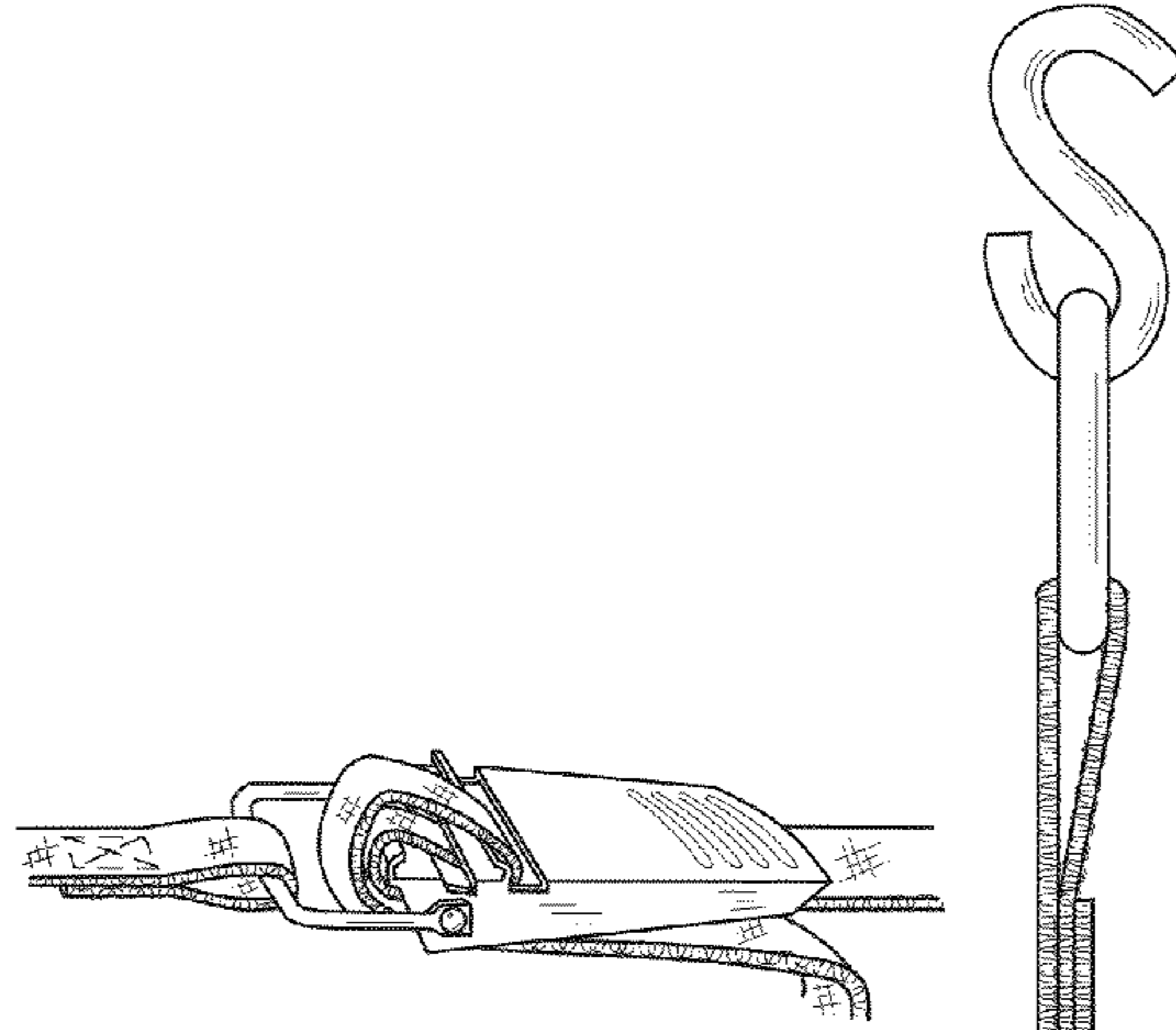


FIG 12

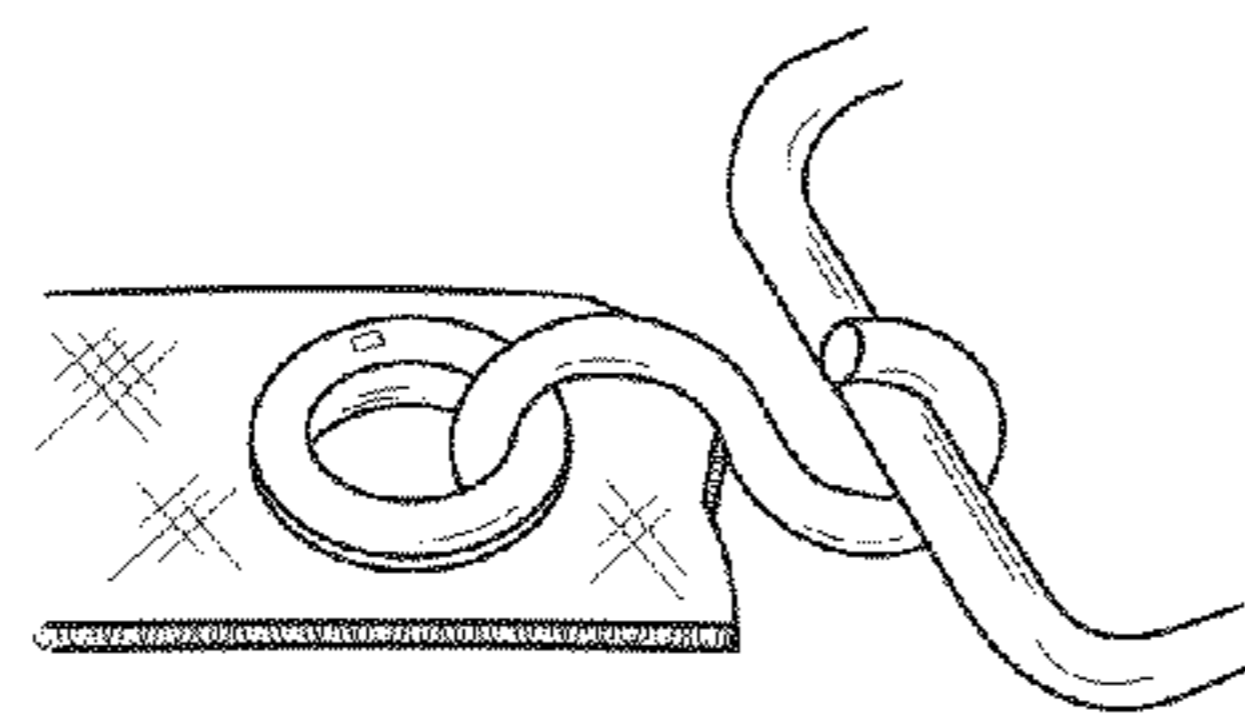


FIG 13

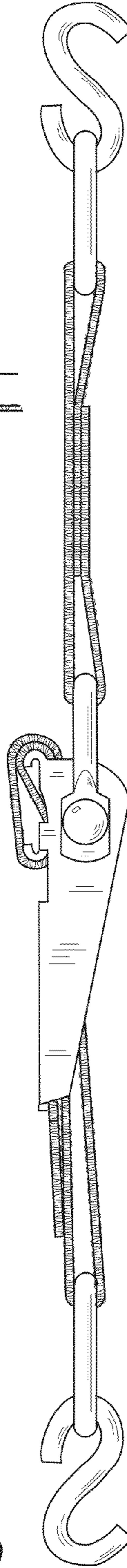


FIG 10

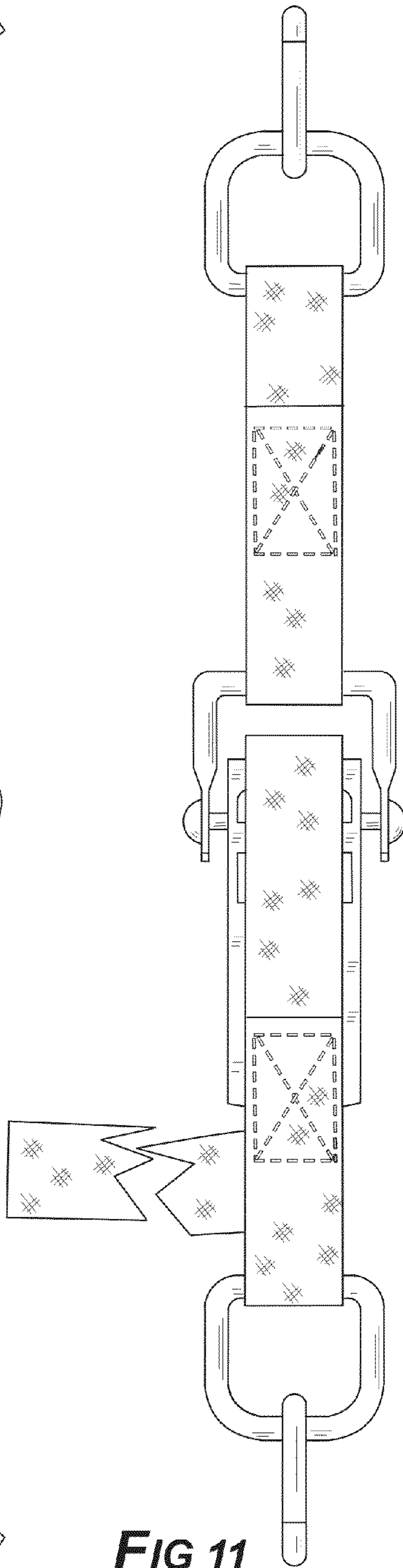


FIG 11

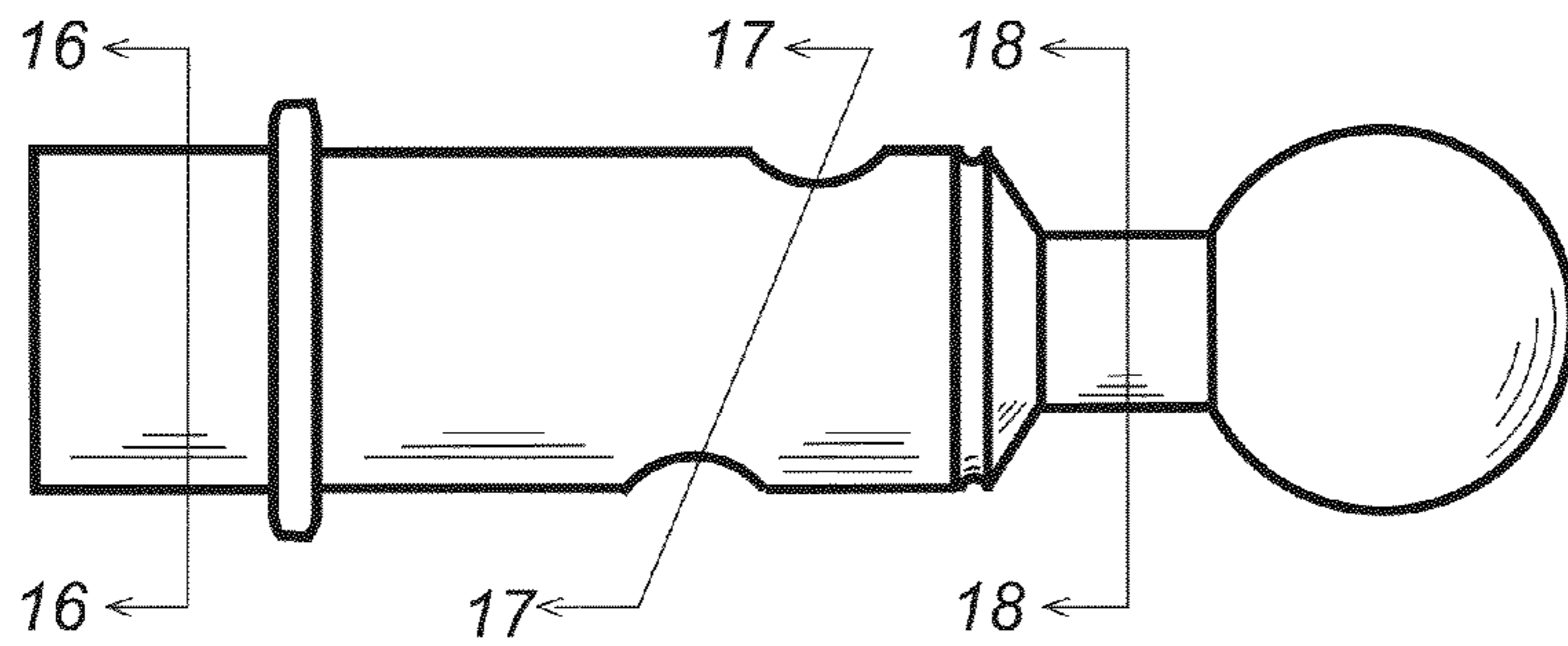


FIG 14

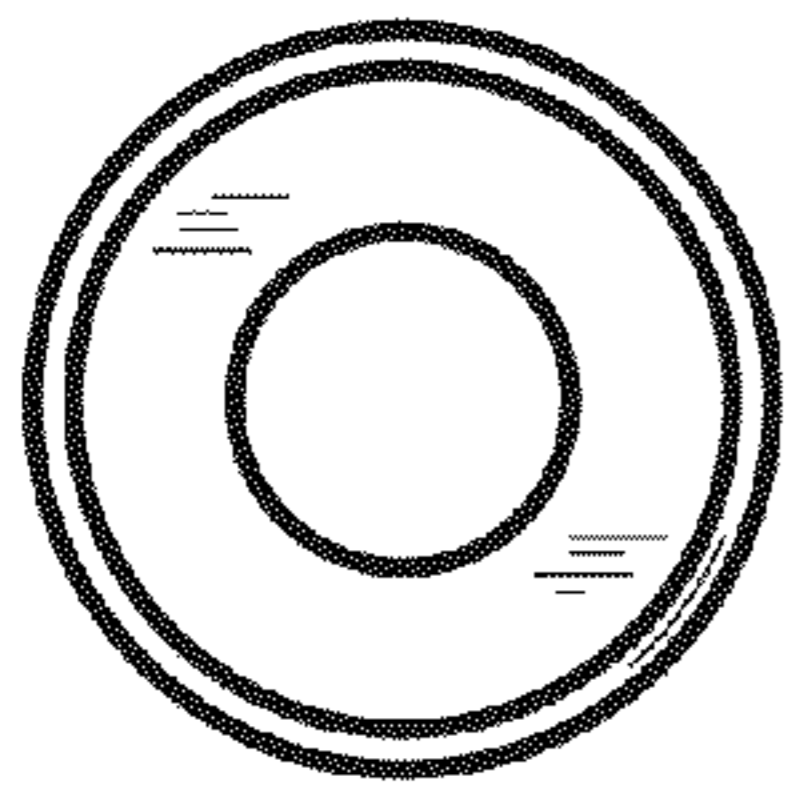


FIG 15

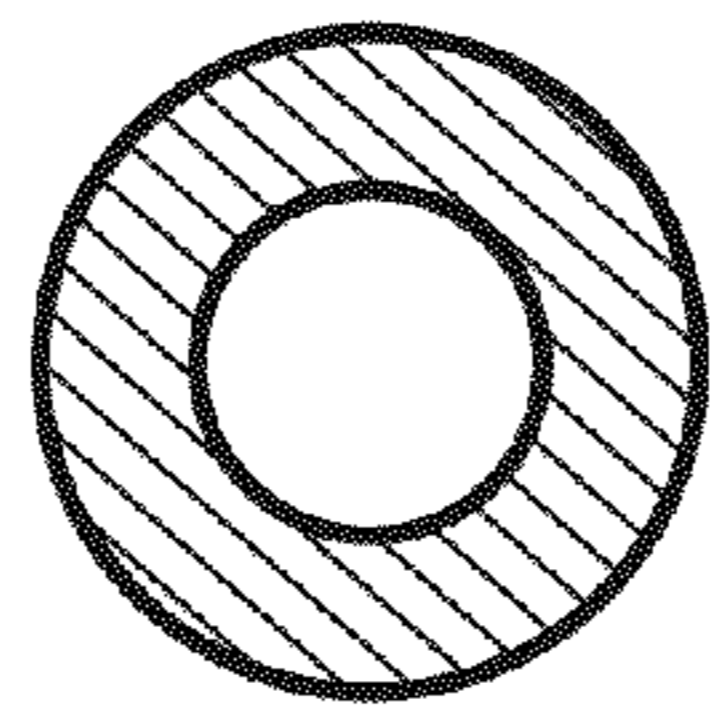


FIG 16

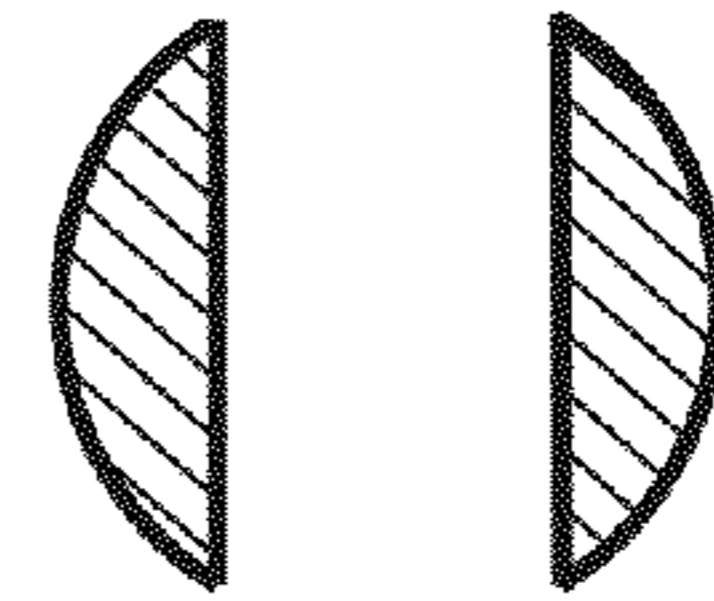


FIG 17

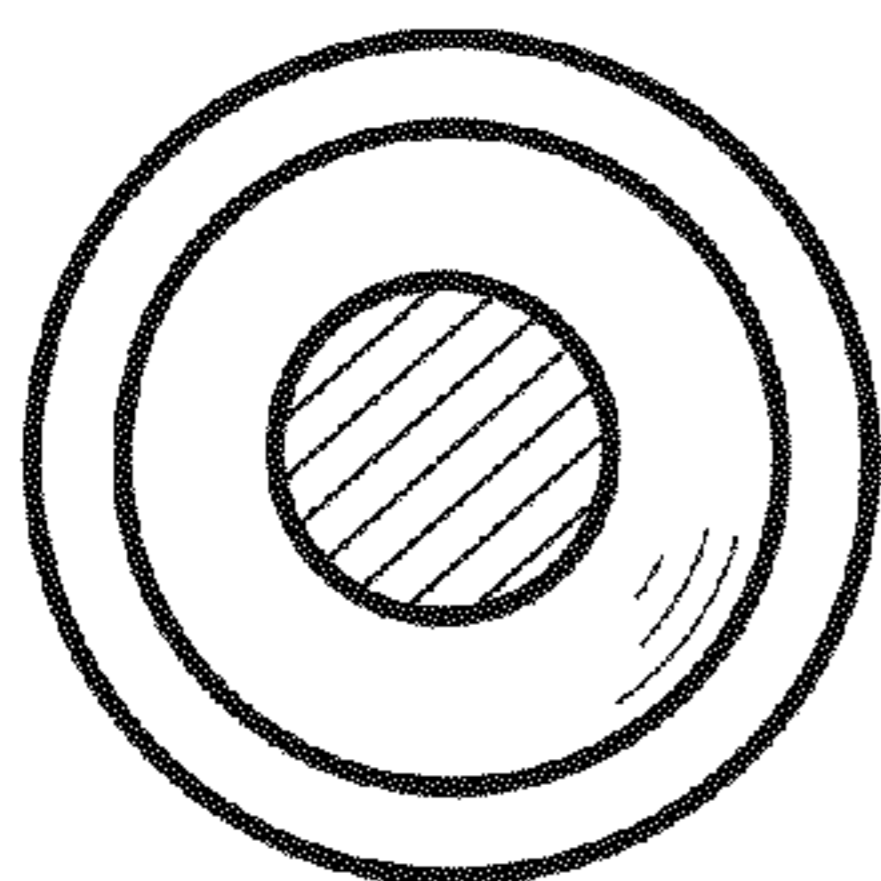


FIG 18

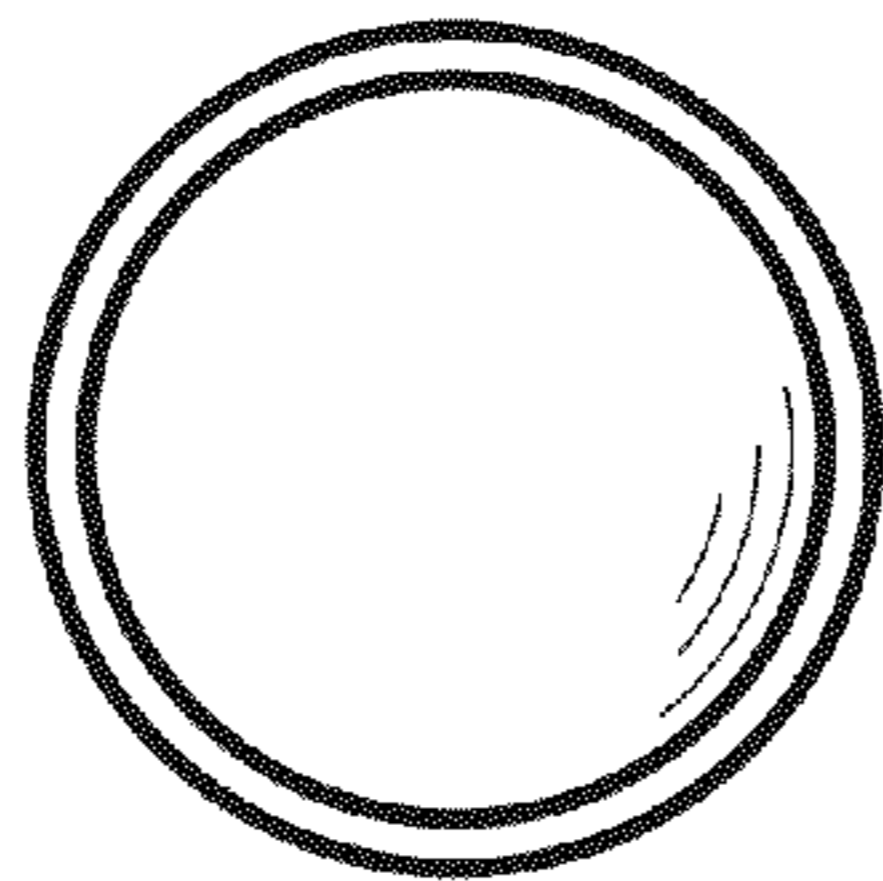


FIG 19

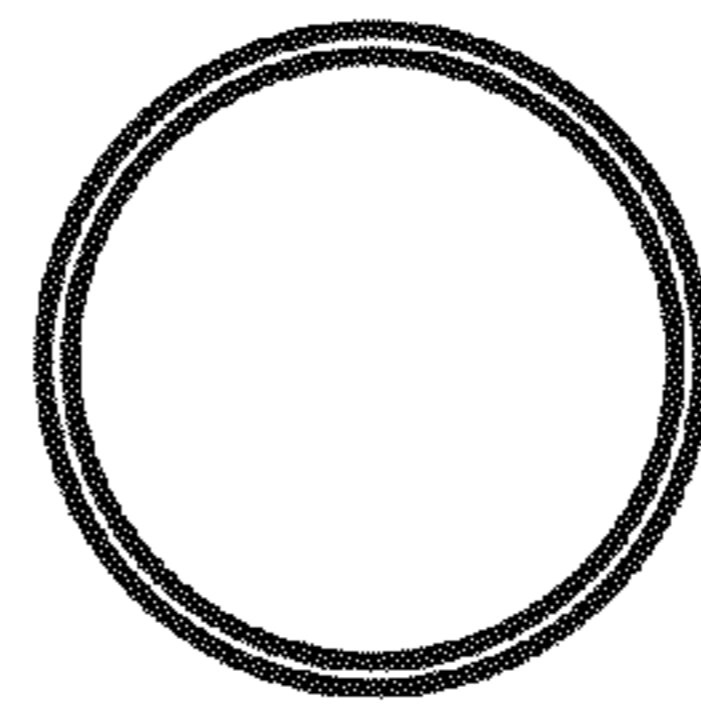


FIG 20



FIG 21

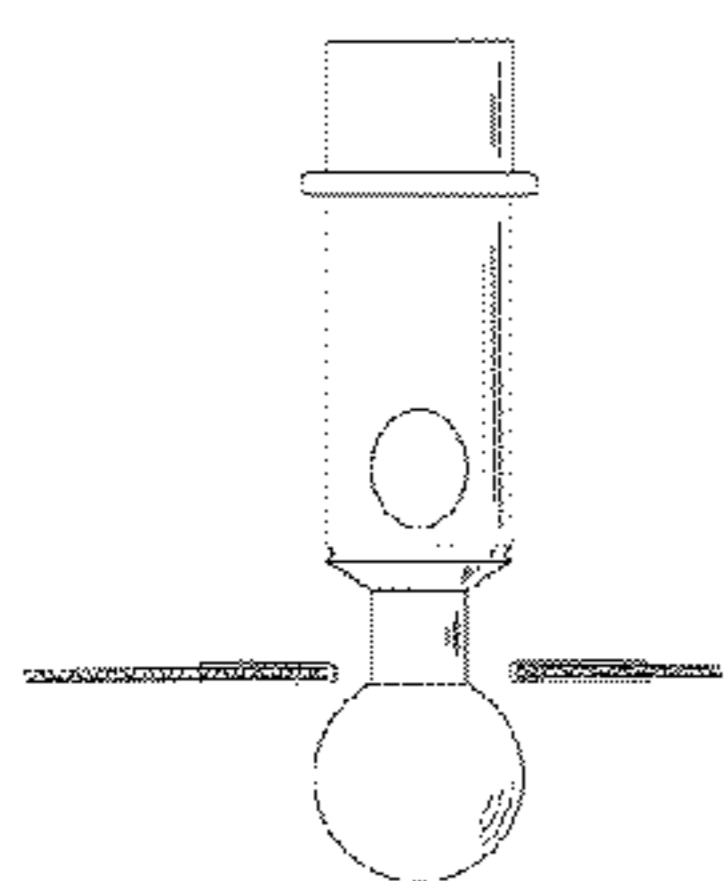


FIG 22

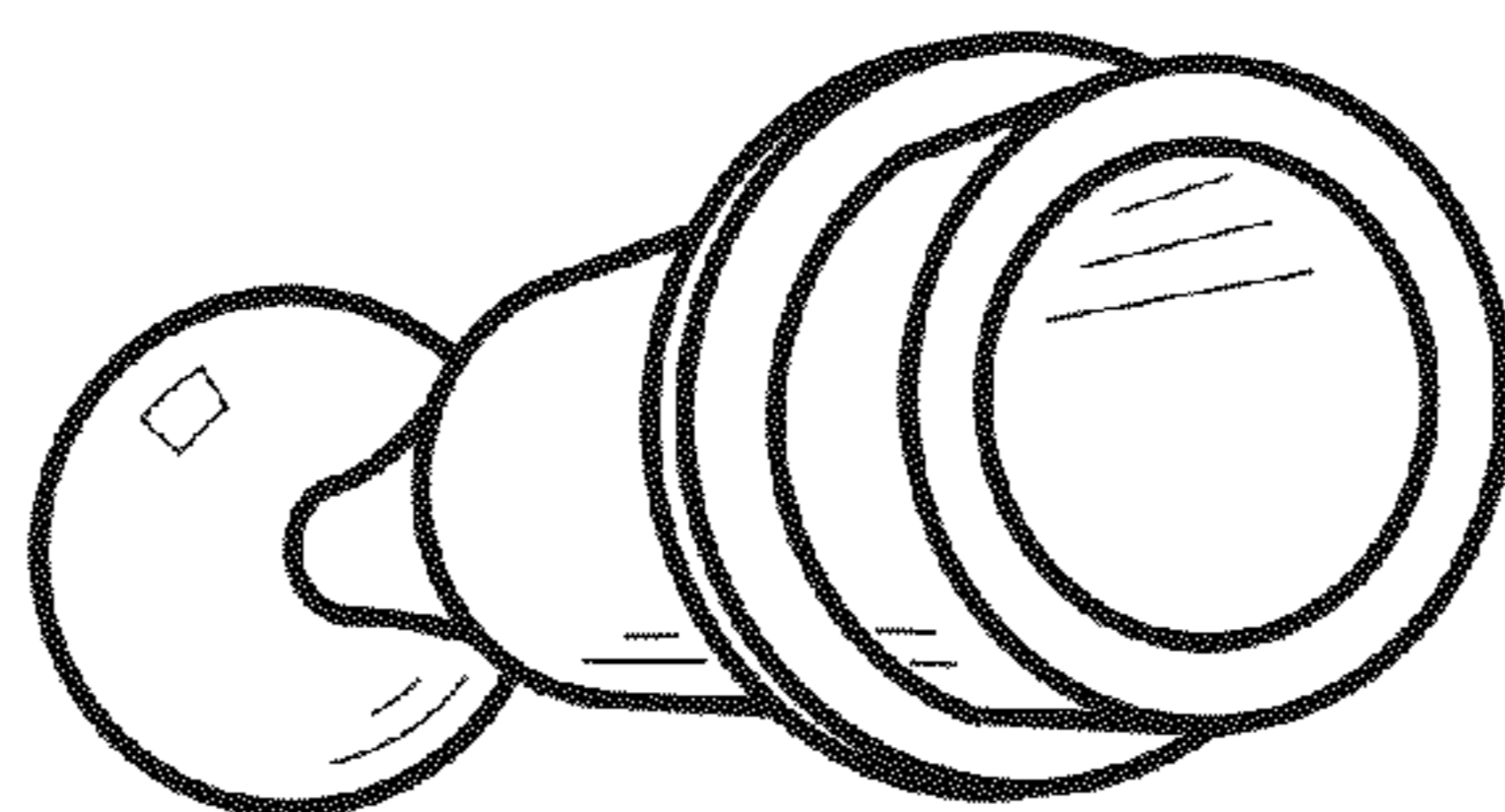


FIG 23

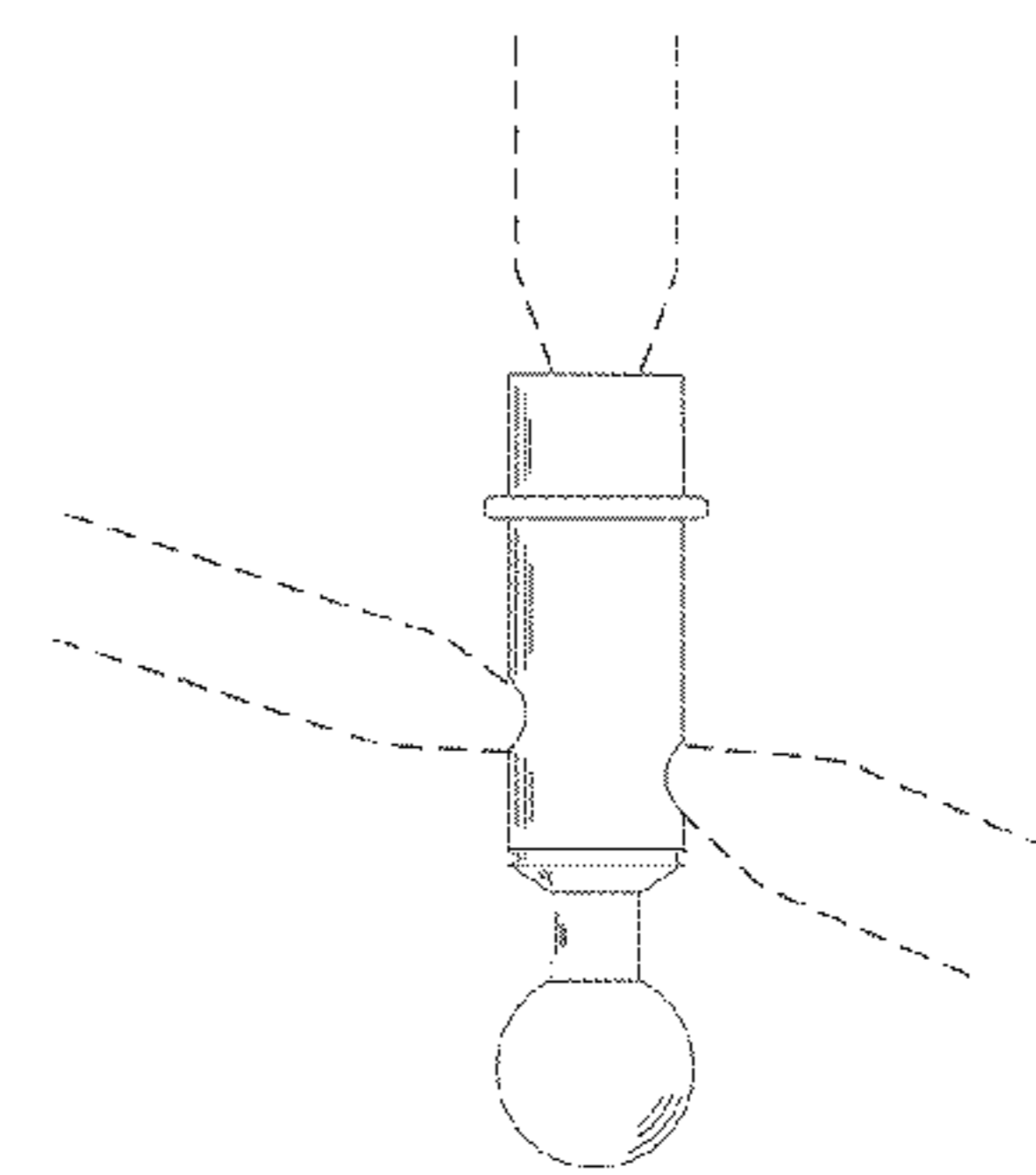


FIG 24