

US00D697164S

(12) **United States Design Patent**  
**Jan**

(10) **Patent No.:** **US D697,164 S**  
(45) **Date of Patent:** **\*\* Jan. 7, 2014**

- (54) **GROUND RODENT REPELLER**
- (71) Applicant: **Tzu-Ying Jan**, New Taipei (TW)
- (72) Inventor: **Tzu-Ying Jan**, New Taipei (TW)
- (\*\*) Term: **14 Years**
- (21) Appl. No.: **29/449,457**
- (22) Filed: **Mar. 15, 2013**
- (51) **LOC (10) Cl.** ..... **22-06**
- (52) **U.S. Cl.**  
USPC ..... **D22/120**
- (58) **Field of Classification Search**  
USPC ..... D22/119-120; 43/112-114, 120-121,  
43/124, 131, 132.1; 340/573.2; 367/139  
See application file for complete search history.

(56) **References Cited**

**U.S. PATENT DOCUMENTS**

5,379,545	A *	1/1995	Gall et al.	.....	43/131
6,157,594	A *	12/2000	Jan	.....	367/139
D583,900	S *	12/2008	Krause	.....	D22/120
D585,956	S *	2/2009	Mezger	.....	D22/120
D590,909	S *	4/2009	Fembleaux	.....	D22/120

7,598,879	B2 *	10/2009	Weiser et al.	.....	340/573.2
D639,894	S *	6/2011	Feuerstein	.....	D22/120
D645,114	S *	9/2011	Krause	.....	D22/120

\* cited by examiner

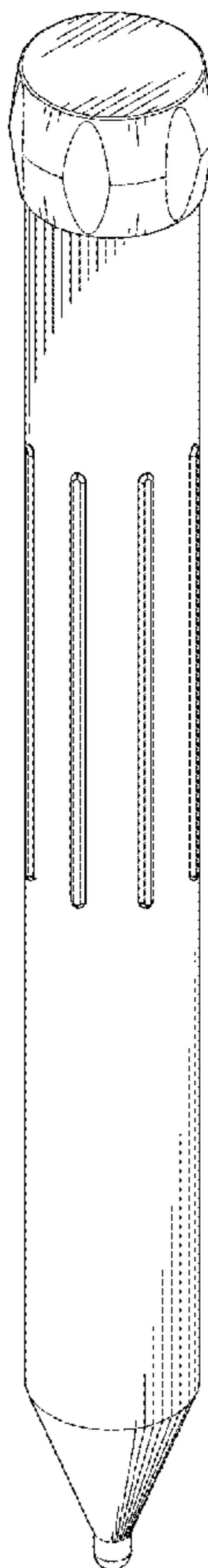
*Primary Examiner* — Catheri Oliver-Garcia  
(74) *Attorney, Agent, or Firm* — Li & Cai Intellectual Property (USA) Office

(57) **CLAIM**  
The ornamental design for a “ground rodent repeller,” as shown and described.

**DESCRIPTION**

FIG. 1 is a perspective view of a ground rodent repeller showing my new design;  
 FIG. 2 is a front view thereof;  
 FIG. 3 is a rear view thereof;  
 FIG. 4 is a left side view thereof;  
 FIG. 5 is a right side view thereof;  
 FIG. 6 is a top view thereof;  
 FIG. 7 is a bottom view thereof; and,  
 FIG. 8 is a perspective view showing the practical usage thereof.  
 The broken lines depict portions of the ground rodent repeller which form no part of the claimed design.

**1 Claim, 5 Drawing Sheets**



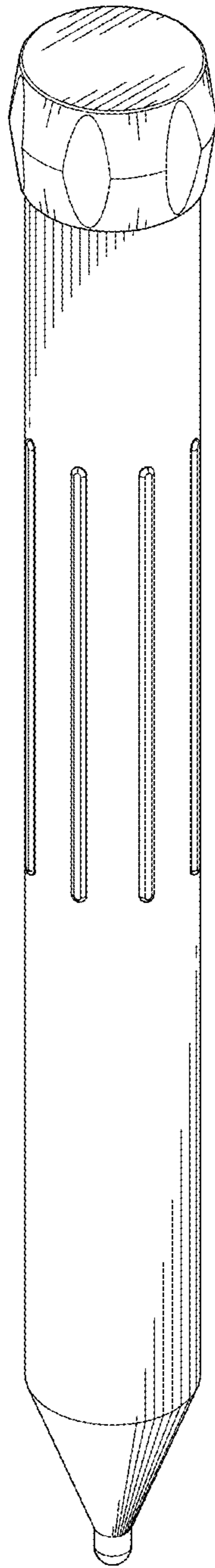


FIG.1

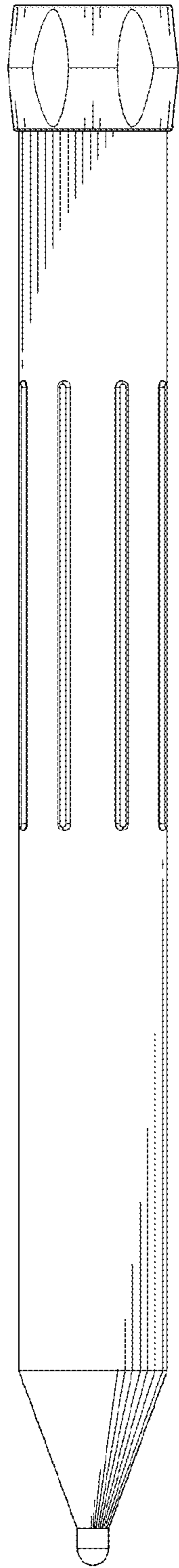


FIG. 2

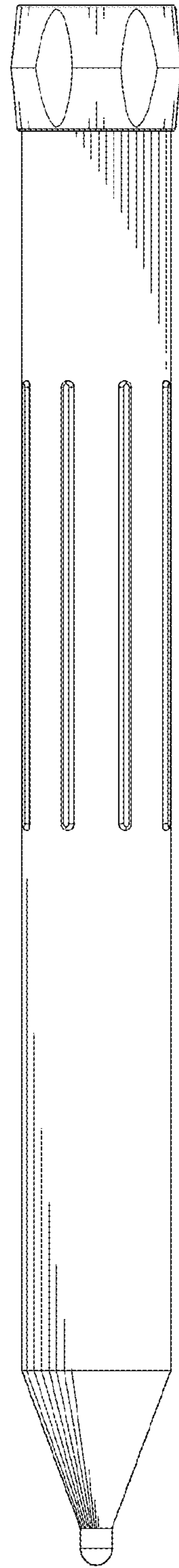


FIG. 3

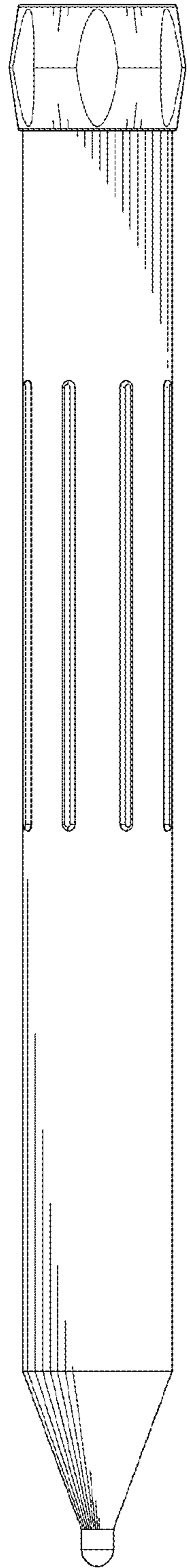


FIG. 4

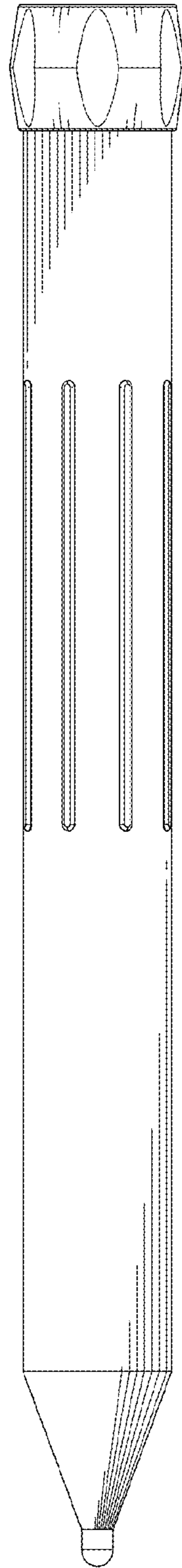


FIG. 5

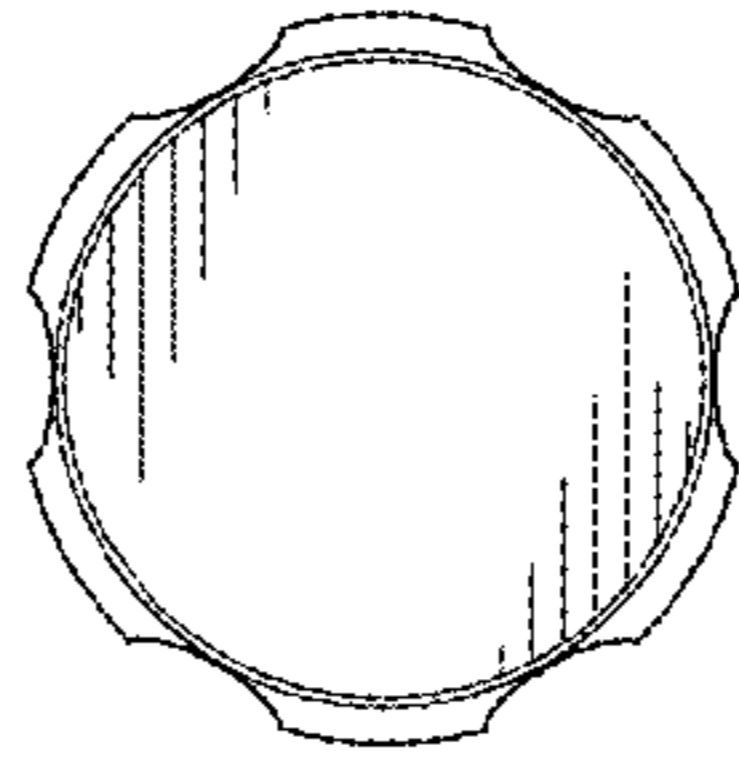


FIG.6

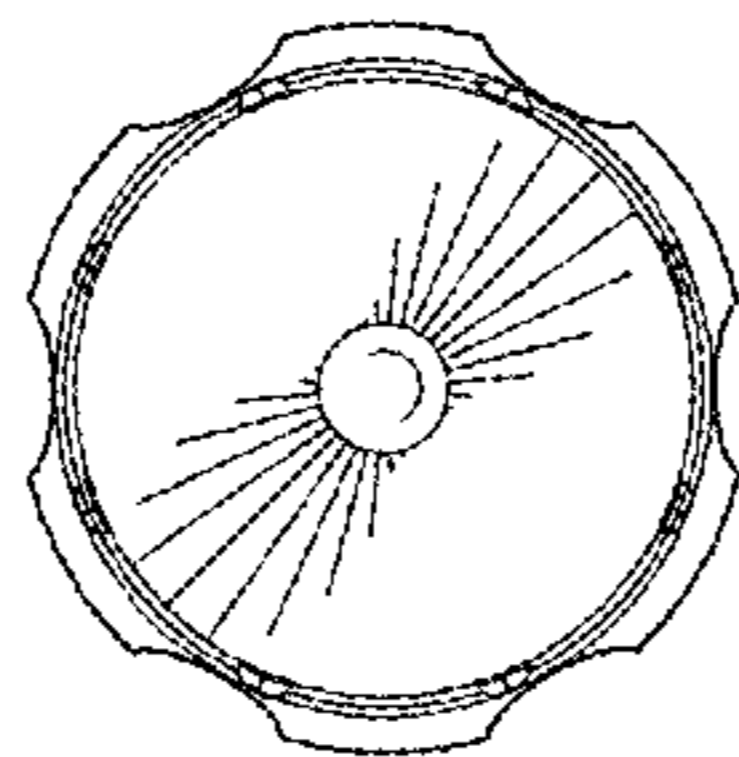


FIG.7

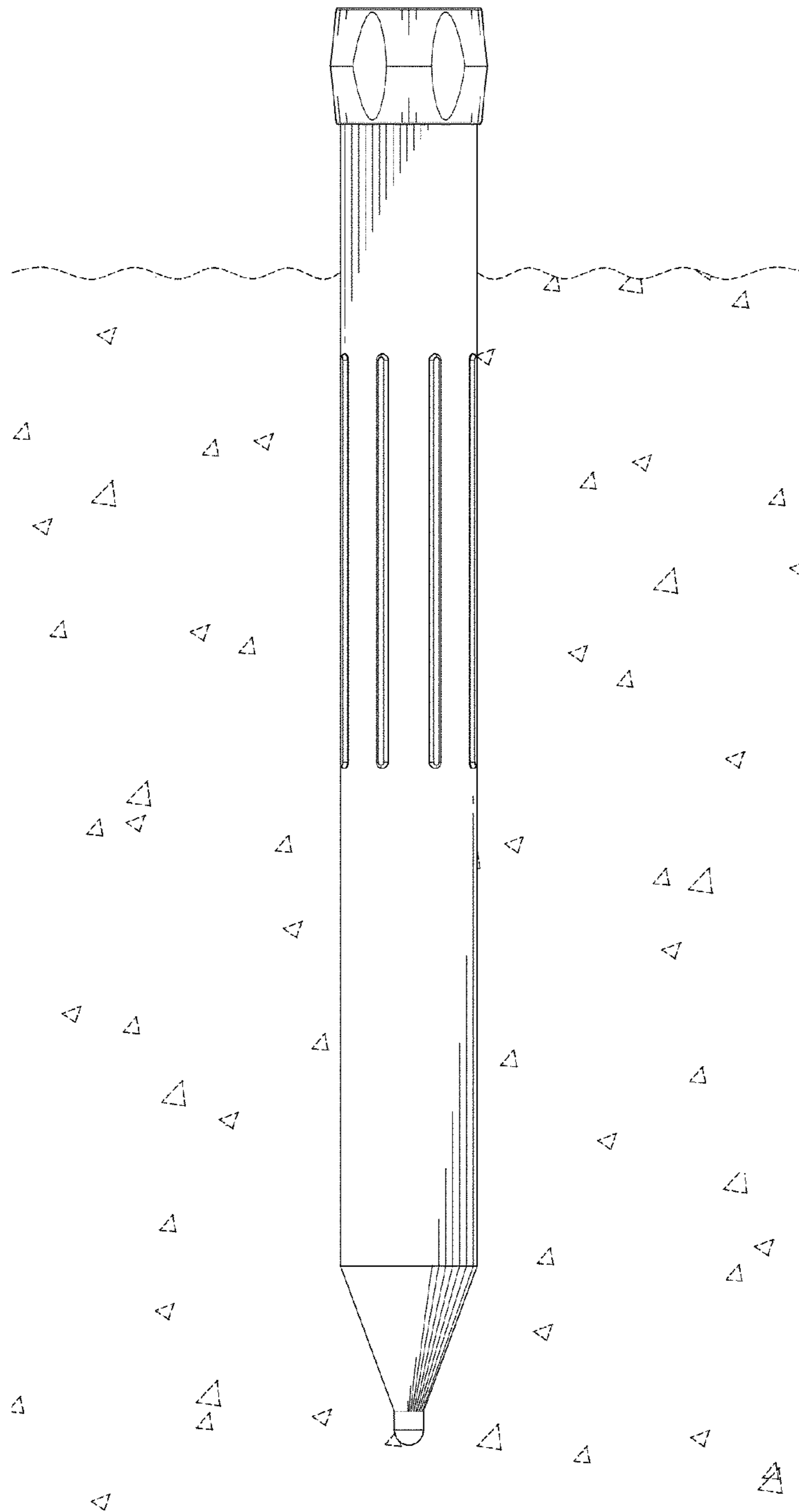


FIG.8