



US00D697162S

(12) **United States Design Patent**
Faifer

(10) **Patent No.:** **US D697,162 S**

(45) **Date of Patent:** **** Jan. 7, 2014**

(54) **GUN STOCK**

(76) Inventor: **Sagi Faifer**, Mishmar Hashiva (IL)

(**) Term: **14 Years**

(21) Appl. No.: **29/428,920**

(22) Filed: **Aug. 5, 2012**

(51) **LOC (10) Cl.** **22-01**

(52) **U.S. Cl.**
USPC **D22/108**

(58) **Field of Classification Search**

USPC D22/100, 101, 103, 104, 108; 42/51,
42/90, 71.01, 71.02, 73, 75.01, 75.02;
89/40.06, 37.04, 33.04; D21/572-573

See application file for complete search history.

(56) **References Cited**

U.S. PATENT DOCUMENTS

294,402	A	3/1884	Onderdonk
319,613	A	6/1885	Onderdonk
436,997	A	9/1890	Quackenbush
746,859	A	12/1903	Marble
922,173	A	5/1909	Lovelace
931,328	A	8/1909	Marble
961,511	A	6/1910	Marble
1,051,960	A	2/1913	Kennedy
1,086,490	A	2/1914	Weathers
1,156,293	A	10/1915	Jorgenson
1,174,840	A	3/1916	Fisher
1,485,456	A	3/1924	Von Frommer
1,734,852	A	11/1929	Frampton et al.
1,822,875	A	9/1931	Ammann
2,098,139	A	11/1937	Foley et al.
2,400,422	A	5/1946	Johnson, Jr.
2,433,151	A	12/1947	Parsons
2,766,542	A	10/1956	Harvey

(Continued)

Primary Examiner — Michael A Pratt

(74) *Attorney, Agent, or Firm* — Law Office of Arthur M. Antonelli, PLLC

(57) **CLAIM**

The ornamental design for a gun stock, as shown and described.

DESCRIPTION

FIG. 1 is a perspective view of a gun stock in accordance with my new design;

FIG. 2 is a front left bottom perspective view of the gun stock of FIG. 1;

FIG. 3 is a front view of the gun stock of FIG. 1;

FIG. 4 is a rear view of the gun stock of FIG. 1;

FIG. 5 is left side view of the gun stock of FIG. 1;

FIG. 6 is a right side view of the gun stock of FIG. 1;

FIG. 7 is a top view of the gun stock of FIG. 1;

FIG. 8 is a bottom view of the gun stock of FIG. 1;

FIG. 9 is a perspective view of another embodiment of the gun stock in accordance with my new design;

FIG. 10 is a front left bottom perspective view of the gun stock of FIG. 9;

FIG. 11 is a front view of the gun stock of FIG. 9;

FIG. 12 is a rear view of the gun stock of FIG. 9;

FIG. 13 is left side view of the gun stock of FIG. 9;

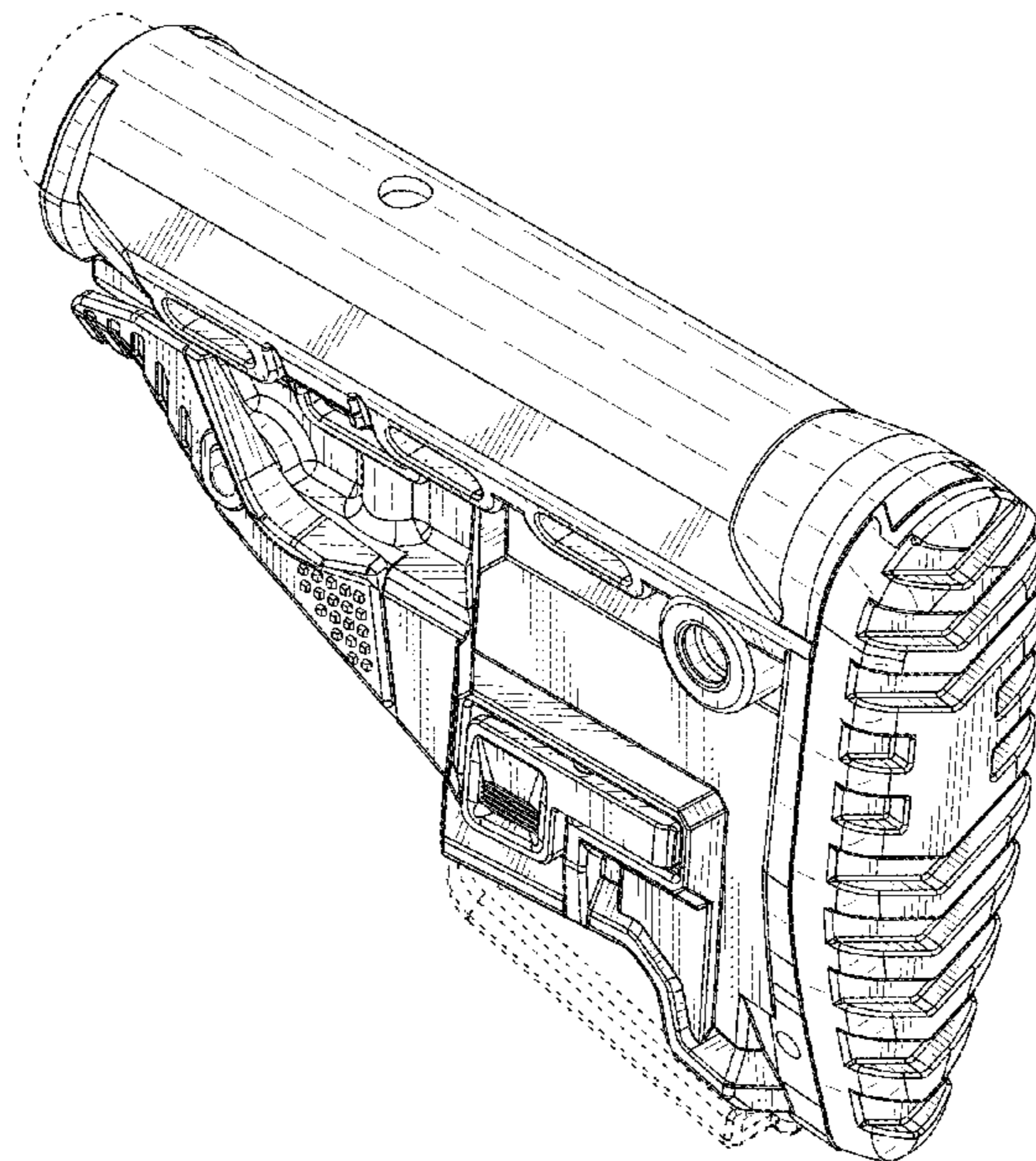
FIG. 14 is a right side view of the gun stock of FIG. 9;

FIG. 15 is a top view of the gun stock of FIG. 9; and,

FIG. 16 is a bottom view of the gun stock of FIG. 9.

All portions shown in broken lines are environmental and illustrative only and form no part of the claimed design.

1 Claim, 12 Drawing Sheets



(56)

References Cited

U.S. PATENT DOCUMENTS

3,044,204	A	7/1962	Zimmerman	D616,056	S	5/2010	Bentley	
3,348,328	A	10/1967	Roy	7,743,544	B2	6/2010	Laney et al.	
3,618,248	A	11/1971	Into et al.	D620,067	S	7/2010	Saur	
3,618,249	A	11/1971	Grandy	7,762,018	B1	7/2010	Fitzpatrick et al.	
4,141,166	A	2/1979	Schultz	7,775,150	B2	8/2010	Hochstrate et al.	
4,271,623	A	6/1981	Beretta	7,805,873	B2	10/2010	Bentley	
4,327,626	A	5/1982	McQueen	7,810,270	B2	10/2010	Fitzpatrick et al.	
4,512,101	A	4/1985	Waterman, Jr.	7,823,313	B2	11/2010	Faifer	
4,551,937	A	11/1985	Seehase	7,827,722	B1	11/2010	Davies	
4,697,367	A	10/1987	Brophy	D640,342	S *	6/2011	Fitzpatrick et al.	D22/108
4,735,007	A	4/1988	Gal	8,127,485	B2	3/2012	Moore et al.	
D324,557	S	3/1992	Livingston	D661,366	S *	6/2012	Zusman	D22/108
5,209,215	A	5/1993	Morrison	8,191,299	B2	6/2012	Faifer	
5,225,613	A	7/1993	Claridge	D668,311	S *	10/2012	Rogers et al.	D22/108
5,622,000	A	4/1997	Marlowe	8,341,868	B2 *	1/2013	Zusman	42/73
5,711,102	A	1/1998	Plaster et al.	D676,921	S *	2/2013	Fitzpatrick et al.	D22/108
D391,334	S	2/1998	Plaster et al.	D683,808	S *	6/2013	Elkaim	D22/108
5,907,918	A	6/1999	Langevin et al.	2003/0110675	A1	6/2003	Garrett et al.	
6,598,329	B1	7/2003	Alexander	2003/0196366	A1	10/2003	Beretta	
6,598,330	B2	7/2003	Garrett et al.	2003/0200693	A1	10/2003	Seifert	
6,651,371	B2	11/2003	Fitzpatrick et al.	2004/0016167	A1	1/2004	Fitzpatrick et al.	
6,779,289	B2	8/2004	Kay	2005/0108915	A1	5/2005	Kincel	
6,829,855	B2	12/2004	Seifert	2005/0262752	A1	12/2005	Robinson et al.	
6,839,998	B1	1/2005	Armstrong	2006/0096146	A1	5/2006	Fitzpatrick et al.	
6,874,267	B2	4/2005	Fitzpatrick et al.	2006/0254414	A1	11/2006	Kuczynko et al.	
6,925,743	B1	8/2005	DiGiovanna	2007/0261284	A1	11/2007	Keng	
7,104,001	B1	9/2006	Digiovanna	2008/0236016	A1	10/2008	Fitzpatrick et al.	
7,131,228	B2	11/2006	Hochstrate et al.	2008/0236017	A1	10/2008	Fitzpatrick et al.	
7,152,355	B2	12/2006	Fitzpatrick et al.	2008/0301994	A1	12/2008	Langevin et al.	
7,162,822	B1	1/2007	Heayn et al.	2009/0139128	A1	6/2009	Fluhr	
7,337,573	B1	3/2008	Digiovanna	2009/0178325	A1	7/2009	Veilleux	
7,398,616	B1	7/2008	Weir	2009/0241397	A1	10/2009	Fitzpatrick et al.	
7,418,797	B1	9/2008	Croze	2009/0255161	A1	10/2009	Fitzpatrick et al.	
7,428,794	B2	9/2008	Oz	2010/0115817	A1	5/2010	Faifer	
D584,373	S	1/2009	Young	2010/0180485	A1	7/2010	Cabahug et al.	
D589,578	S	3/2009	Choma	2010/0192444	A1	8/2010	Cabahug et al.	
D600,308	S	9/2009	Fitzpatrick et al.	2010/0192446	A1	8/2010	Darian	
7,587,852	B1	9/2009	Harms	2010/0192447	A1	8/2010	Cabahug et al.	
D603,013	S	10/2009	Fitzpatrick et al.	2010/0205846	A1 *	8/2010	Fitzpatrick et al.	42/73
D604,794	S	11/2009	Bentley	2010/0229444	A1 *	9/2010	Faifer	42/1.06
7,610,711	B2	11/2009	Oz	2010/0251591	A1	10/2010	Burt et al.	
7,627,975	B1	12/2009	Hines	2010/0275489	A1	11/2010	Cabahug et al.	
7,640,688	B2	1/2010	Oz	2010/0300277	A1	12/2010	Hochstrate et al.	
7,647,719	B2	1/2010	Fitzpatrick et al.	2011/0192067	A1 *	8/2011	Troy	42/73
7,654,187	B2	2/2010	Hochstrate et al.	2012/0174455	A1 *	7/2012	Edelman et al.	42/71.01
				2012/0174456	A1 *	7/2012	DePierro et al.	42/71.01
				2012/0174457	A1 *	7/2012	Edelman	42/72

* cited by examiner

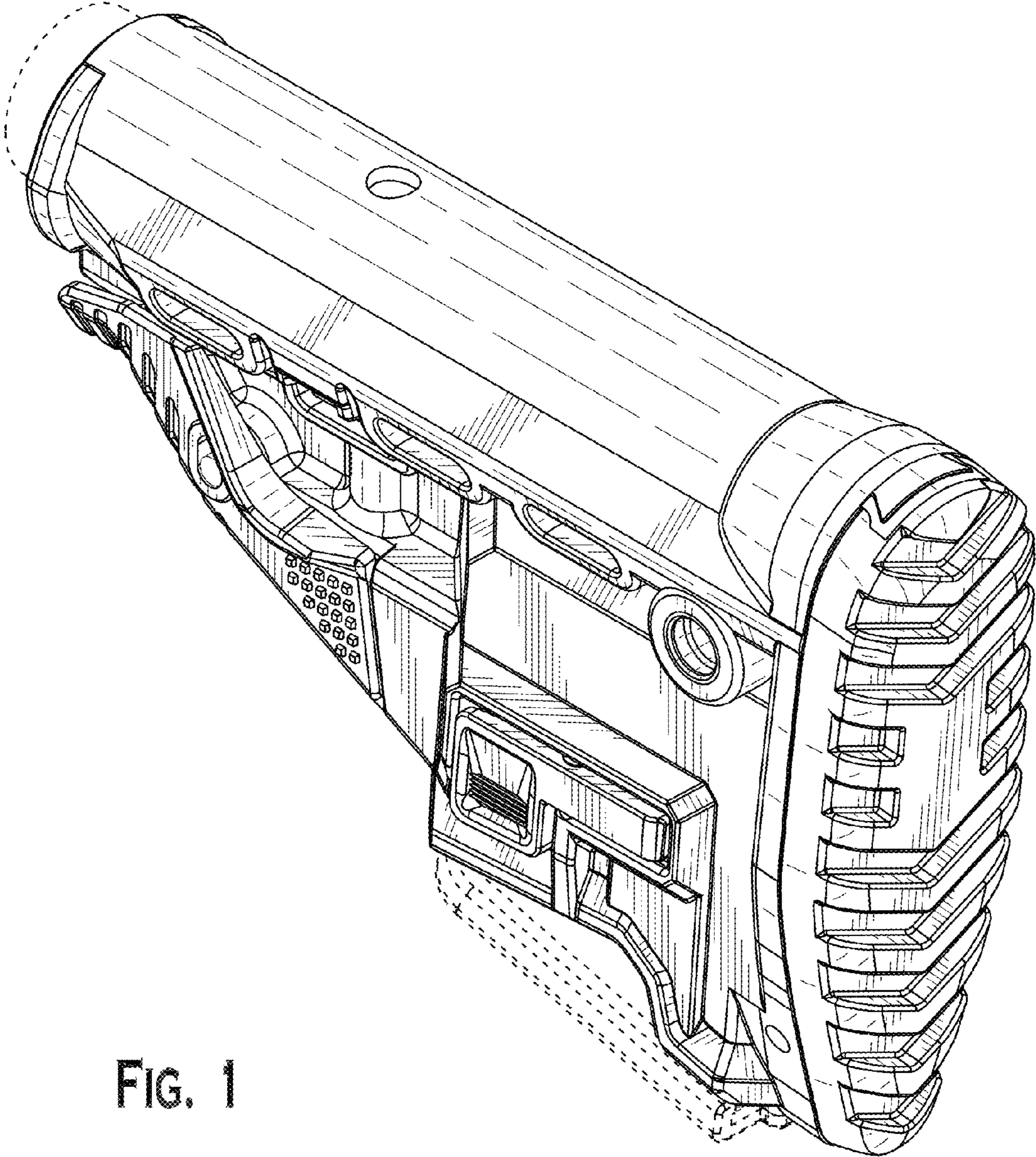


FIG. 1

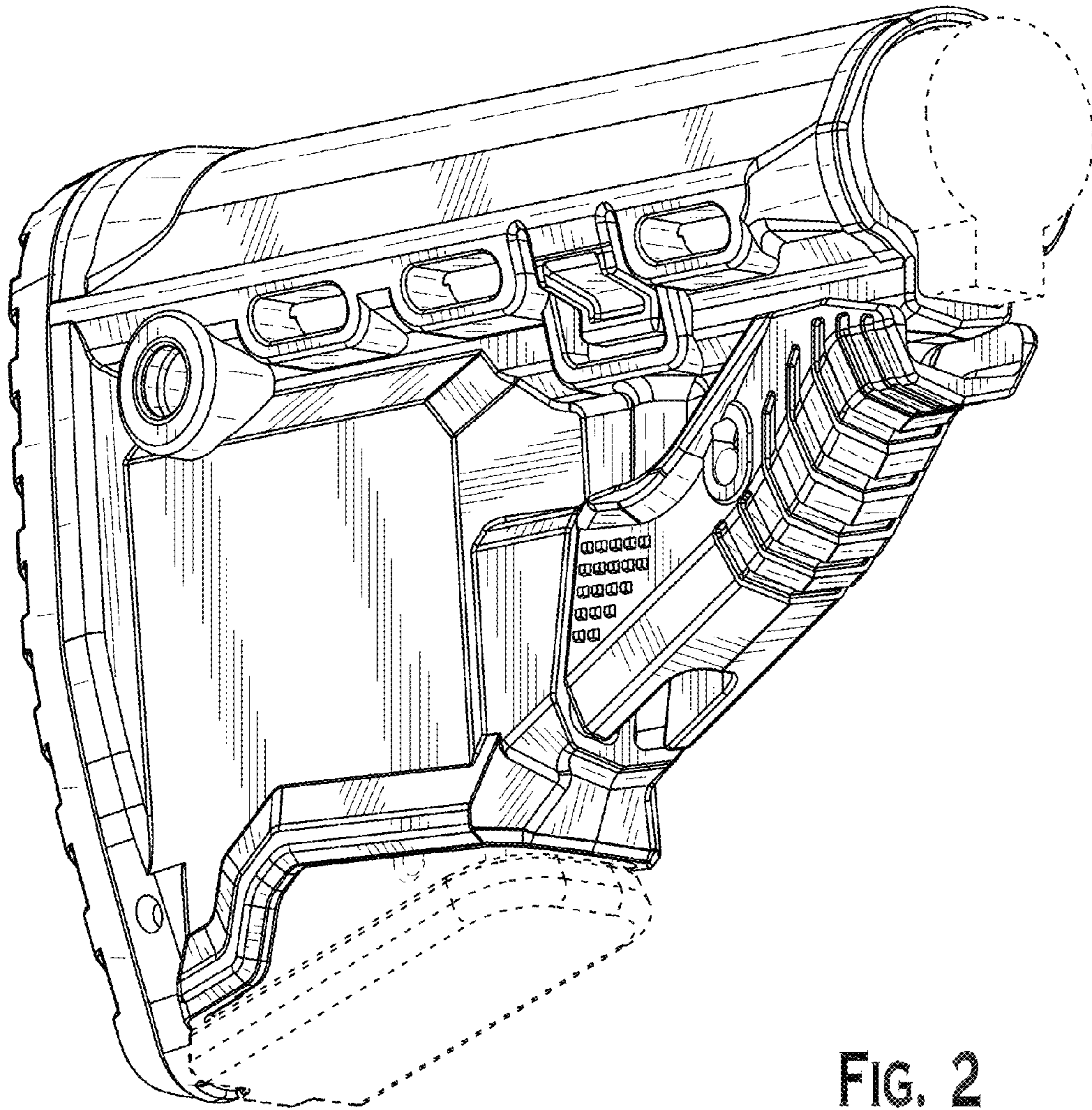


FIG. 2

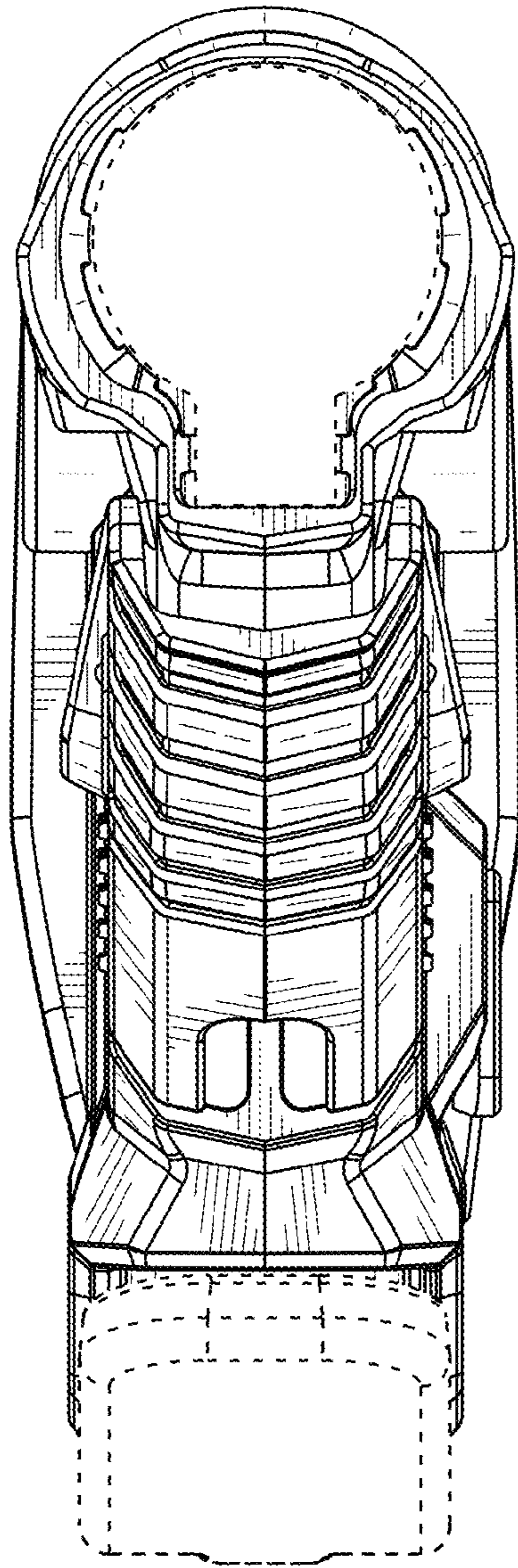


FIG. 3

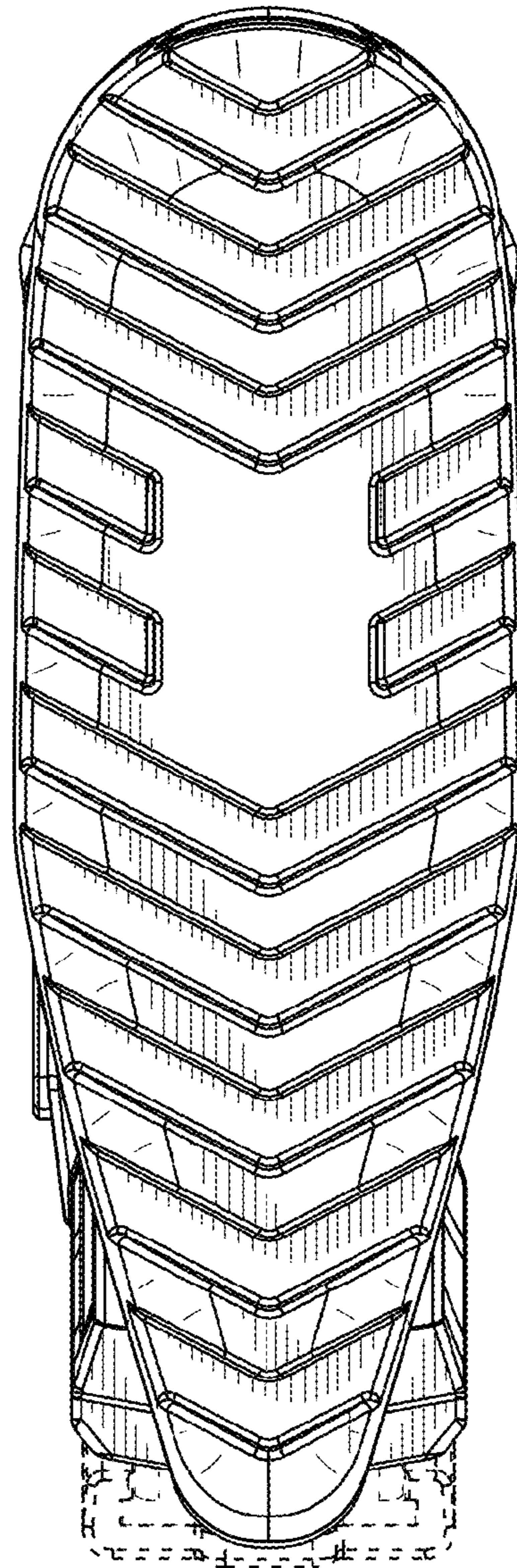


FIG. 4

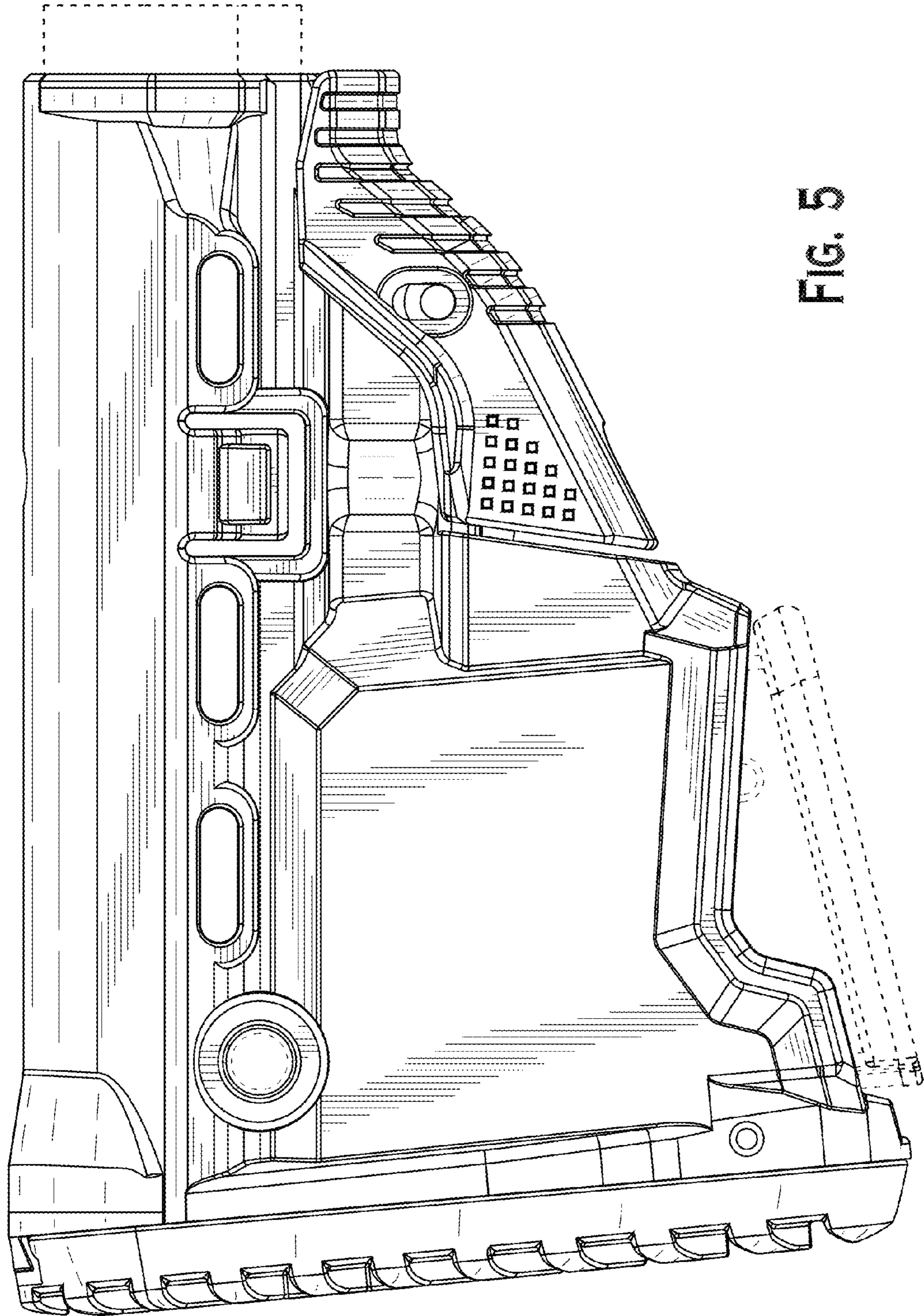


FIG. 5

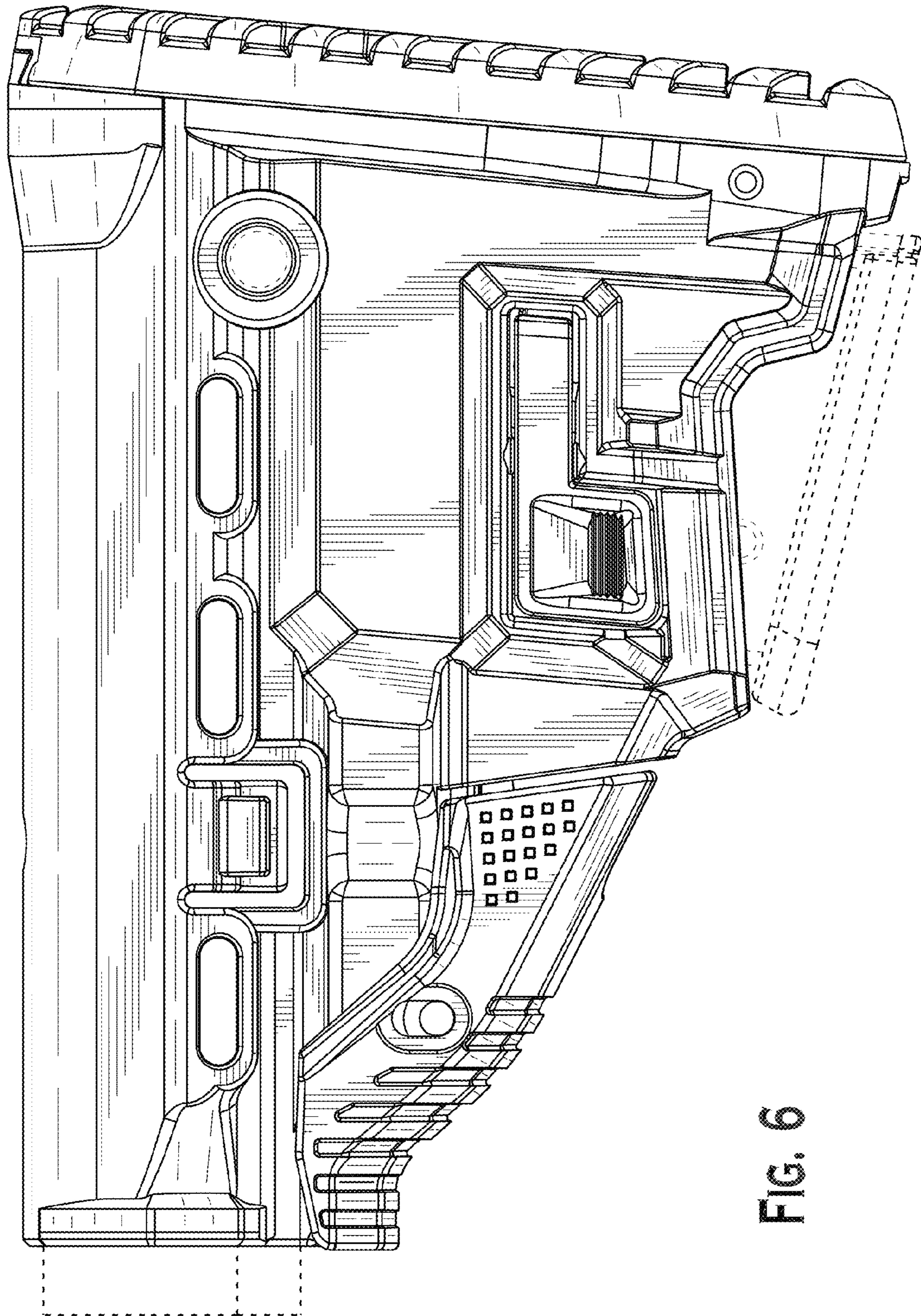


FIG. 6

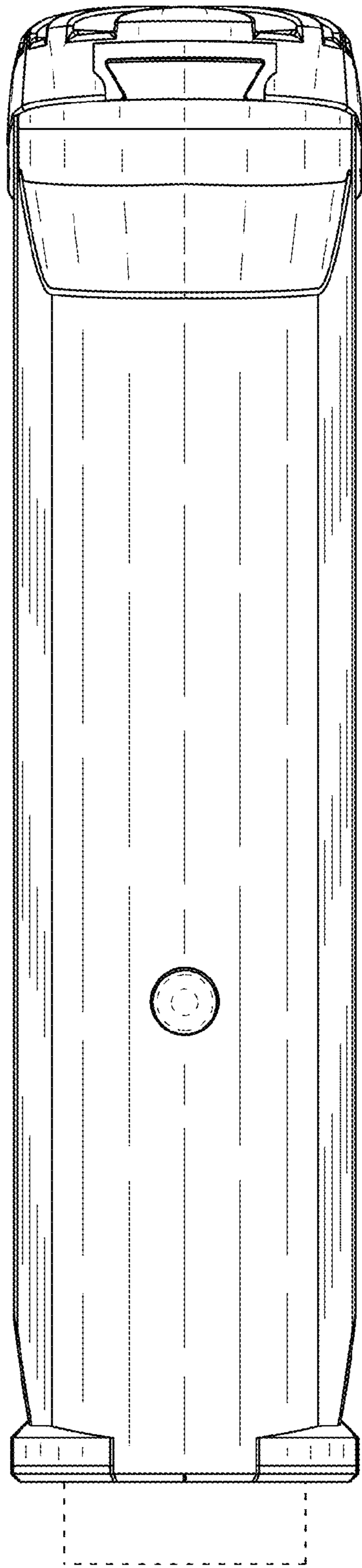


FIG. 7

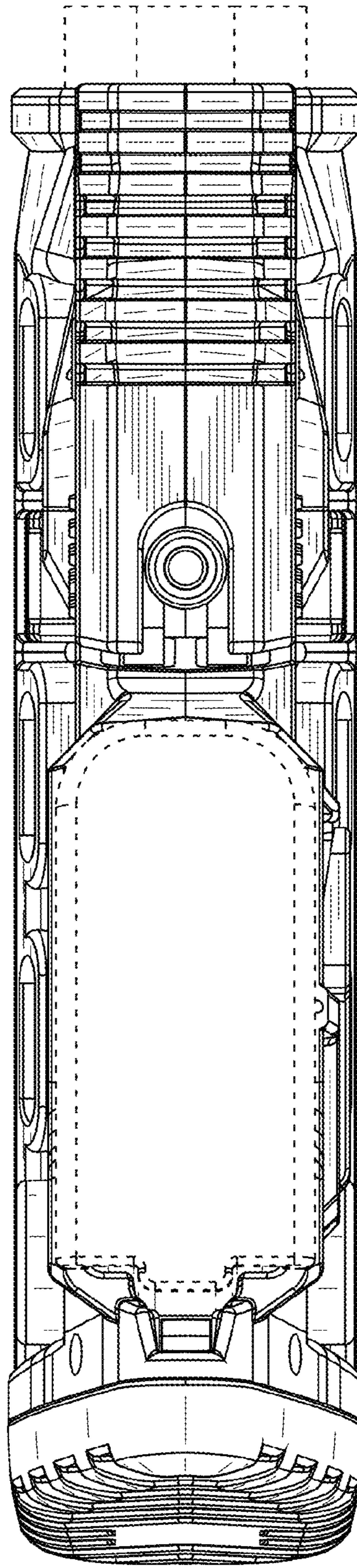


FIG. 8

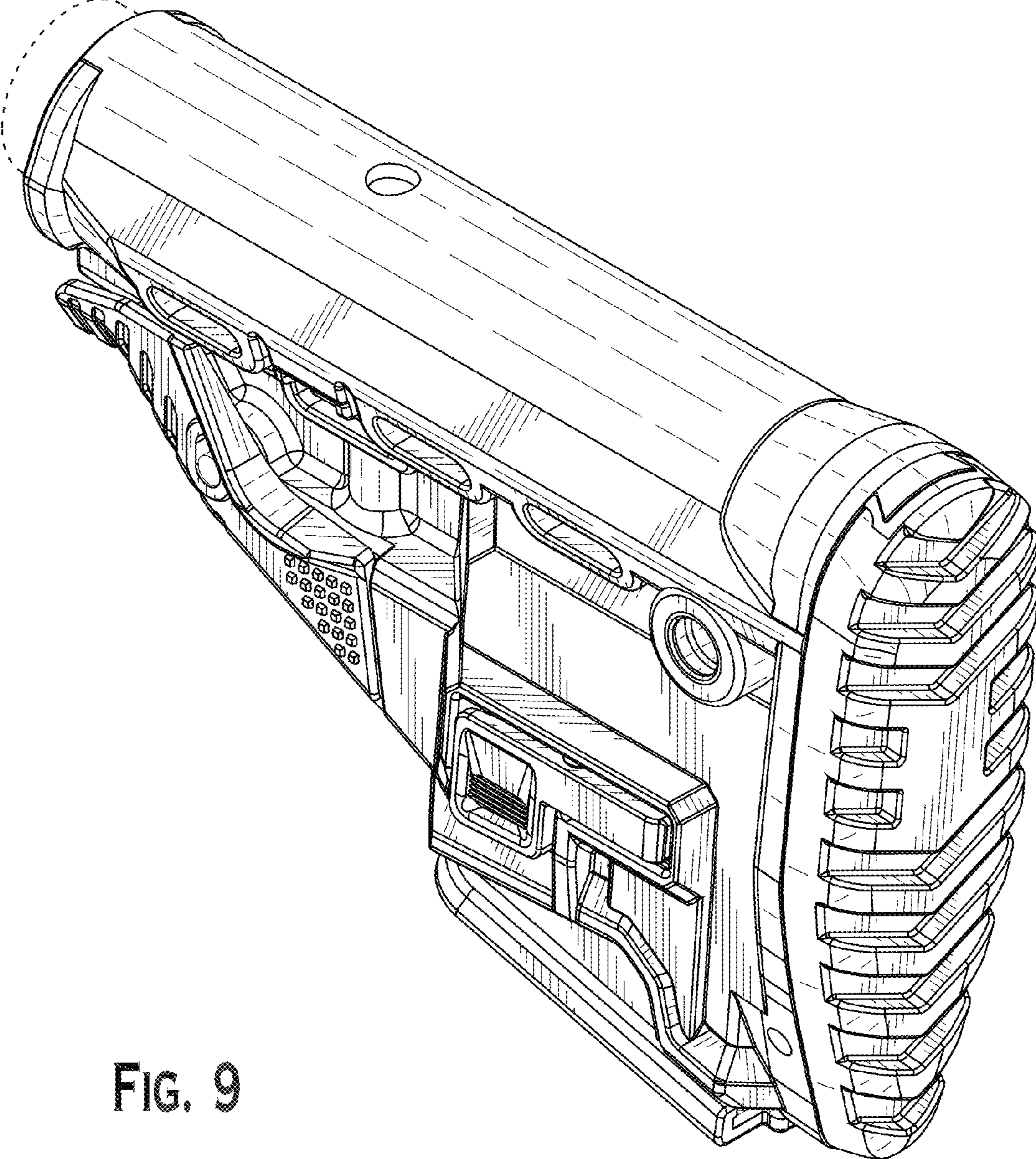


FIG. 9

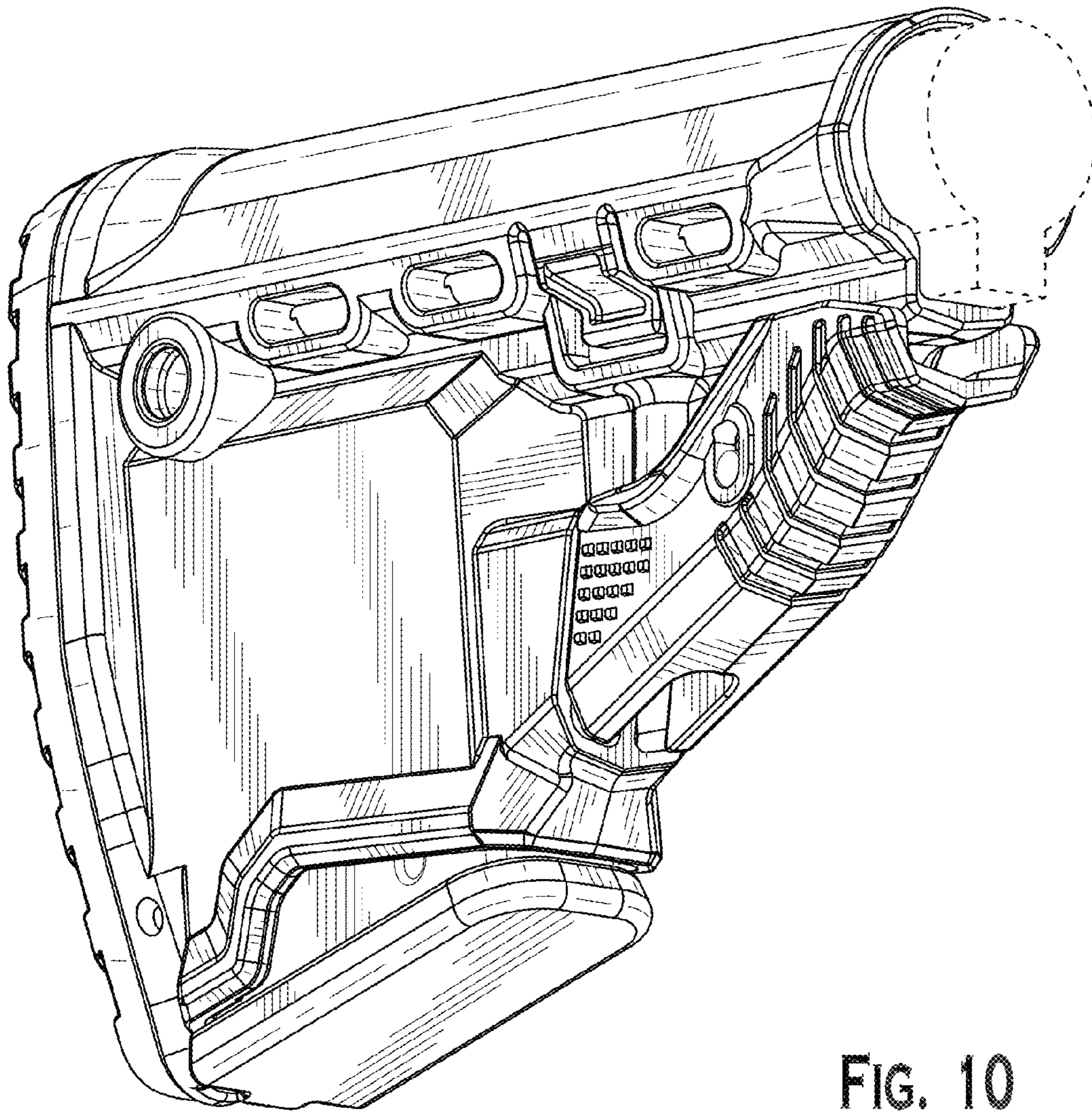


FIG. 10

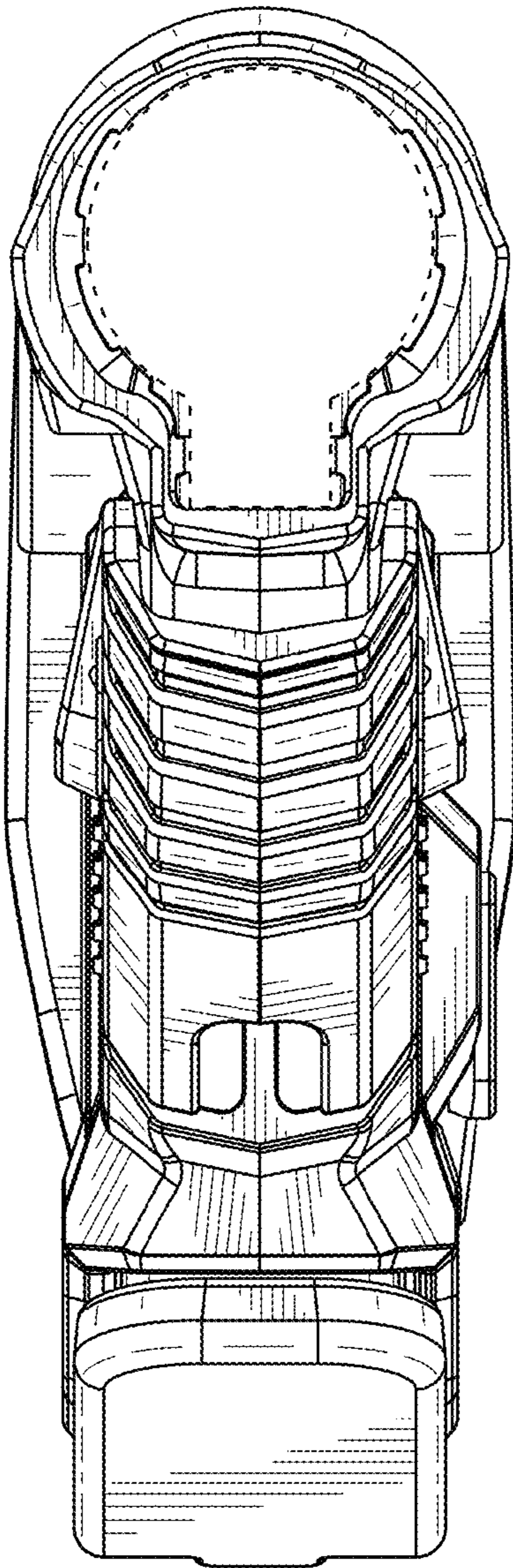


FIG. 11

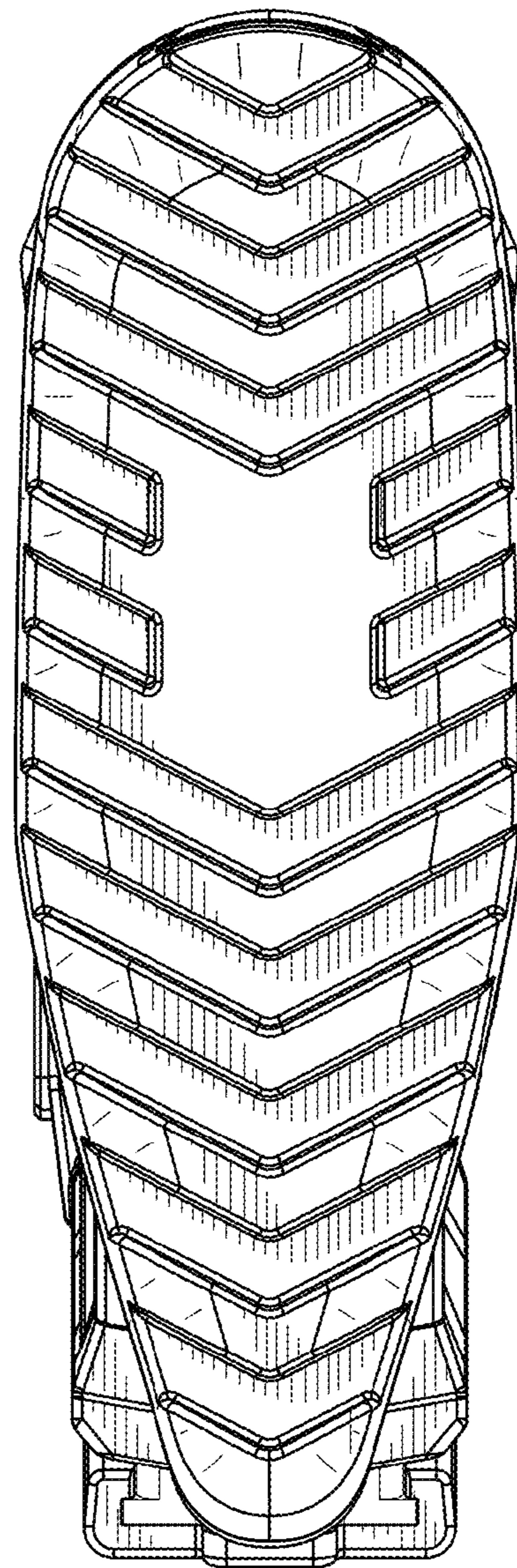


FIG. 12

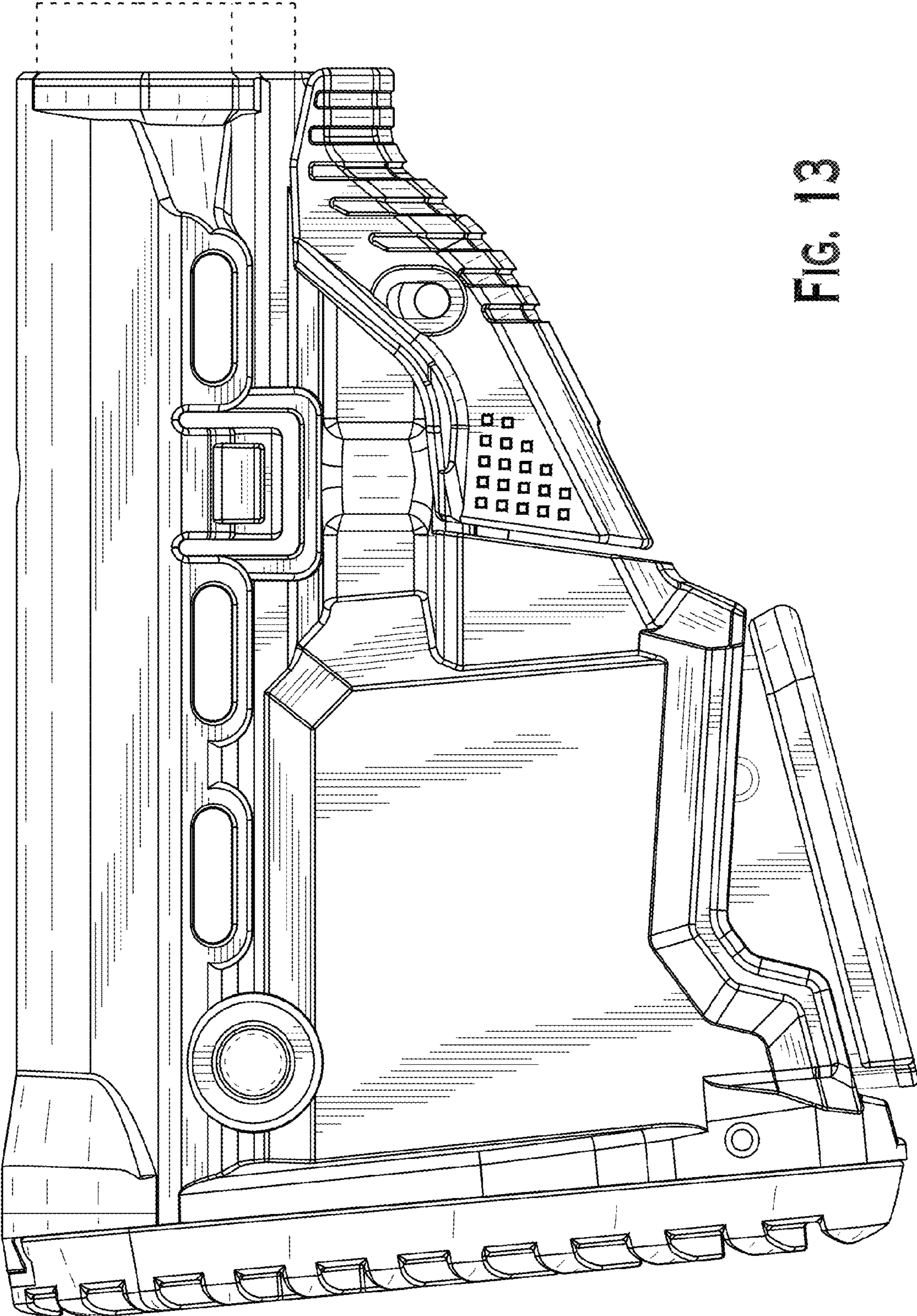


FIG. 13

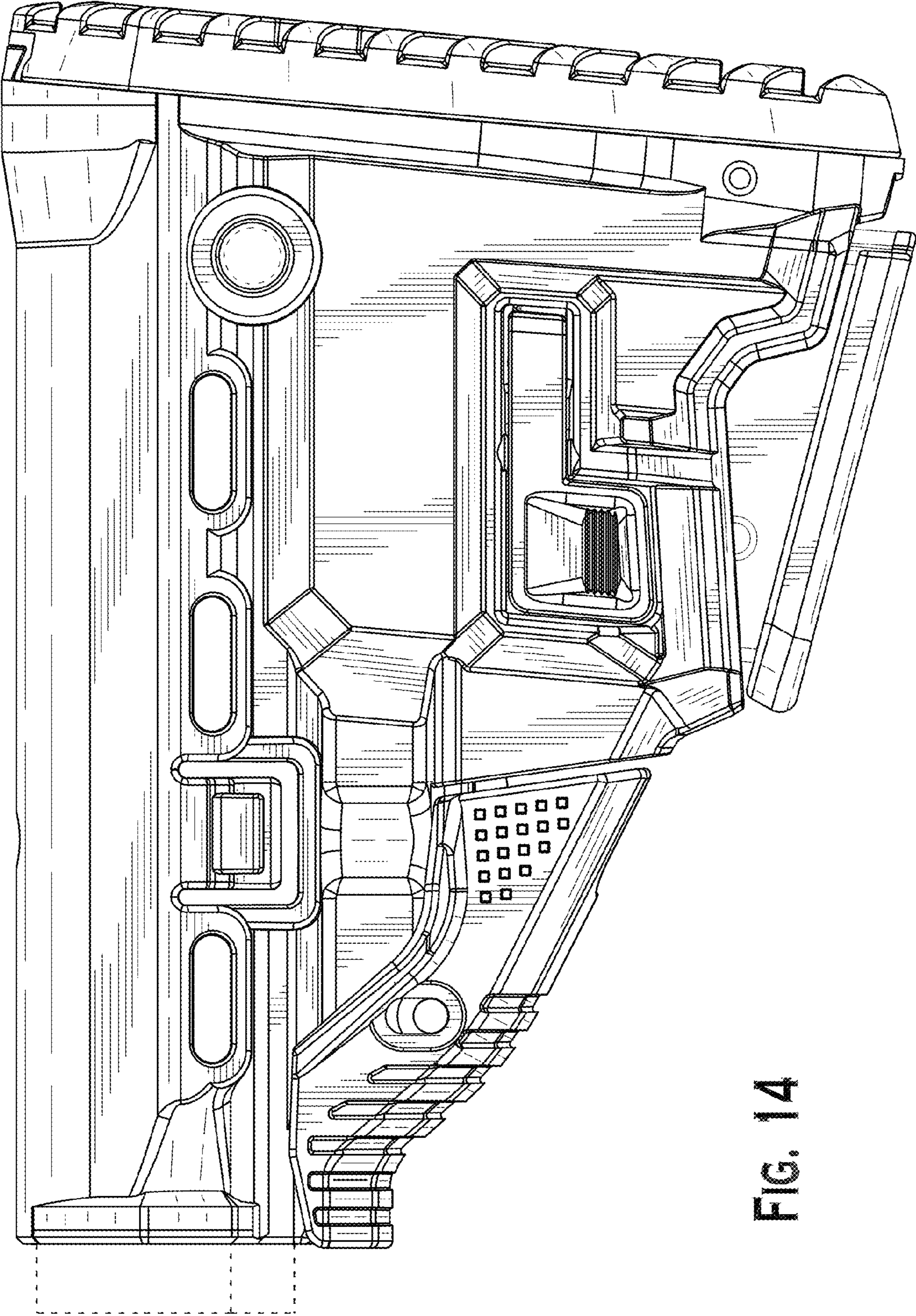


FIG. 14

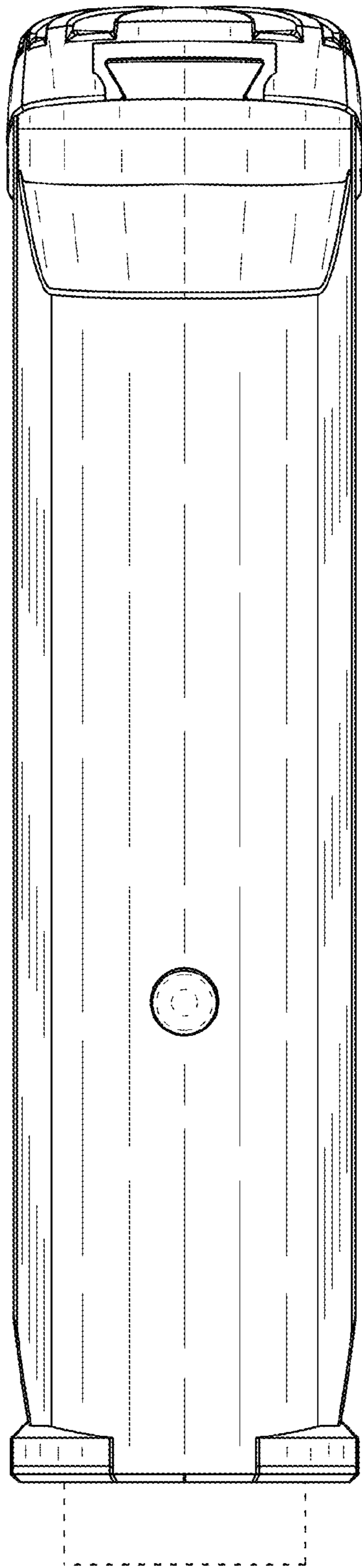


FIG. 15

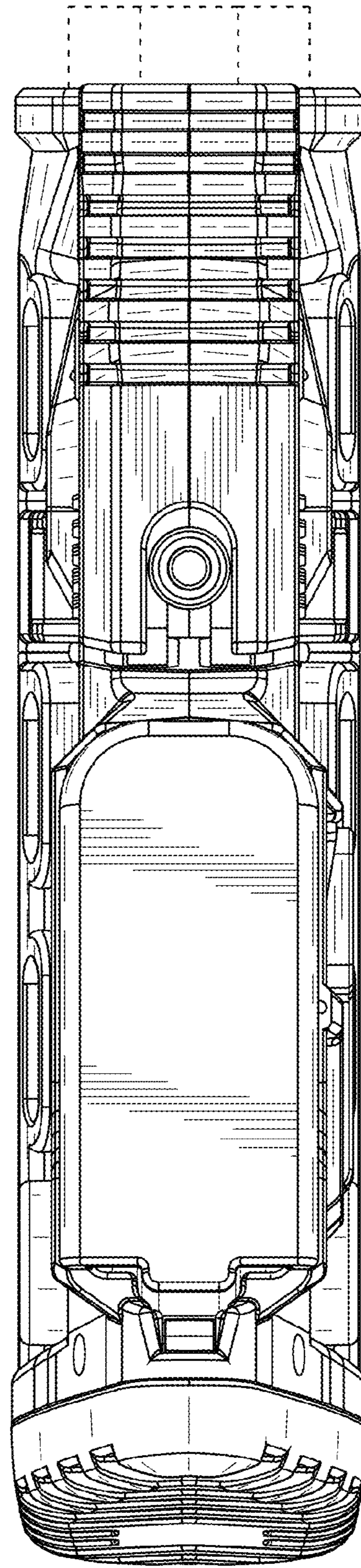


FIG. 16