

US00D697160S

(12) **United States Design Patent**
Satzinger

(10) **Patent No.:** **US D697,160 S**
(45) **Date of Patent:** **** Jan. 7, 2014**

(54) **UNIVERSAL SLING MOUNT FOR PICATINNY RAIL**

2011/0017788 A1* 1/2011 Haley et al. 224/150

* cited by examiner

(76) Inventor: **Frank Satzinger**, Polling (DE)

Primary Examiner — Michael A Pratt

(**) Term: **14 Years**

(74) *Attorney, Agent, or Firm* — Factor Intellectual Property Law Group, Ltd.

(21) Appl. No.: **29/420,687**

(22) Filed: **May 11, 2012**

(57) **CLAIM**

The ornamental design for universal sling mount for Picatinny rail, as shown and described.

(30) **Foreign Application Priority Data**

Mar. 8, 2012 (EM) 002005249

(51) **LOC (10) CL.** **22-01**

(52) **U.S. CL.**
USPC **D22/108**

(58) **Field of Classification Search**
USPC D22/108; D8/356; 42/85, 94;
D29/101.1, 101.2; 224/150;
D3/214–215, 221, 262, 327–328
See application file for complete search history.

DESCRIPTION

This application is related to U.S. patent application Ser. Nos. 29/420,689, entitled Barrel Mounted Picatinny Rail; 29/420,696 entitled Barrel Mounted Picatinny Rail 29/420,697, entitled Barrel Mounted Picatinny Rail—all of which were simultaneously filed with the present application on May 11, 2012.

FIG. 1 is a top view of the universal sling mount for Picatinny rail showing a new ornamental design thereof;

FIG. 2 is a bottom view of the universal sling mount for Picatinny rail shown in FIG. 1;

FIG. 3 is a front elevation view of the universal sling mount for Picatinny rail shown in FIG. 1;

FIG. 4 is a left side elevation view of the universal sling mount for Picatinny rail shown in FIG. 1;

FIG. 5 is a rear elevation view of the universal sling mount for Picatinny rail shown in FIG. 1;

FIG. 6 is a right side elevation view of the universal sling mount for Picatinny rail shown in FIG. 1; and,

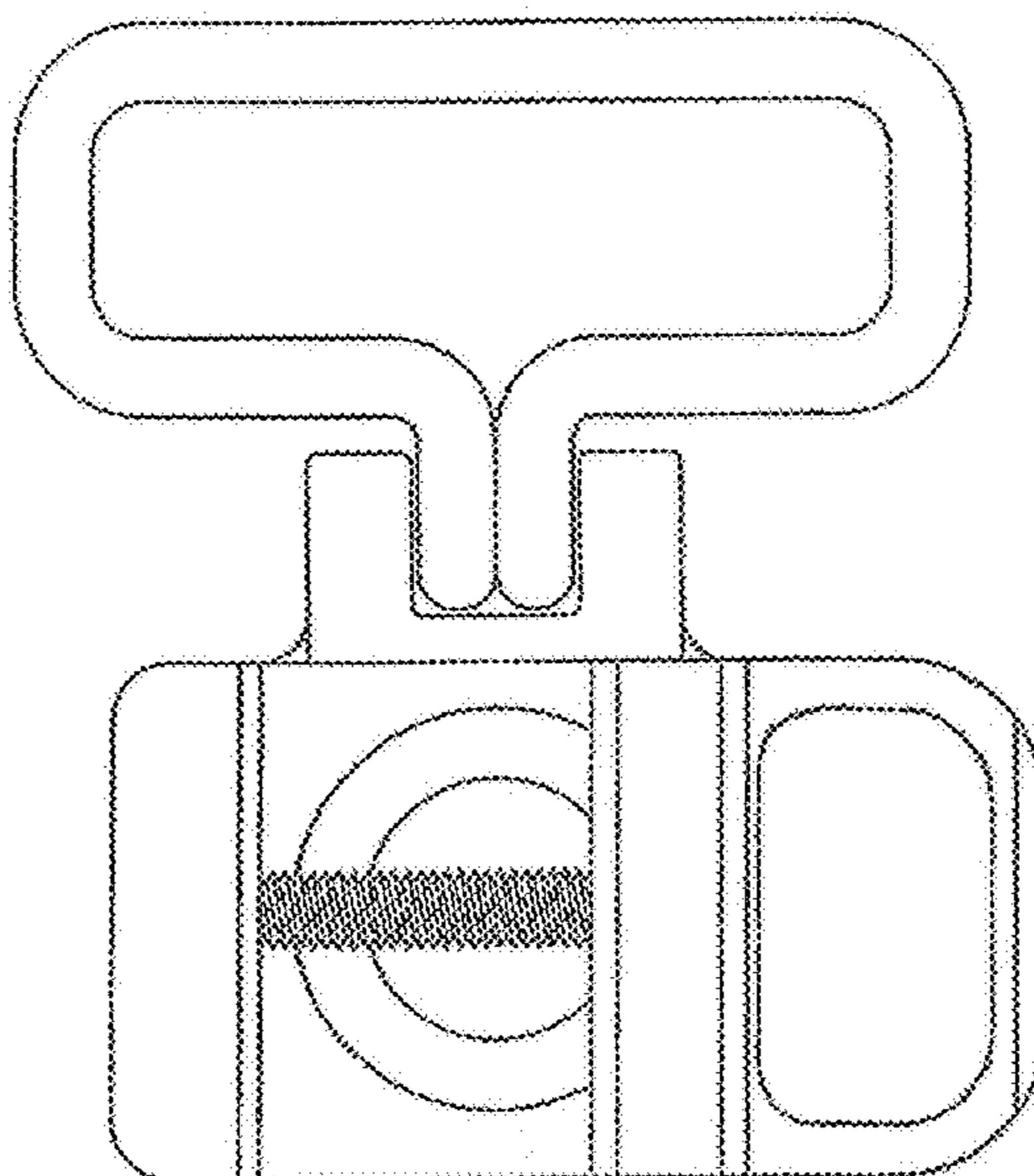
FIG. 7 is a front perspective view of the universal sling mount for Picatinny rail shown in FIG. 1.

(56) **References Cited**

U.S. PATENT DOCUMENTS

D317,810 S *	6/1991	Rightnour	D22/108
D455,191 S *	4/2002	Norris, Sr.	D22/108
6,598,330 B2 *	7/2003	Garrett et al.	42/85
D508,726 S *	8/2005	Storch	D22/108
7,654,027 B1 *	2/2010	Grover	42/85
7,752,797 B1 *	7/2010	Swan	42/85
D636,836 S *	4/2011	Fitzpatrick et al.	D22/108
D639,890 S *	6/2011	Troy, Jr.	D22/108
D664,233 S *	7/2012	Heidkamp et al.	D22/108
D669,150 S *	10/2012	Mayberry et al.	D22/108
2006/0037226 A1 *	2/2006	Garrett et al.	42/85
2010/0162609 A1 *	7/2010	Rogers et al.	42/85
2010/0287808 A1 *	11/2010	King	42/85

1 Claim, 7 Drawing Sheets



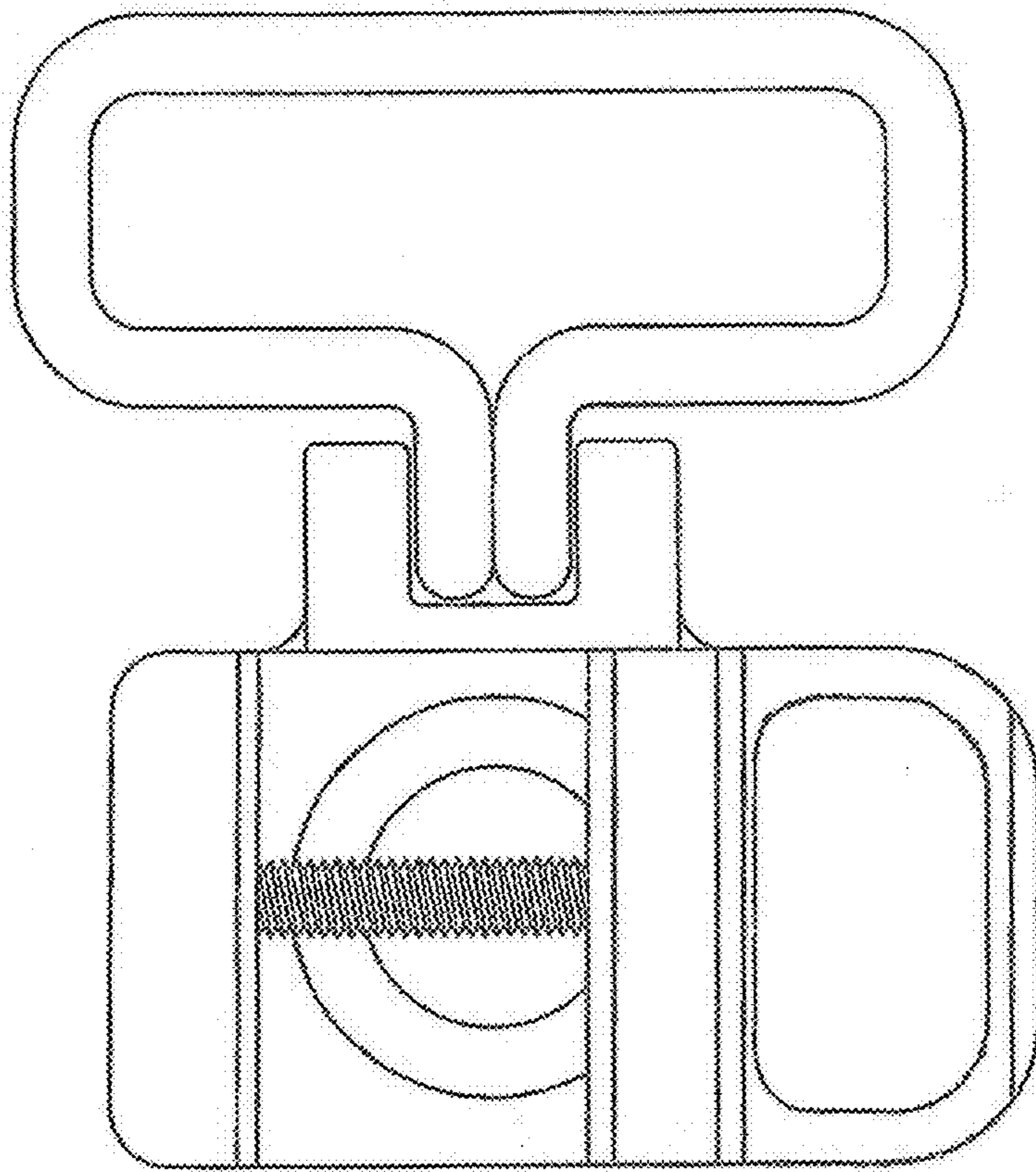


Fig. 1

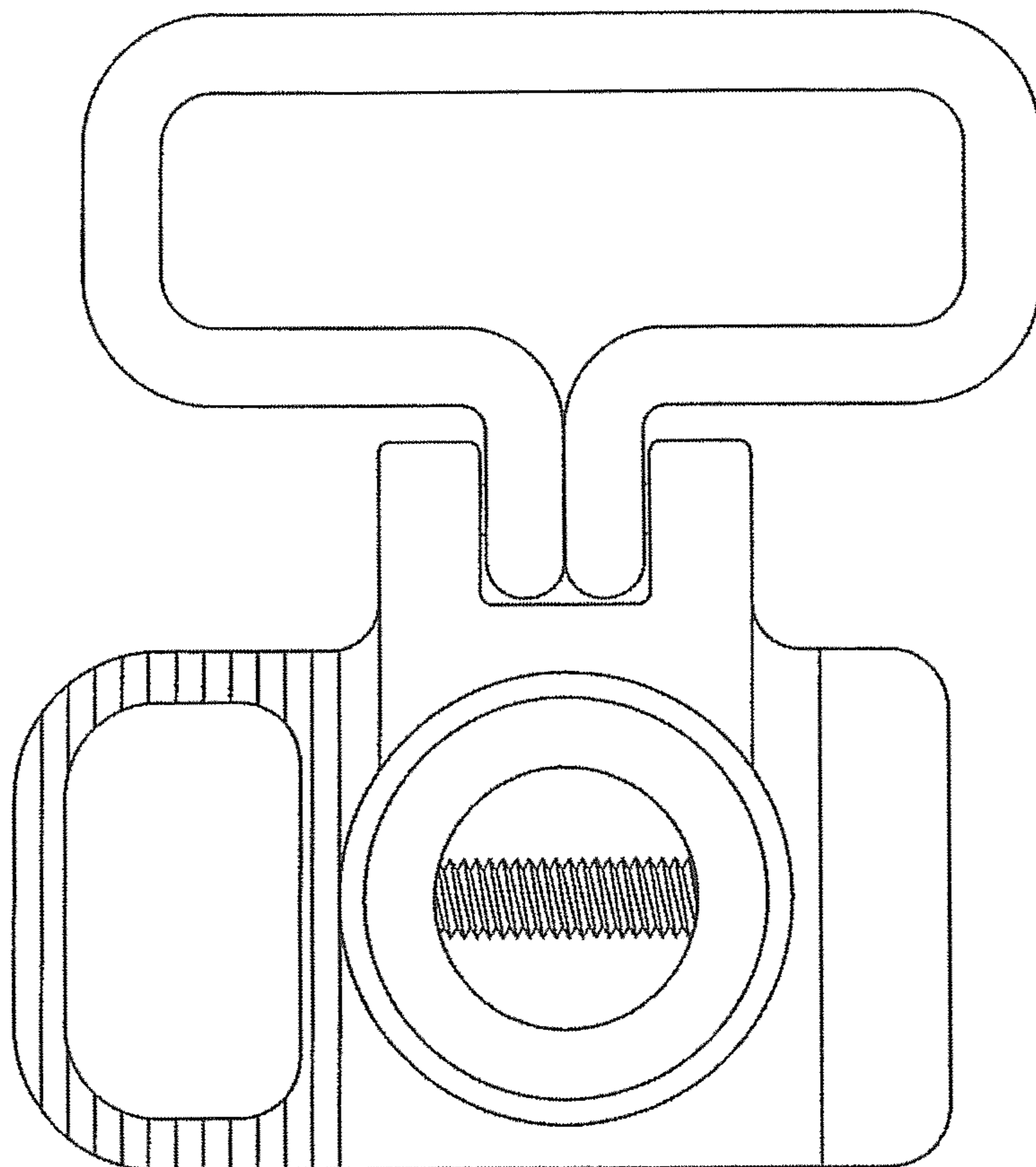


Fig. 2

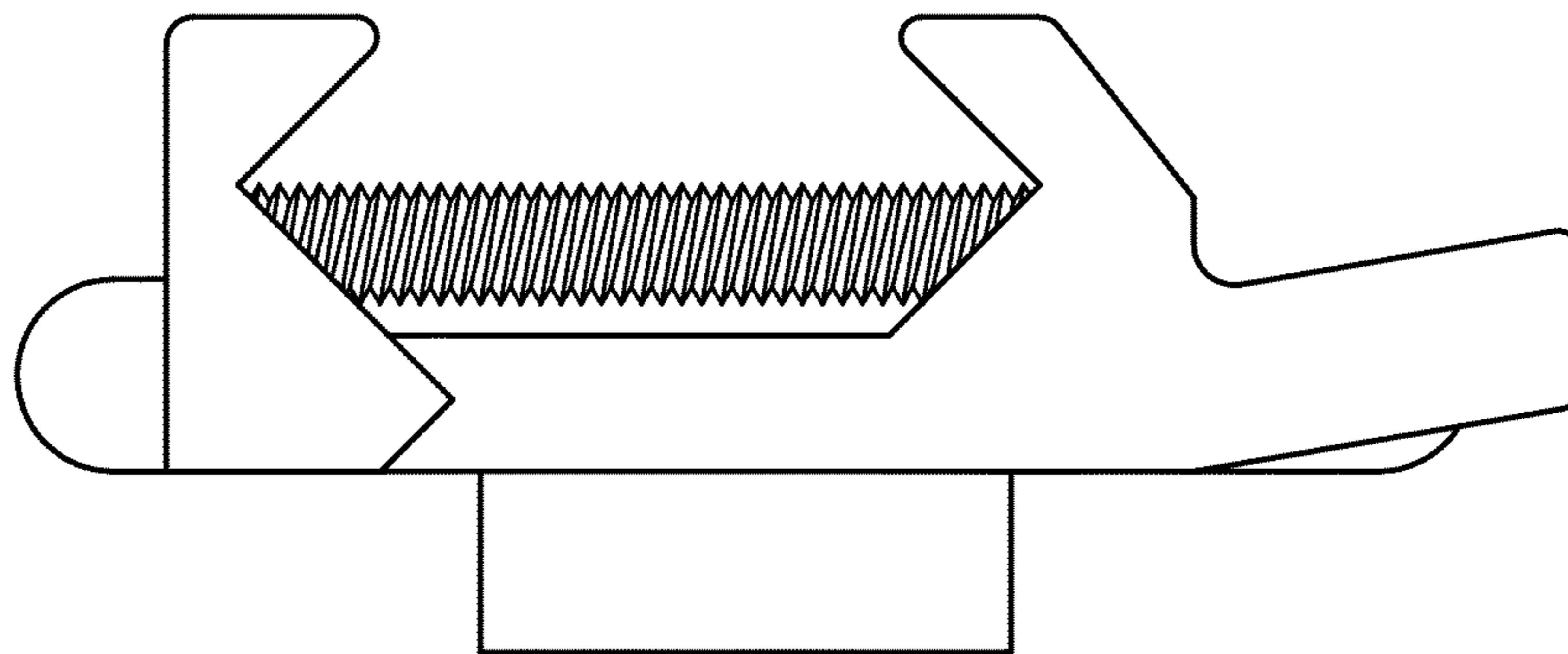


Fig. 3

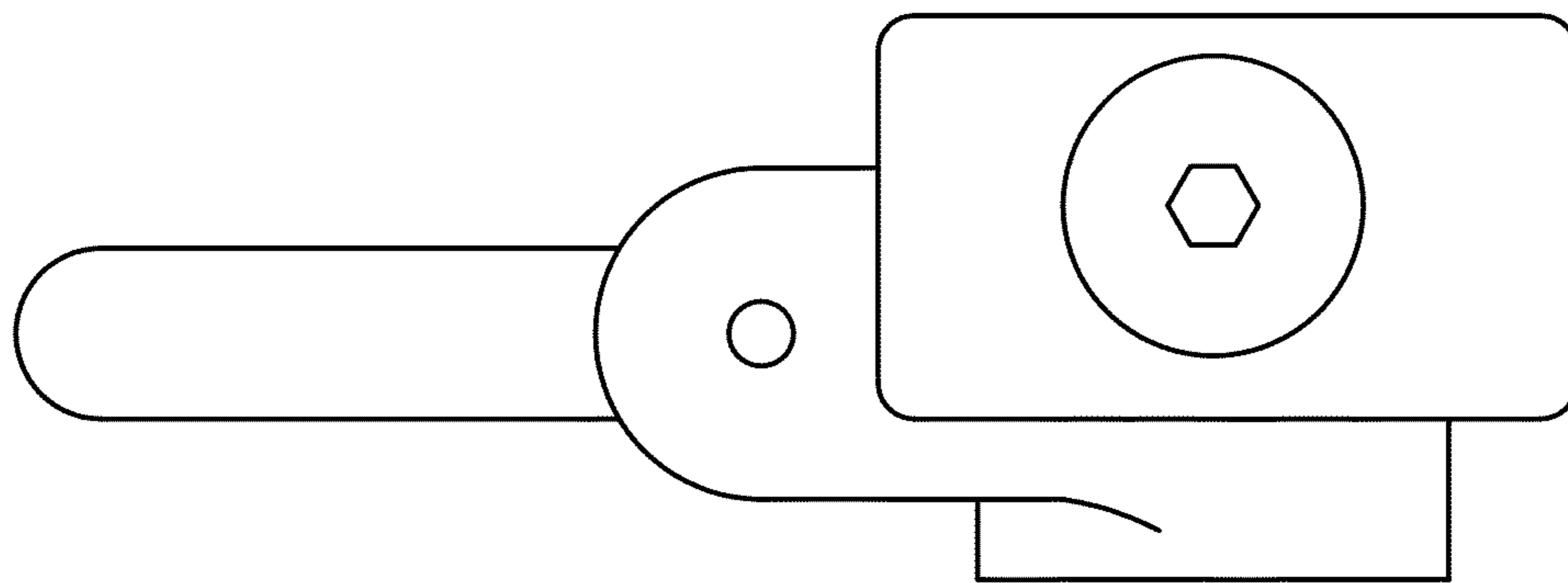


Fig. 4

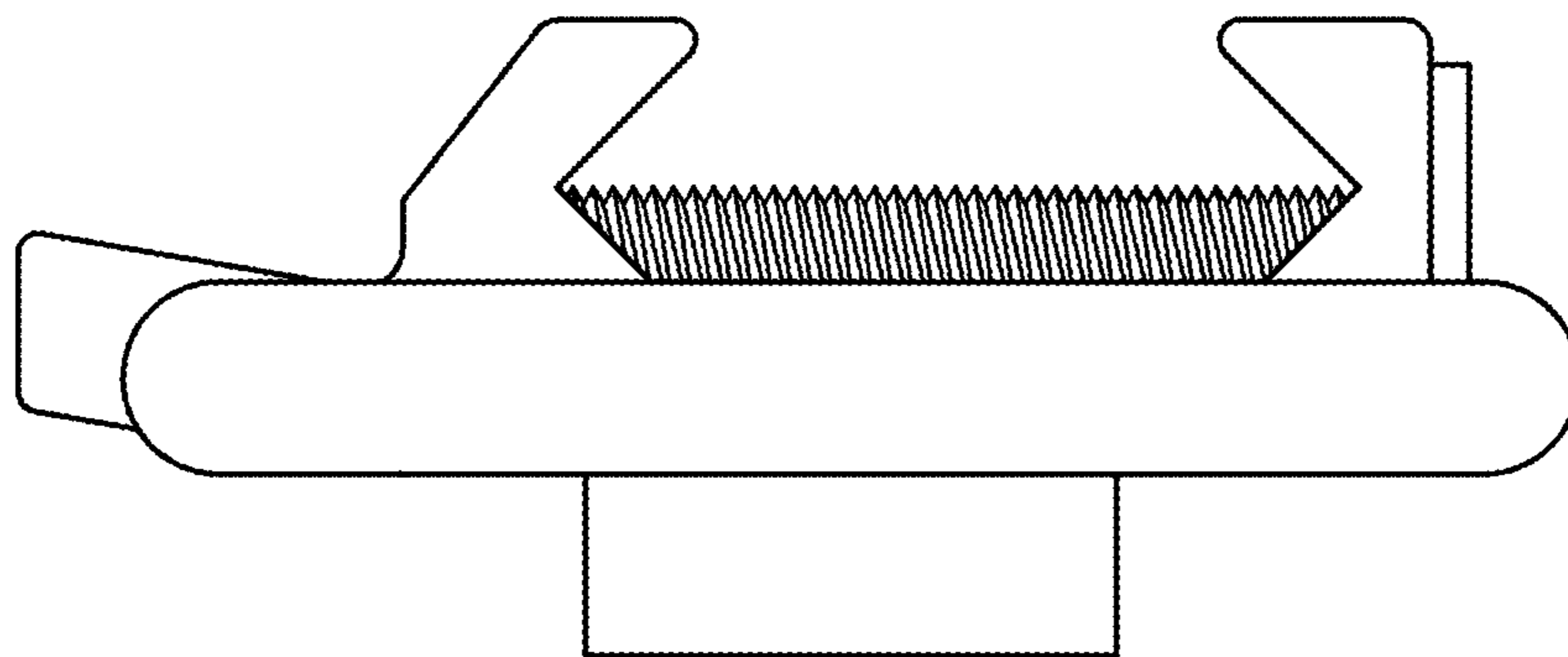


Fig. 5

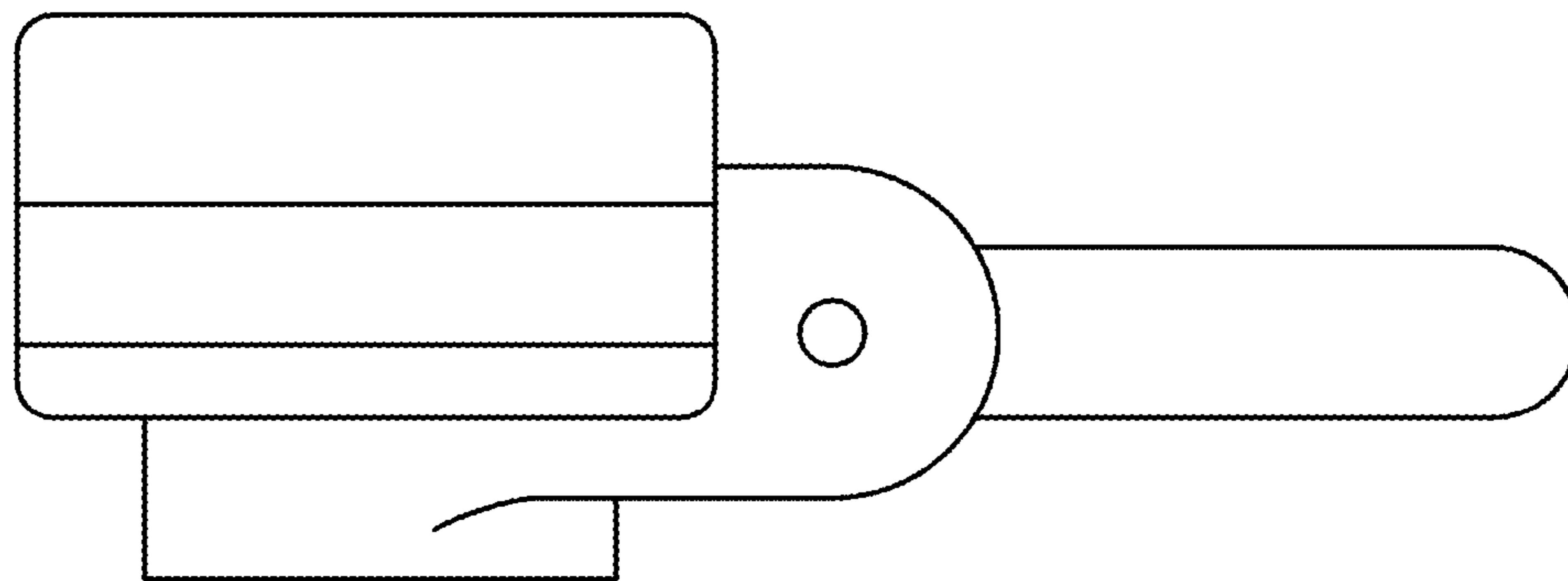


Fig. 6

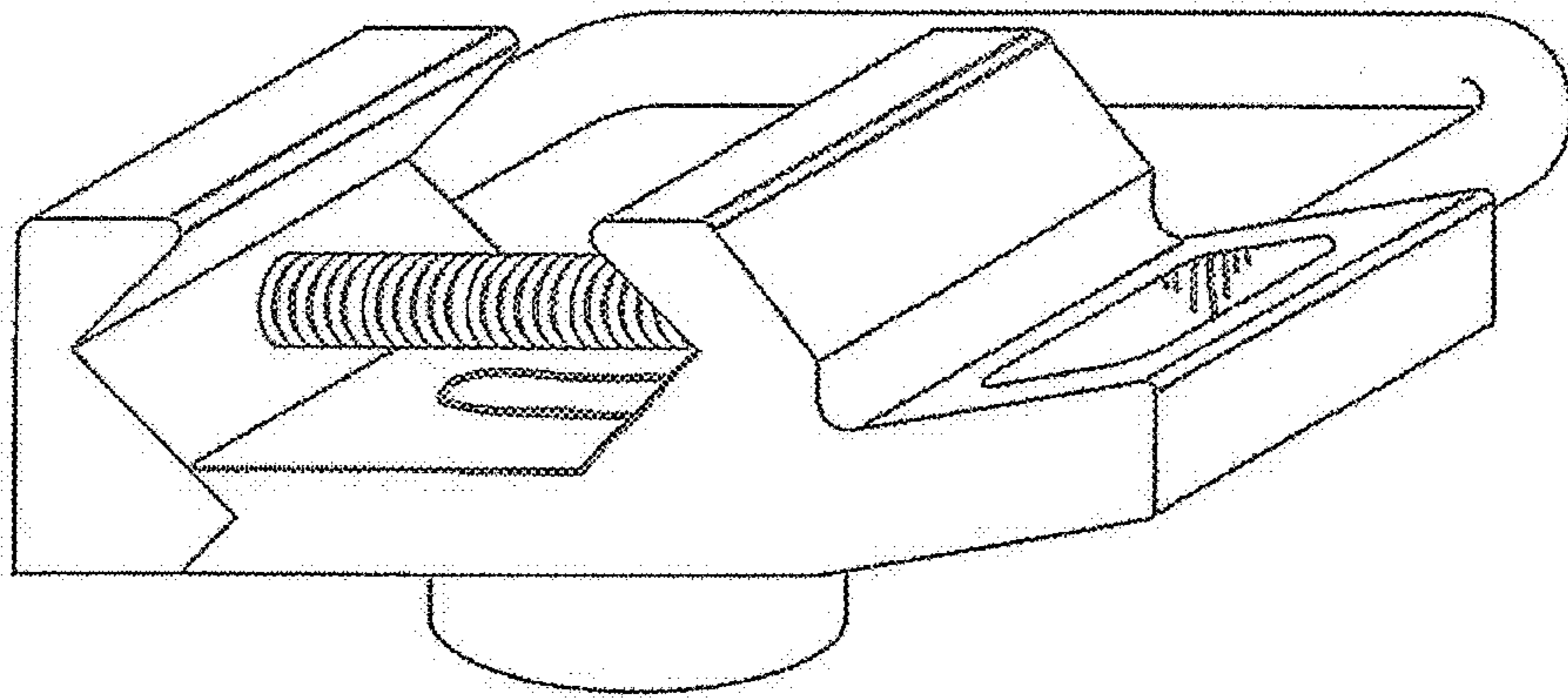


Fig. 7