

US00D697158S

(12) **United States Design Patent**
Wilkie

(10) **Patent No.:** **US D697,158 S**
(45) **Date of Patent:** **** Jan. 7, 2014**

- (54) **PUTTING APPARATUS**
- (71) Applicant: **DWI Concepts Limited**, Edinburgh (GB)
- (72) Inventor: **Douglas Scott Wilkie**, Edinburgh (GB)
- (73) Assignee: **DWI Concepts Limited** (GB)
- (**) Term: **14 Years**
- (21) Appl. No.: **29/434,943**
- (22) Filed: **Oct. 18, 2012**

5,501,462 A *	3/1996	Shih	473/163
5,595,543 A *	1/1997	Wolk	473/162
D384,385 S *	9/1997	Farage	D21/791
D387,836 S *	12/1997	Farnsworth	D21/791
5,733,200 A *	3/1998	Kim	473/161
D399,285 S *	10/1998	Ridge	D21/789
D418,891 S *	1/2000	Sirak	D21/791
D431,855 S *	10/2000	Rose	D21/791
D461,517 S *	8/2002	Morgan et al.	D21/791
6,561,920 B1 *	5/2003	Hamilton	473/257
D520,096 S *	5/2006	Prestwich	D21/791
D558,849 S *	1/2008	Taira et al.	D21/791
D600,299 S *	9/2009	Hanley	D21/791
D614,253 S *	4/2010	Hadley	D21/791
D635,214 S *	3/2011	Johansen	D21/791
D640,763 S *	6/2011	Jones et al.	D21/789
D672,001 S *	12/2012	Whitfield	D21/791

- (30) **Foreign Application Priority Data**
- Apr. 24, 2012 (EP) 2031955-0002
- (51) **LOC (10) Cl.** **21-02**
- (52) **U.S. Cl.**
- USPC **D21/791**
- (58) **Field of Classification Search**
- USPC D21/789, 790, 791; 473/257-262, 219, 473/270, 229, 221, 265, 173, 278
- See application file for complete search history.

* cited by examiner

Primary Examiner — Mitchell Siegel
(74) *Attorney, Agent, or Firm* — Snell & Wilmer L.L.P.

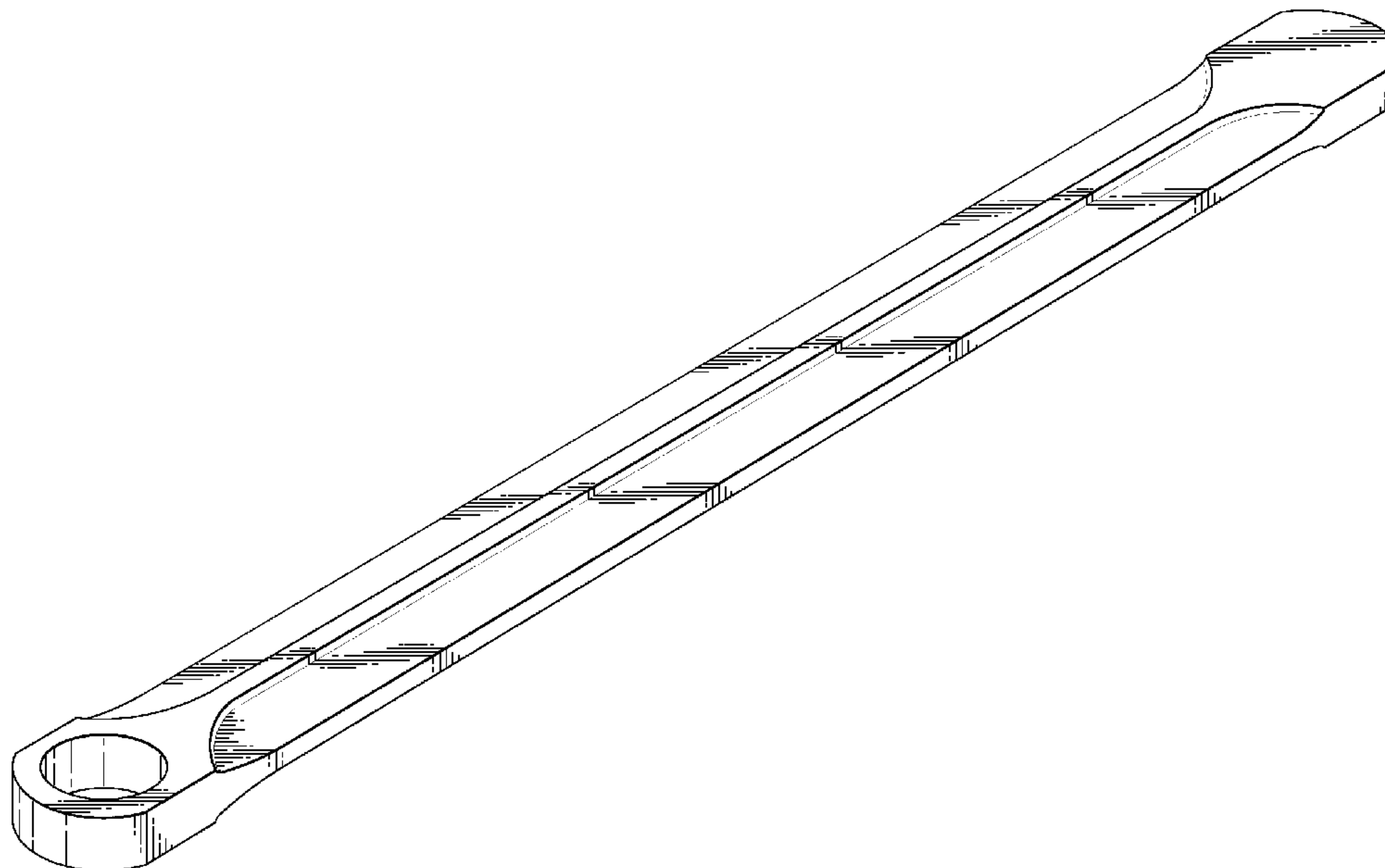
- (56) **References Cited**
- U.S. PATENT DOCUMENTS
- 2,858,133 A * 10/1958 Self 473/229
- D199,127 S * 9/1964 Nelson D21/791
- D239,299 S * 3/1976 O'Shea D21/790
- 4,691,923 A * 9/1987 Schwartz 473/185
- 5,171,016 A * 12/1992 Kamal 473/160
- D334,777 S * 4/1993 Caravella D21/303
- D338,512 S * 8/1993 Crow et al. D21/791
- D354,107 S * 1/1995 Kueng et al. D21/791

(57) **CLAIM**
The ornamental design for a putting apparatus, as shown and described.

DESCRIPTION

FIG. 1 is a perspective view of a putting apparatus showing the new design;
FIG. 2 is an underside view of the putting apparatus of FIG. 1;
FIG. 3 is an end view of the putting apparatus of FIG. 1;
FIG. 4 is the other end view thereof;
FIG. 5 is a side view thereof;
FIG. 6 is the other side view thereof; and,
FIG. 7 is a perspective view thereof.

1 Claim, 3 Drawing Sheets



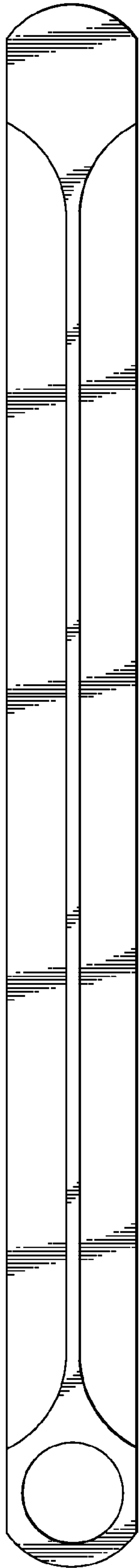


Fig. 1

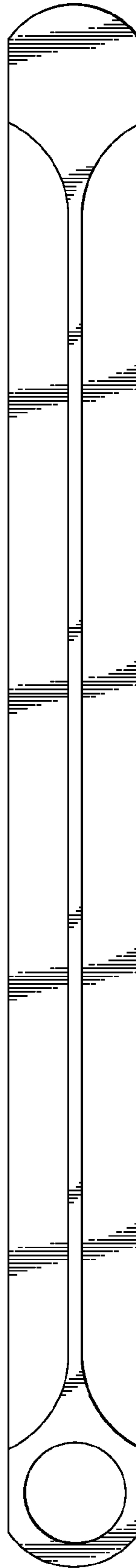


Fig. 2

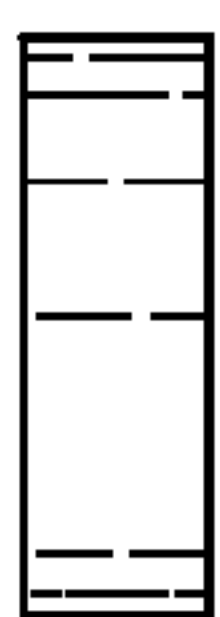


Fig. 3

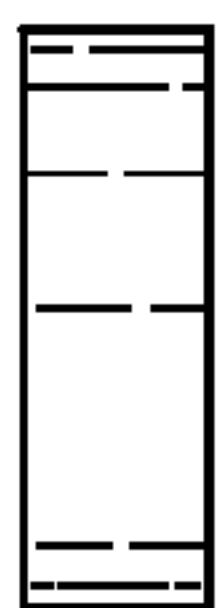


Fig. 4

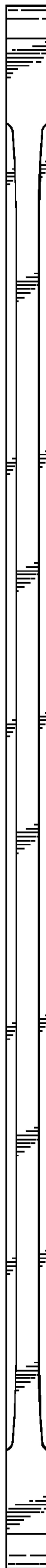


Fig. 5



Fig. 6

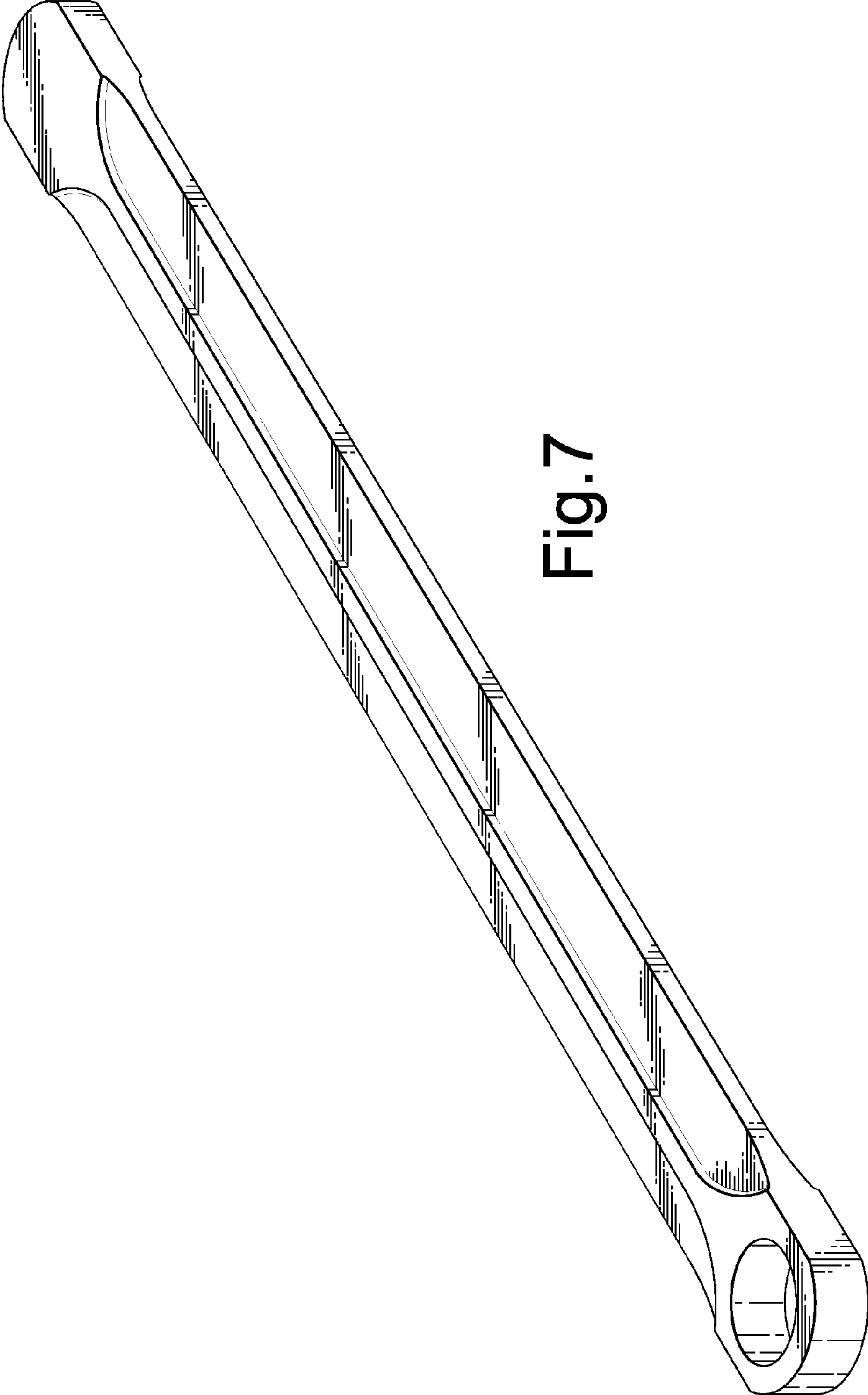


Fig. 7