

US00D697157S

(12) **United States Design Patent**  
**Siklosi et al.**

(10) **Patent No.:** **US D697,157 S**  
(45) **Date of Patent:** **\*\* Jan. 7, 2014**

(54) **FREE STANDING GRAPPLING BAG WITH TRIPOD BASE**

- (71) Applicant: **Century, LLC**, Oklahoma City, OK (US)
- (72) Inventors: **Tibor Siklosi**, Norman, OK (US); **Kurt Hafeken**, Edmond, OK (US); **Jeffrey Woodson**, Choctaw, OK (US)
- (73) Assignee: **Century, LLC**, Oklahoma City, OK (US)
- (\*\*) Term: **14 Years**
- (21) Appl. No.: **29/456,684**
- (22) Filed: **Jun. 3, 2013**

**Related U.S. Application Data**

- (63) Continuation of application No. 13/758,269, filed on Feb. 4, 2013.
- (51) **LOC (10) Cl.** ..... **21-02**
- (52) **U.S. Cl.**  
USPC ..... **D21/787**
- (58) **Field of Classification Search**  
USPC ..... D21/300, 302, 306, 385, 396, 576, 578, D21/585, 621, 622, 623, 627, 658, 662, 686, D21/688, 689, 692-695, 698, 699, 787, 798, D21/304; D20/10, 12, 16, 17, 19, 31, 32, D20/41; D25/42-44, 126-133; D10/46.1, D10/109.1, 109.2, 113.2, 113.3, 113.4, D10/114.1, 114.6; D6/315, 316, 411, 415, D6/455, 457, 495-498, 512, 518-523, 552, D6/352, 363, 366; 482/83-90; 473/422, 473/441-445; 40/607.01-607.12; 248/160, 248/910, 165, 166, 171, 177.1, 188.7; 116/63 P; 211/171, 195, 196, 203, 205

See application file for complete search history.

(56) **References Cited**

U.S. PATENT DOCUMENTS

472,192	A *	4/1892	Loring	16/365
1,269,559	A *	6/1918	Fauver et al.	473/441
D169,243	S *	4/1953	Doherty	D21/787
4,330,119	A *	5/1982	Marshall, Jr.	482/84
D356,127	S *	3/1995	Mara	D21/798
D377,201	S *	1/1997	Howard	D21/787
D389,078	S *	1/1998	Freeman et al.	D10/113.2
D389,204	S *	1/1998	Bates, II	D21/686
5,941,801	A *	8/1999	D'Alto	482/90
6,893,384	B2 *	5/2005	Triani	482/83
7,063,648	B1 *	6/2006	Brigham	482/83
7,147,579	B2 *	12/2006	Forrest	473/441
7,150,700	B2 *	12/2006	MacKay et al.	482/83
7,224,271	B2 *	5/2007	Wang	340/473
7,297,092	B1 *	11/2007	Gaynor	482/86
D562,715	S *	2/2008	Treloar	D10/113.4
D584,785	S *	1/2009	McDonald	D21/787

(Continued)

*Primary Examiner* — Catherine Tuttle

(74) *Attorney, Agent, or Firm* — Head, Johnson & Kachigian, P.C.

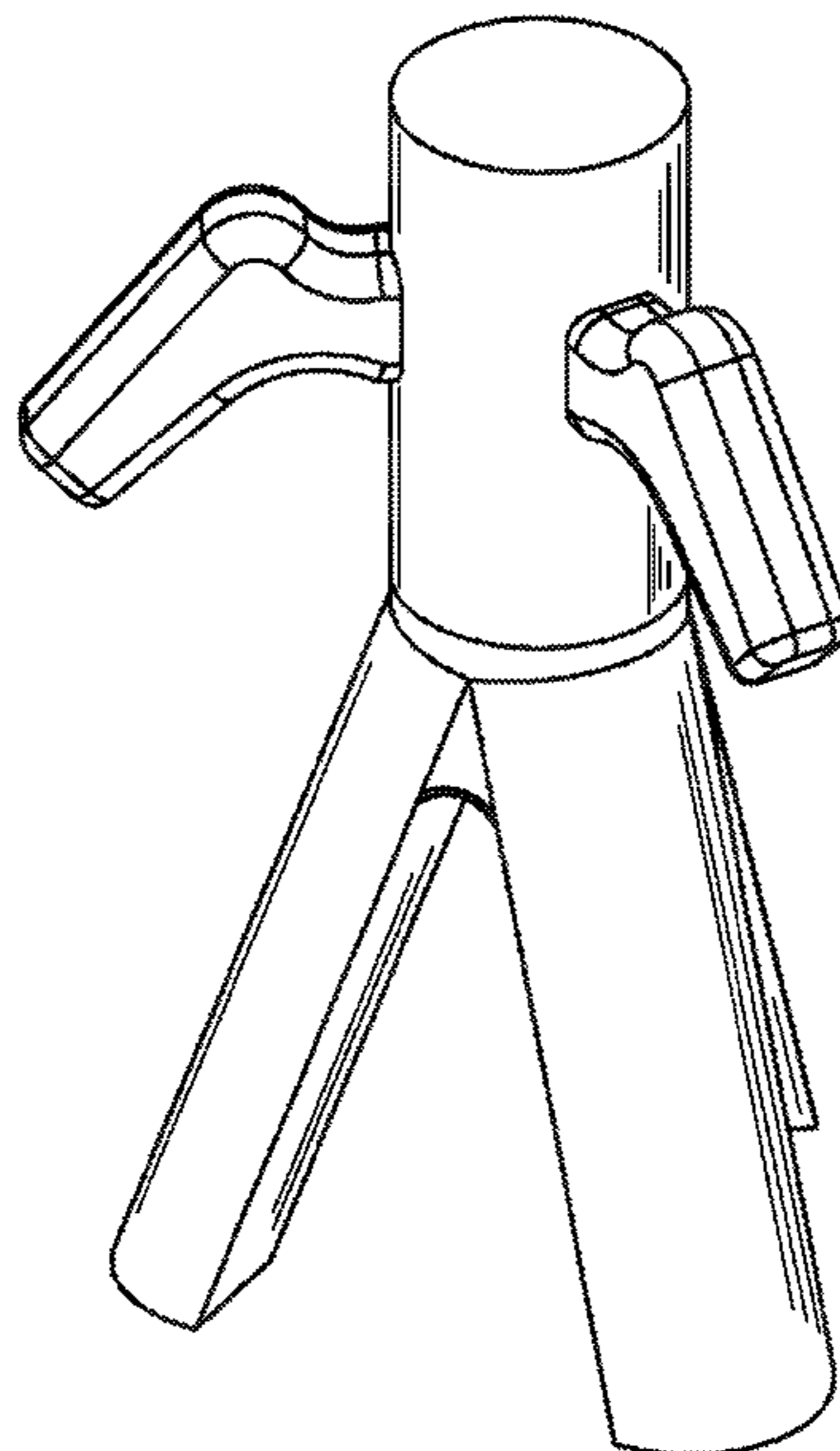
(57) **CLAIM**

The ornamental design for a free standing grappling bag with tripod base, as shown and described.

**DESCRIPTION**

FIG. 1 is a perspective view of the free standing grappling bag with tripod base showing our new design;  
 FIG. 2 is a front view thereof;  
 FIG. 3 is a back view thereof;  
 FIG. 4 is a right side view thereof, where the left side view is a mirror image of the right side view;  
 FIG. 5 is a top view thereof; and,  
 FIG. 6 is a bottom view thereof.

**1 Claim, 5 Drawing Sheets**



# US D697,157 S

Page 2

---

(56)

## References Cited

### U.S. PATENT DOCUMENTS

2002/0193211	A1 *	12/2002	Kao	.....	482/83	
2004/0209743	A1 *	10/2004	Perez	.....	482/83	
2007/0093362	A1 *	4/2007	Clayton	.....	482/88	
2008/0254950	A1 *	10/2008	Beliles	.....	482/83	
2011/0015040	A1 *	1/2011	Fleitz	.....	482/8	

\* cited by examiner

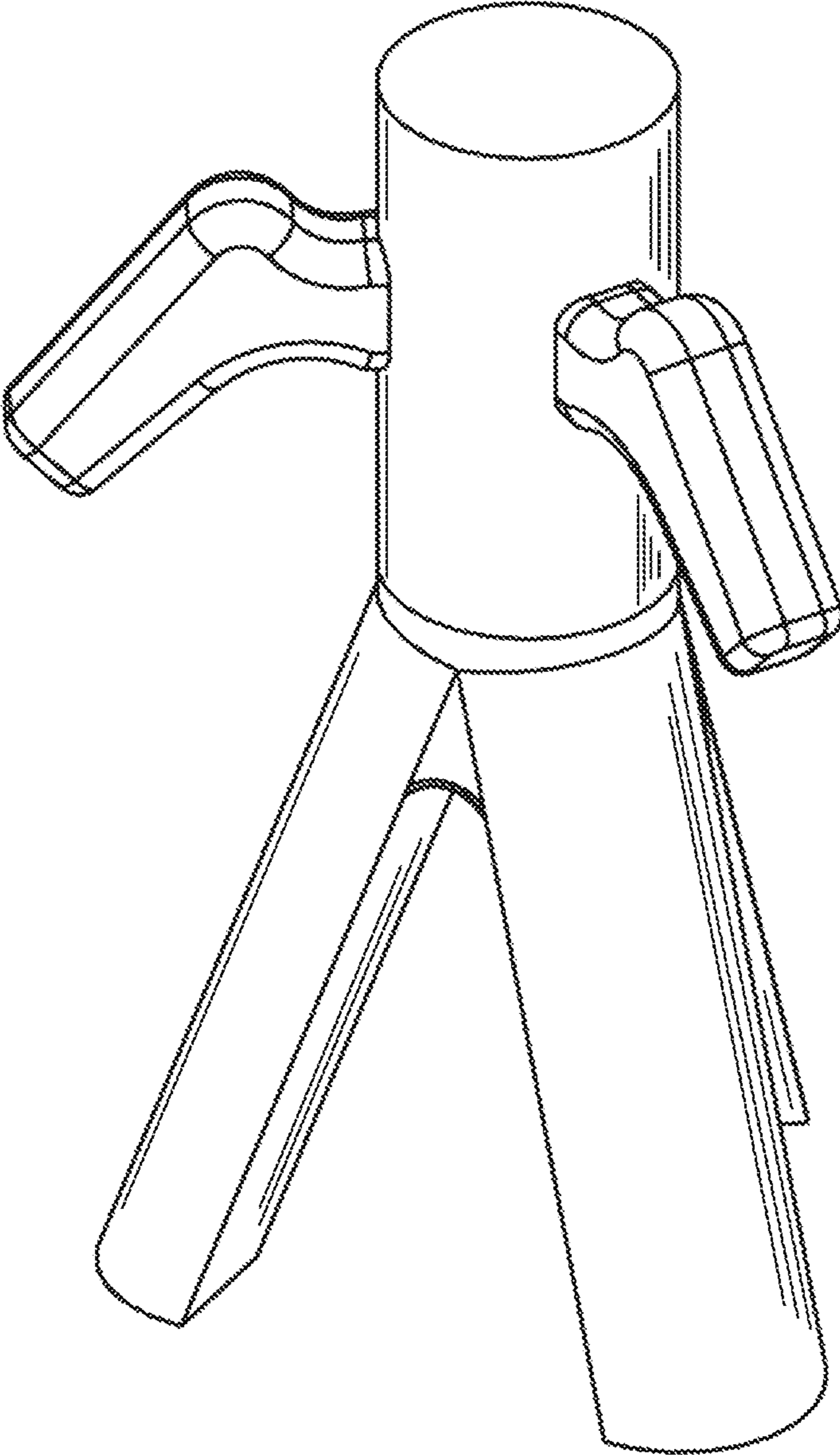


Figure 1

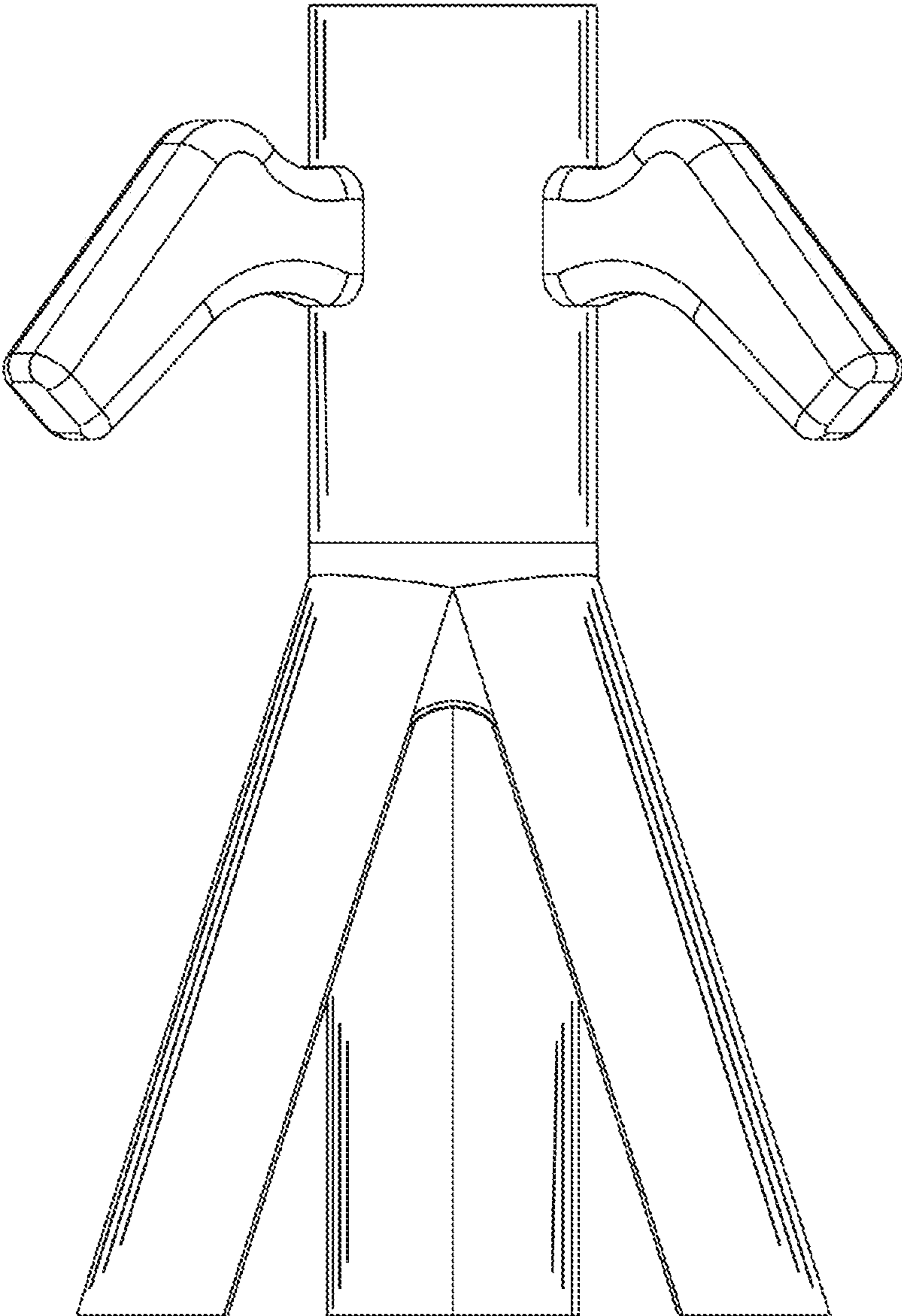


Figure 2

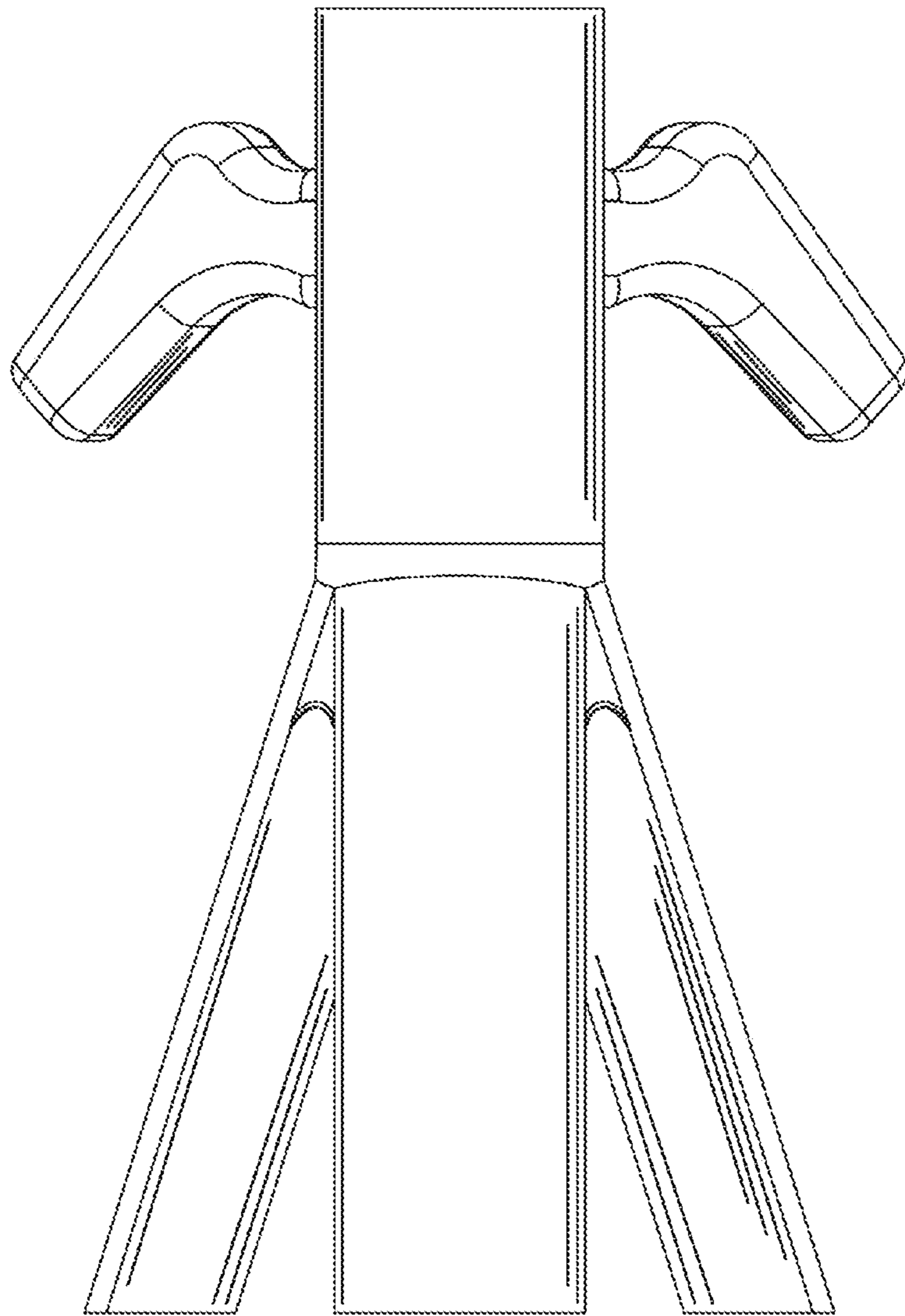


Figure 3

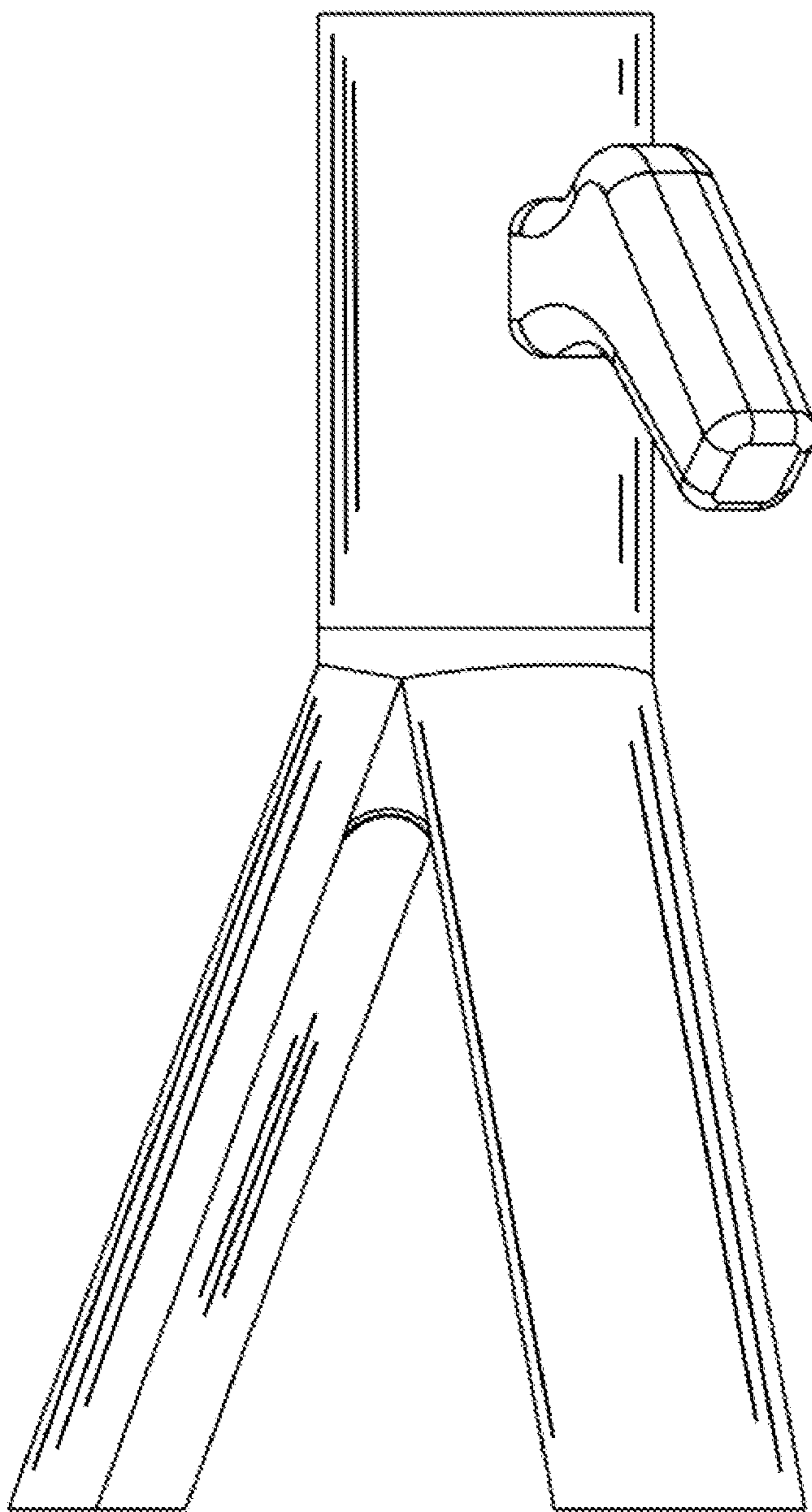


Figure 4

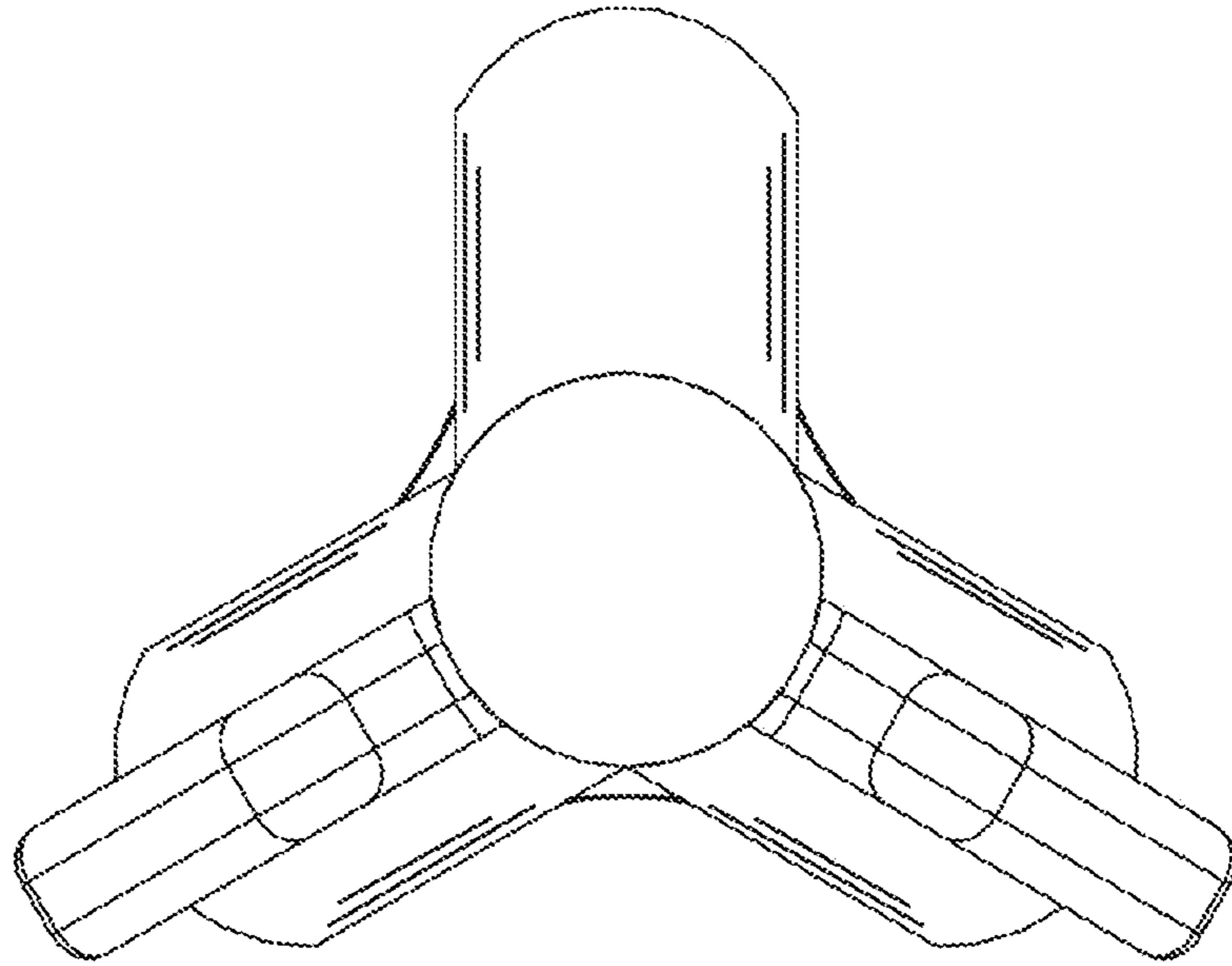


Figure 5

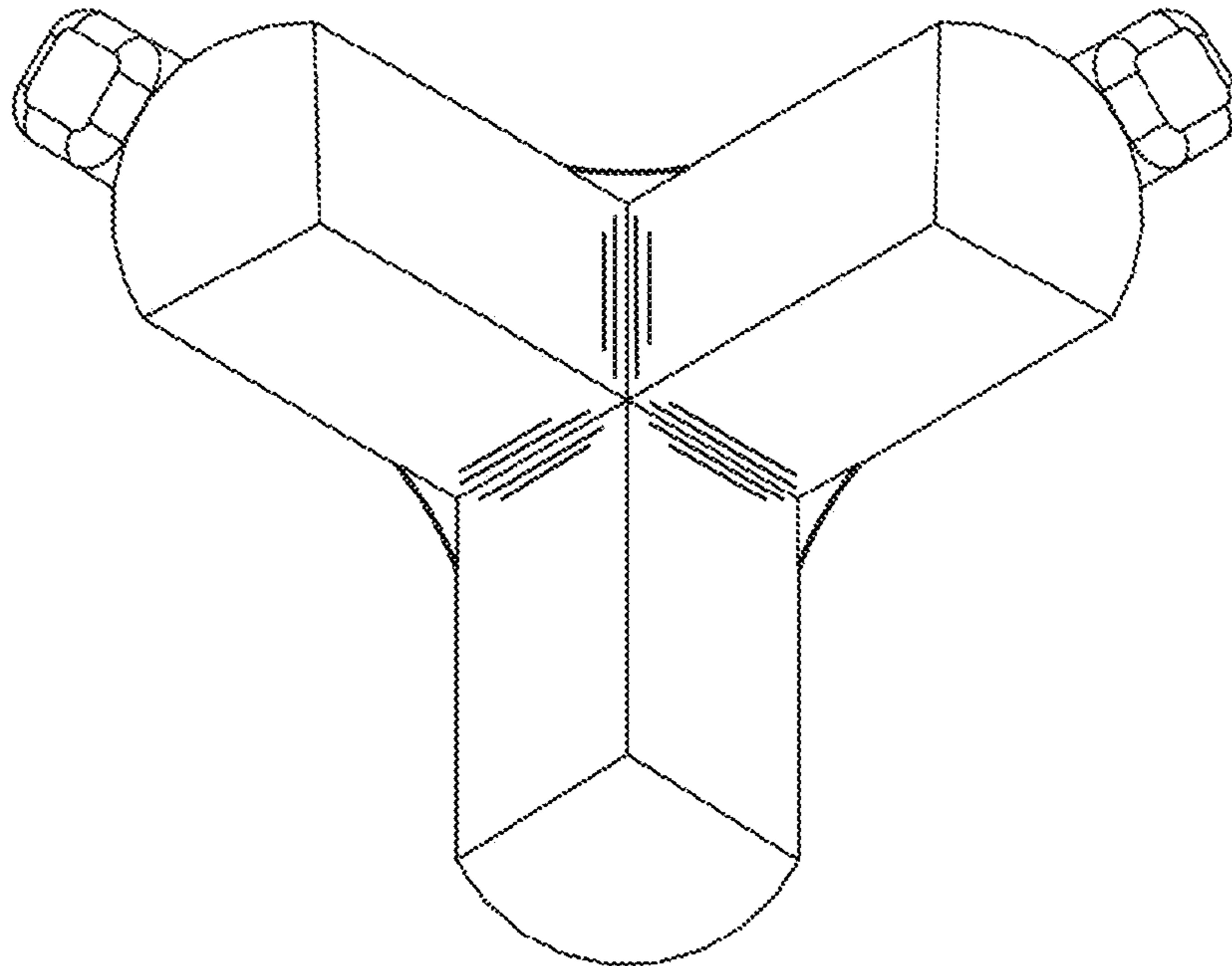


Figure 6