

US00D697156S

(12) **United States Design Patent**
Seluga et al.

(10) **Patent No.:** **US D697,156 S**
(45) **Date of Patent:** **** Jan. 7, 2014**

(54) **GOLF CLUB HOSEL PIECE**
(71) Applicant: **Callaway Golf Company**, Carlsbad, CA (US)
(72) Inventors: **James A. Seluga**, Carlsbad, CA (US);
Denver Holt, Carlsbad, CA (US)
(73) Assignee: **Callaway Golf Company**, Carlsbad, CA (US)

(**) Term: **14 Years**
(21) Appl. No.: **29/444,780**

(22) Filed: **Feb. 4, 2013**
(51) **LOC (10) Cl.** **21-02**
(52) **U.S. Cl.**
USPC **D21/759**
(58) **Field of Classification Search**
USPC D21/736-752, 759; 473/324-331,
473/340-346, 350, 316-323, 309, 310,
473/242-246, 305, 288; D8/29
See application file for complete search history.

(56) **References Cited**
U.S. PATENT DOCUMENTS
4,943,059 A * 7/1990 Morell 473/306
6,110,055 A * 8/2000 Wilson 473/239
6,475,100 B1 * 11/2002 Helmstetter et al. 473/309
6,966,847 B2 * 11/2005 Lenhof et al. 473/305
7,029,402 B2 * 4/2006 Nakajima 473/309
7,699,717 B2 * 4/2010 Morris et al. 473/288

7,878,921 B2 * 2/2011 Bennett et al. 473/307
8,057,320 B2 * 11/2011 Bennett et al. 473/246
8,133,131 B1 * 3/2012 Bennett et al. 473/307
8,142,306 B2 * 3/2012 De La Cruz et al. 473/288
8,147,351 B2 * 4/2012 Bennett et al. 473/307
8,216,084 B2 * 7/2012 Bennett et al. 473/288
D682,378 S * 5/2013 Holt et al. D21/759
D682,965 S * 5/2013 Seluga et al. D21/759

* cited by examiner

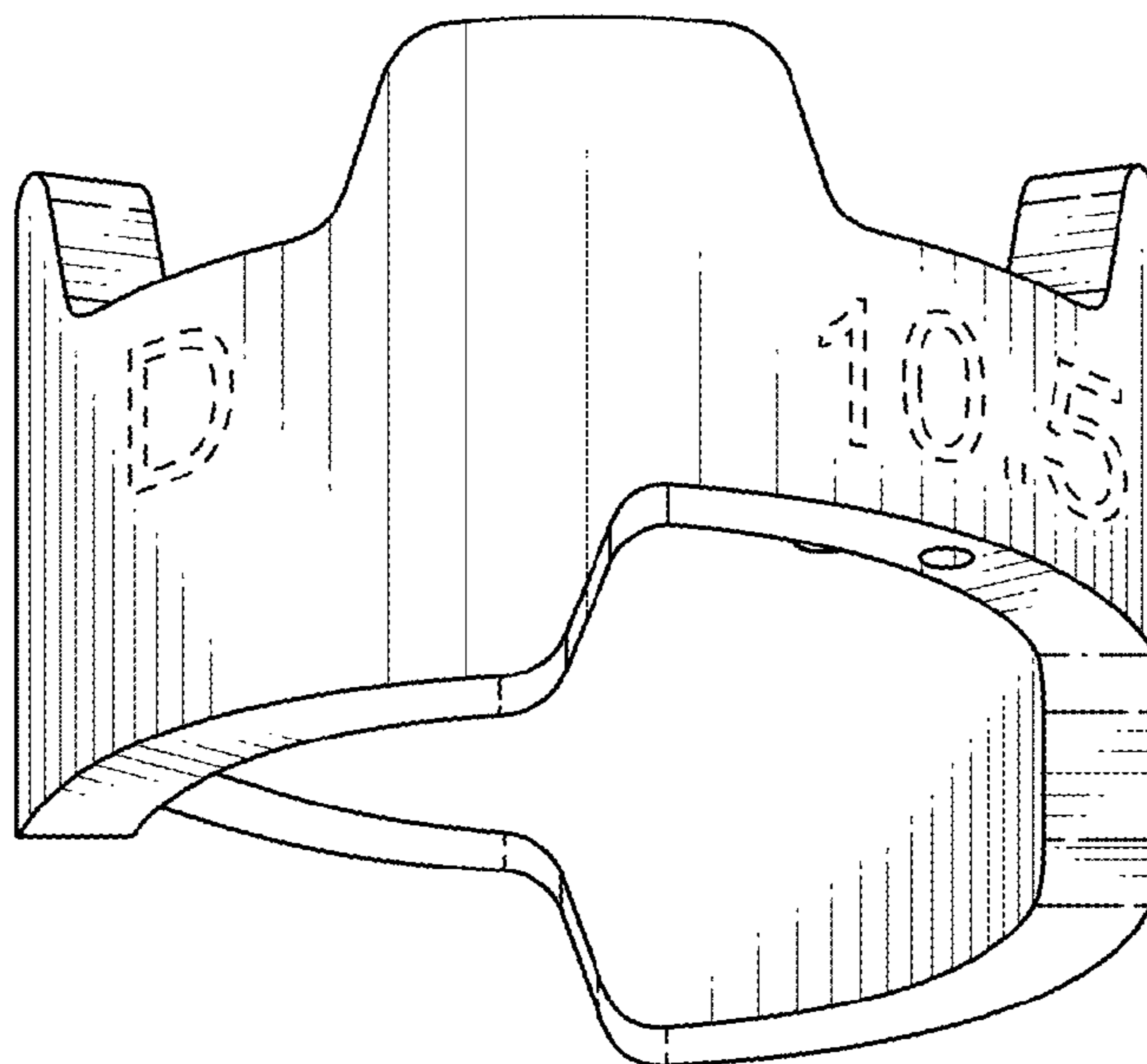
Primary Examiner — Mitchell Siegel
(74) *Attorney, Agent, or Firm* — Rebecca Hanovice;
Michael A. Catania; Sonia Lari

(57) **CLAIM**
The ornamental design for a golf club hosel piece, as shown and described.

DESCRIPTION

FIG. 1 is a bottom perspective view of the golf club hosel piece of the present invention;
FIG. 2 is a front side view thereof;
FIG. 3 is a rear side view thereof;
FIG. 4 is a left side view thereof;
FIG. 5 is a right side view thereof;
FIG. 6 is a bottom plan view thereof;
FIG. 7 is a top plan view thereof; and,
FIG. 8 is a top perspective view thereof.
The broken lines are included for the purpose of illustration only and form no part of the claimed design.

1 Claim, 3 Drawing Sheets



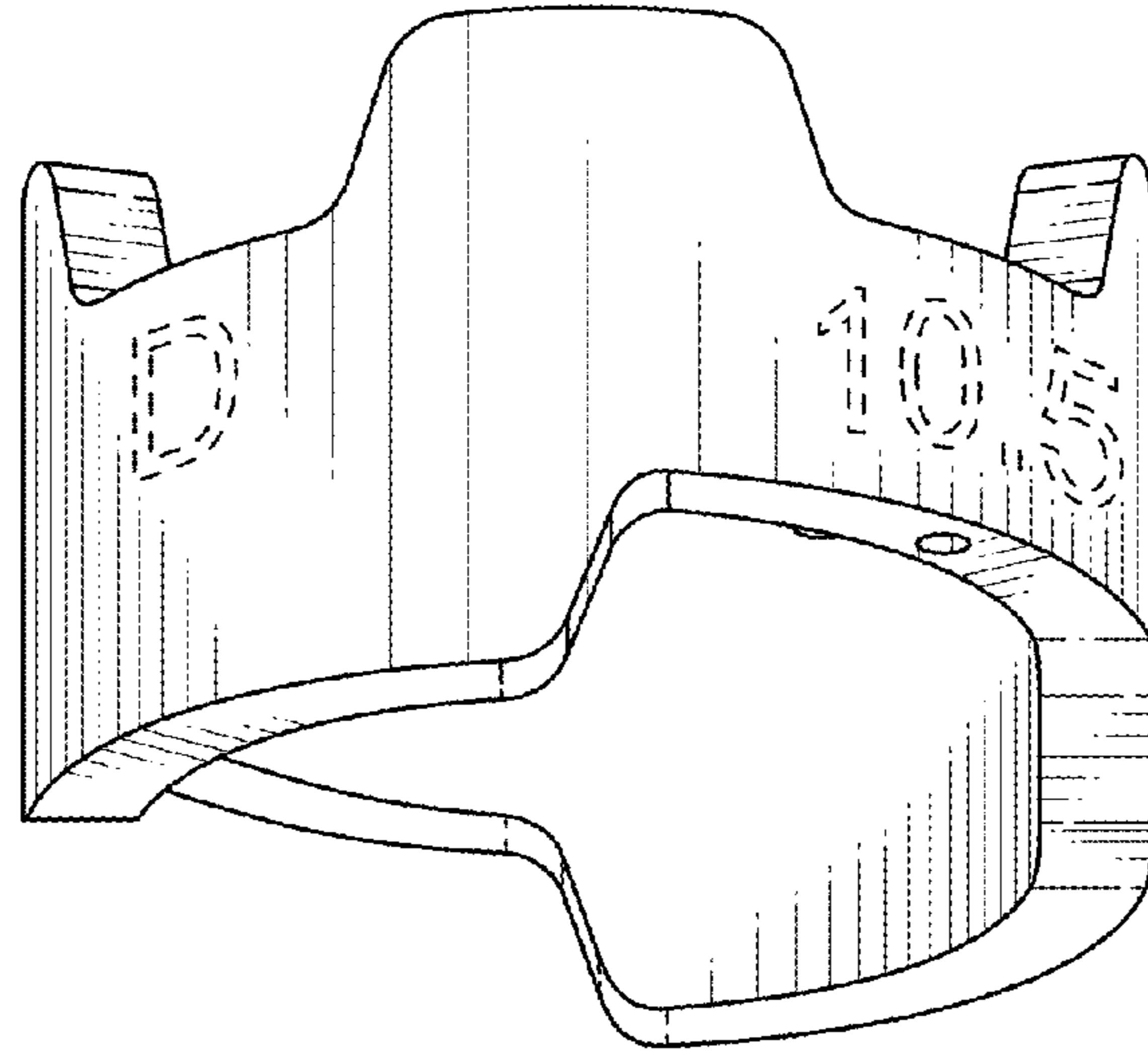


FIG. 1

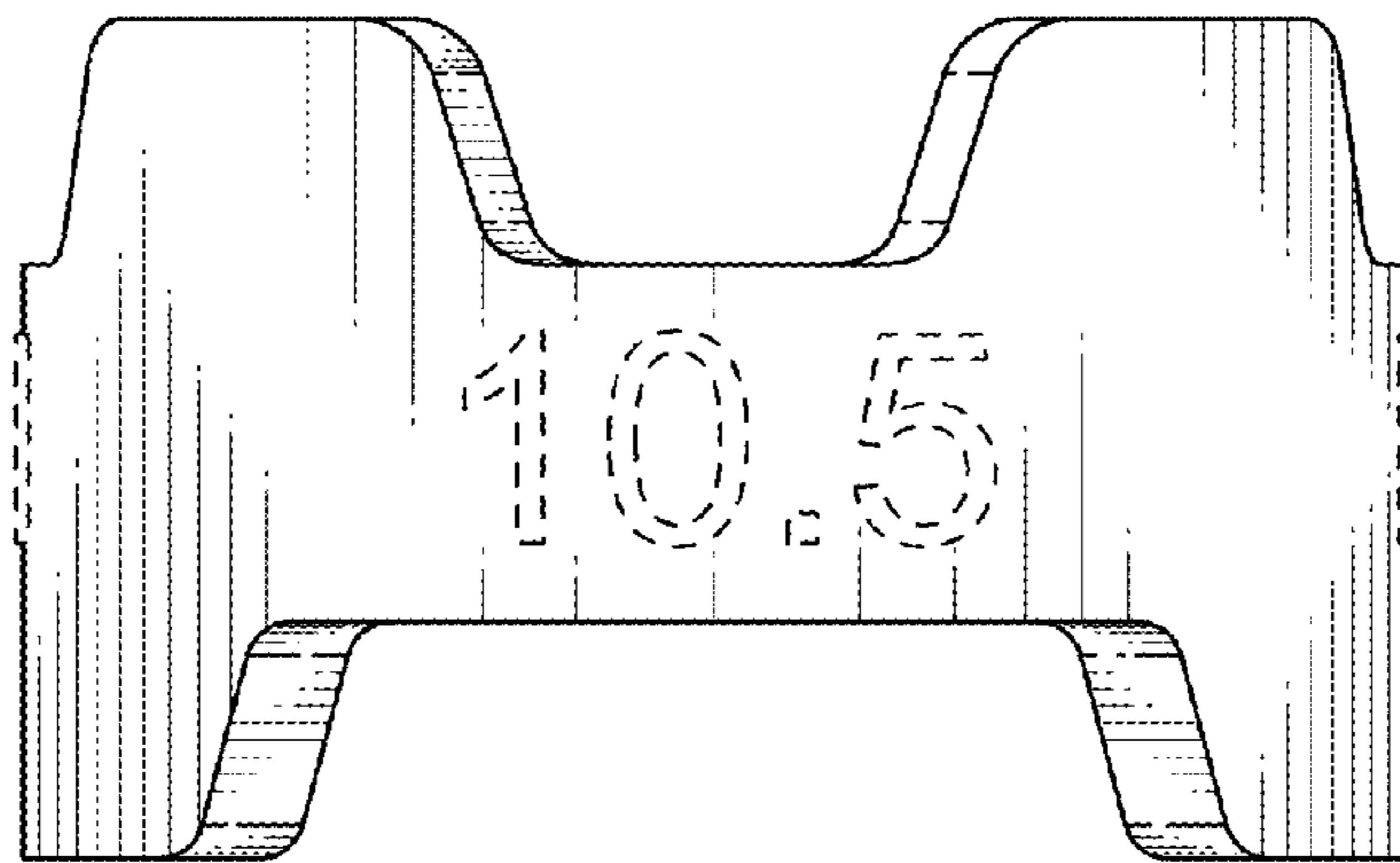


FIG. 2

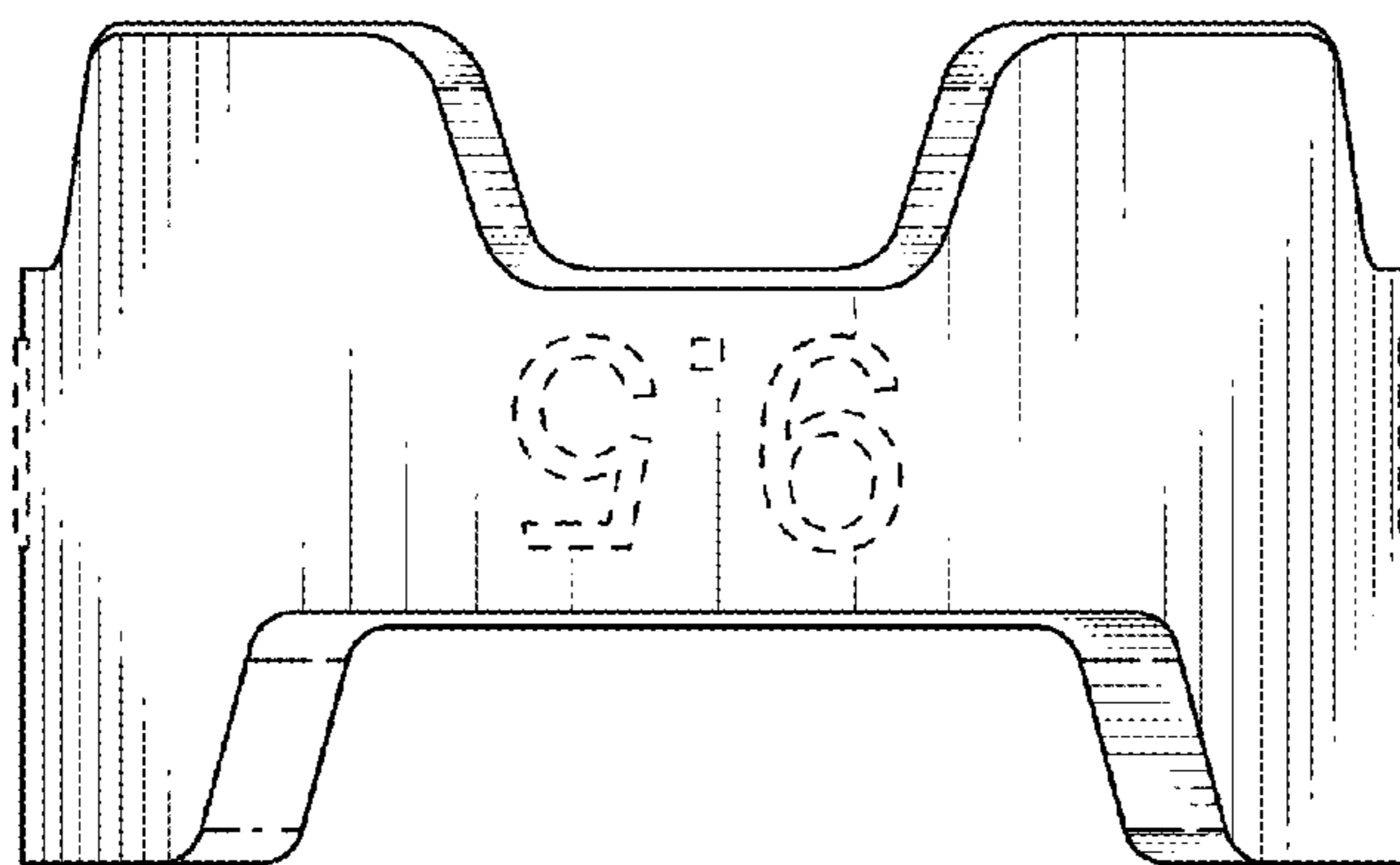


FIG. 3

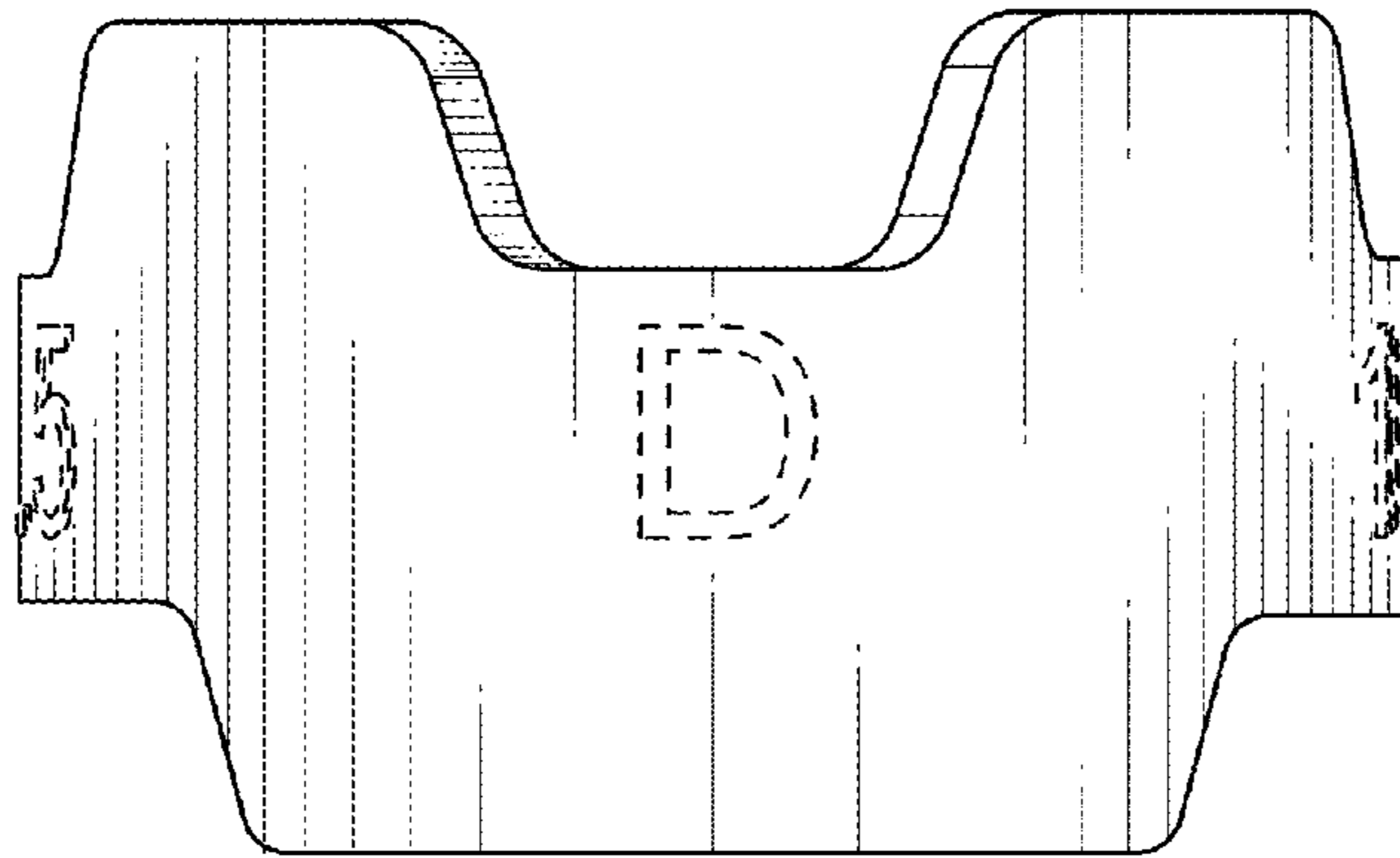


FIG. 4

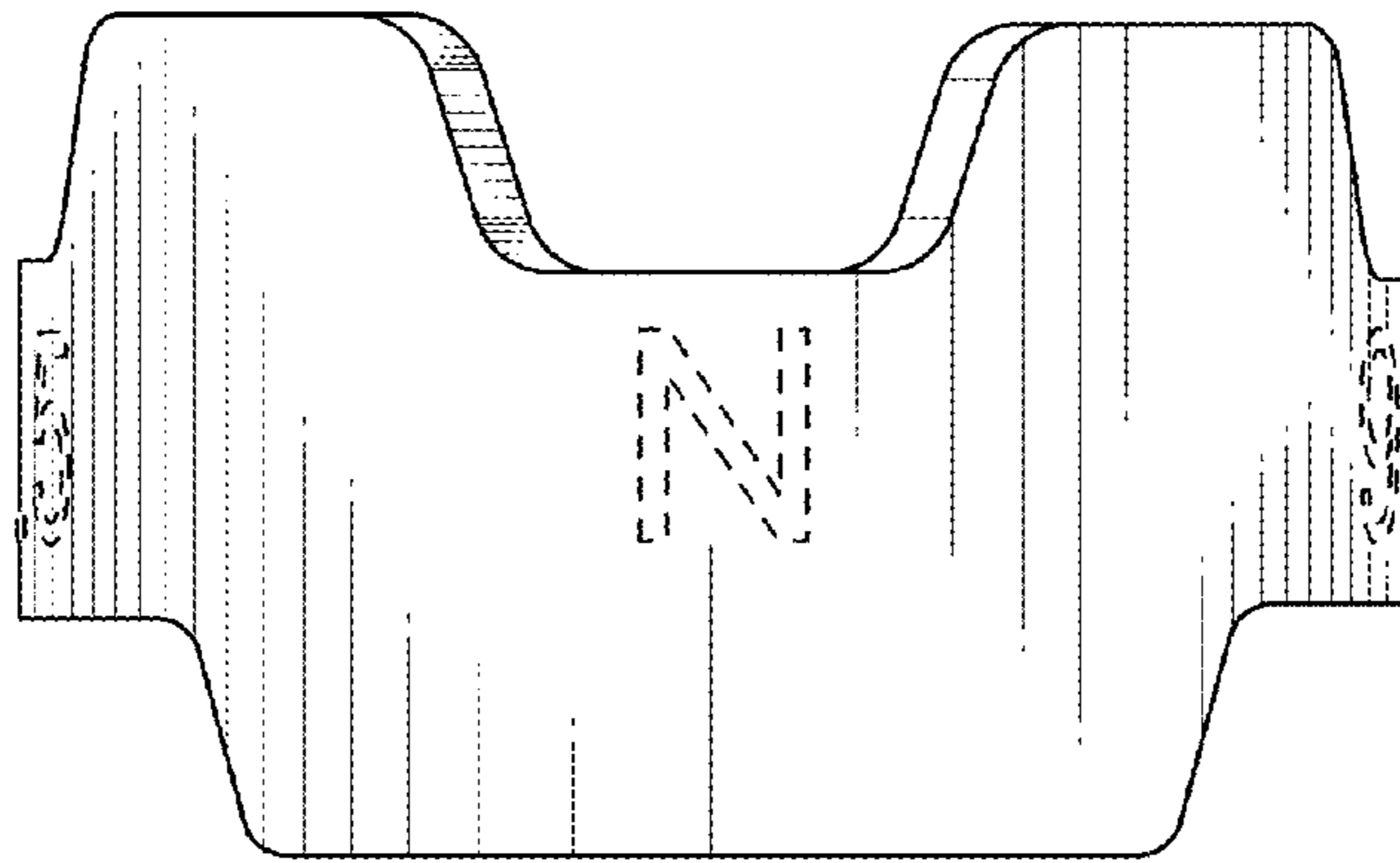


FIG. 5

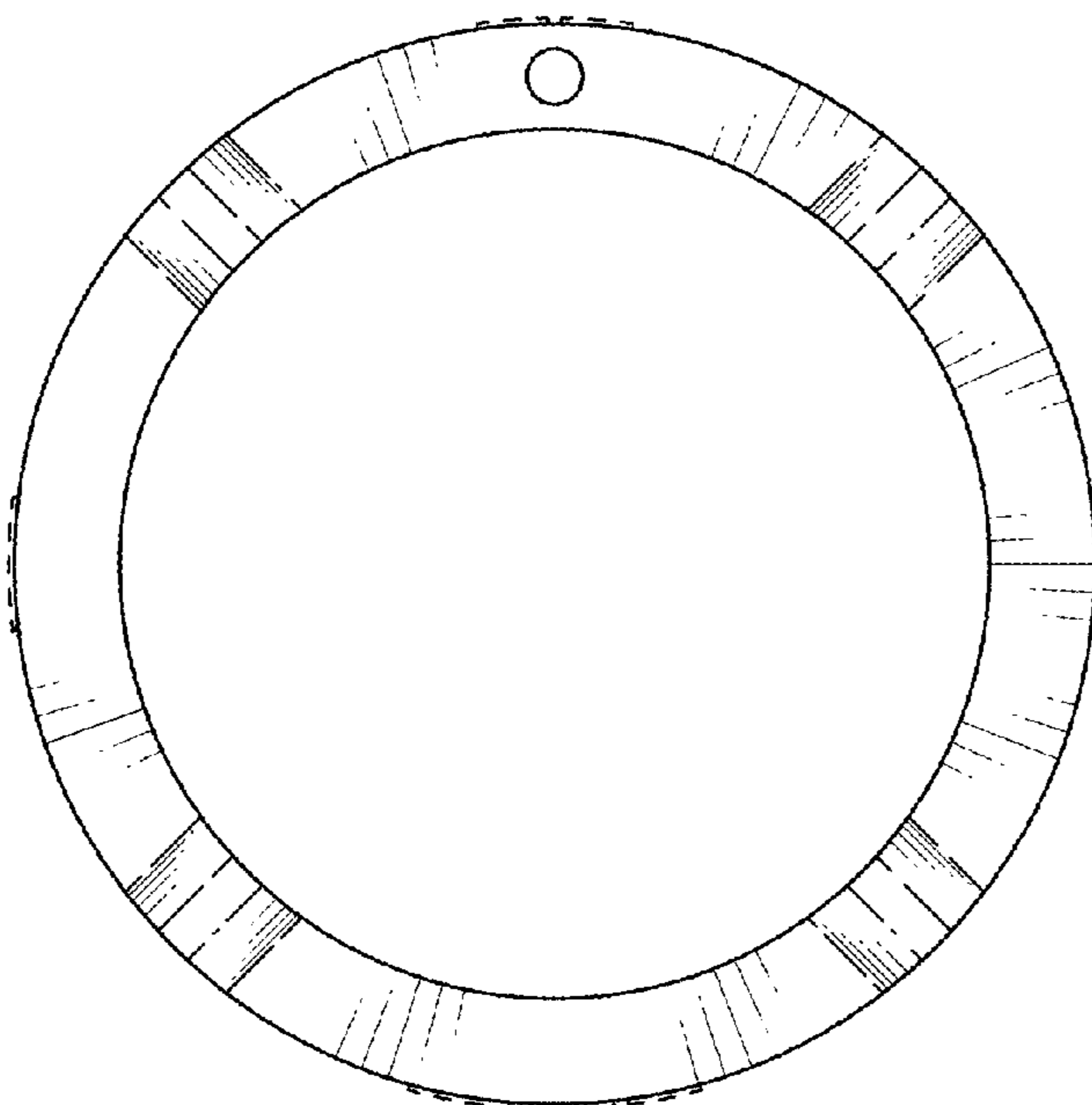


FIG. 6

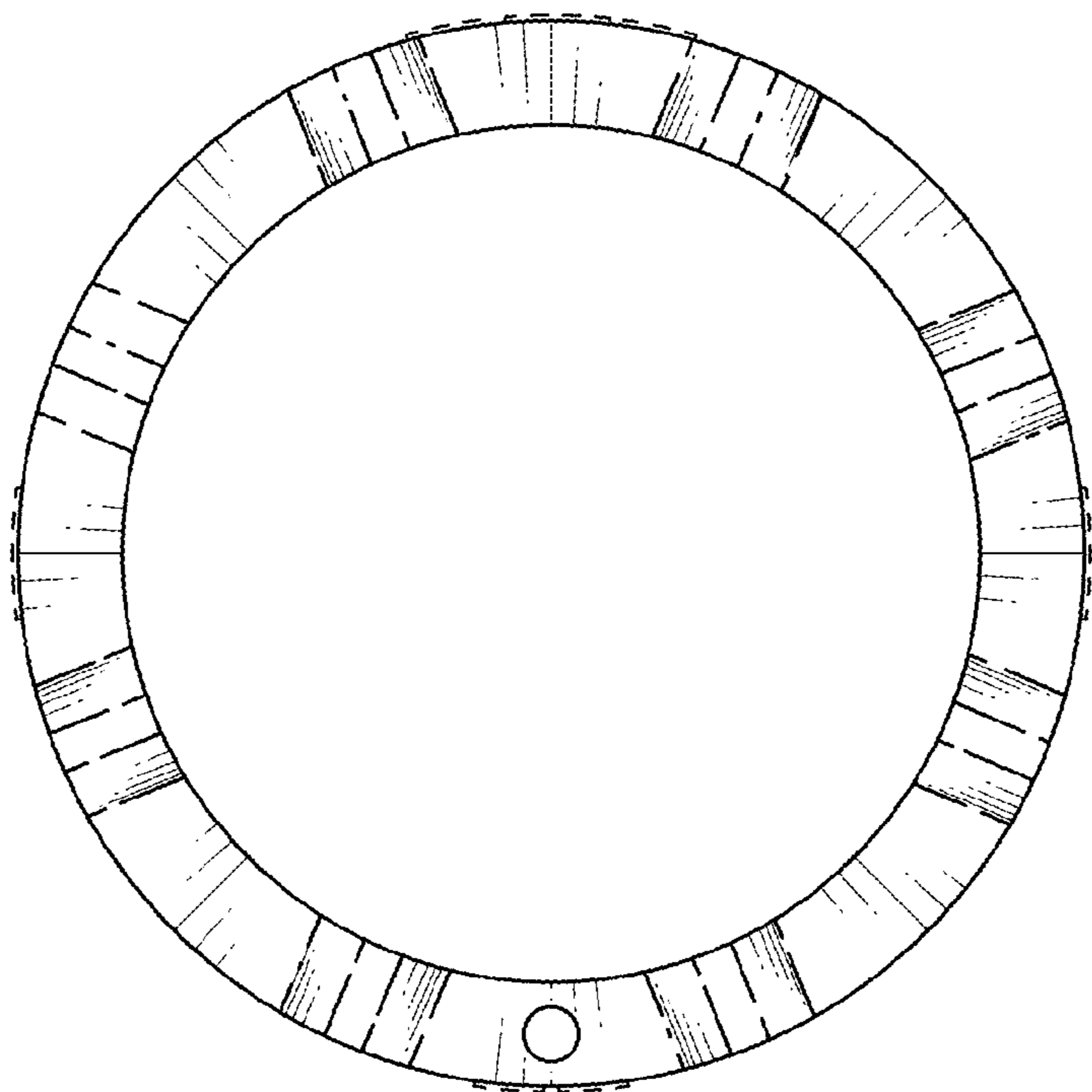


FIG. 7

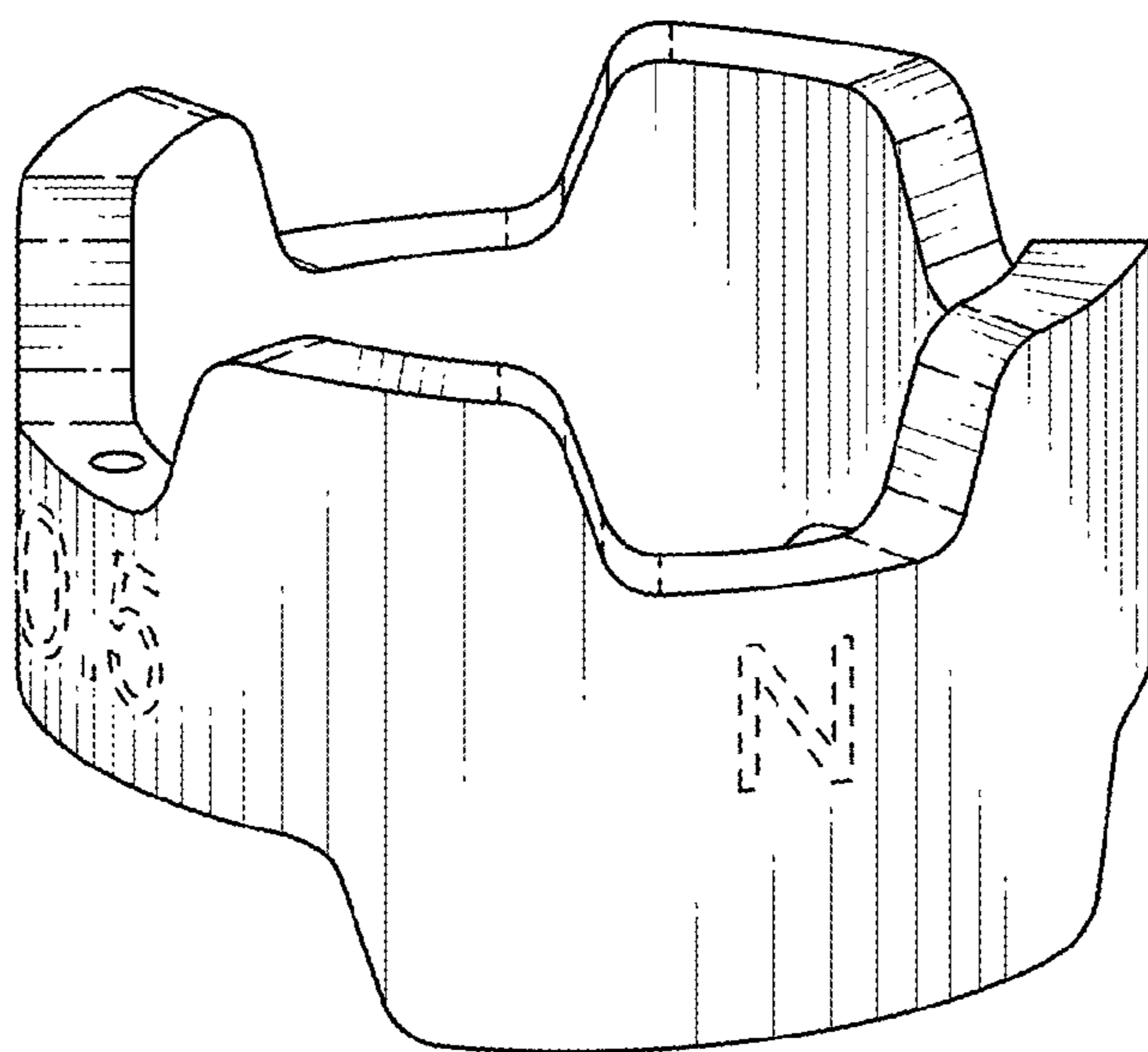


FIG. 8