



US00D697147S

(12) **United States Design Patent**
Mimlitch, III et al.

(10) **Patent No.:** **US D697,147 S**
(45) **Date of Patent:** **** Jan. 7, 2014**

(54) **MERRY GO ROUND PART OF A PLAYSET**

(56) **References Cited**

(75) Inventors: **Robert H. Mimlitch, III**, Rowlett, TX (US); **David A. Norman**, Greenville, TX (US); **Douglas Galletti**, Allen, TX (US); **Joel Carter**, Argyle, TX (US); **Gregory Lavender**, Rockwall, TX (US); **Gregory Needel**, Rockwall, TX (US); **Christopher Robert Troyak**, Plano, TX (US); **Jeffrey Russell Waegelin**, Rockwall, TX (US); **Brian Richard Delaney**, Rockwall, TX (US)

U.S. PATENT DOCUMENTS

3,562,950	A *	2/1971	Genin	446/236
3,633,308	A *	1/1972	Yang	446/444
D224,427	S *	7/1972	Tomiyama	D21/509
4,267,661	A *	5/1981	Hanson	446/430
4,493,669	A *	1/1985	Neuhierl	446/103
D290,145	S *	6/1987	Wichman	D21/565
D396,501	S *	7/1998	Hatting	D21/484
5,899,789	A *	5/1999	Rehkemper et al.	446/444
6,663,464	B2 *	12/2003	Payne et al.	446/423
7,766,720	B2 *	8/2010	Ostendorff	446/444

* cited by examiner

(73) Assignee: **Innovation First, Inc.**, Greenville, TX (US)

Primary Examiner — Cynthia M Chin

(74) *Attorney, Agent, or Firm* — Adam K. Sacharoff

(**) Term: **14 Years**

(57) **CLAIM**

The ornamental design for a merry go round part of a playset, as shown and described.

(21) Appl. No.: **29/398,605**

DESCRIPTION

(22) Filed: **Aug. 2, 2011**

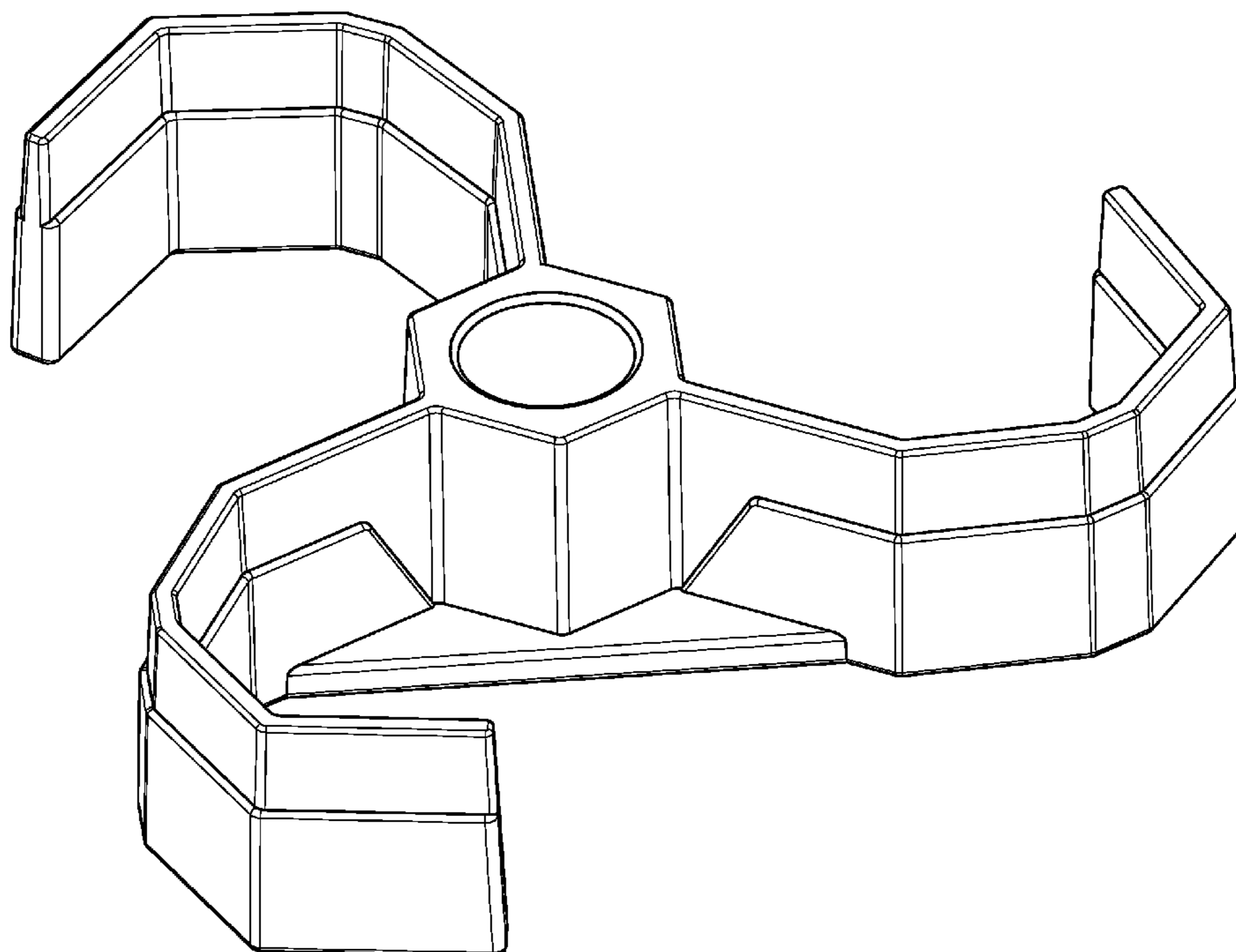
(51) **LOC (10) Cl.** **21-01**

(52) **U.S. Cl.**
USPC **D21/565**

(58) **Field of Classification Search**
USPC D21/412, 484, 490, 493, 506, 509, 564, D21/565, 814, 828; 446/168–174, 84, 89, 446/108, 112, 114, 116, 124–128, 429, 446/444–447; 463/58–69; 238/10 R, 238/10 A–10 C, 10 E, 10 F; 104/60, 69
See application file for complete search history.

FIG. 1 is a top perspective view showing the merry go round part of a playset;
FIG. 2 is a bottom perspective view of FIG. 1;
FIG. 3 is a top view of FIG. 1;
FIG. 4 is a bottom view of FIG. 1;
FIG. 5 is a right side view of FIG. 1;
FIG. 6 is a left side view of FIG. 1;
FIG. 7 is a front side view of FIG. 1; and,
FIG. 8 is a back side view of FIG. 1.

1 Claim, 8 Drawing Sheets



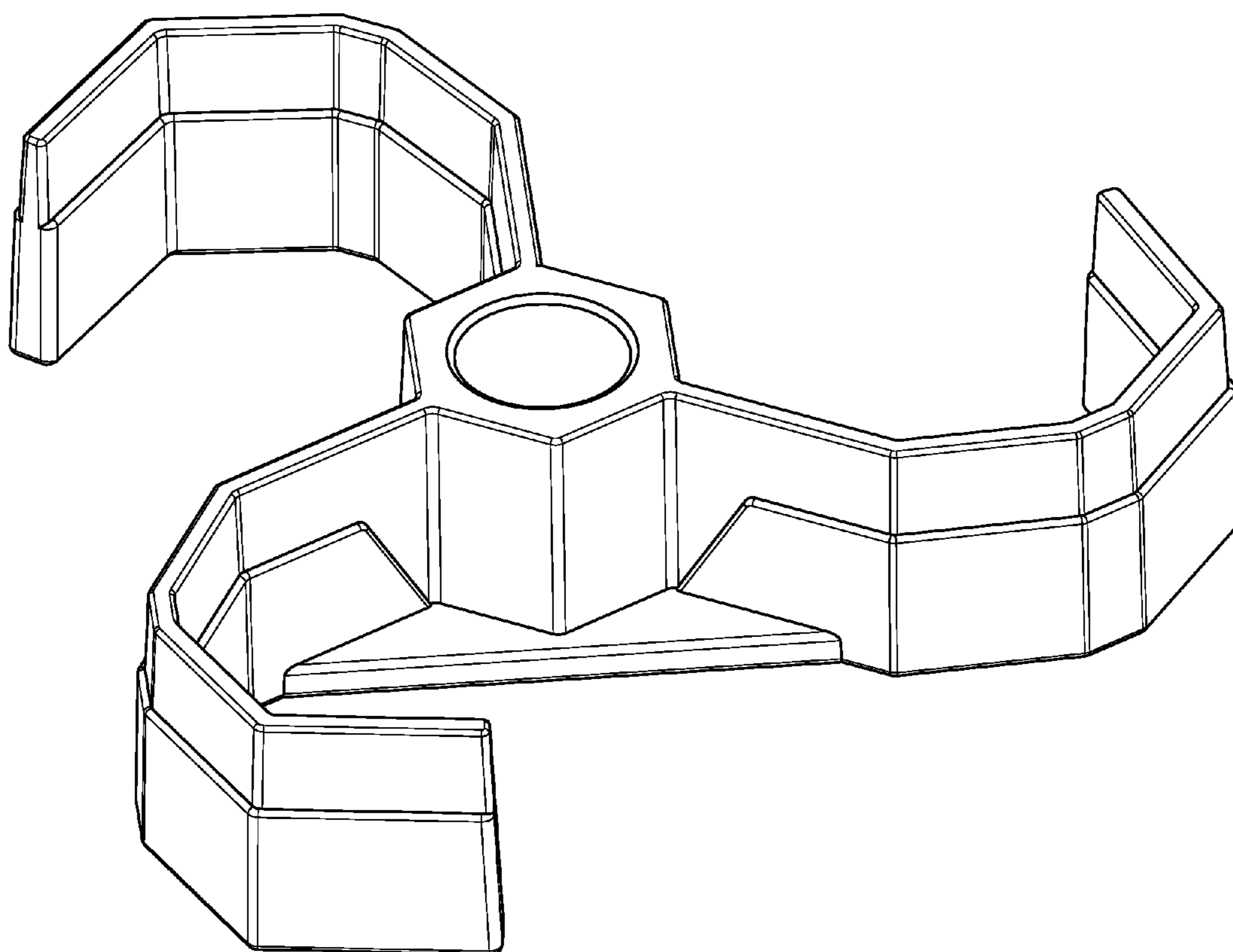


FIG. 1

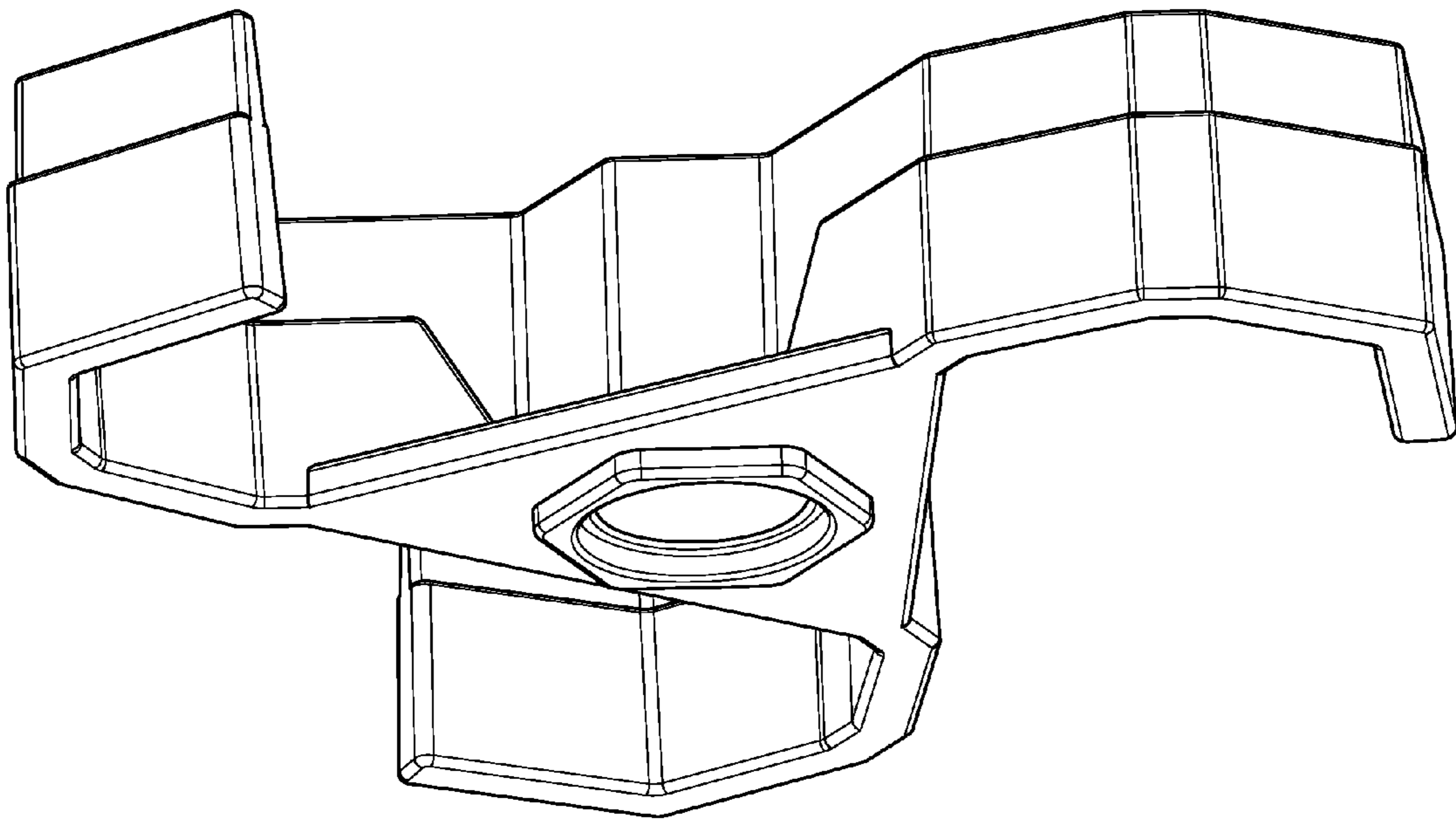


FIG. 2

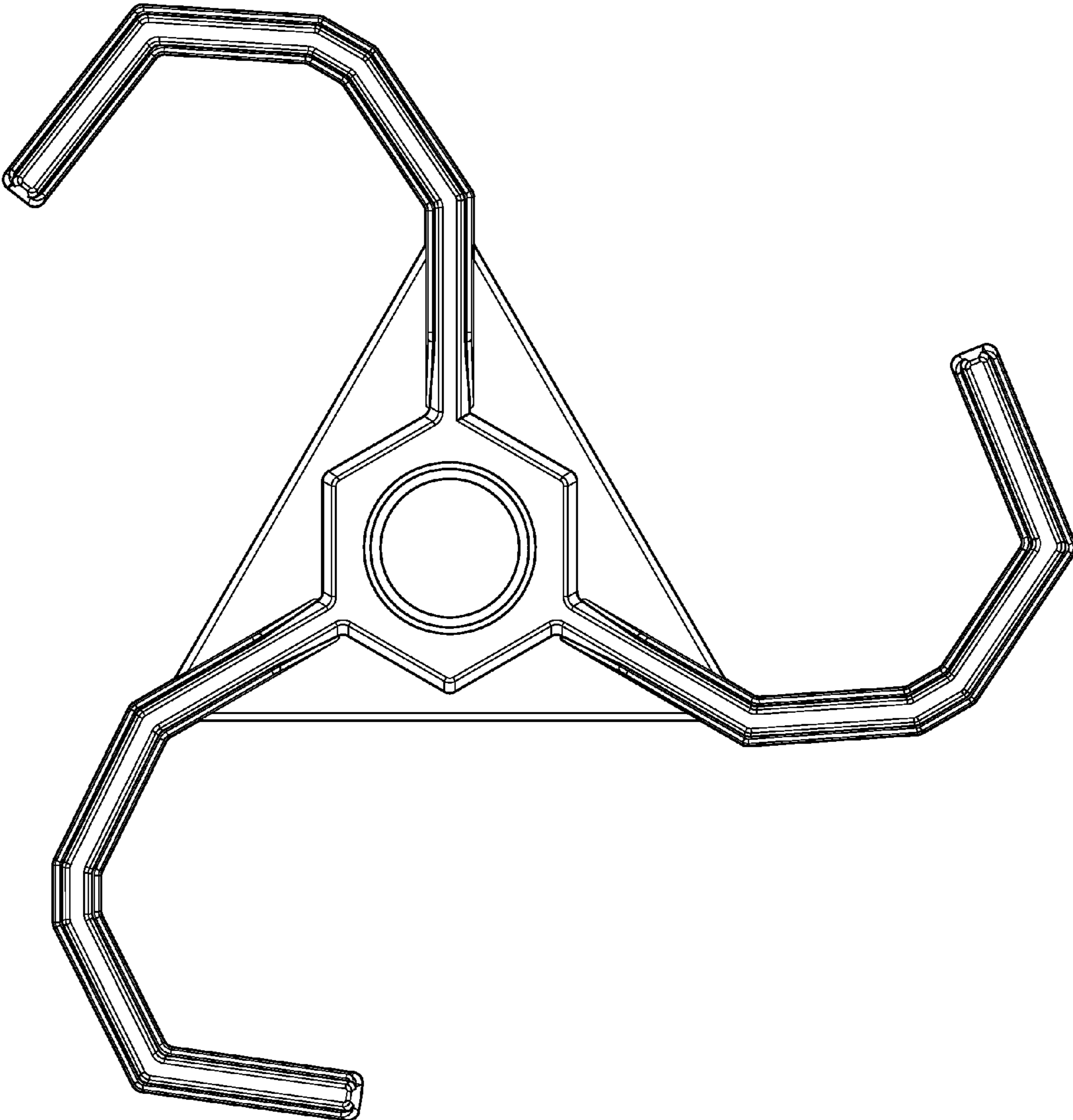


FIG. 3

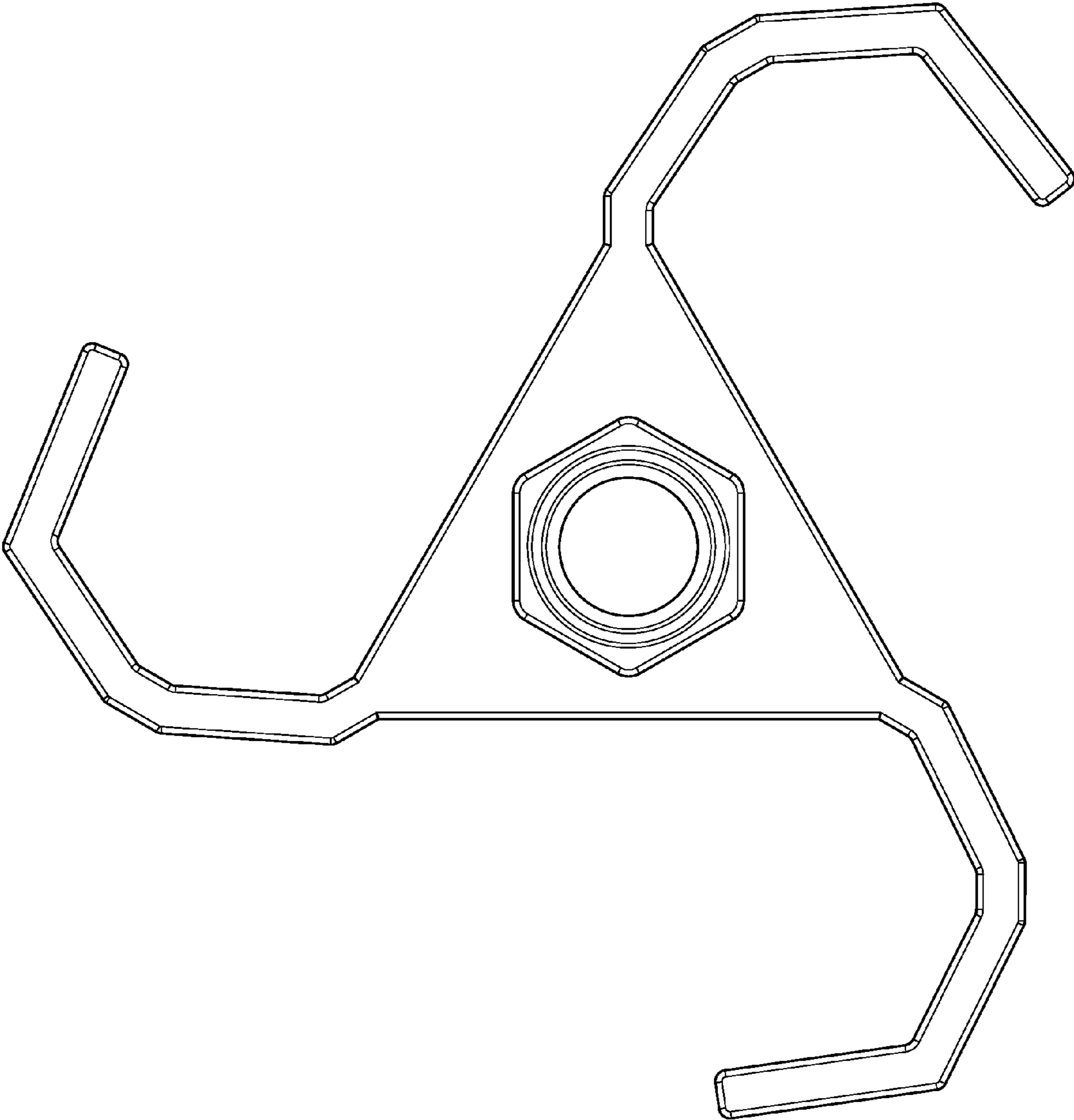


FIG. 4

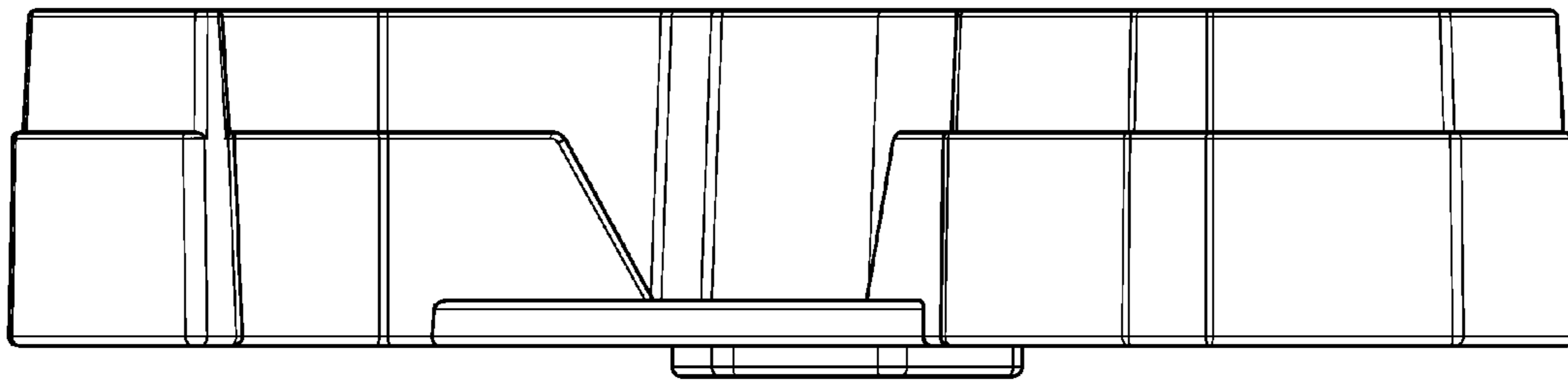


FIG. 5

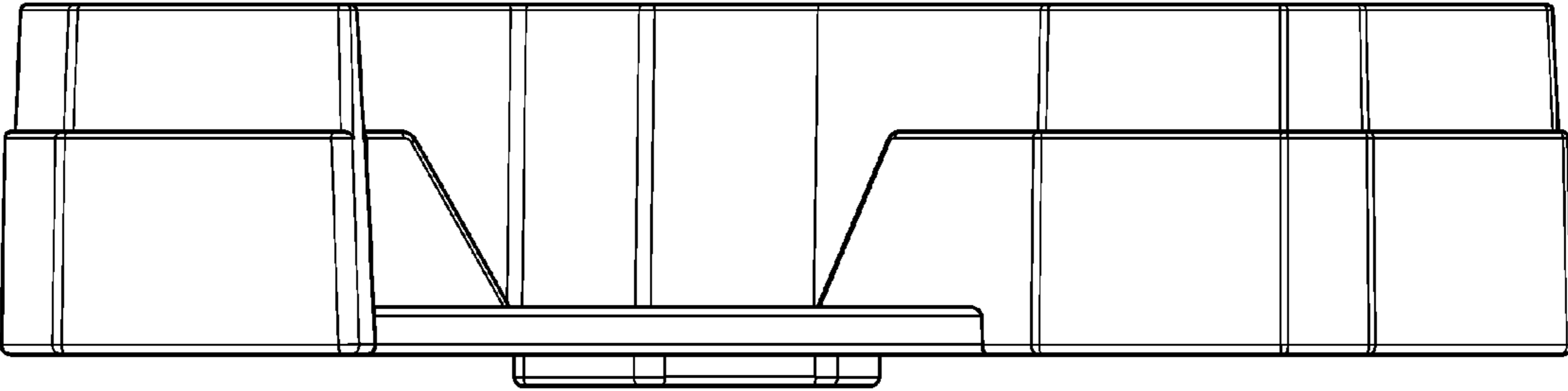


FIG. 6

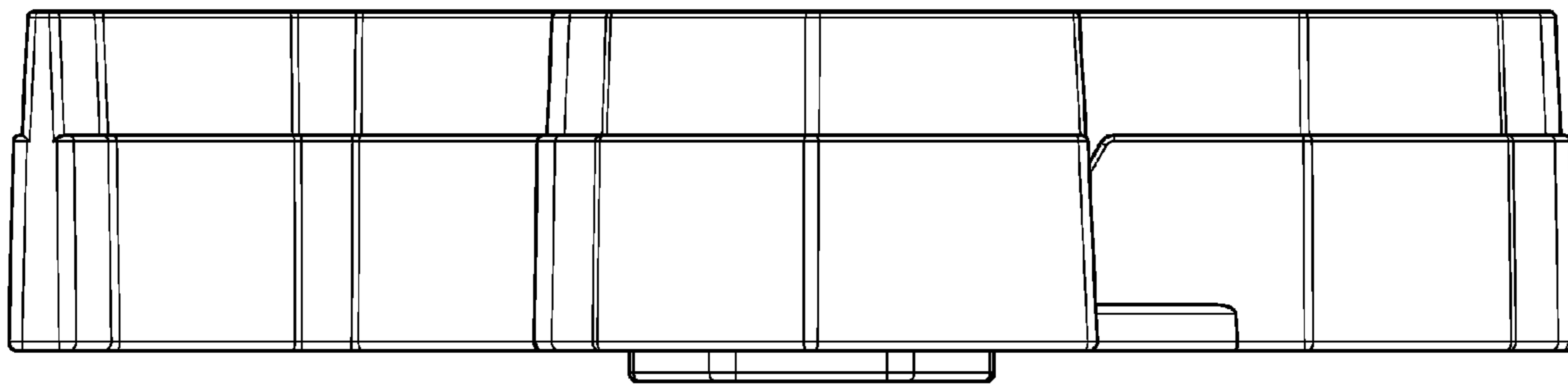


FIG. 7

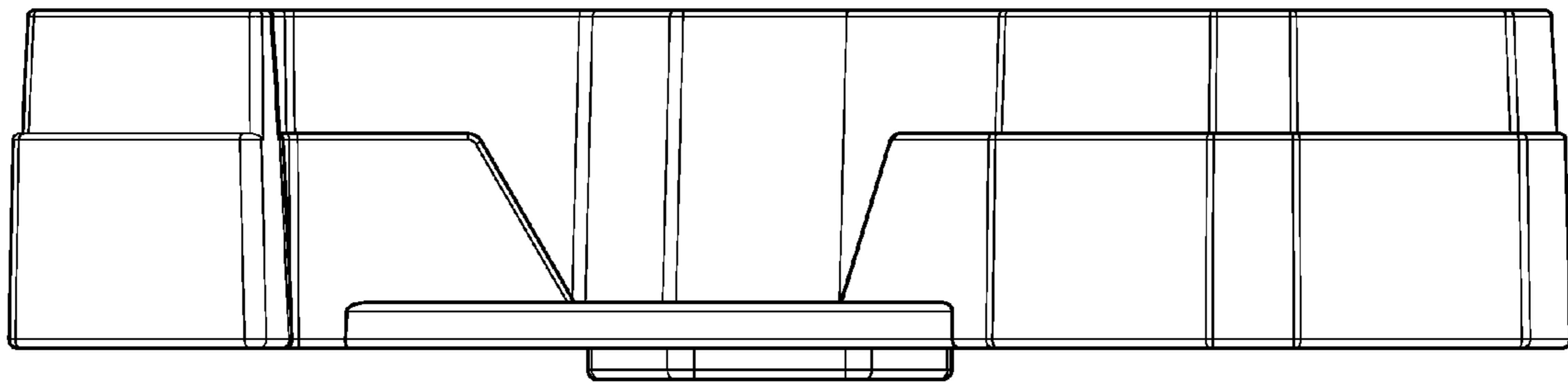


FIG. 8