



US00D697146S

(12) **United States Design Patent**  
**Richards et al.**

(10) **Patent No.:** **US D697,146 S**  
(45) **Date of Patent:** **\*\* Jan. 7, 2014**

(54) **PLAY CONSTRUCTION KIT**

**DESCRIPTION**

(75) Inventors: **Barry Richards**, Trenton, NJ (US);  
**Shunyi Wu**, Forest Hills, NY (US);  
**David Rockwell**, New York, NY (US)

(73) Assignee: **Rockwell Architecture, Planning & Design, P.C.**, New York, NY (US)

(\*\*) Term: **14 Years**

(21) Appl. No.: **29/418,866**

(22) Filed: **Apr. 23, 2012**

(51) **LOC (10) Cl.** ..... **21-01**

(52) **U.S. Cl.**  
USPC ..... **D21/484**

(58) **Field of Classification Search**  
USPC ..... D21/484-506, 811, 814, 826; 446/85,  
446/89, 107, 114, 221; 472/128, 136  
See application file for complete search history.

(56) **References Cited**

U.S. PATENT DOCUMENTS

3,681,870	A	8/1972	Alpert	
3,822,569	A	7/1974	Lautrup-Larsen	
3,987,579	A *	10/1976	Palenik, III	446/118
D257,270	S	10/1980	Gabriel	
4,758,195	A	7/1988	Walsh	
D315,183	S *	3/1991	Meyer	D21/501
5,112,263	A *	5/1992	Penillard et al.	446/89
5,916,006	A	6/1999	Ganson	
6,340,323	B1 *	1/2002	Glynn	446/89
6,554,677	B2 *	4/2003	Leemon	446/122
7,104,864	B1 *	9/2006	Liou	446/221
7,364,487	B2 *	4/2008	Evans et al.	446/108
7,374,468	B2 *	5/2008	Flodin et al.	446/85
D594,512	S	6/2009	Richards et al.	

(Continued)

*Primary Examiner* — Cynthia M Chin

(74) *Attorney, Agent, or Firm* — Keith D. Nowak; Libby Babu Varghese; Carter Ledyard & Milburn, LLP.

(57) **CLAIM**

The ornamental design for a play construction kit, as shown and described.

FIG. 1 is a front, left, top perspective view of a first part of the kit for play construction assembly of the present invention; FIG. 2 is the front elevational view of FIG. 1, the rear elevational view being a mirror image thereof; FIG. 3 is the left elevational view of FIG. 1; FIG. 4 is the right elevational view of FIG. 1; FIG. 5 is the top plan view of FIG. 1; FIG. 6 is the bottom plan view of FIG. 1; FIG. 7 is a front, left, top perspective view of a second part of the kit for play construction assembly of the present invention; FIG. 8 is the front elevational view of FIG. 7, the rear elevational view being a mirror image thereof; FIG. 9 is the right elevational view of FIG. 7; FIG. 10 is the left elevational view of FIG. 7; FIG. 11 is the top plan view of FIG. 7; FIG. 12 is the bottom plan view of FIG. 7; FIG. 13 is a front, left, top perspective view of a third part of the kit for play construction assembly of the present invention; FIG. 14 is the front elevational view of FIG. 13, the rear elevational view being a mirror image thereof; FIG. 15 is the right elevational view of FIG. 13; FIG. 16 is the left elevational view of FIG. 13; FIG. 17 is the top plan view of FIG. 13; FIG. 18 is the bottom plan view of FIG. 13; FIG. 19 is a front, left, top perspective view of a fourth part of the kit for play construction assembly of the present invention; FIG. 20 is the front elevational view of FIG. 19, the rear elevational view being a mirror image thereof; FIG. 21 is the right elevational view of FIG. 19; FIG. 22 is the left elevational view of FIG. 19; FIG. 23 is the top plan view of FIG. 19; FIG. 24 is the bottom plan view of FIG. 19; FIG. 25 is a front, left perspective view of a fifth part of the kit for play construction assembly of the present invention; FIG. 26 is the front elevational view of FIG. 25, the rear elevational view being a mirror image thereof; FIG. 27 is the right elevational view of FIG. 25, the left elevational view being a mirror image thereof; FIG. 28 is the top plan view of FIG. 25;

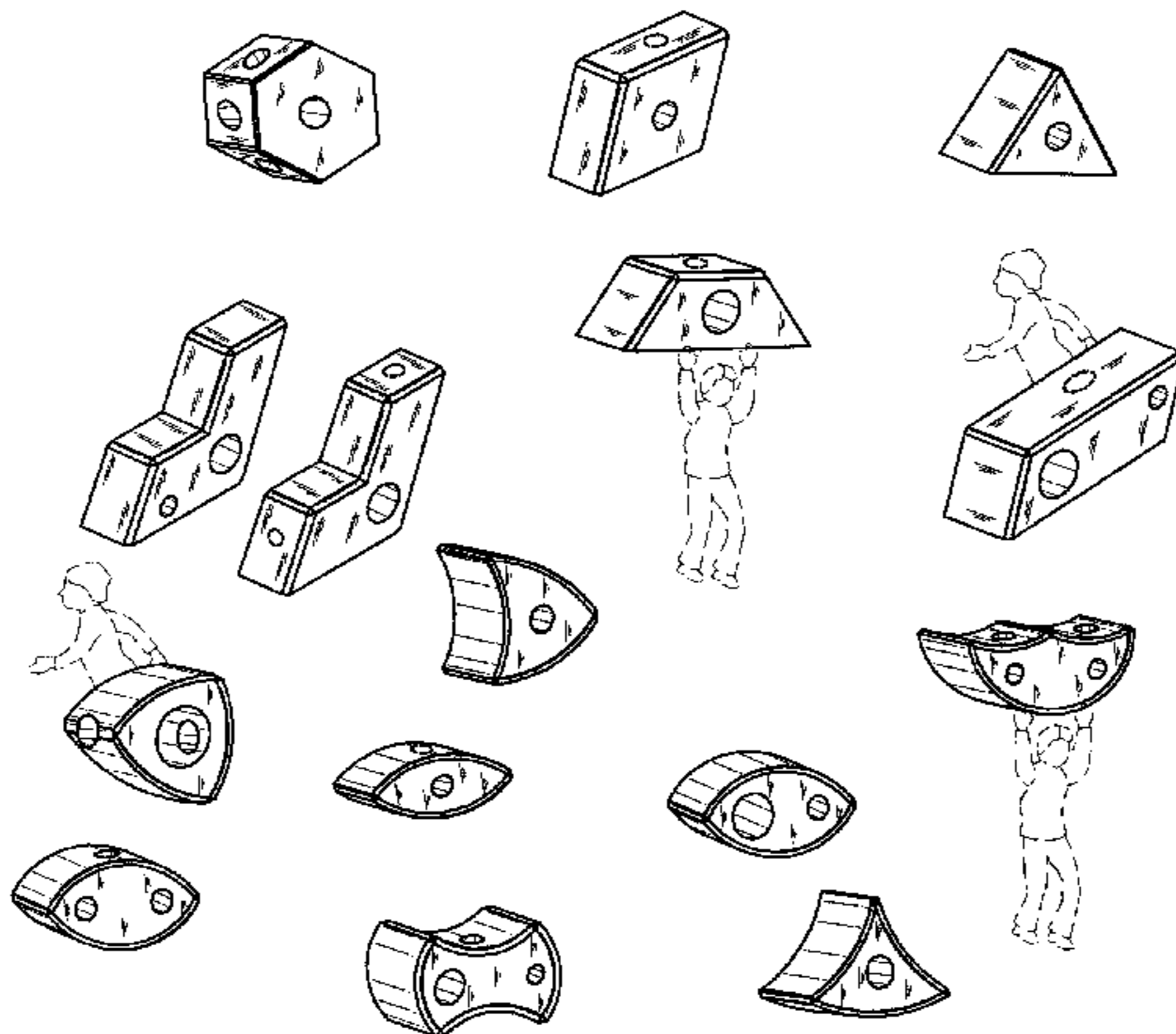


FIG. 29 is a front, left, top perspective view of a sixth part of the kit for play construction assembly of the present invention;

FIG. 30 is the front elevational view of FIG. 29, the rear elevational view being a mirror image thereof;

FIG. 31 is the right side elevational view of FIG. 29, the left side elevational view being a mirror image thereof;

FIG. 32 is the bottom plan view of FIG. 29;

FIG. 33 is the top plan view of FIG. 29;

FIG. 34 is a front, left, top perspective view of a seventh part of the kit for play construction assembly of the present invention;

FIG. 35 is the front elevational view of FIG. 34, the rear elevational view being a mirror image thereof;

FIG. 36 is the right side elevational view of FIG. 34, the left side elevational view being a mirror image thereof;

FIG. 37 is the top plan view of FIG. 34;

FIG. 38 is the bottom plan view of FIG. 34;

FIG. 39 is a front, left, top perspective view of an eighth part of the kit for play construction assembly of the present invention;

FIG. 40 is the front elevational view of FIG. 39, the rear elevational view being a mirror image thereof;

FIG. 41 is the side elevational view of FIG. 39;

FIG. 42 is the bottom plan view of FIG. 39, the top plan view being a mirror image thereof;

FIG. 43 is a front, left, top perspective view of a ninth part of the kit for play construction assembly of the present invention;

FIG. 44 is the top plan view of FIG. 43, the bottom plan view being a mirror image thereof;

FIG. 45 is the front elevational view of FIG. 43, the rear elevational view being a mirror image thereof;

FIG. 46 is the right side elevational view of FIG. 43, the left side elevational view being a mirror image thereof;

FIG. 47 is a front, left, top perspective view of an tenth part of the kit for play construction assembly of the present invention;

FIG. 48 is the front elevational view of FIG. 47, the rear elevational view being a mirror image thereof;

FIG. 49 is the right side elevational view of FIG. 47, the left side elevational view being a mirror image thereof;

FIG. 50 is the top plan view of FIG. 47, the bottom plan view being a mirror image thereof;

FIG. 51 is a front, left, top perspective view of an eleventh part of the kit for play construction assembly of the present invention;

FIG. 52 is the front elevational view of FIG. 51, the rear elevational view being a mirror image thereof;

FIG. 53 is the right side elevational view of FIG. 51, the left side elevational view being a mirror image thereof;

FIG. 54 is the top plan view of FIG. 51, the bottom plan view being a mirror image thereof;

FIG. 55 is a front, left, top, bottom perspective view of a twelfth part of the kit for play construction assembly of the present invention;

FIG. 56 is the front elevational view of FIG. 55, the rear elevational view being a mirror image thereof;

FIG. 57 is the top plan view of FIG. 55, the bottom plan view being a mirror image thereof;

FIG. 58 is the left side elevational view of FIG. 55;

FIG. 59 is the right side elevational view of FIG. 55;

FIG. 60 is a front, left perspective view of an thirteenth part of the kit for play construction assembly of the present invention;

FIG. 61 is the front elevational view of FIG. 60, the rear elevational view being a mirror image thereof;

FIG. 62 is the top plan view of FIG. 60, the bottom plan view being a mirror image thereof;

FIG. 63 is the left side elevational view of FIG. 60;

FIG. 64 is the right side elevational view of FIG. 60;

FIG. 65 is a front, left perspective view of an fourteenth part of the kit for play construction assembly of the present invention;

FIG. 66 is the front elevational view of FIG. 65, the rear elevational view being a mirror image thereof;

FIG. 67 is the left side elevational view of FIG. 65, the right side elevational view being a mirror image thereof;

FIG. 68 is the top plan view of FIG. 65

FIG. 69 is the bottom plan view of FIG. 65;

FIG. 70 is a front, left, top perspective view of a fifteenth part of the kit for play construction assembly of the present invention;

FIG. 71 is the front elevational view of FIG. 70, the rear elevational view being a mirror image thereof;

FIG. 72 is the left side elevational view of FIG. 70, the right side elevational view being a mirror image thereof;

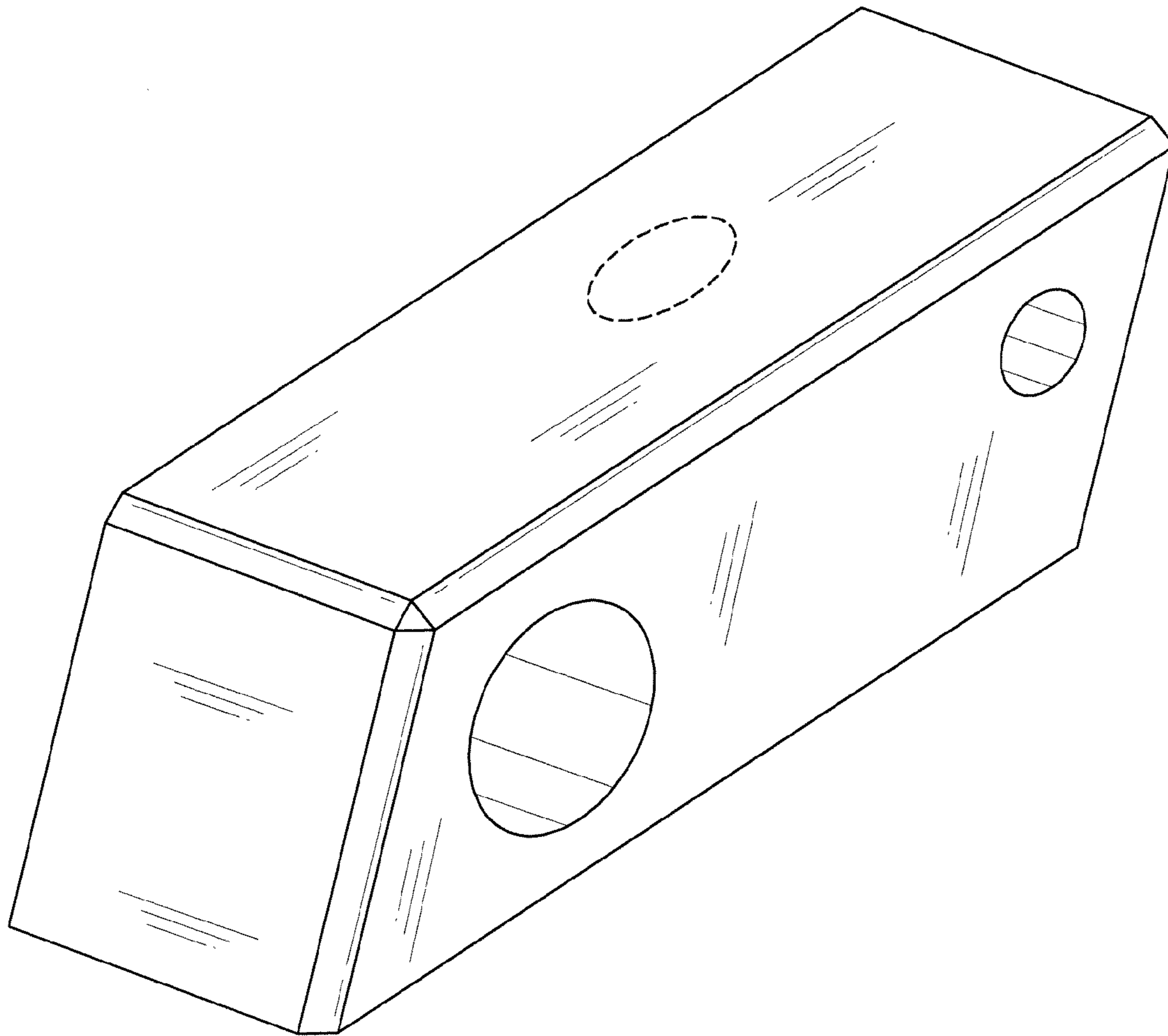
FIG. 73 is the top plan view of FIG. 70;

FIG. 74 is the bottom plan view of FIG. 70; and,

FIG. 75 is a perspective view of the entire assembly including all fifteen parts of the present invention. The broken lines in FIG. 75 represent the environment in which the articles reside and form no part of the claimed design.

Portions of the articles shown in broken lines form no part of the claimed design.

### 1 Claim, 41 Drawing Sheets



*FIG. 1*

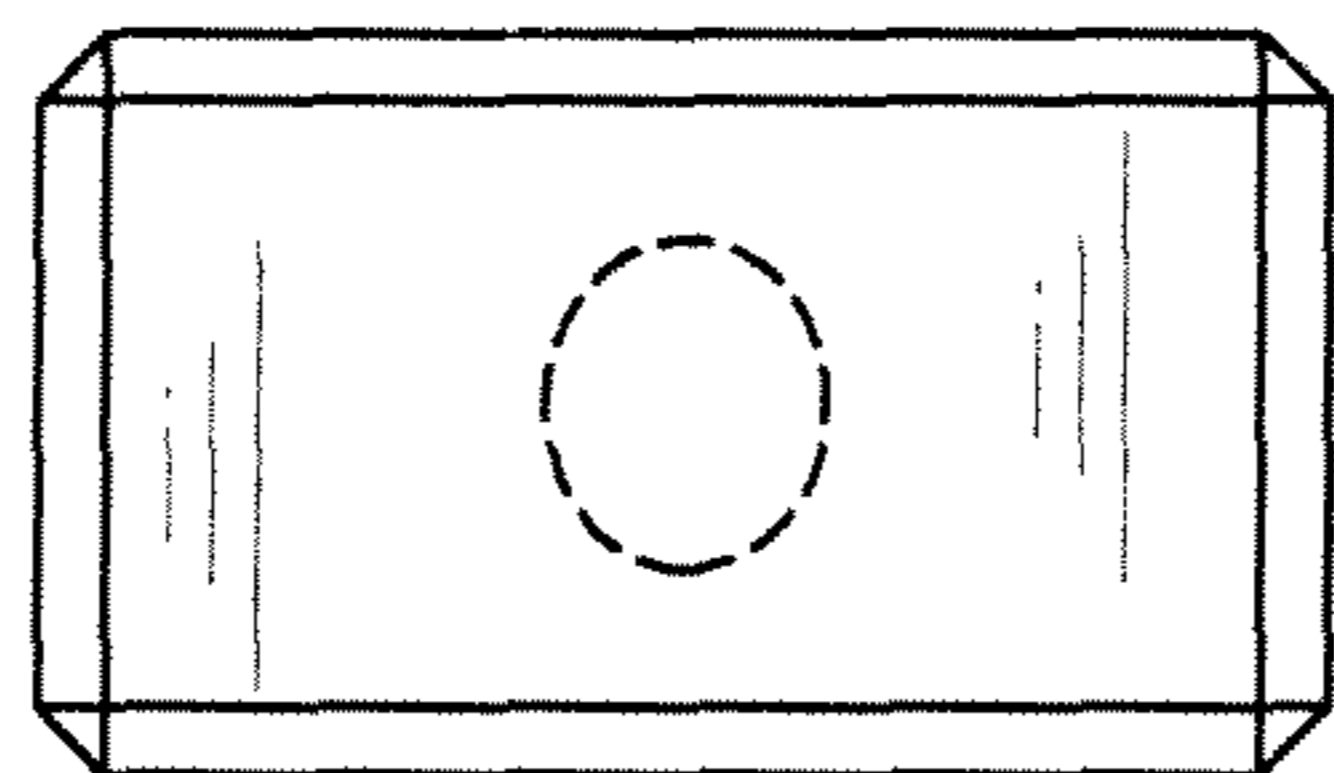


FIG. 4

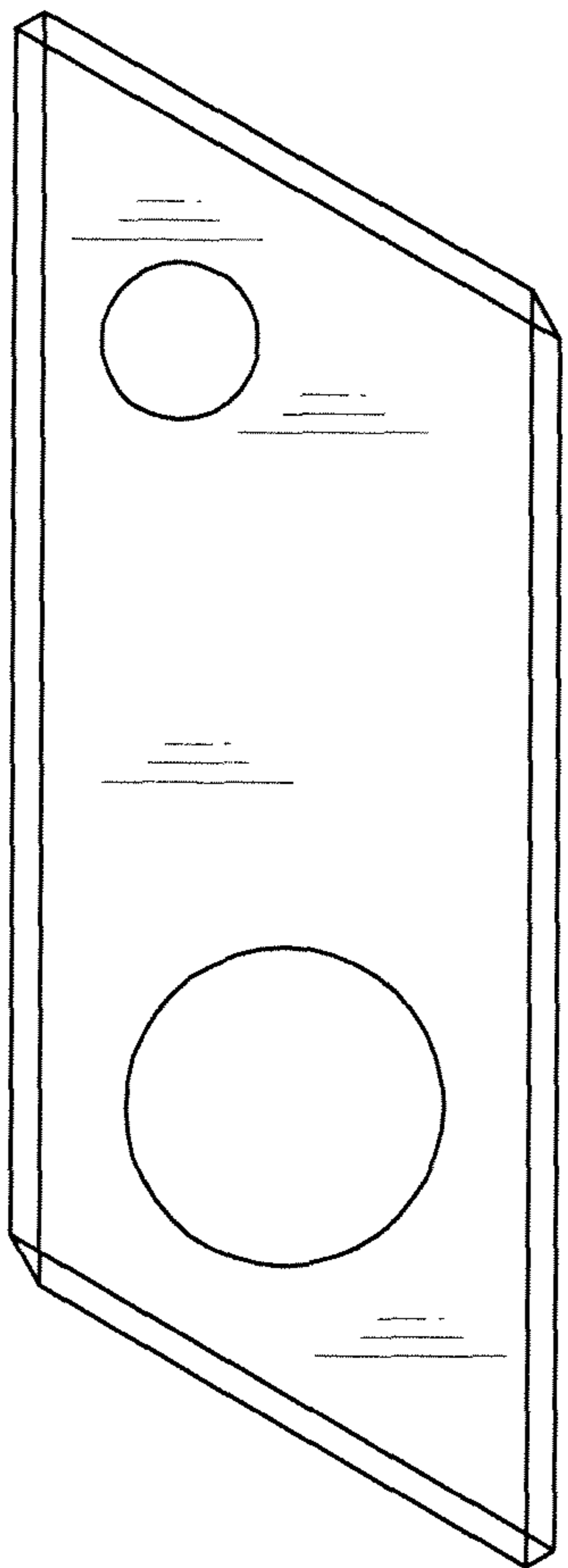


FIG. 2

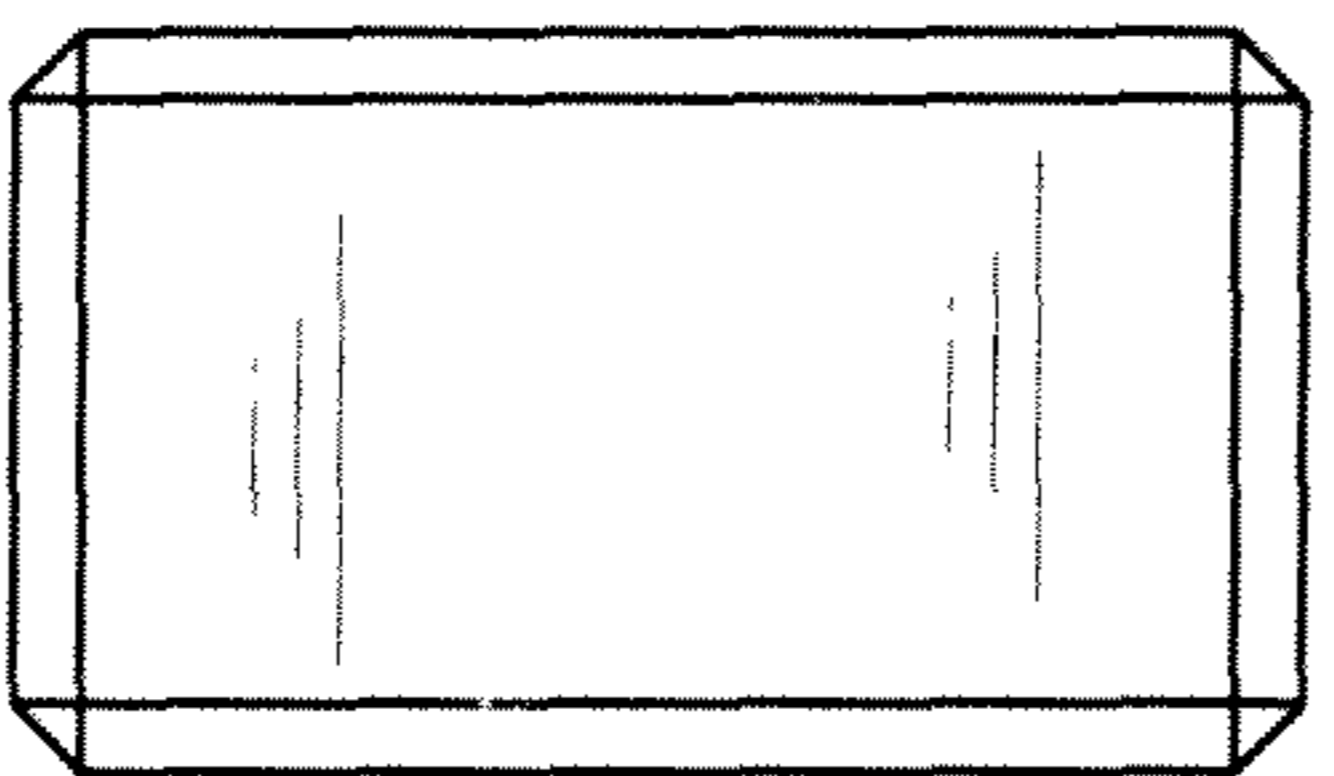
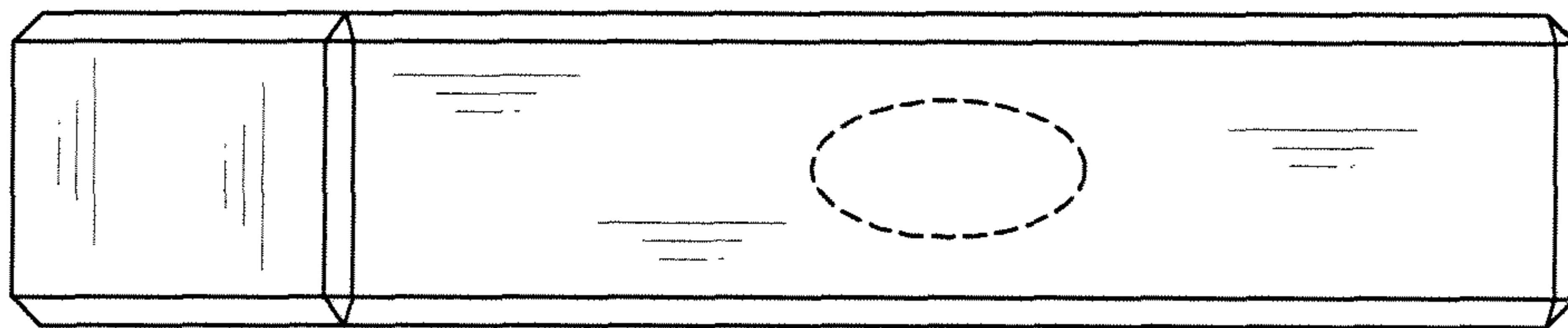
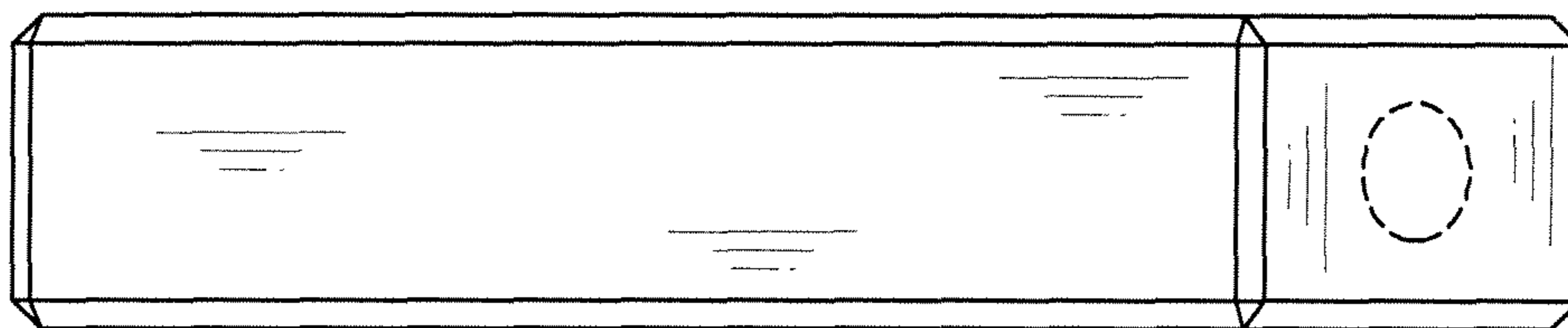


FIG. 3



*FIG. 5*



*FIG. 6*

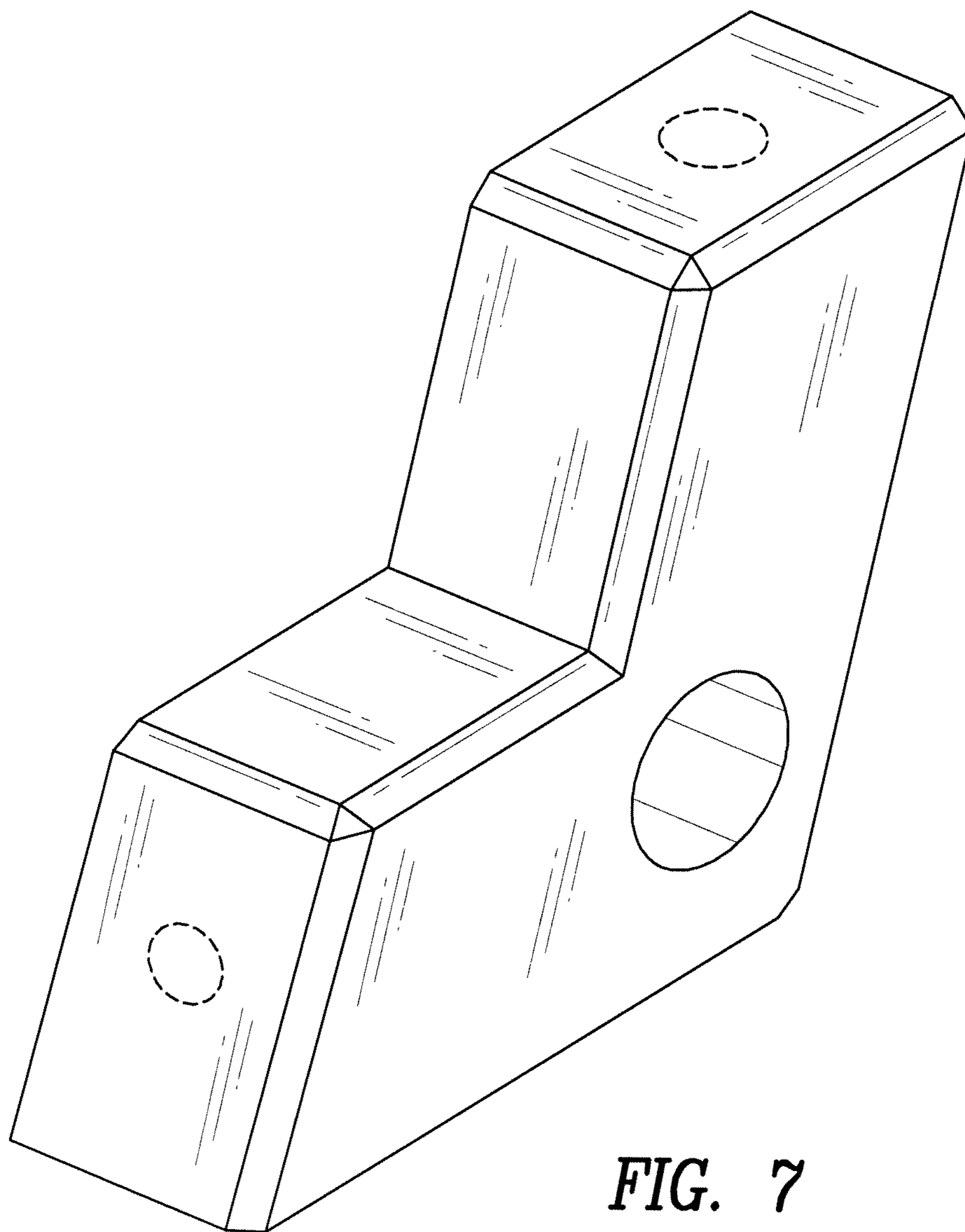


FIG. 7

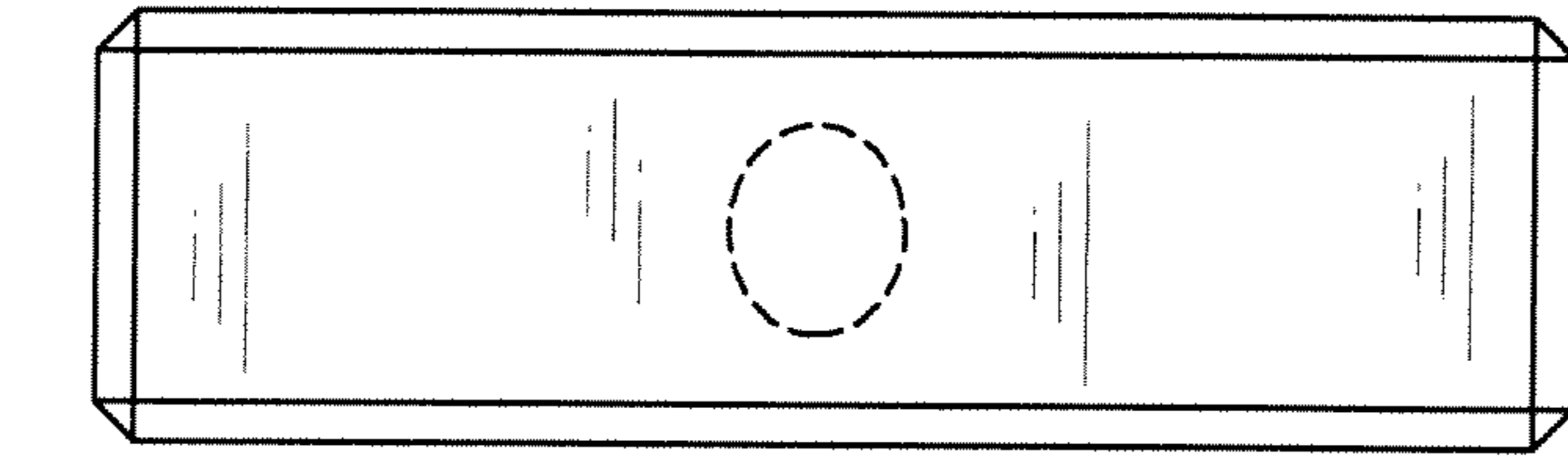


FIG. 9

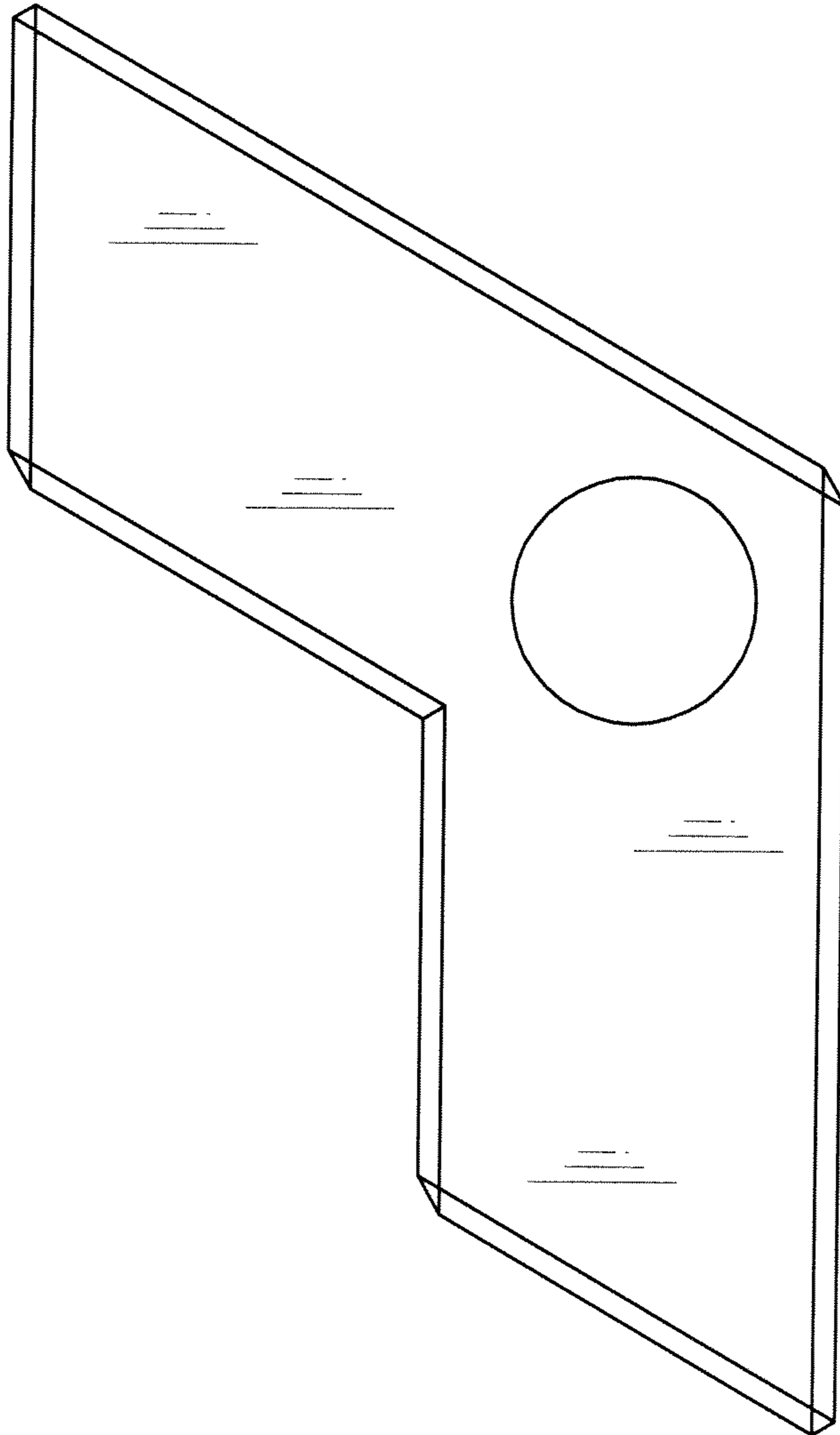


FIG. 8

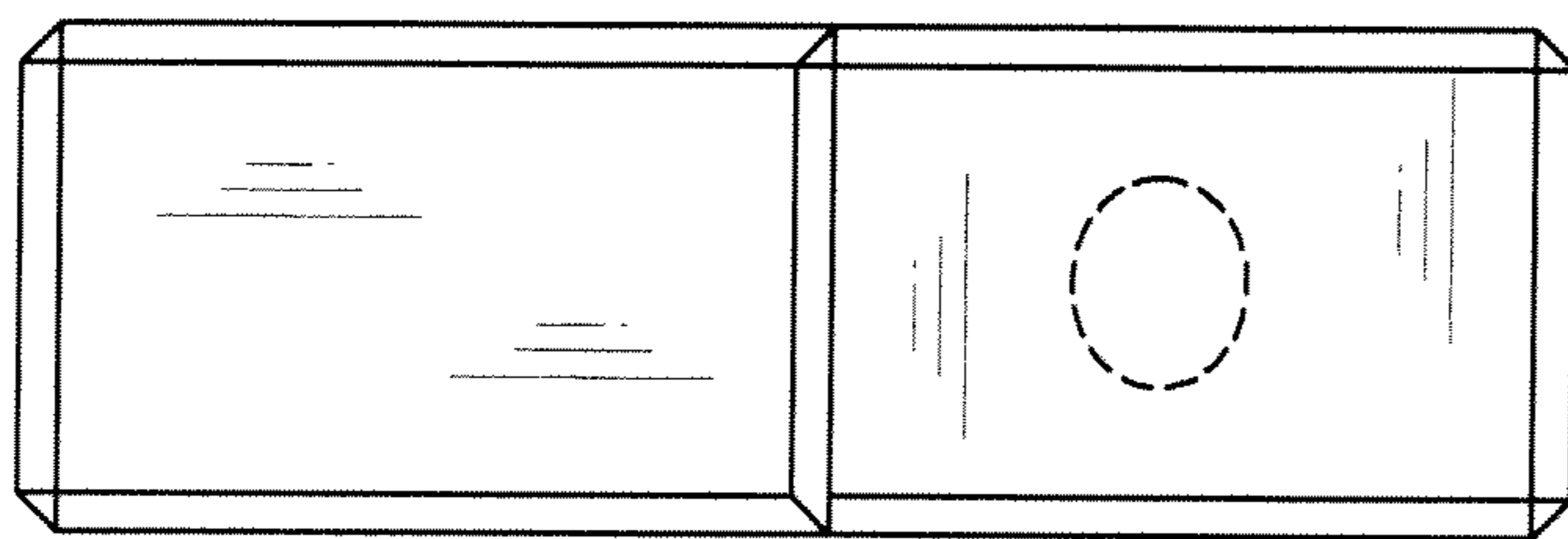
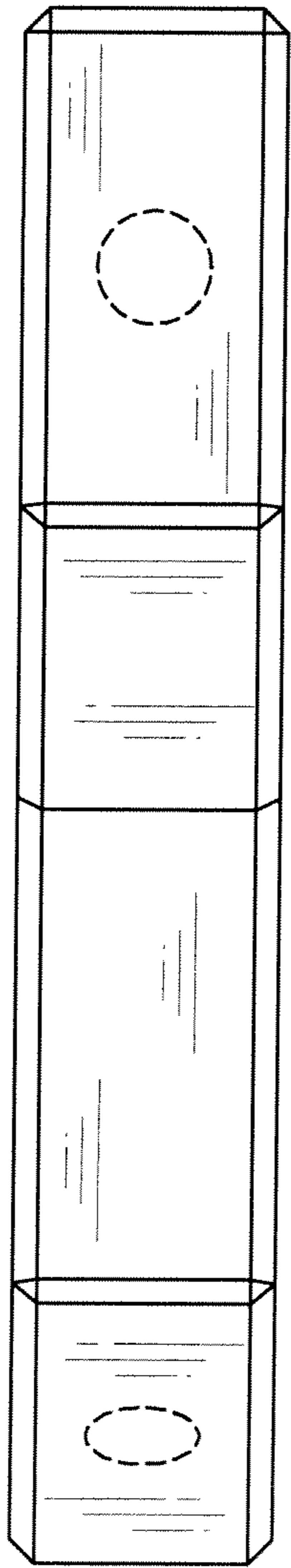
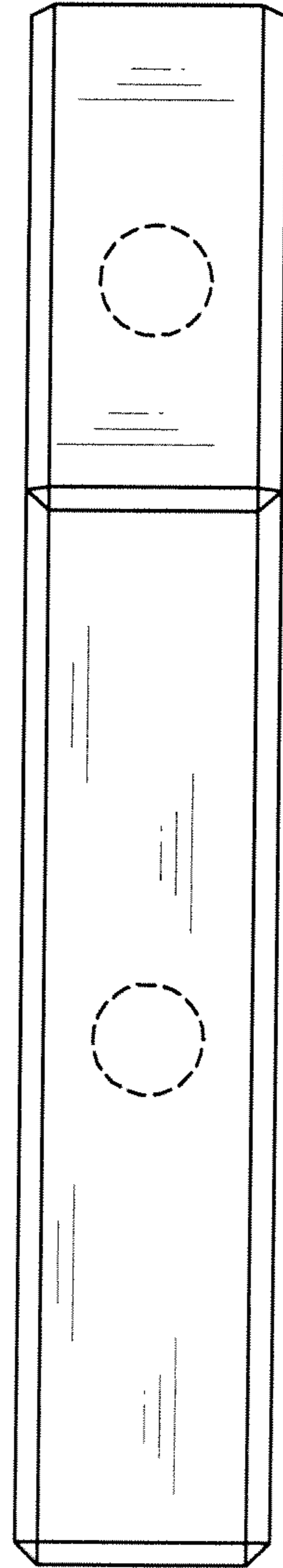


FIG. 10

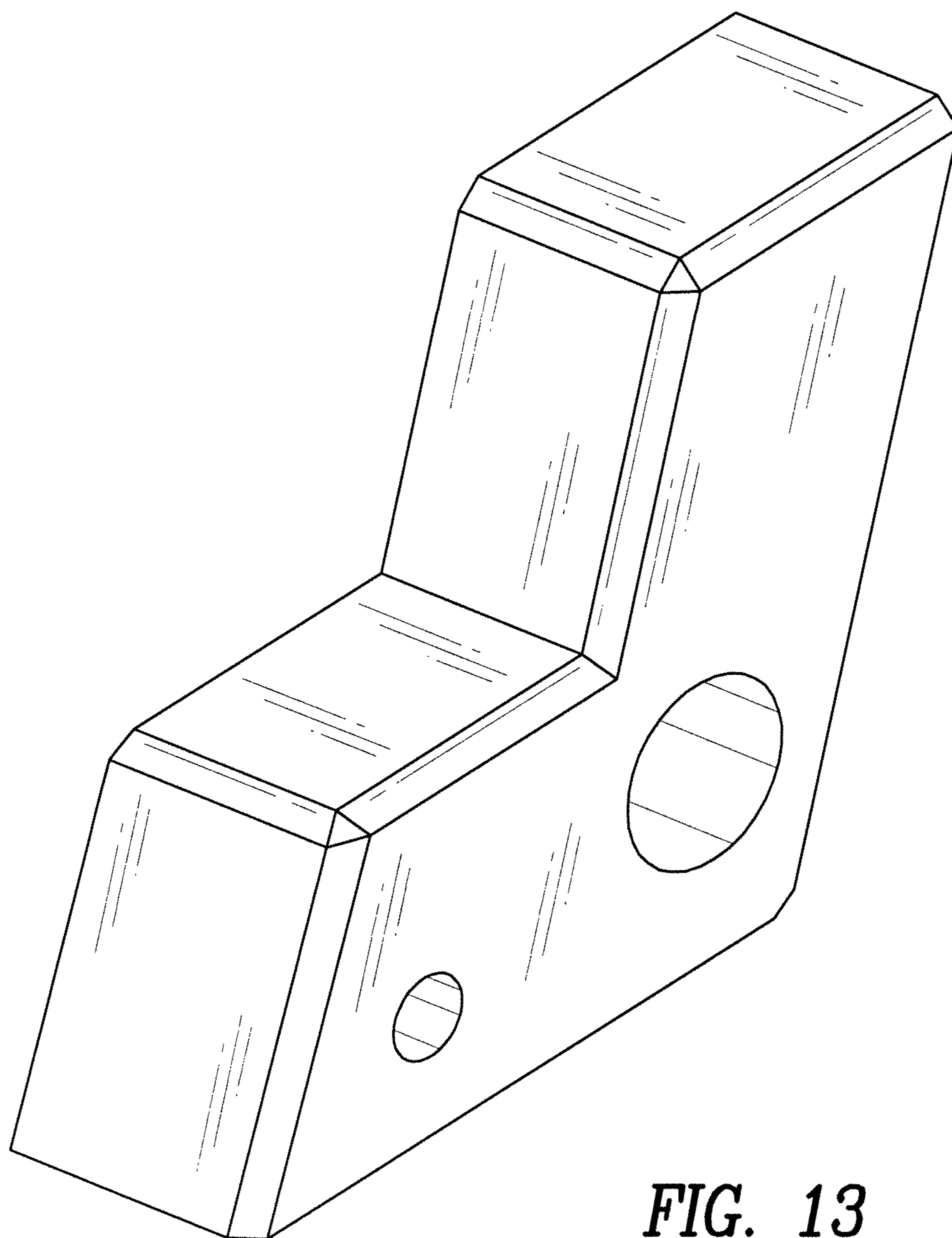


*FIG. 11*

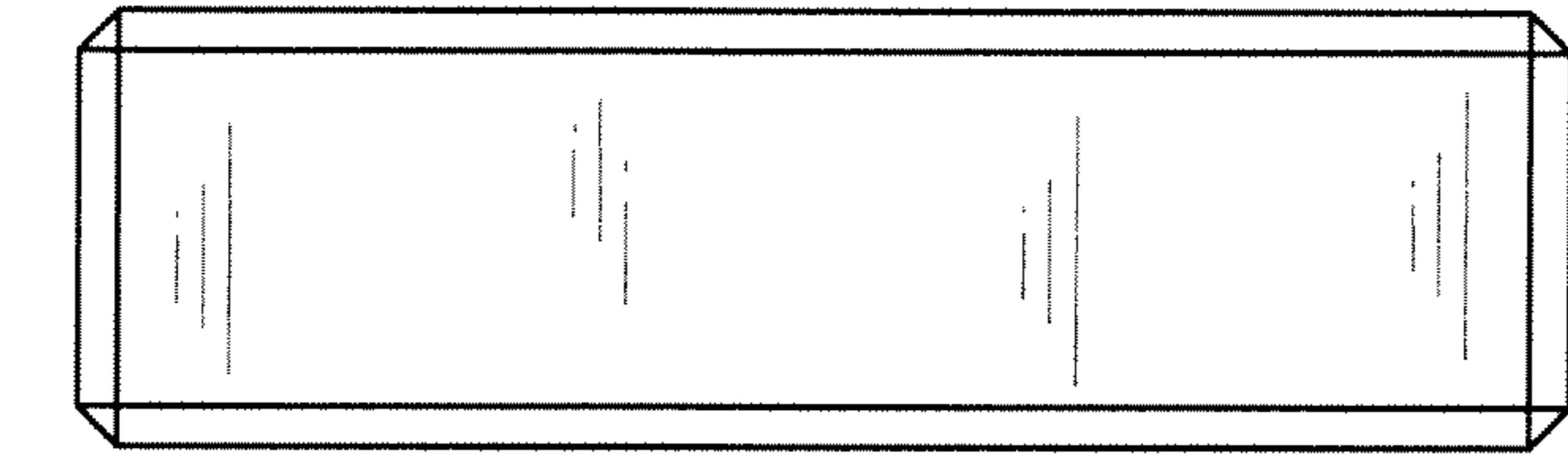


*FIG. 12*

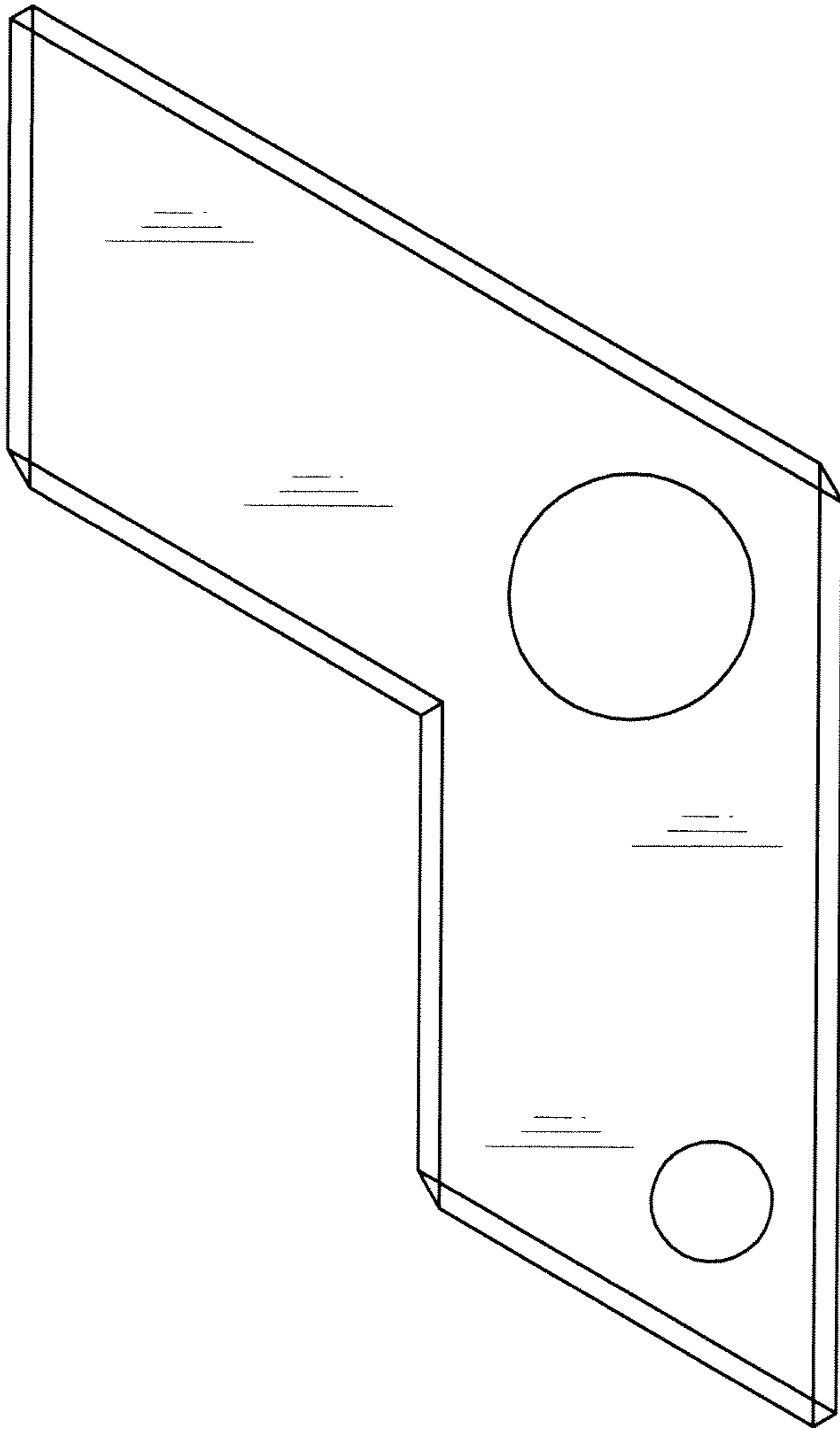




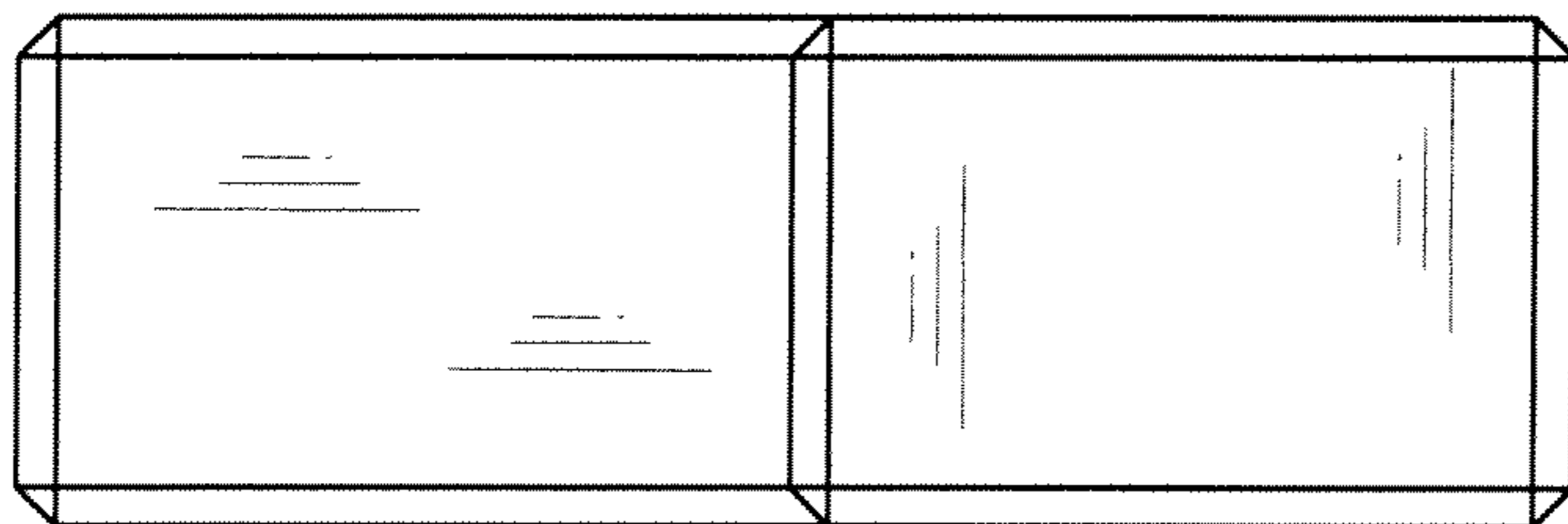
**FIG. 13**



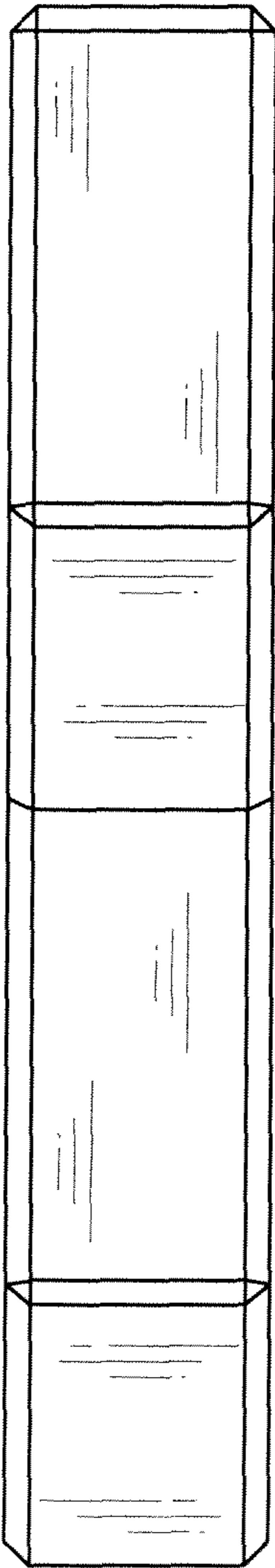
**FIG. 15**



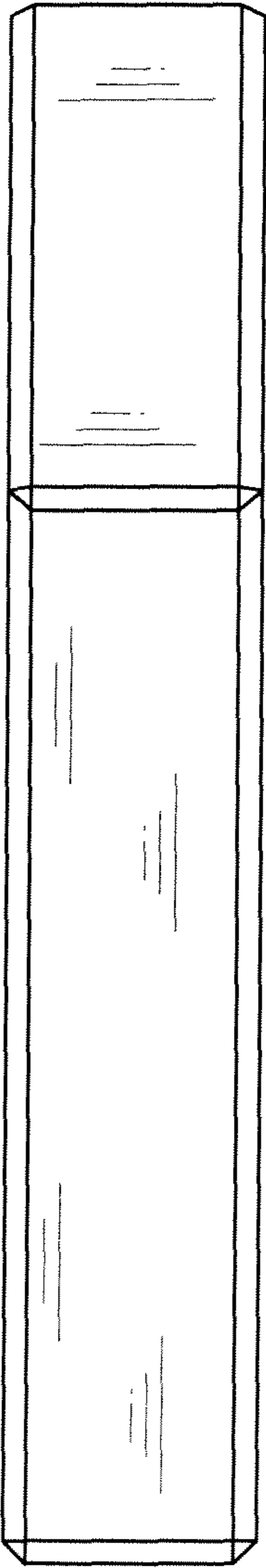
**FIG. 14**



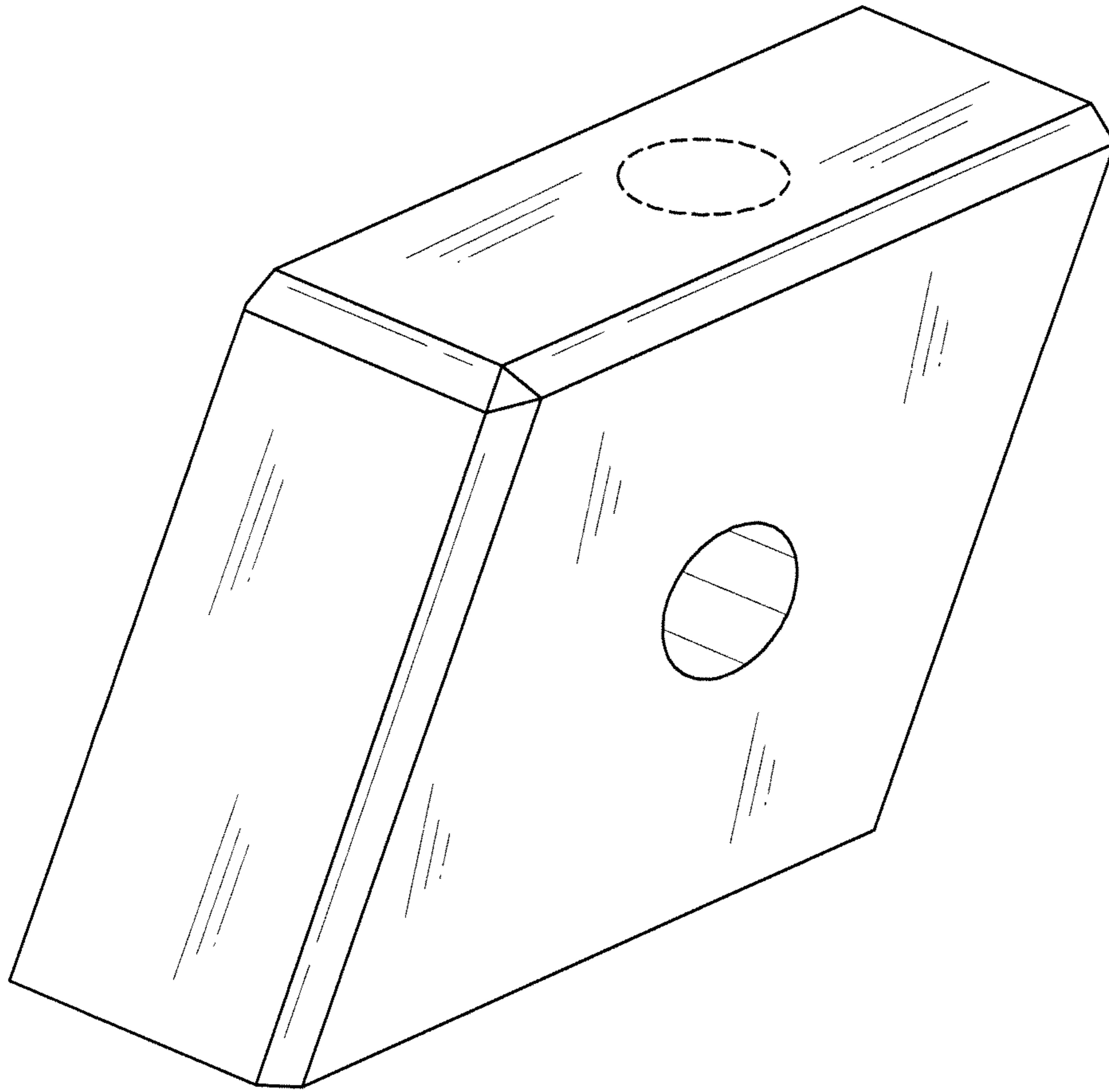
**FIG. 16**



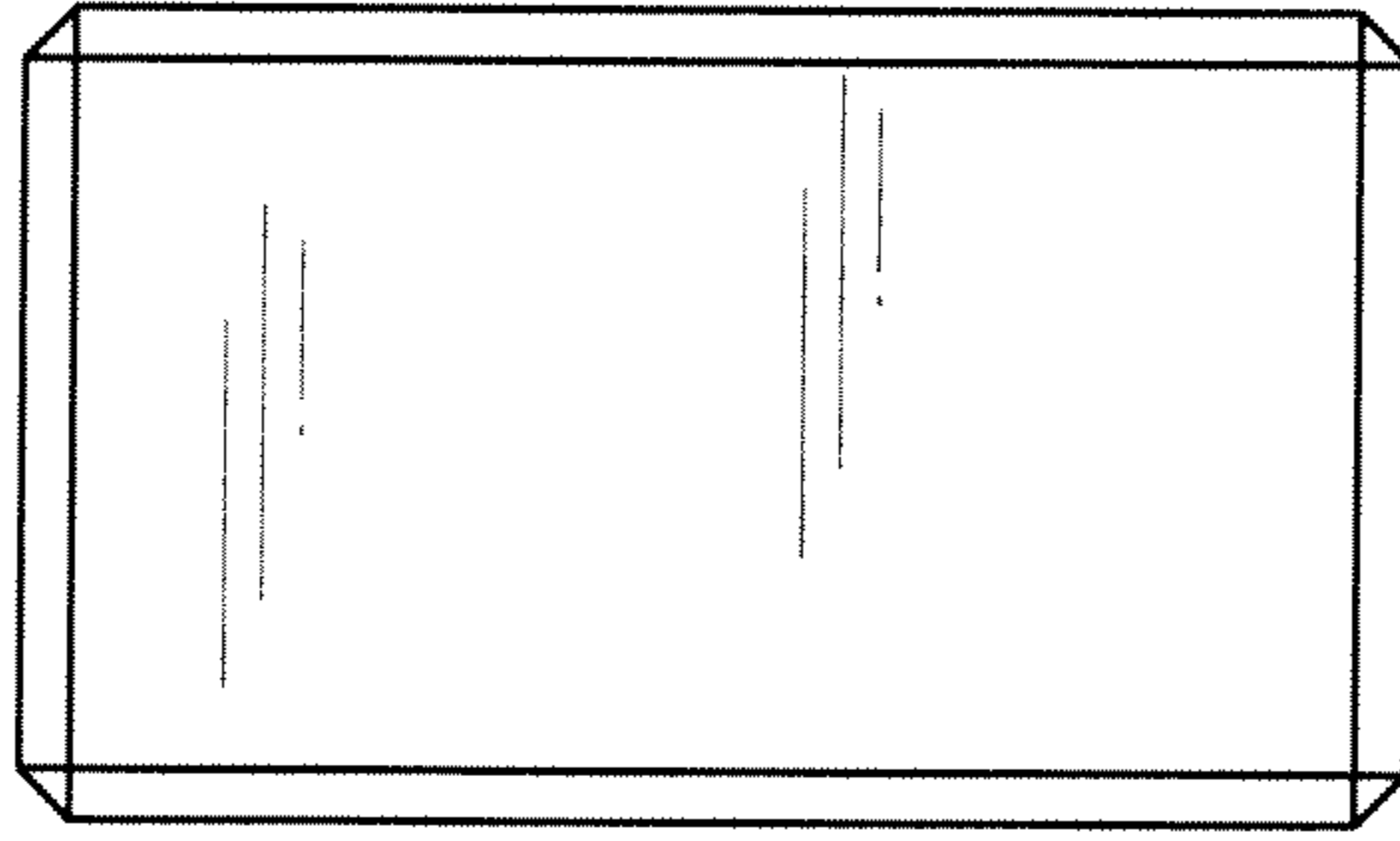
*FIG. 17*



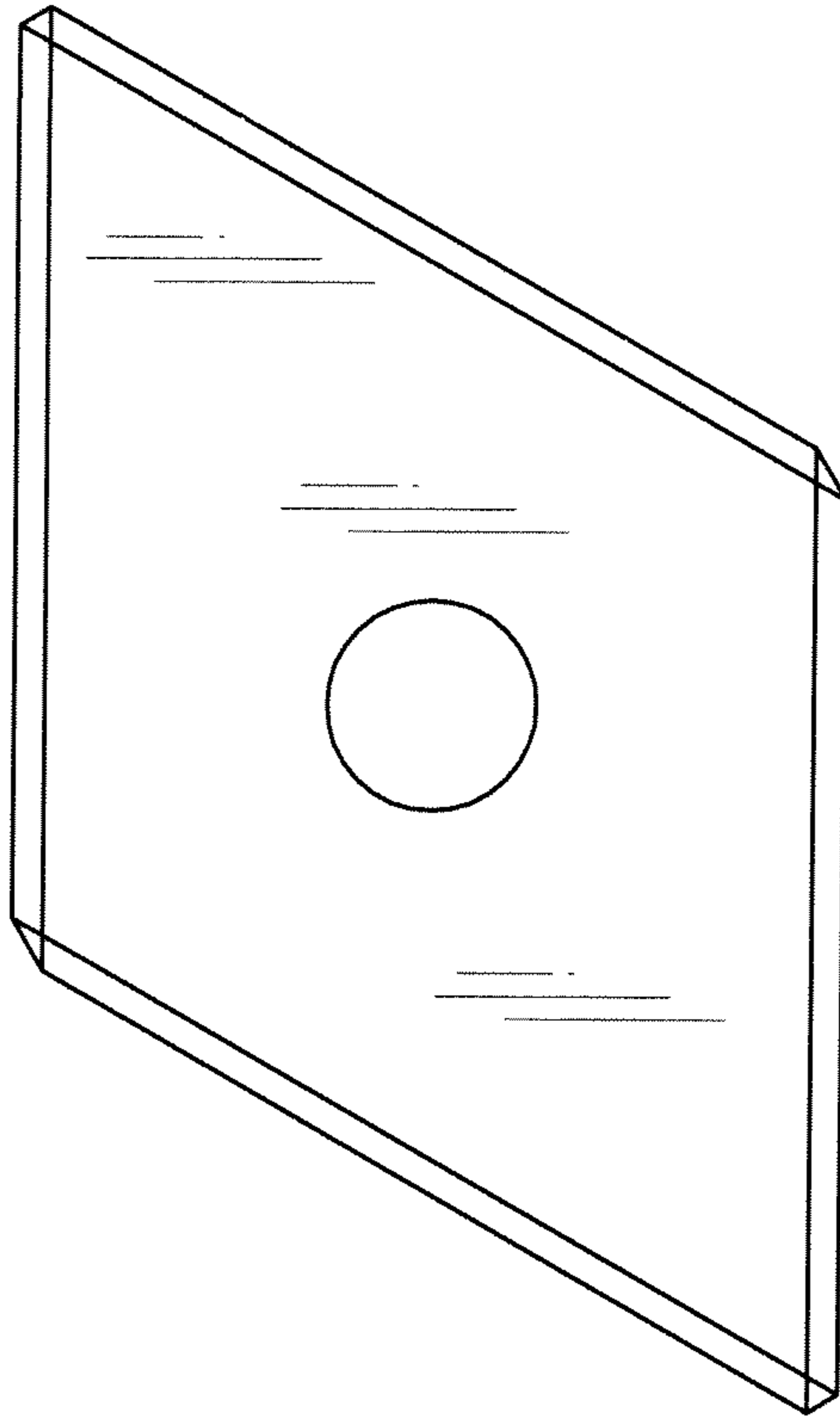
*FIG. 18*



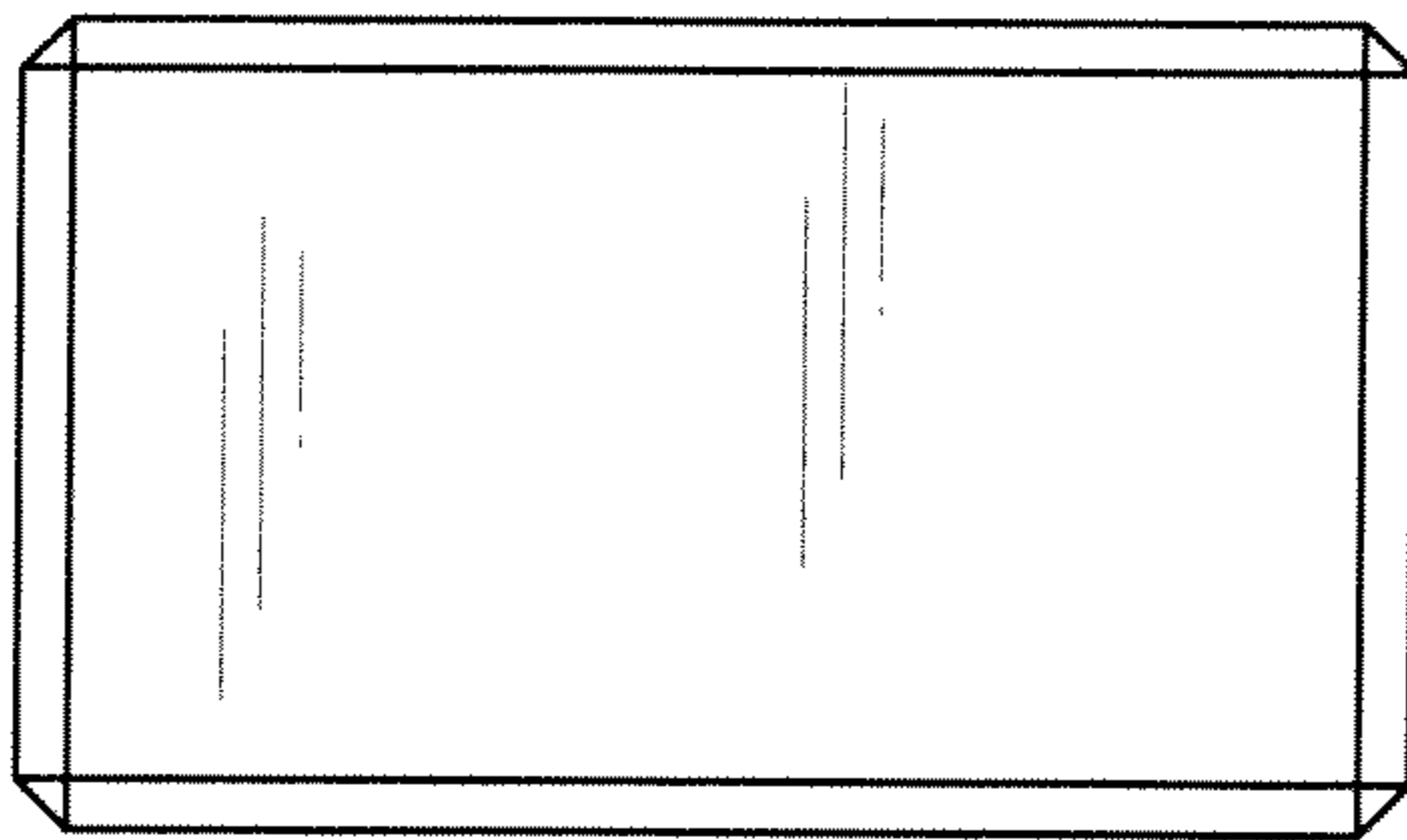
**FIG. 19**



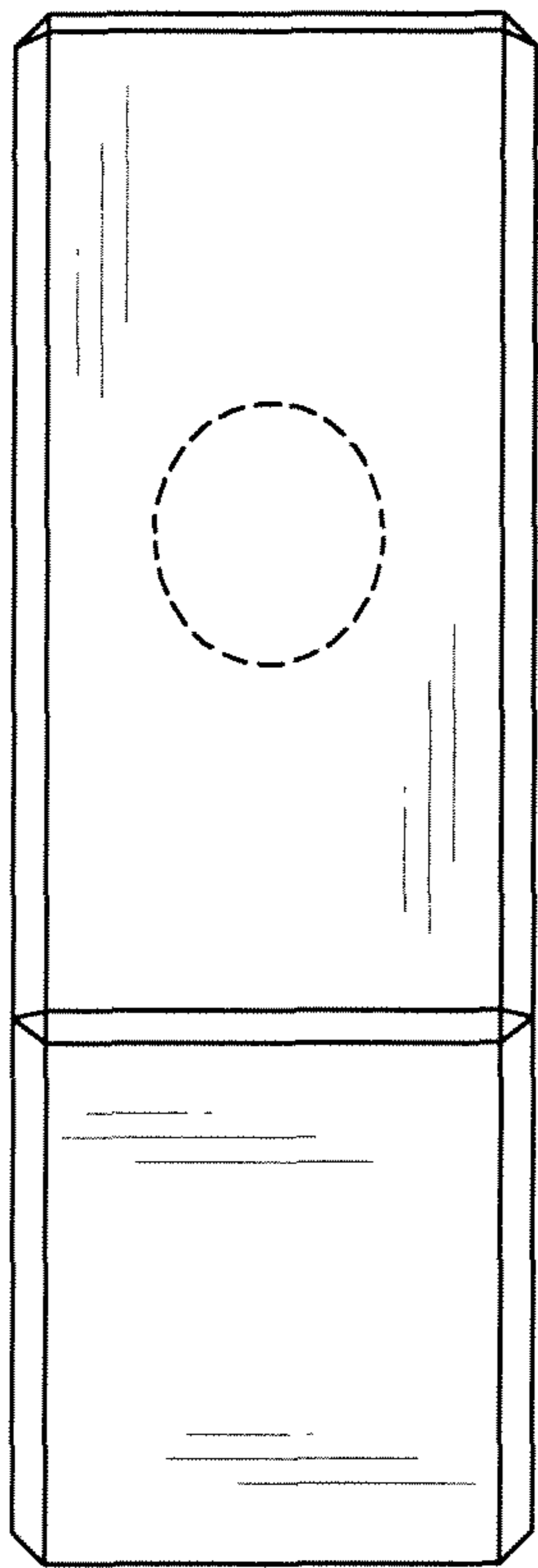
*FIG. 21*



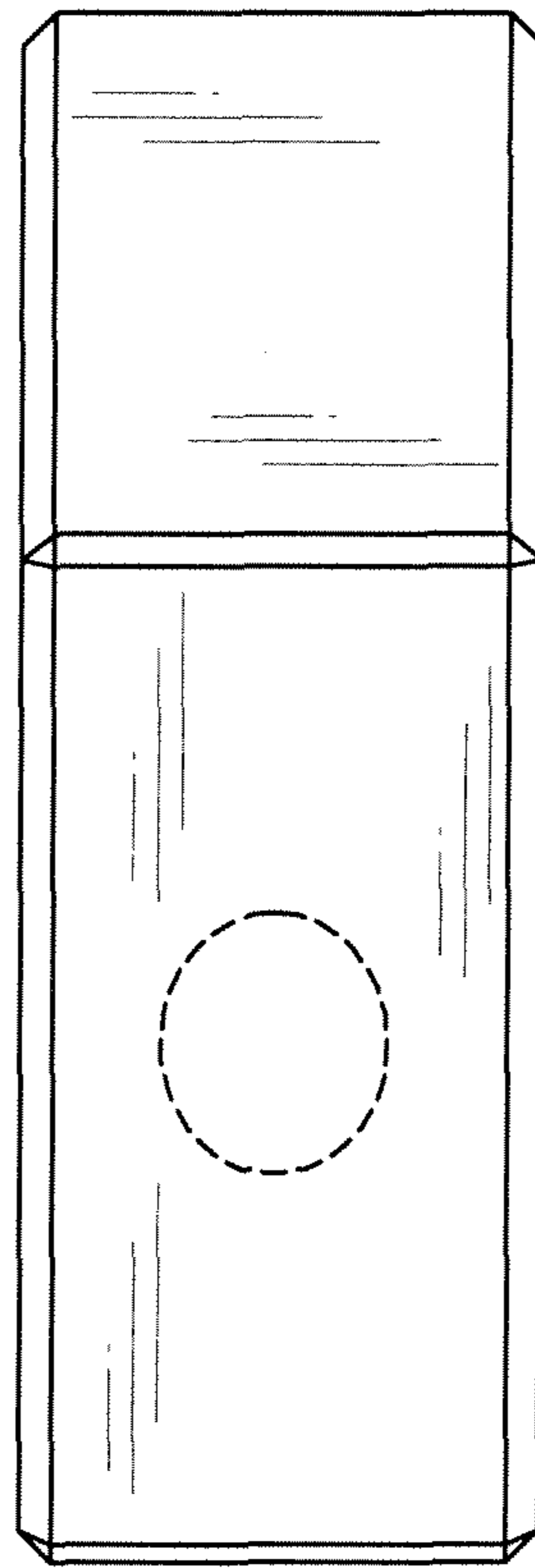
*FIG. 20*



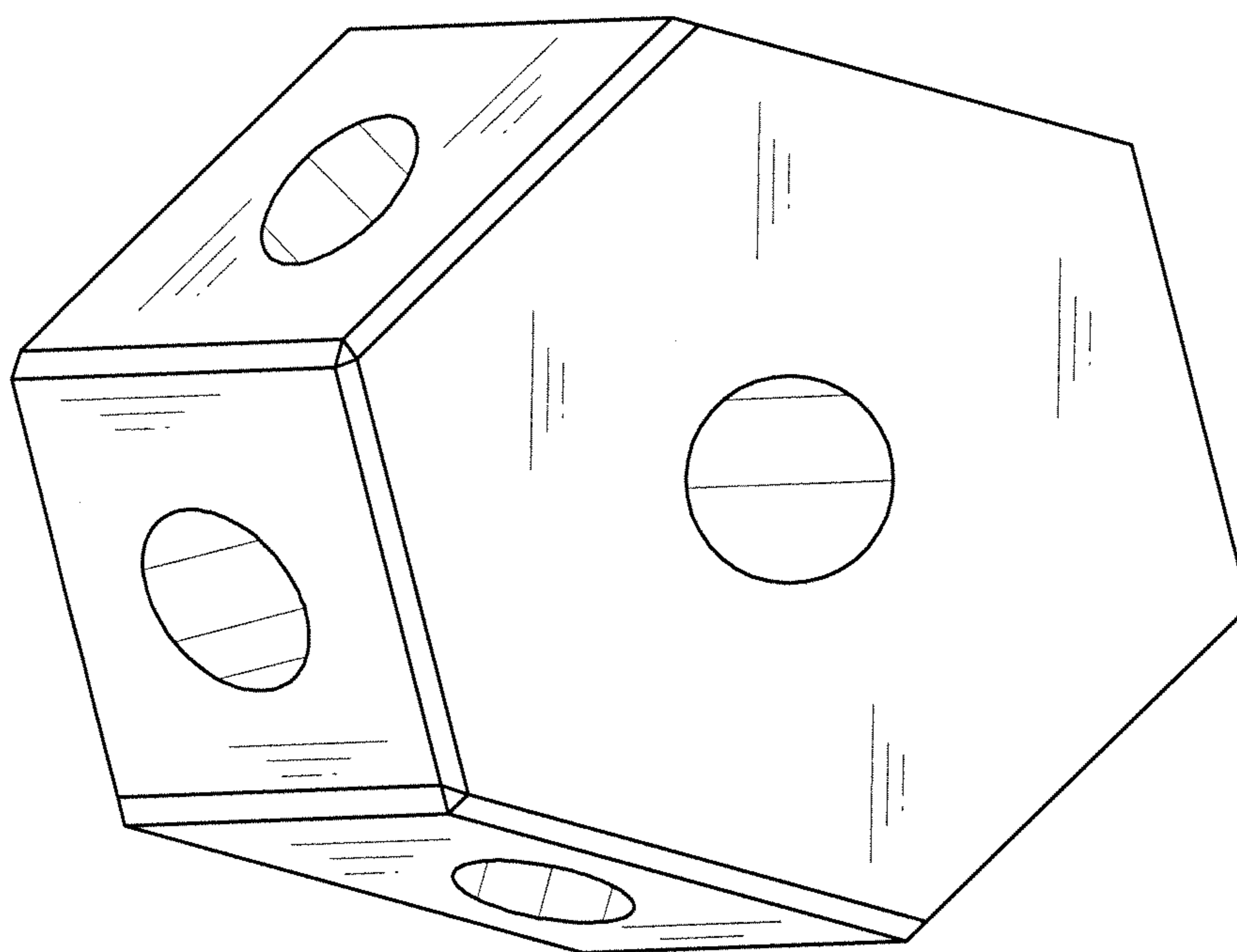
*FIG. 22*



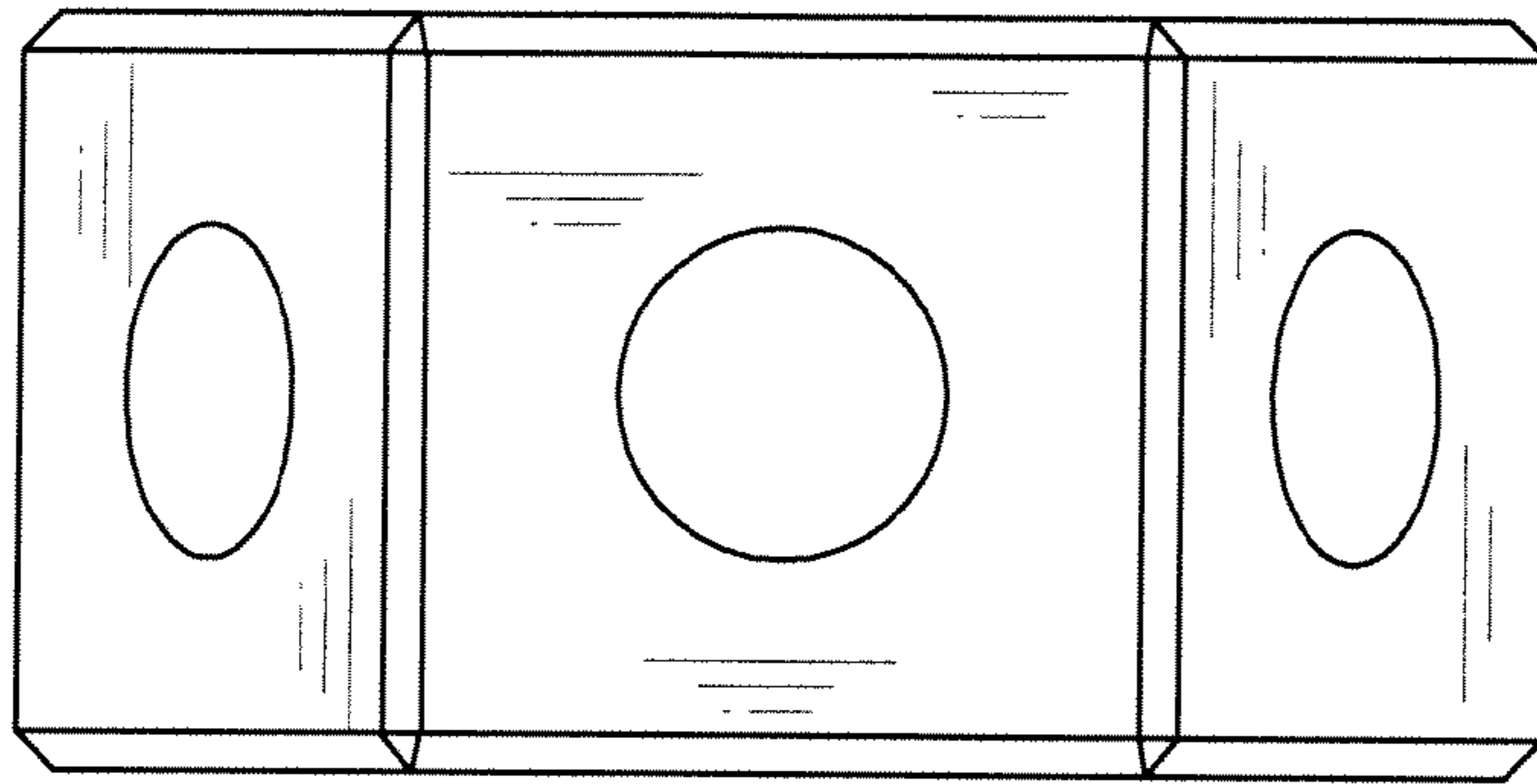
*FIG. 23*



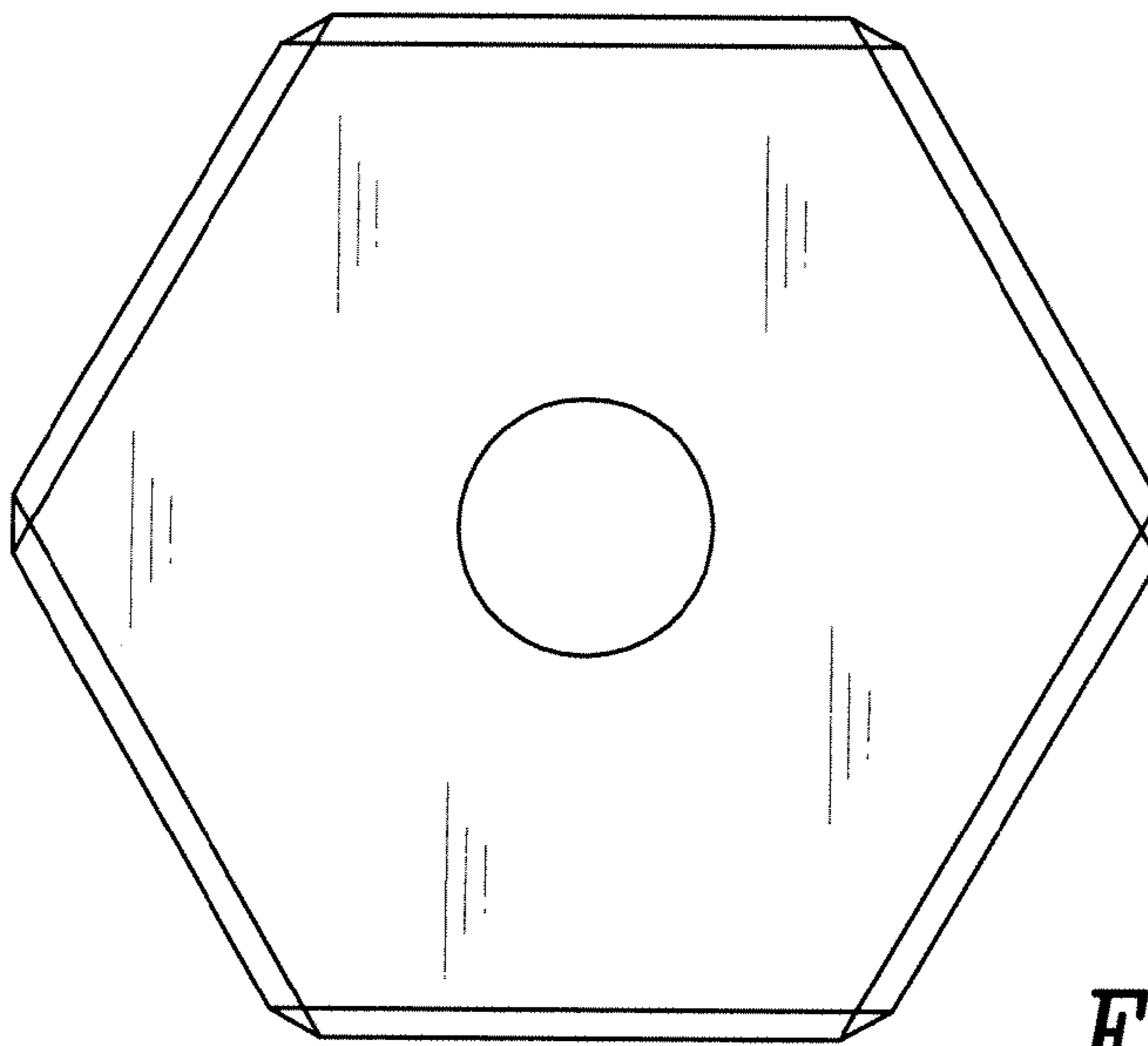
*FIG. 24*



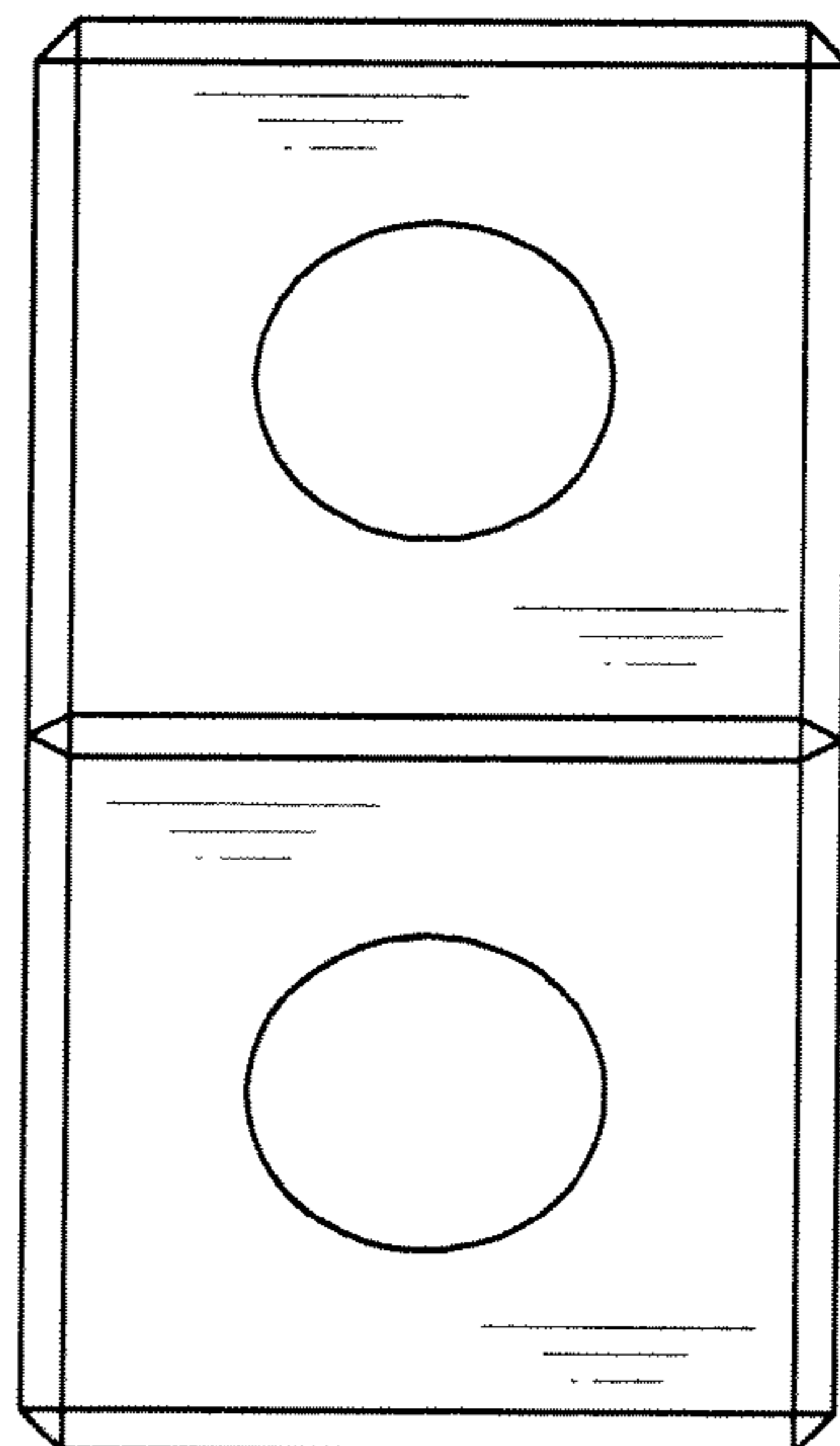
*FIG. 25*



*FIG. 27*

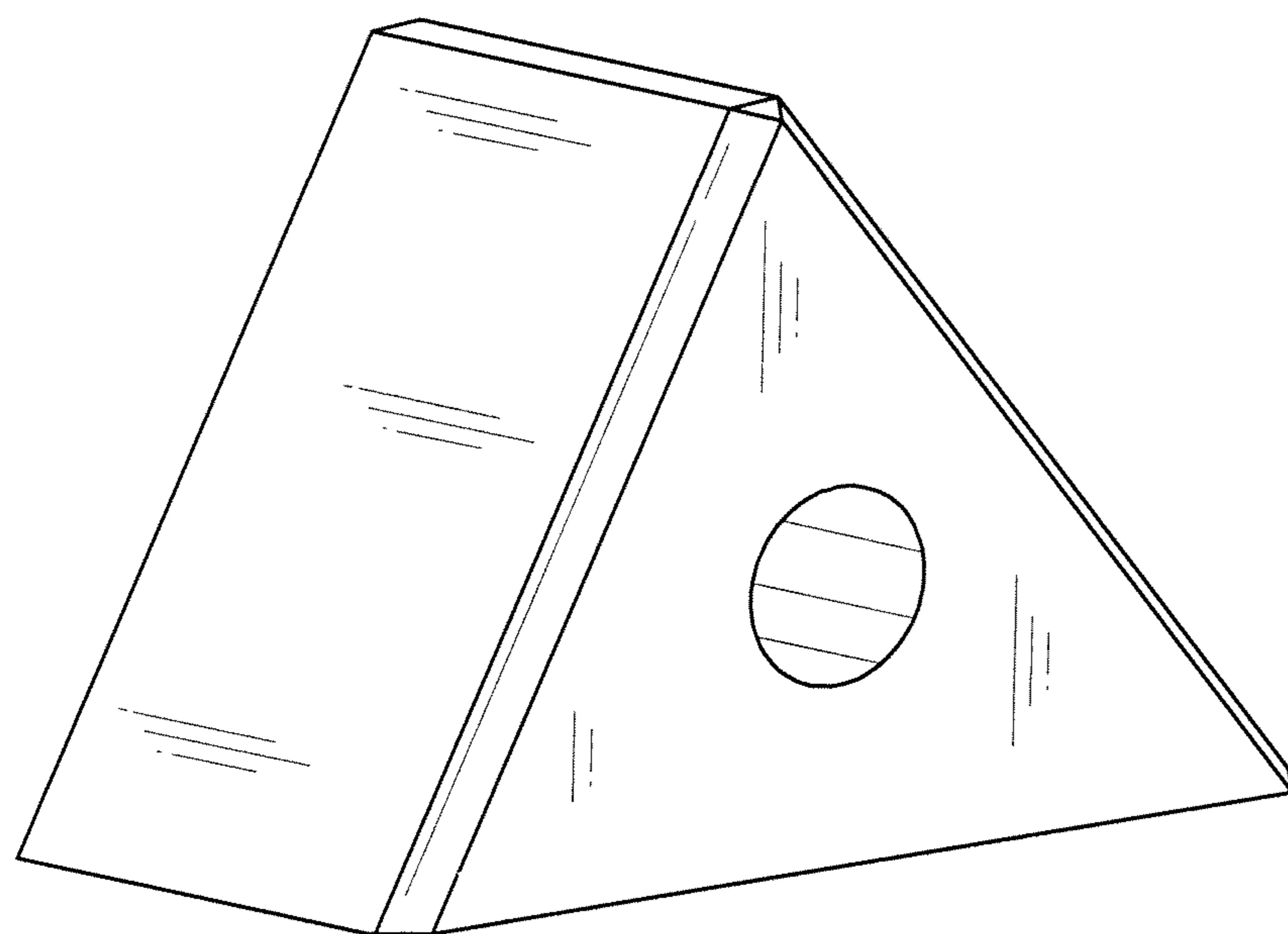


*FIG. 26*

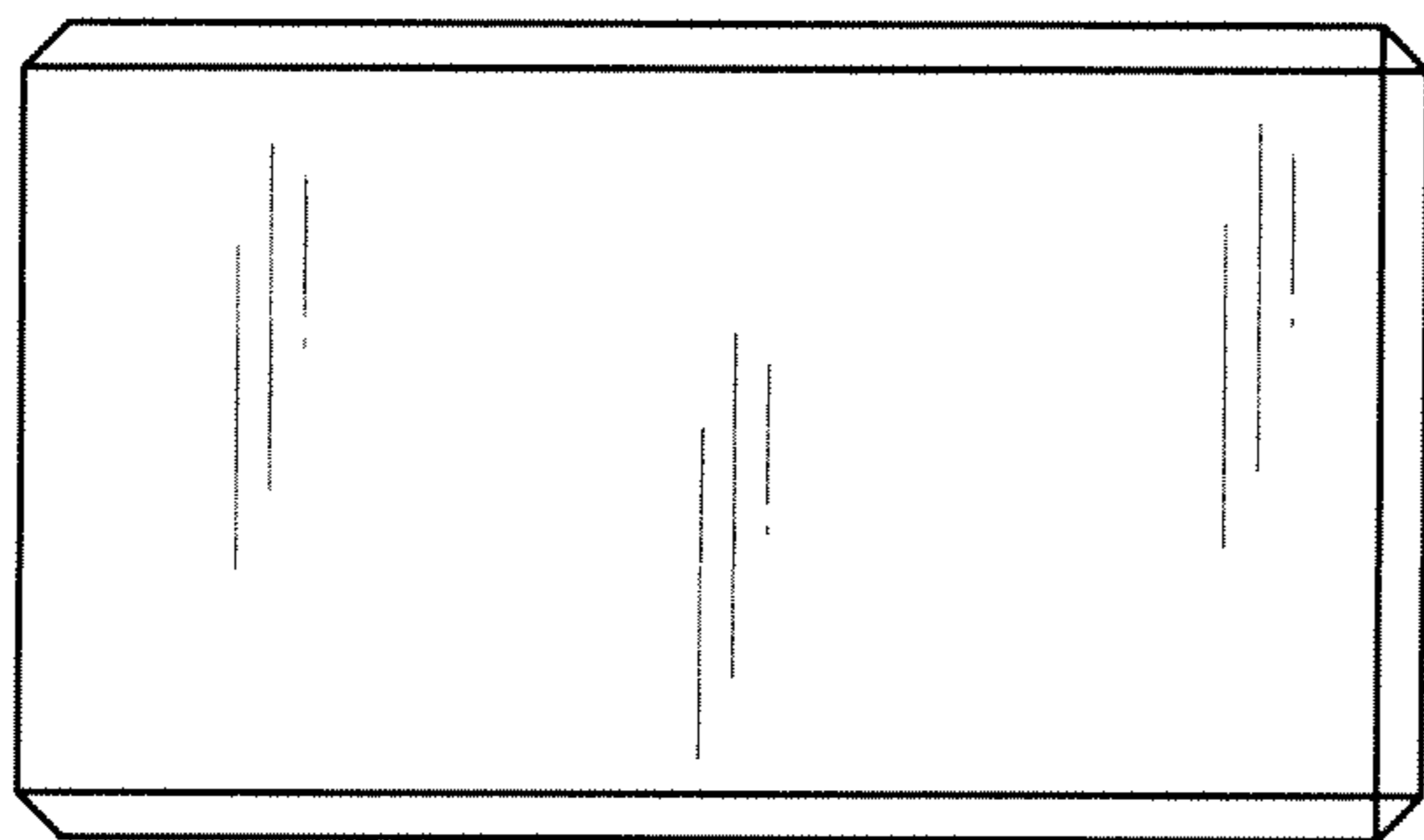


*FIG. 28*

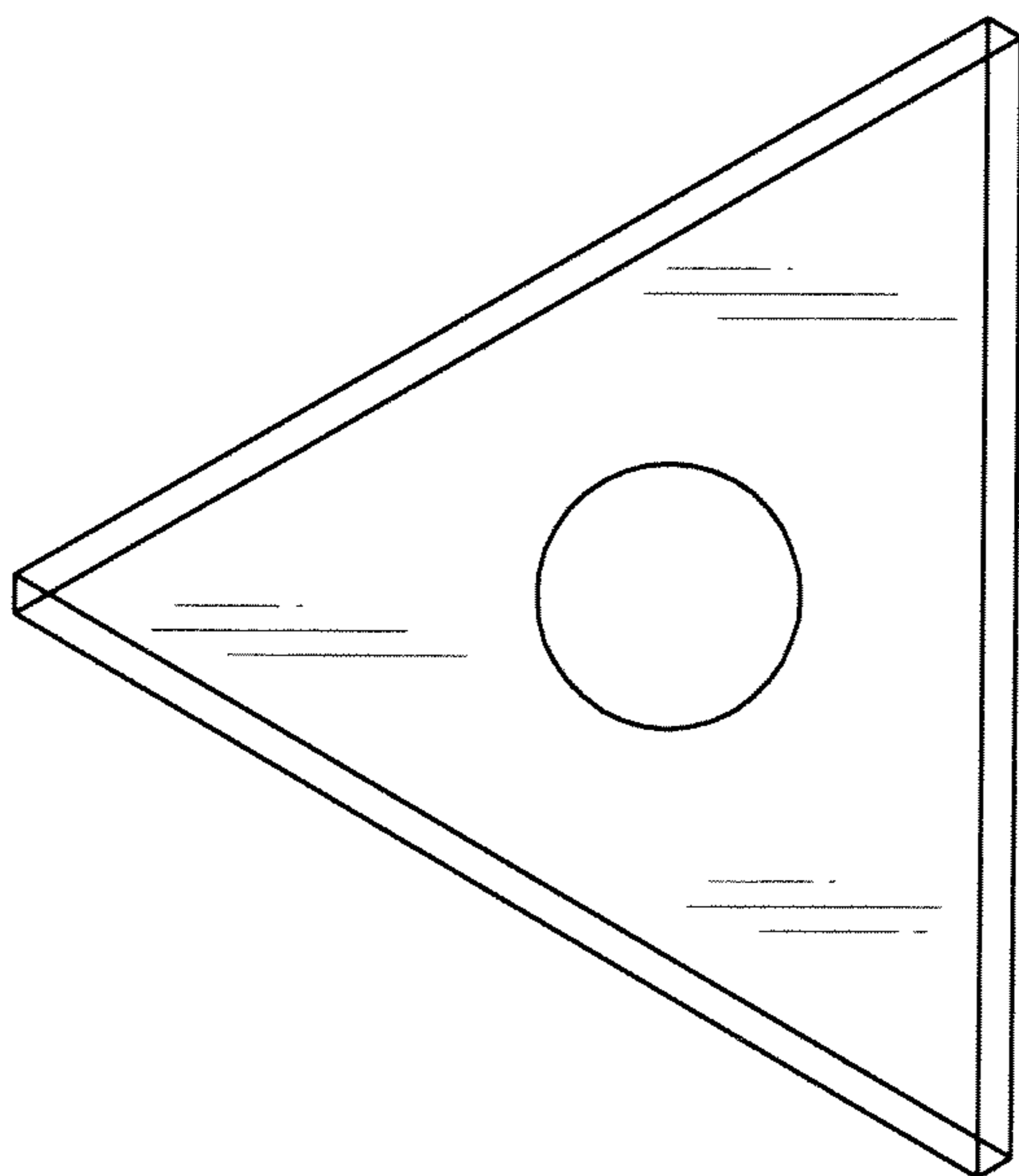




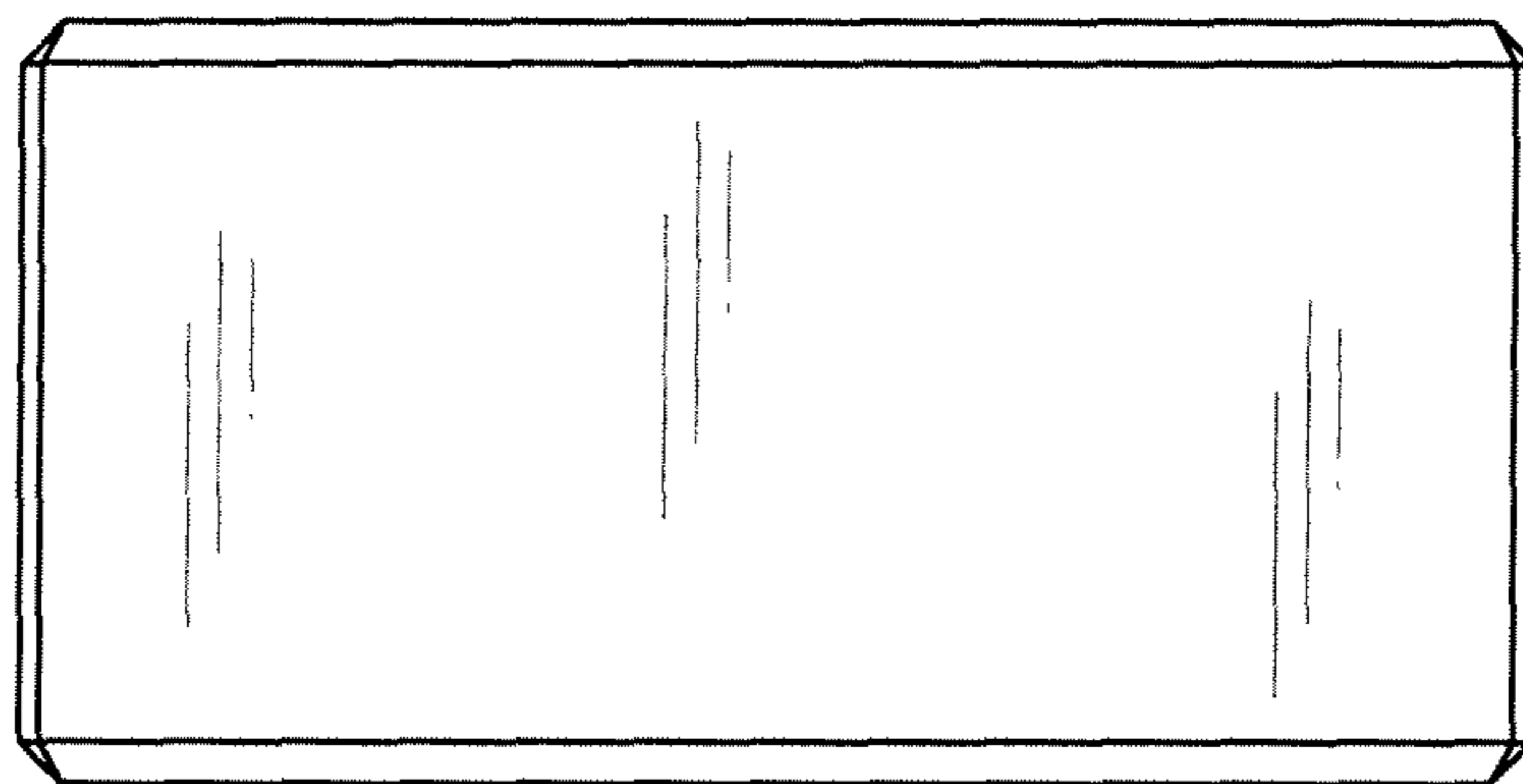
*FIG. 29*



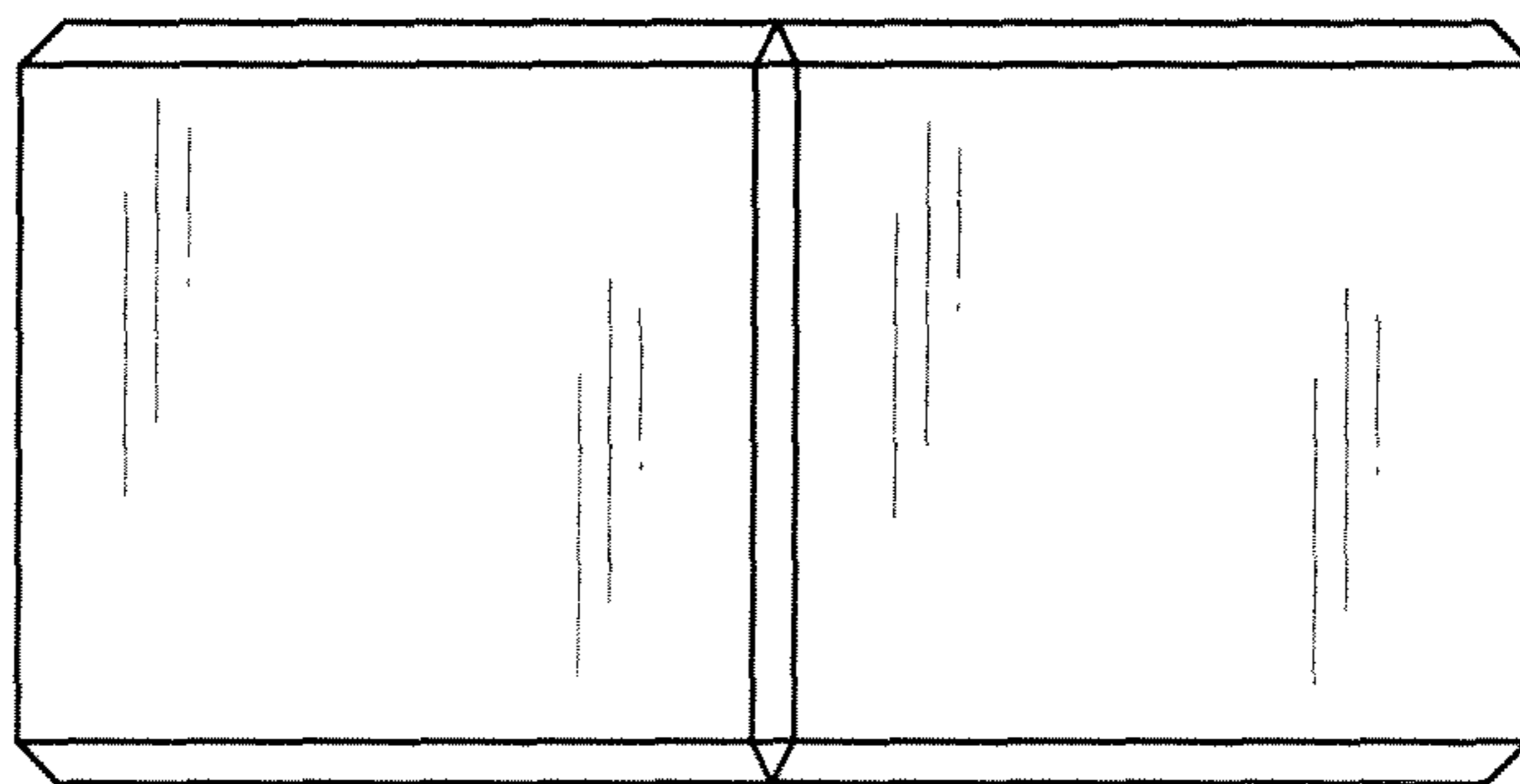
*FIG. 31*



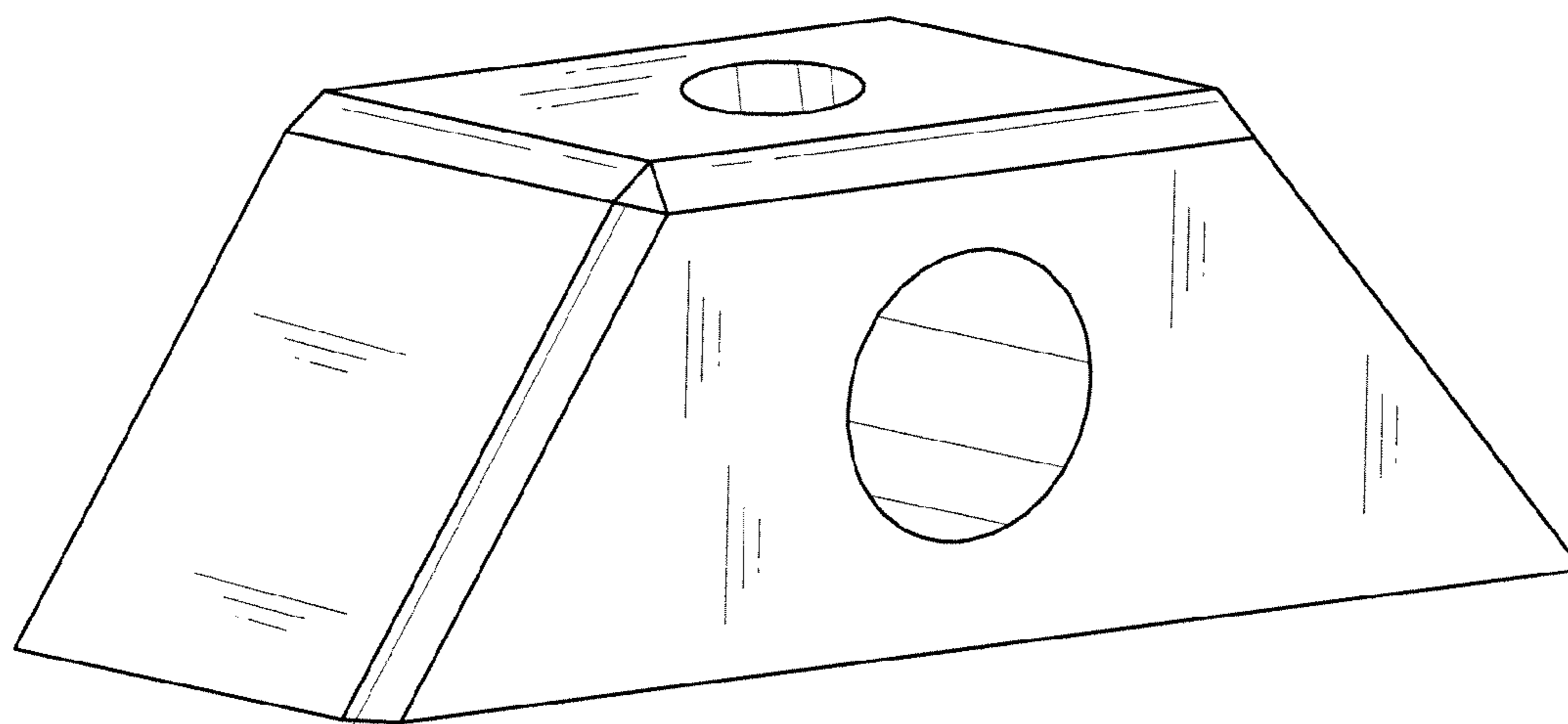
*FIG. 30*



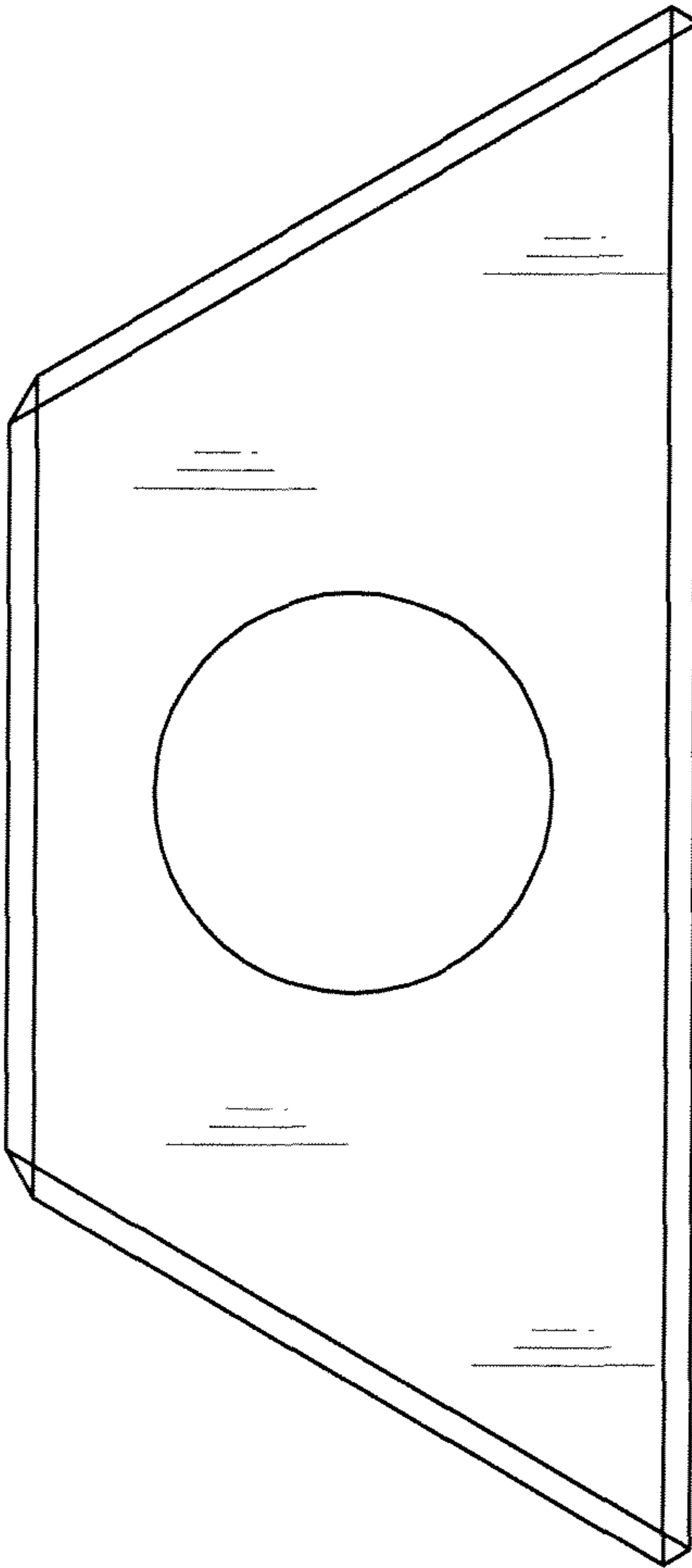
*FIG. 32*



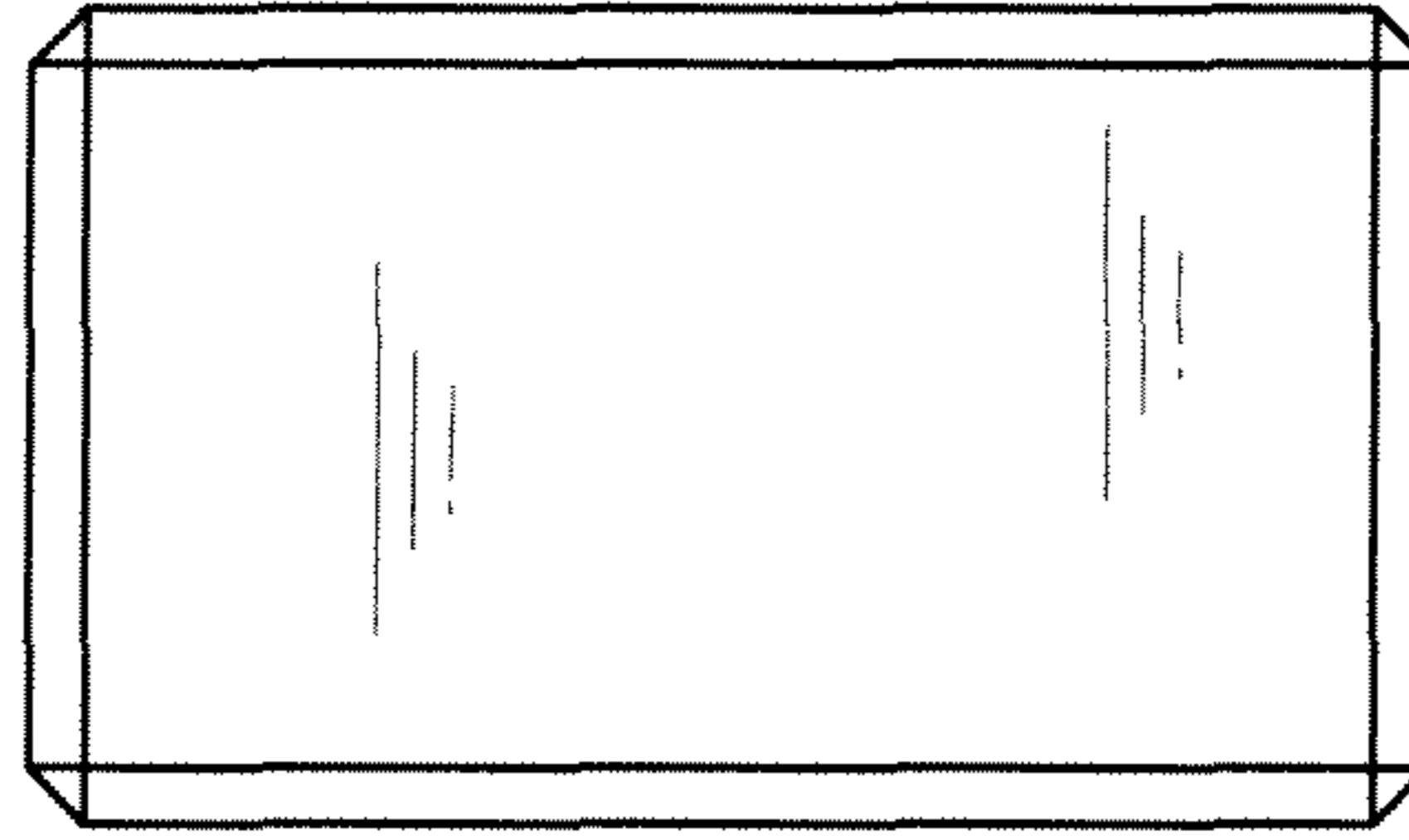
*FIG. 33*



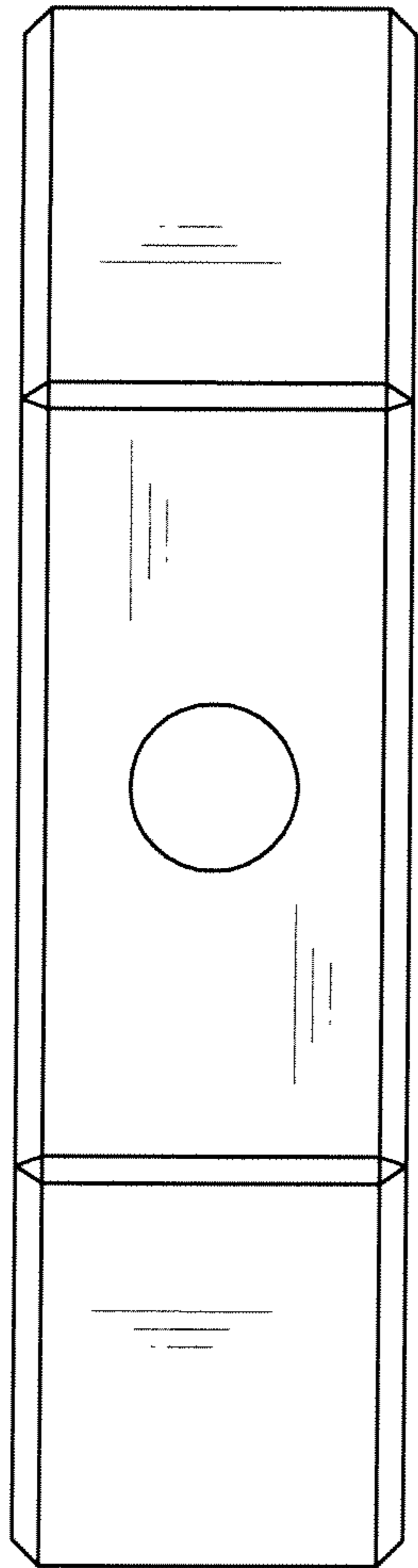
*FIG. 34*



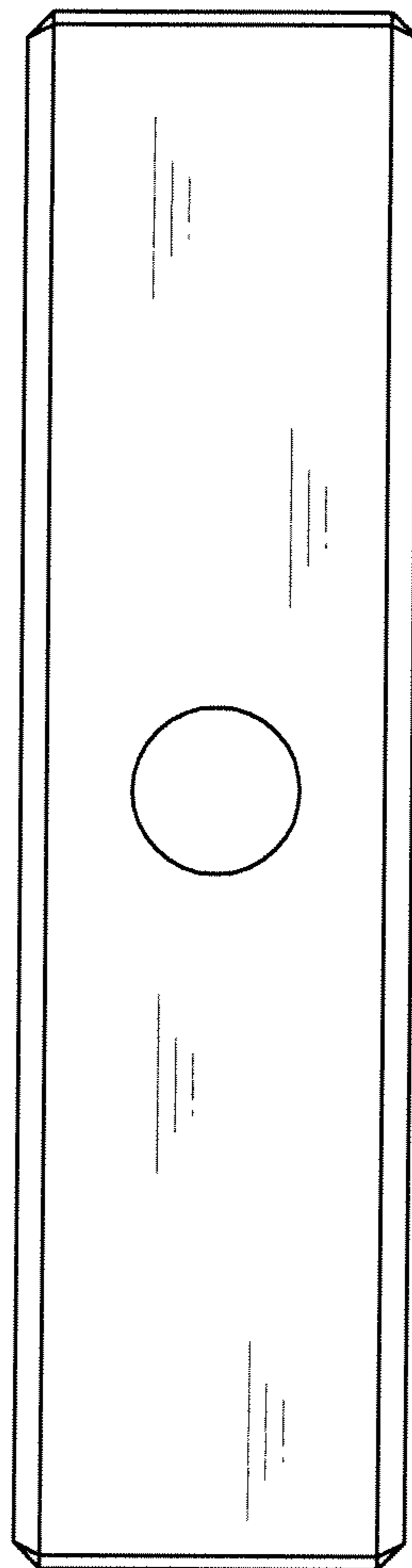
*FIG. 35*



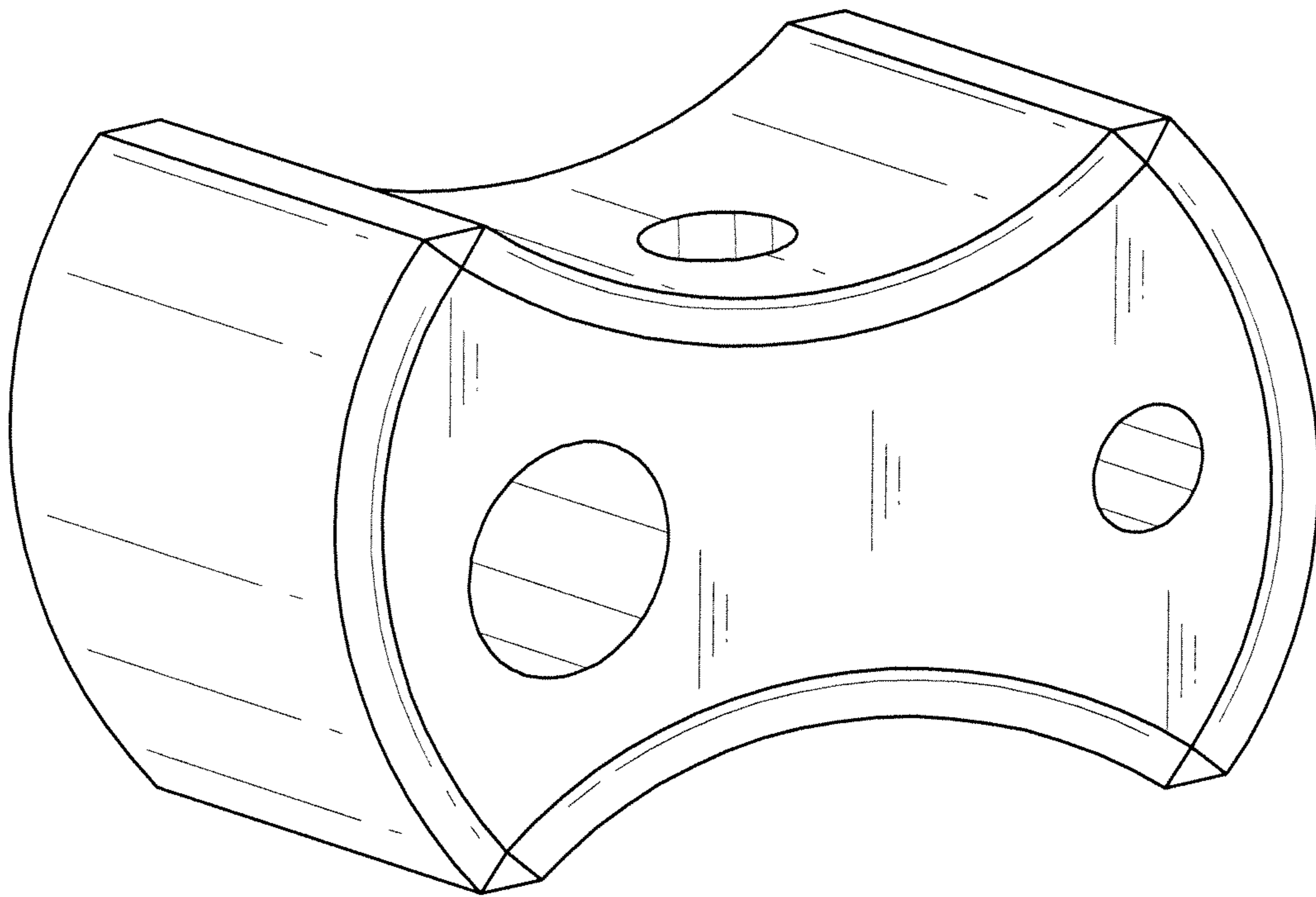
*FIG. 36*



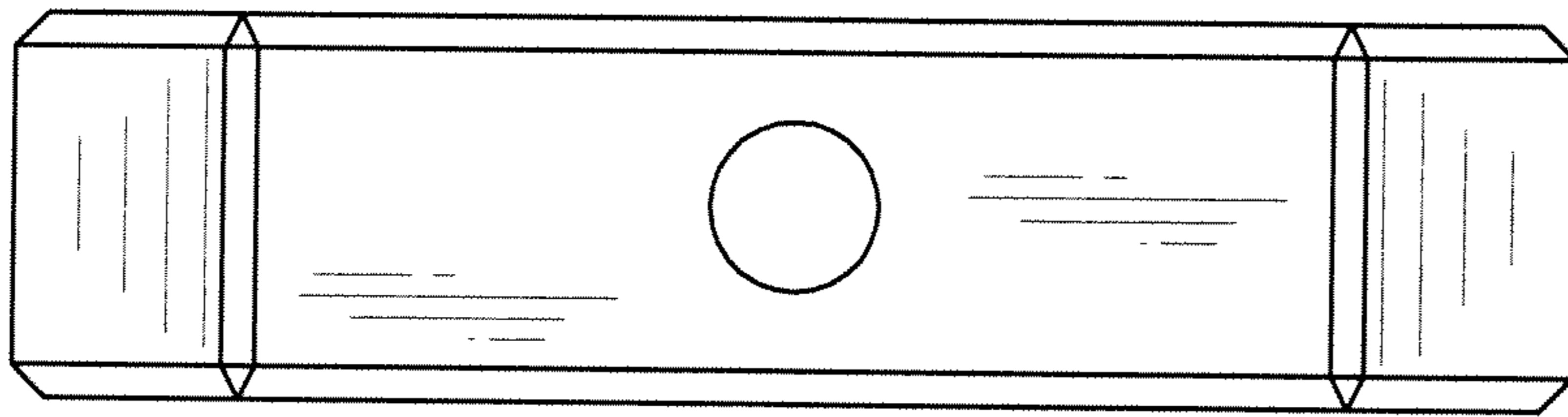
*FIG. 37*



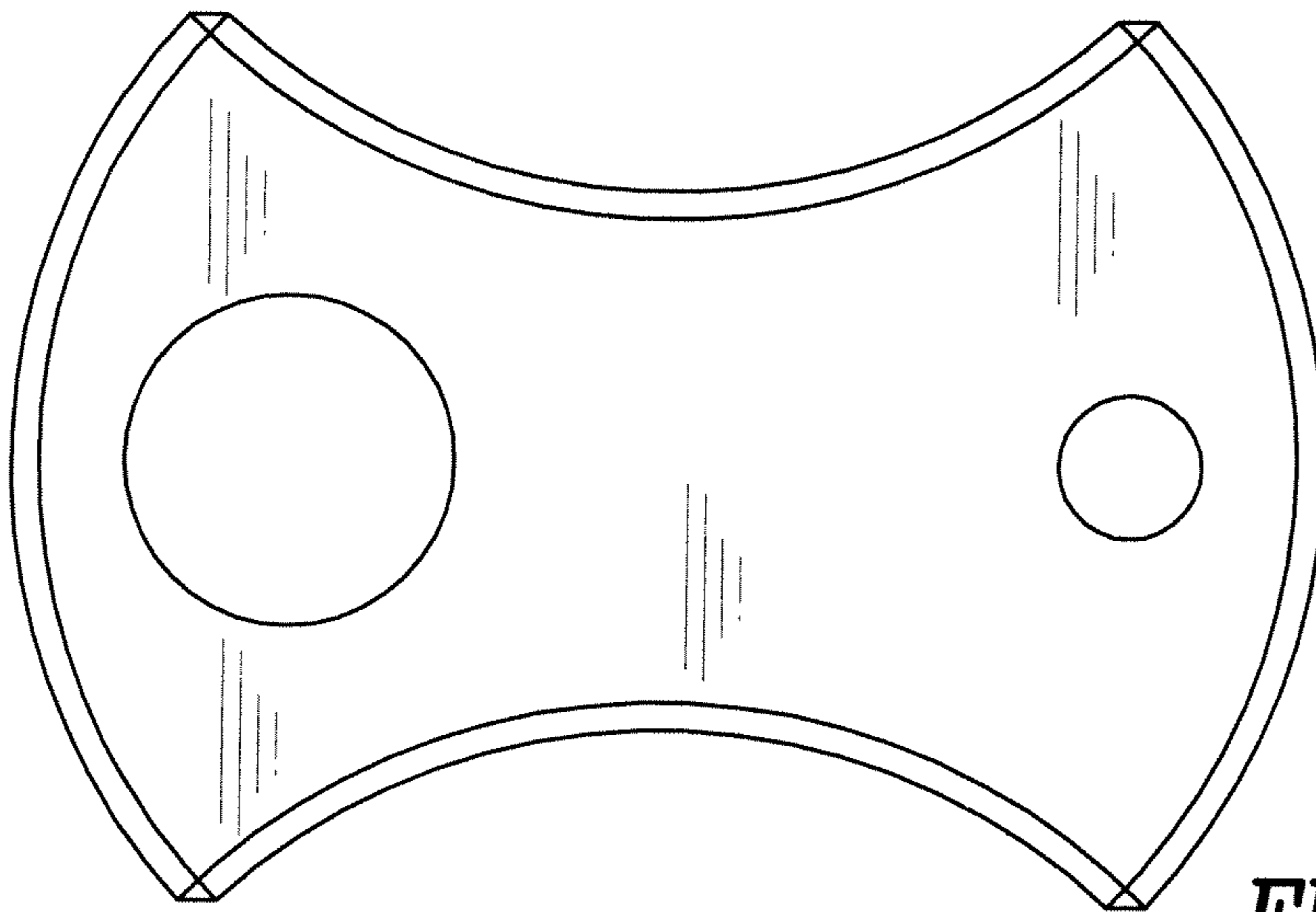
*FIG. 38*



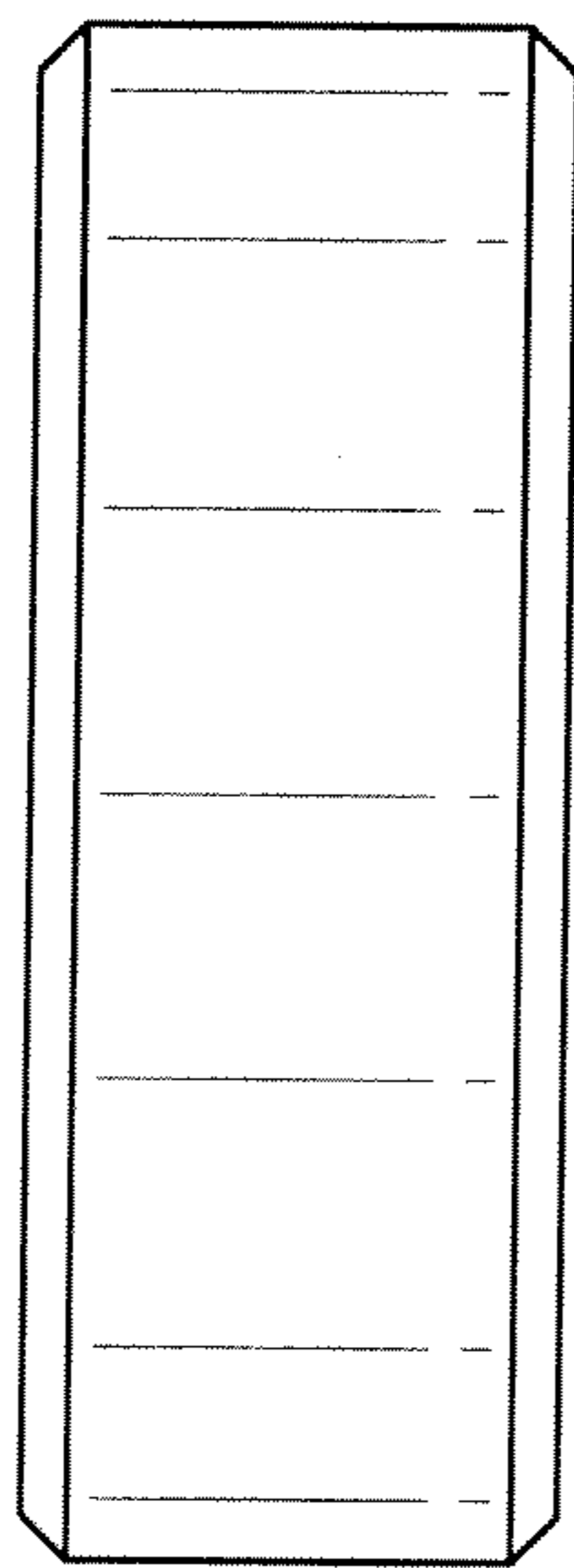
*FIG. 39*



*FIG. 42*

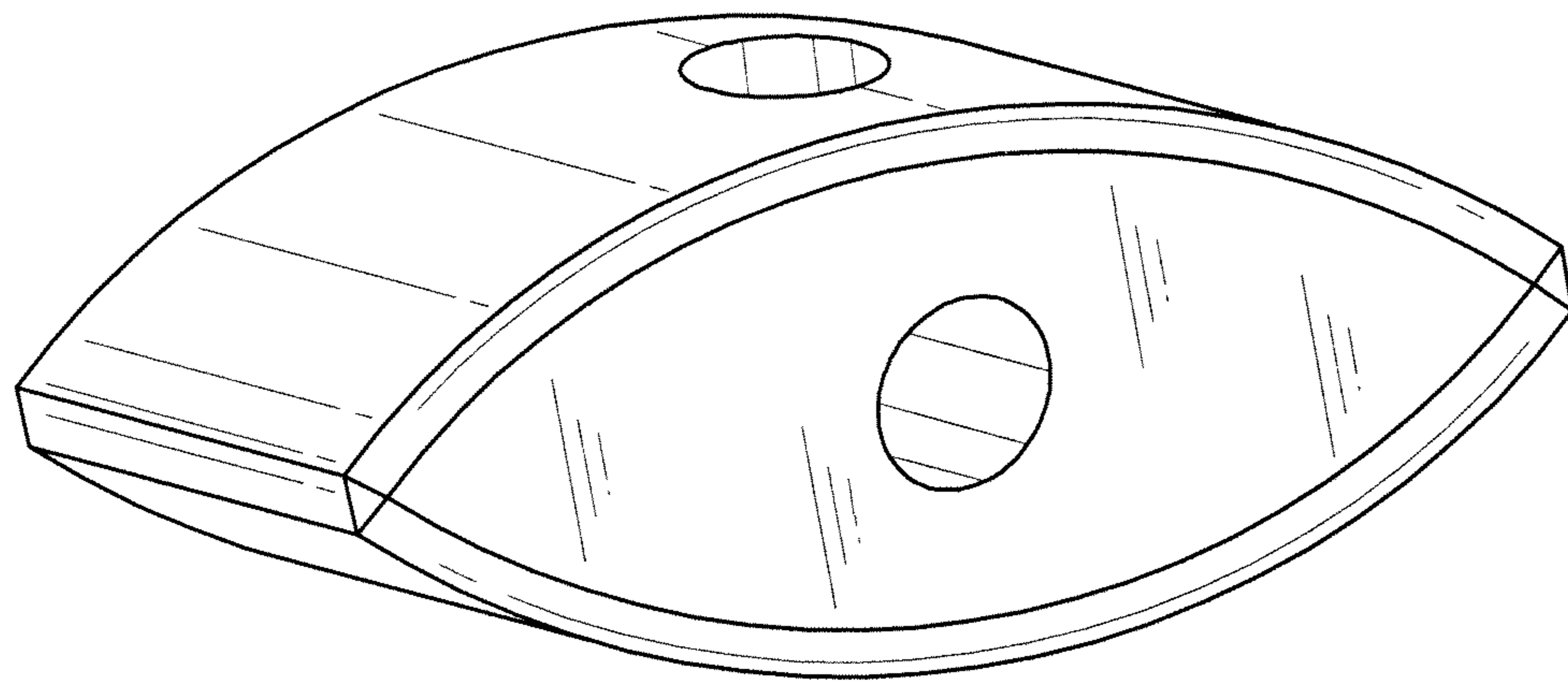


*FIG. 40*

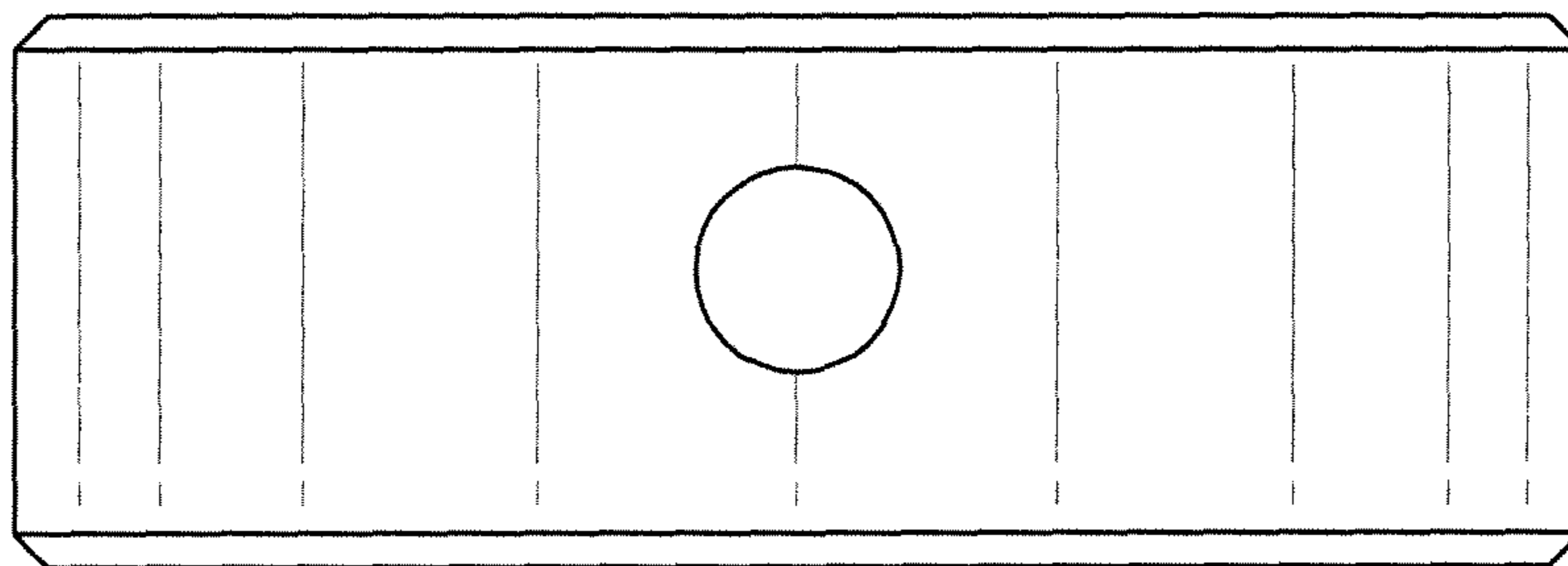


*FIG. 41*

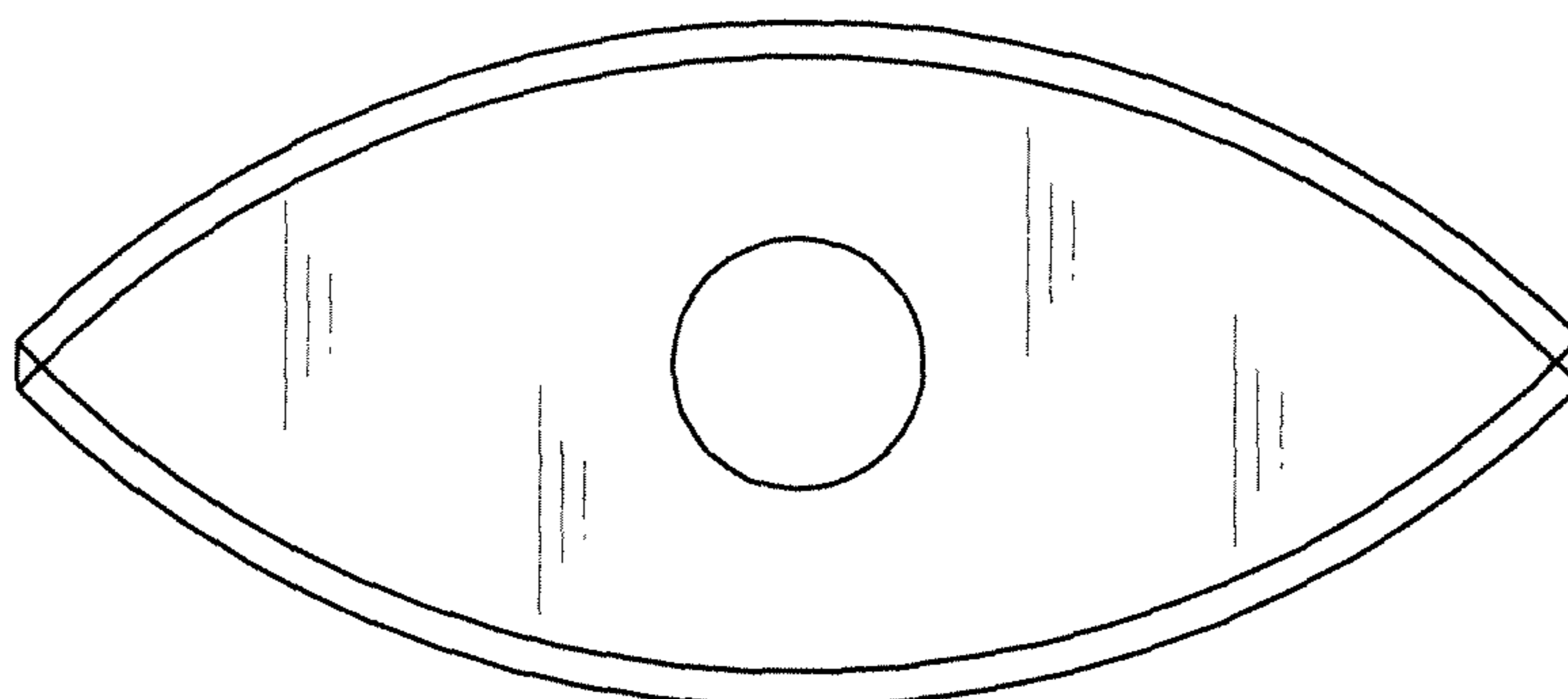




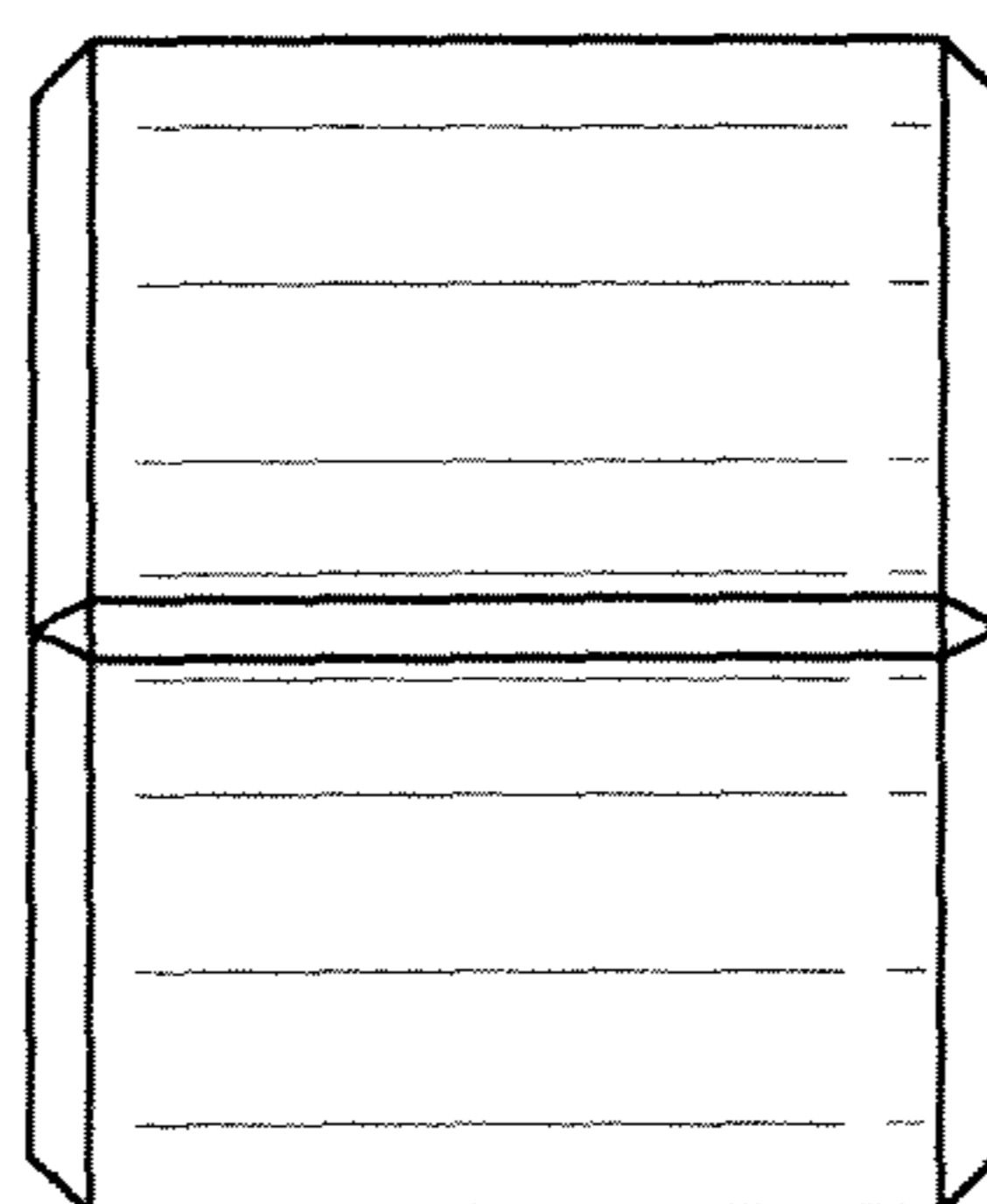
*FIG. 43*



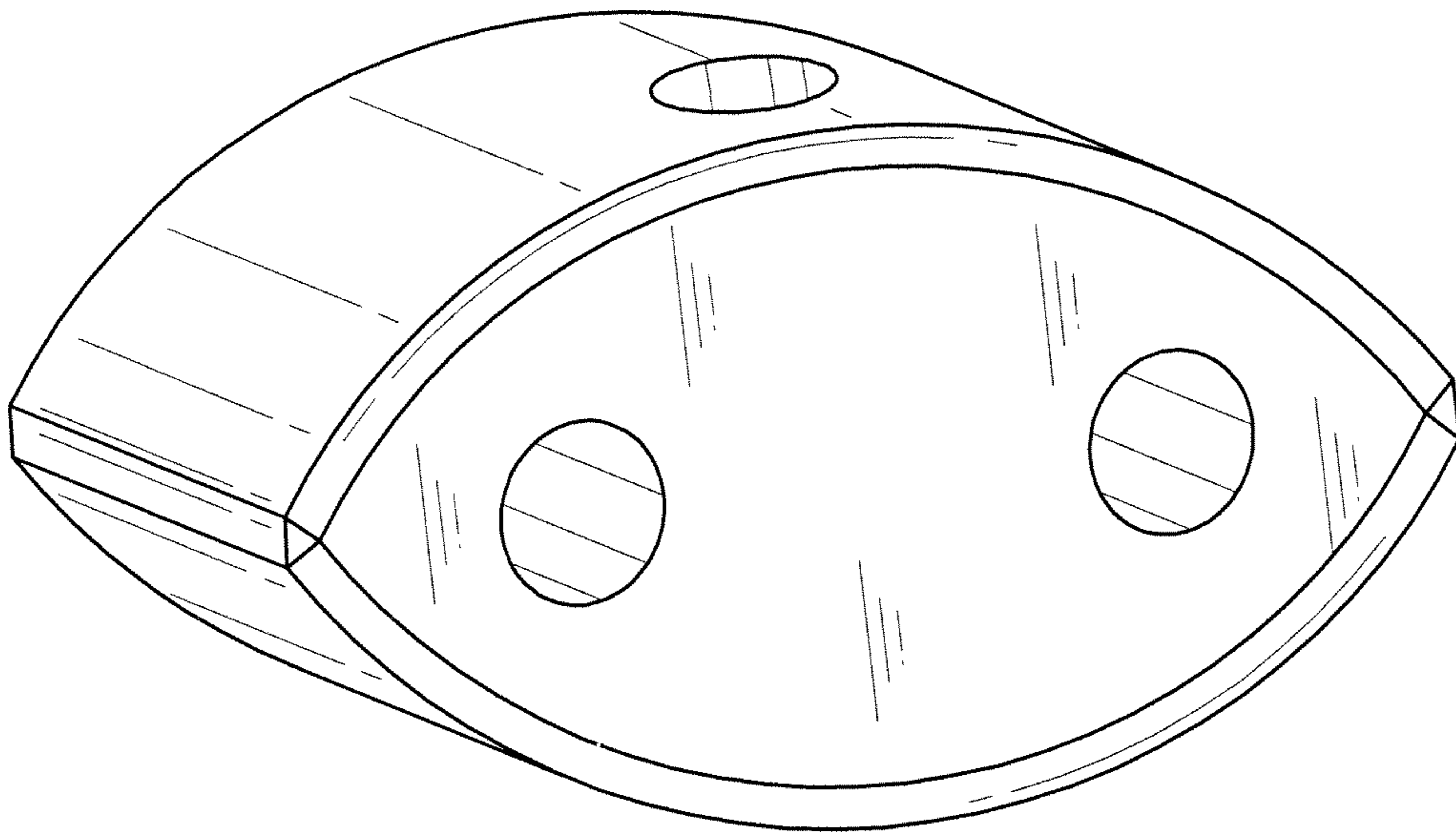
*FIG. 44*



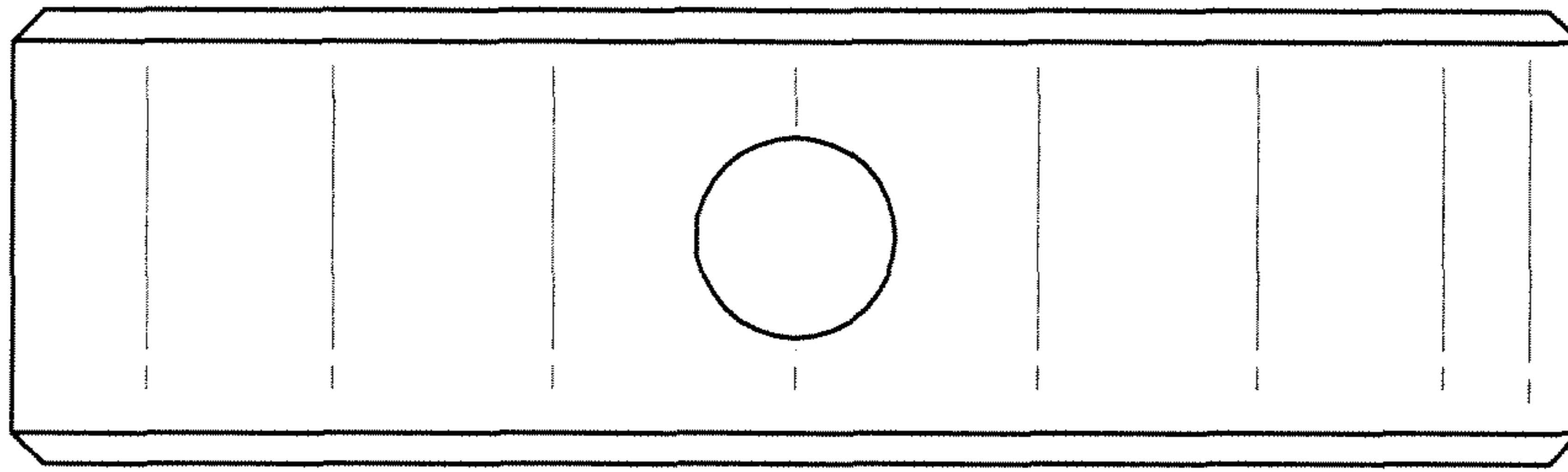
*FIG. 45*



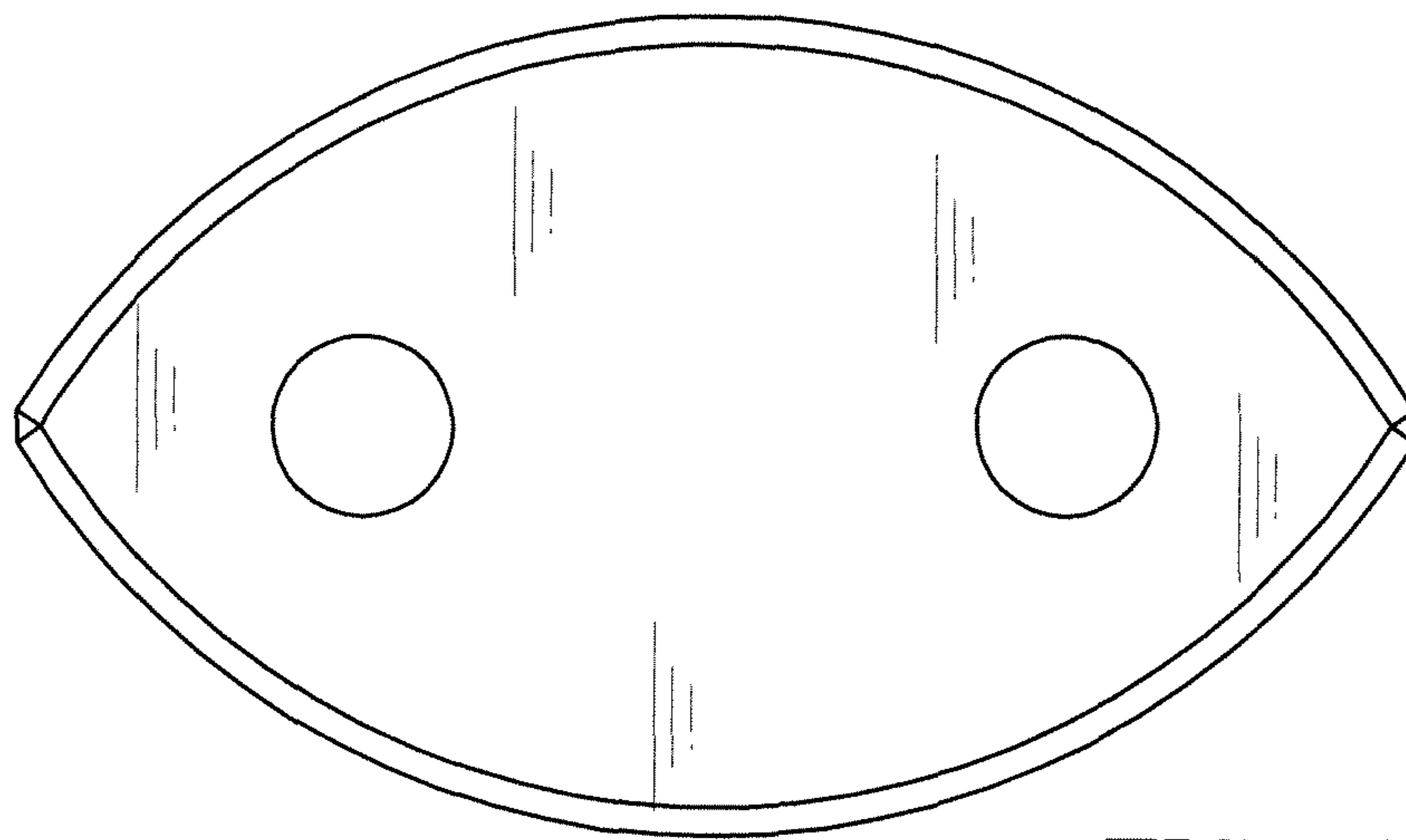
*FIG. 46*



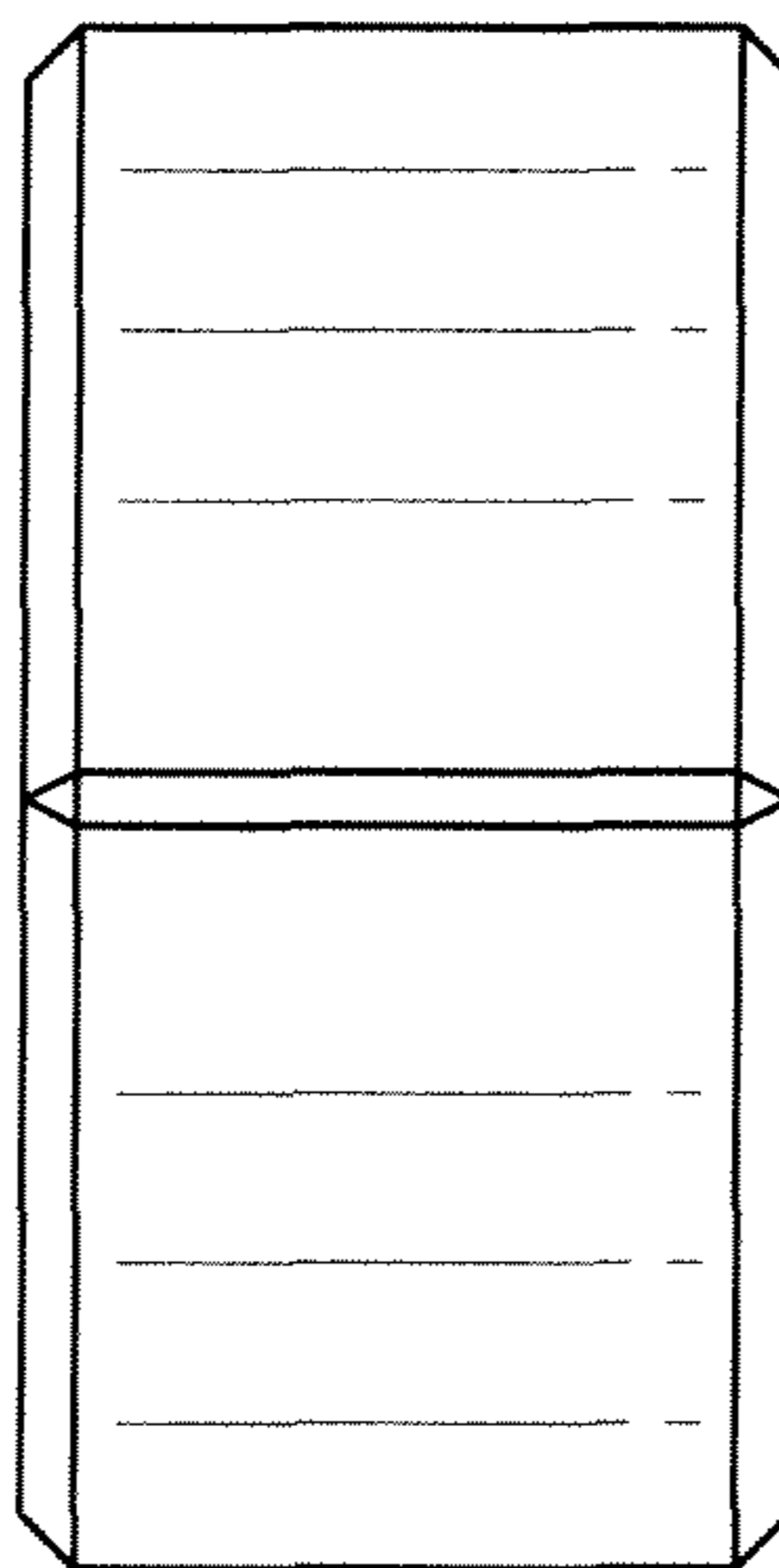
*FIG. 47*



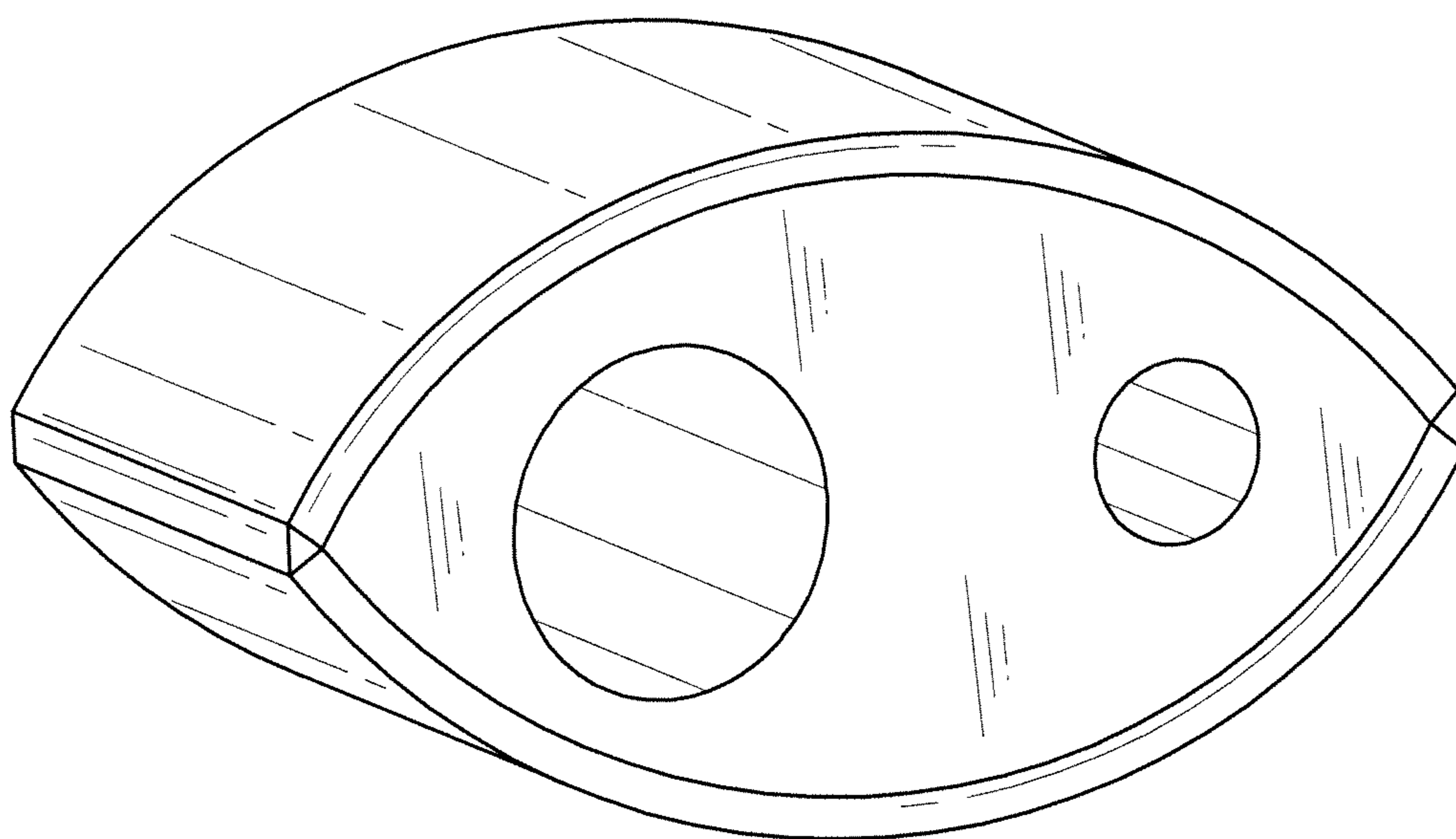
*FIG. 50*



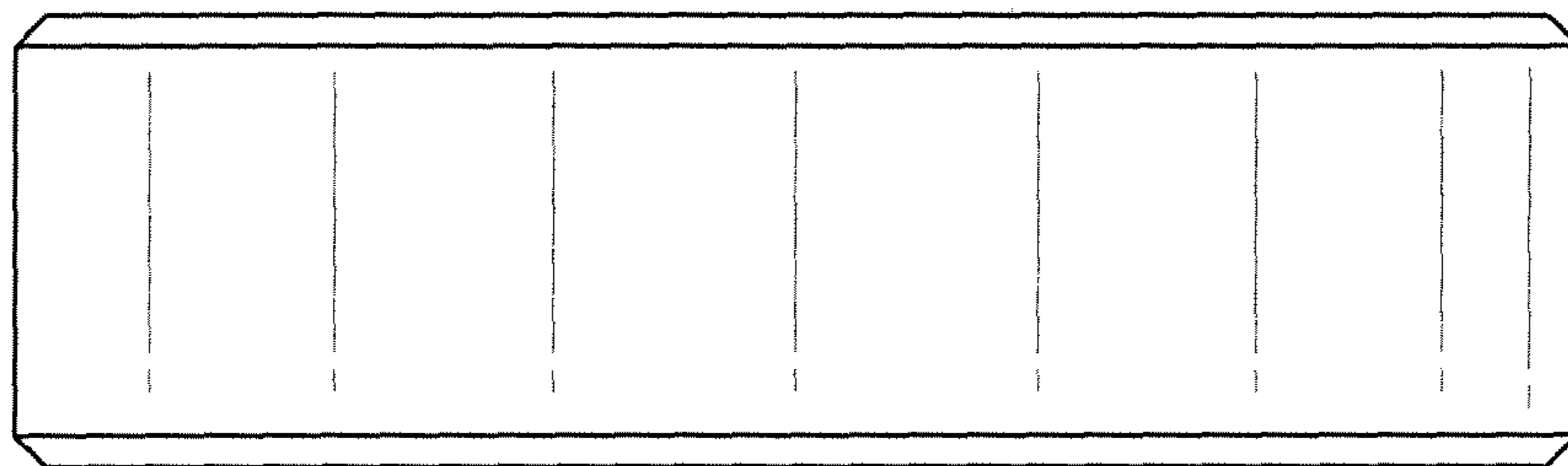
*FIG. 48*



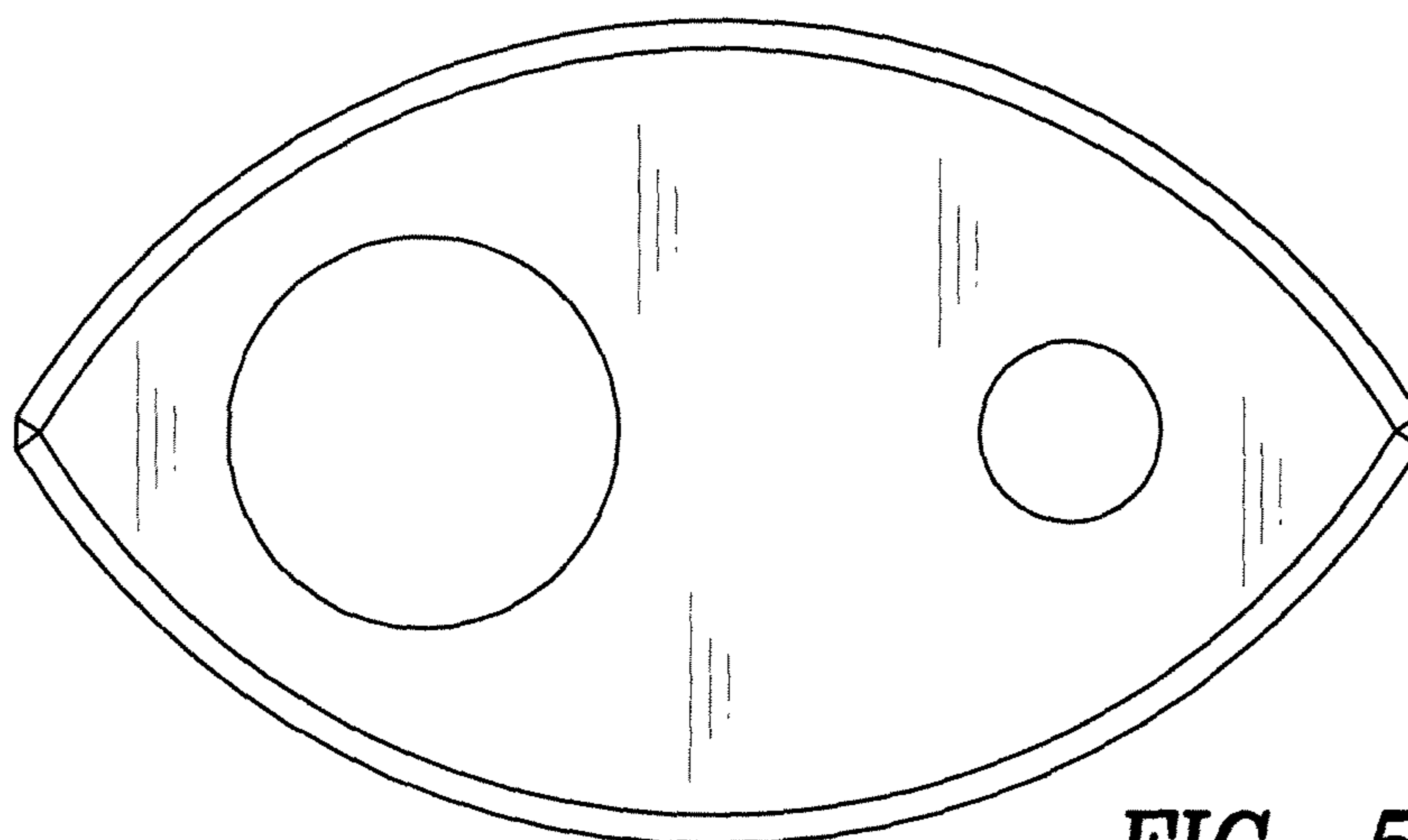
*FIG. 49*



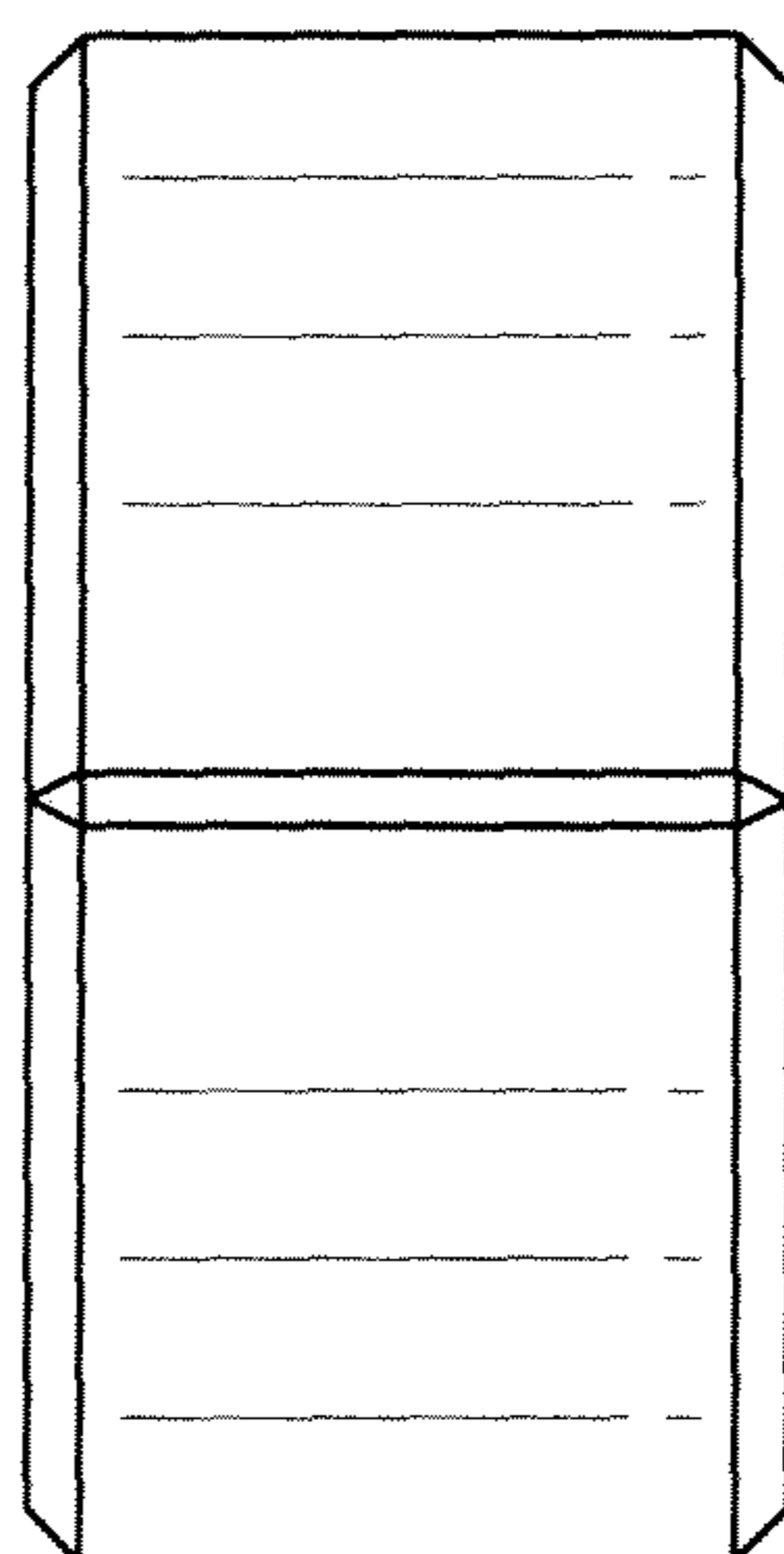
*FIG. 51*



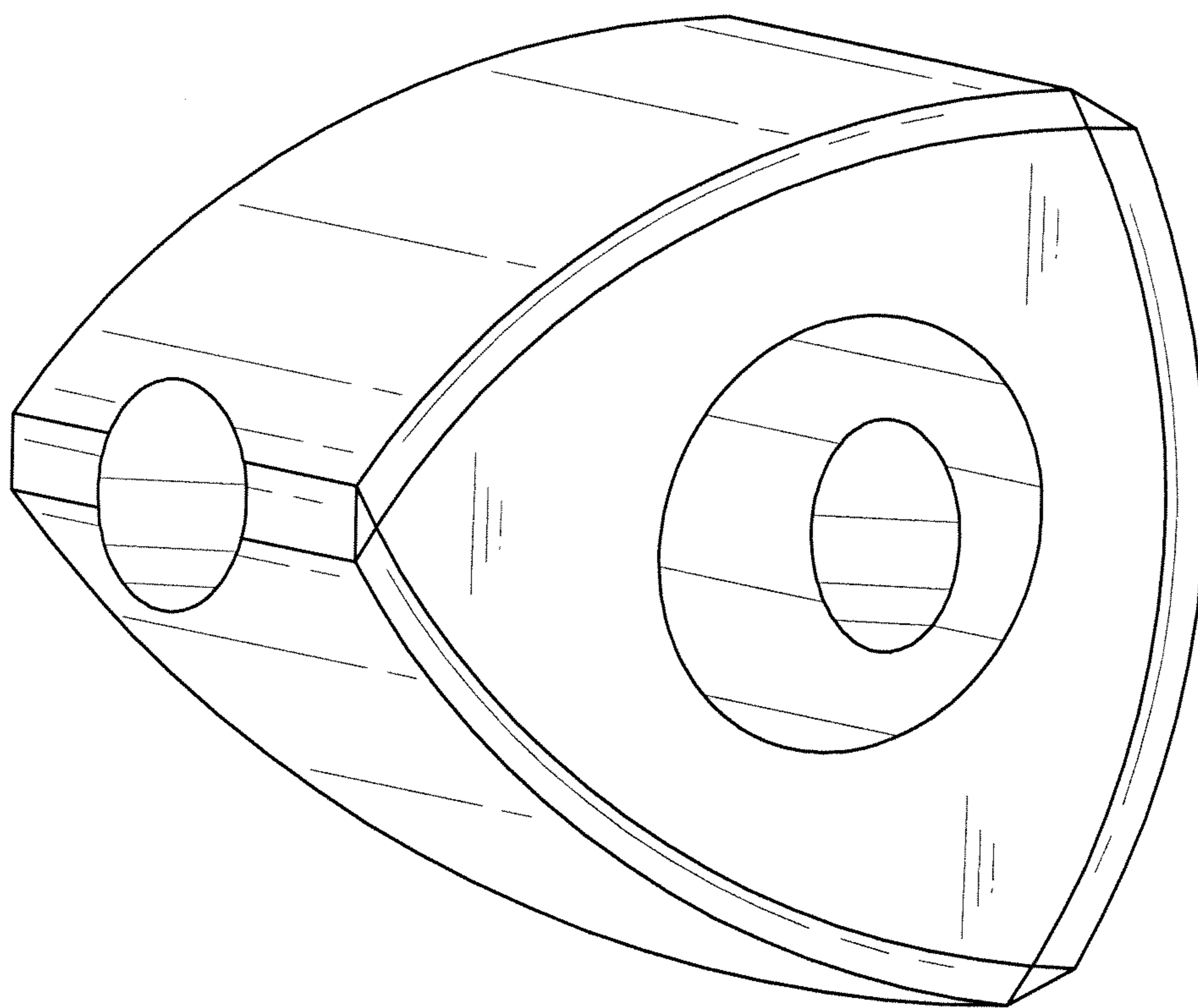
*FIG. 54*



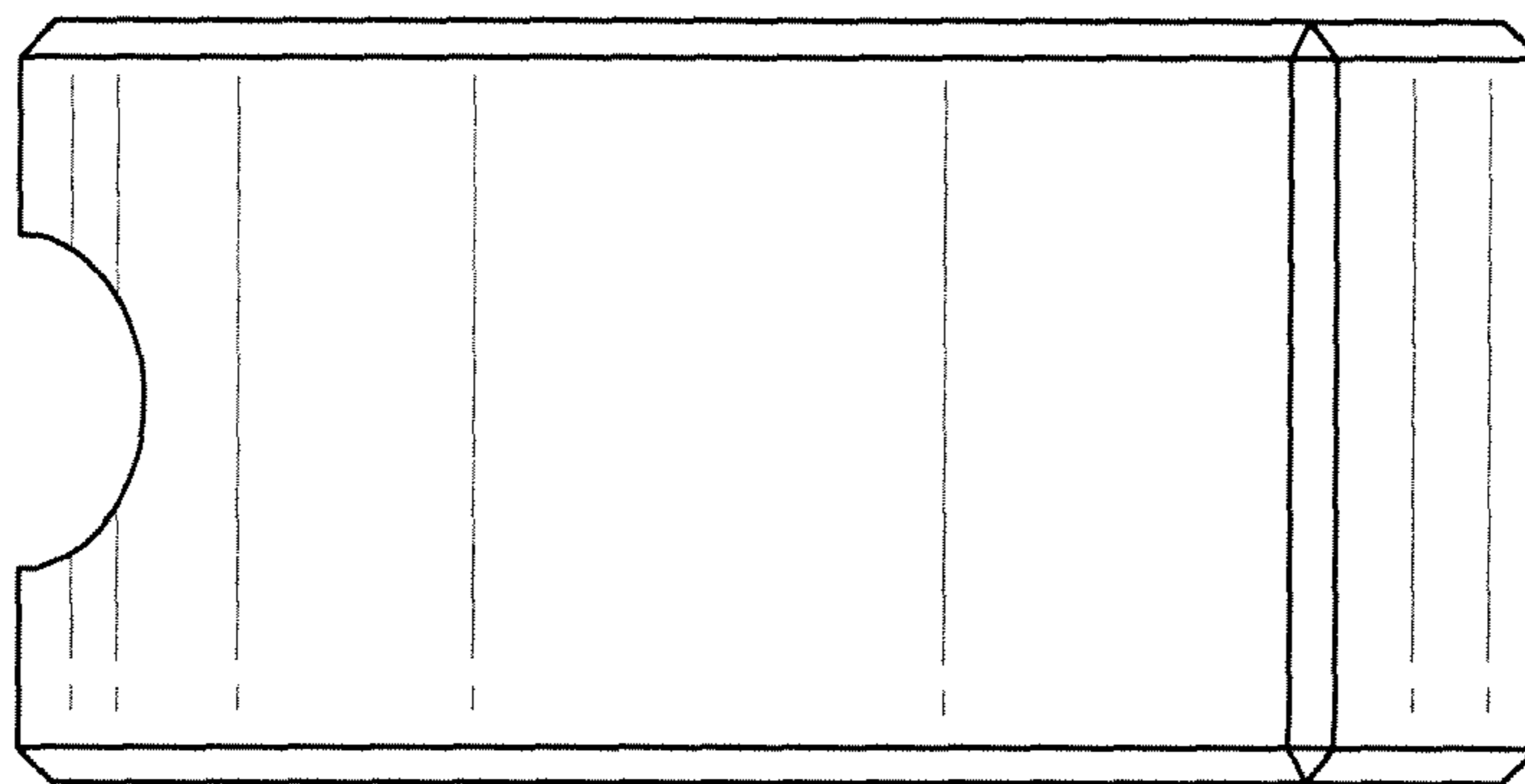
*FIG. 52*



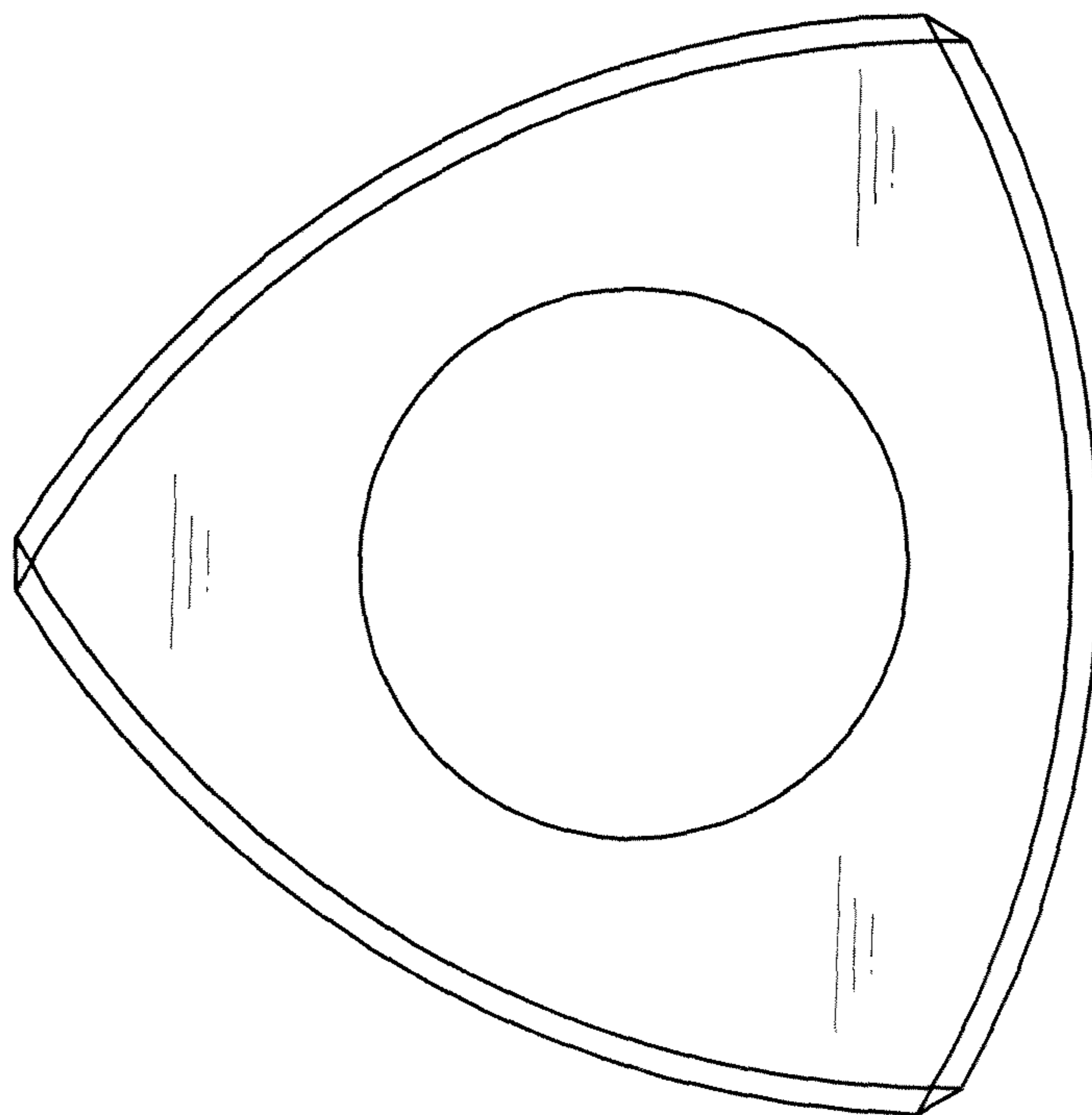
*FIG. 53*



*FIG. 55*

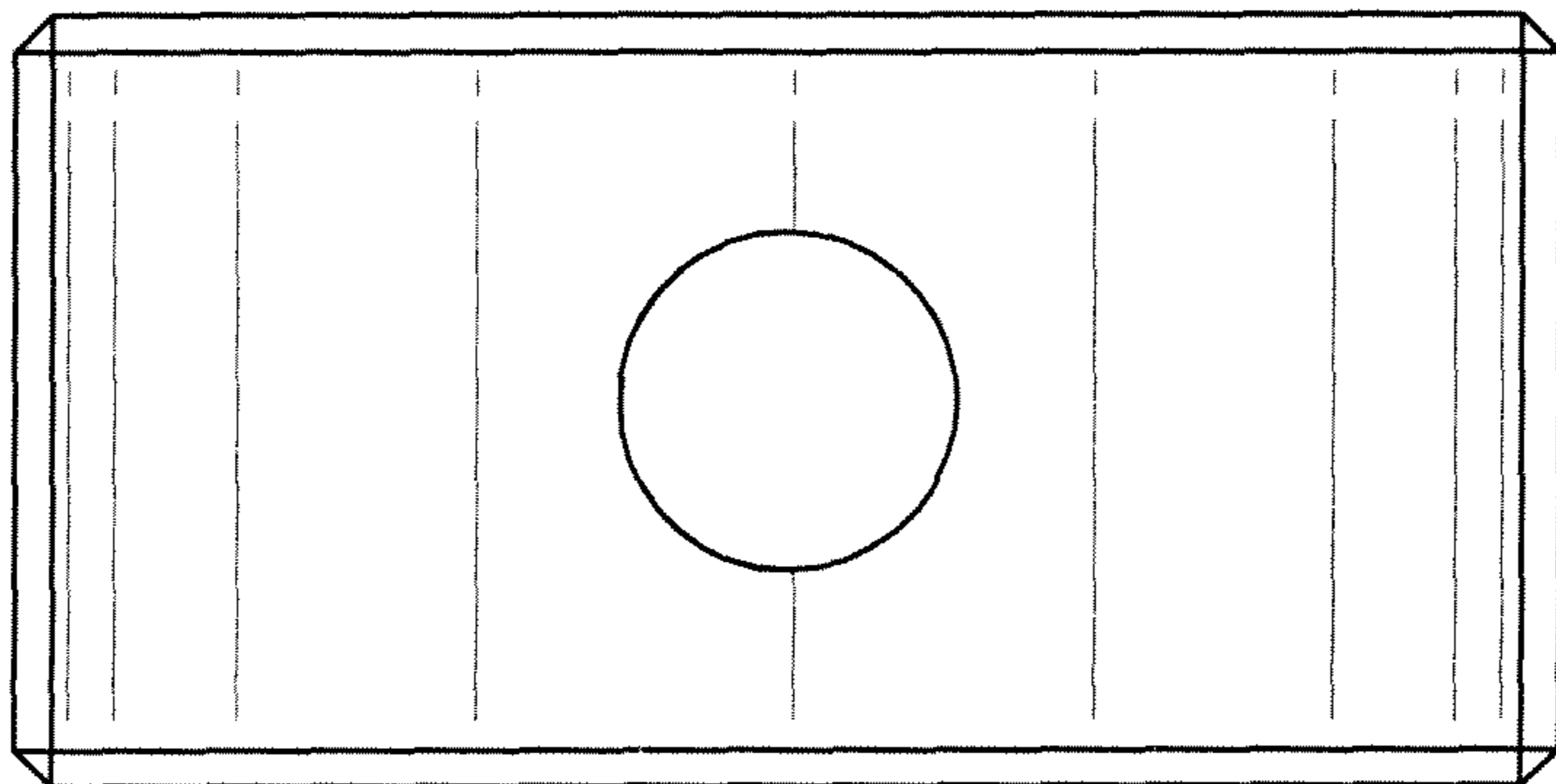


*FIG. 57*

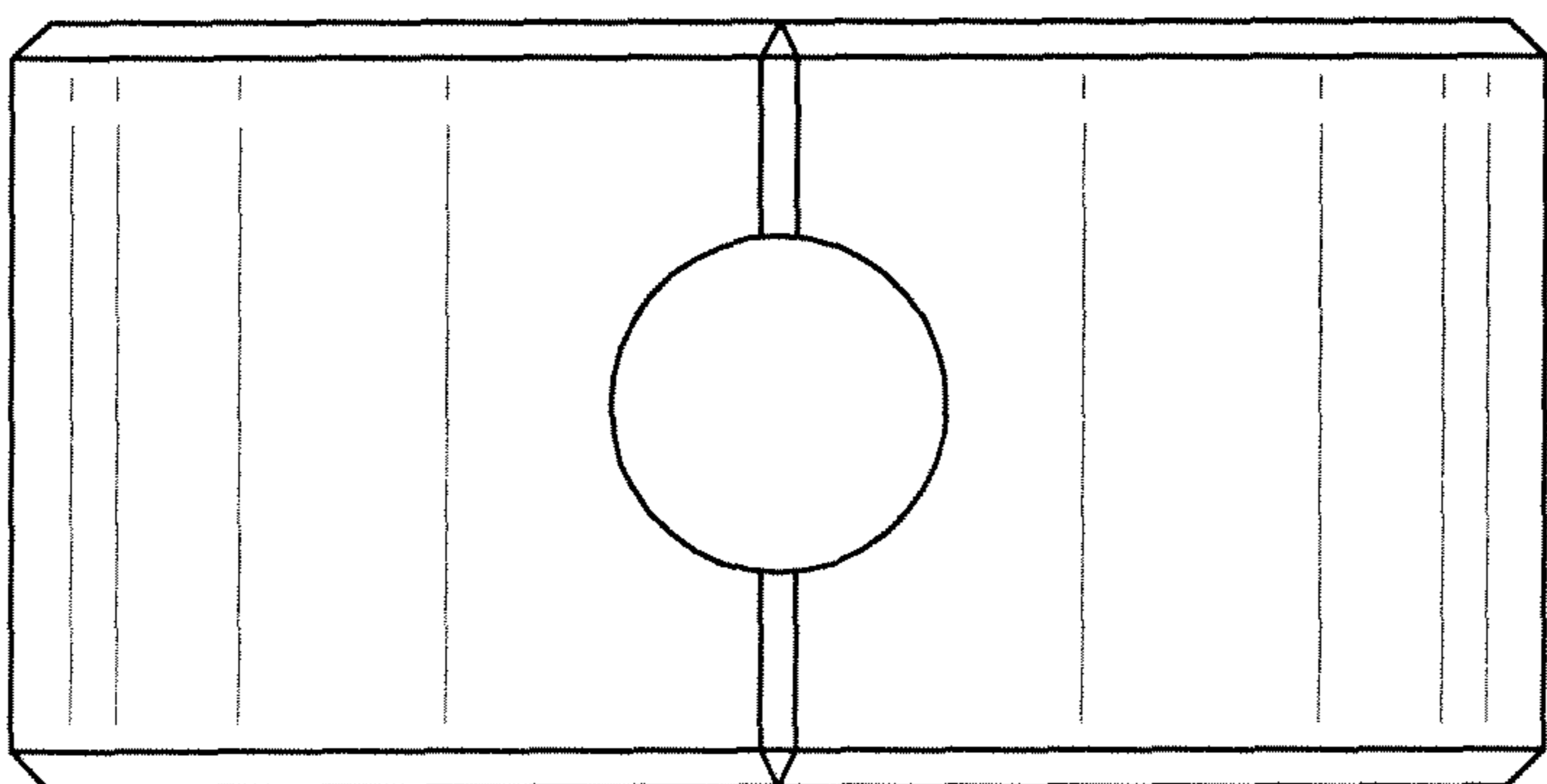


*FIG. 56*

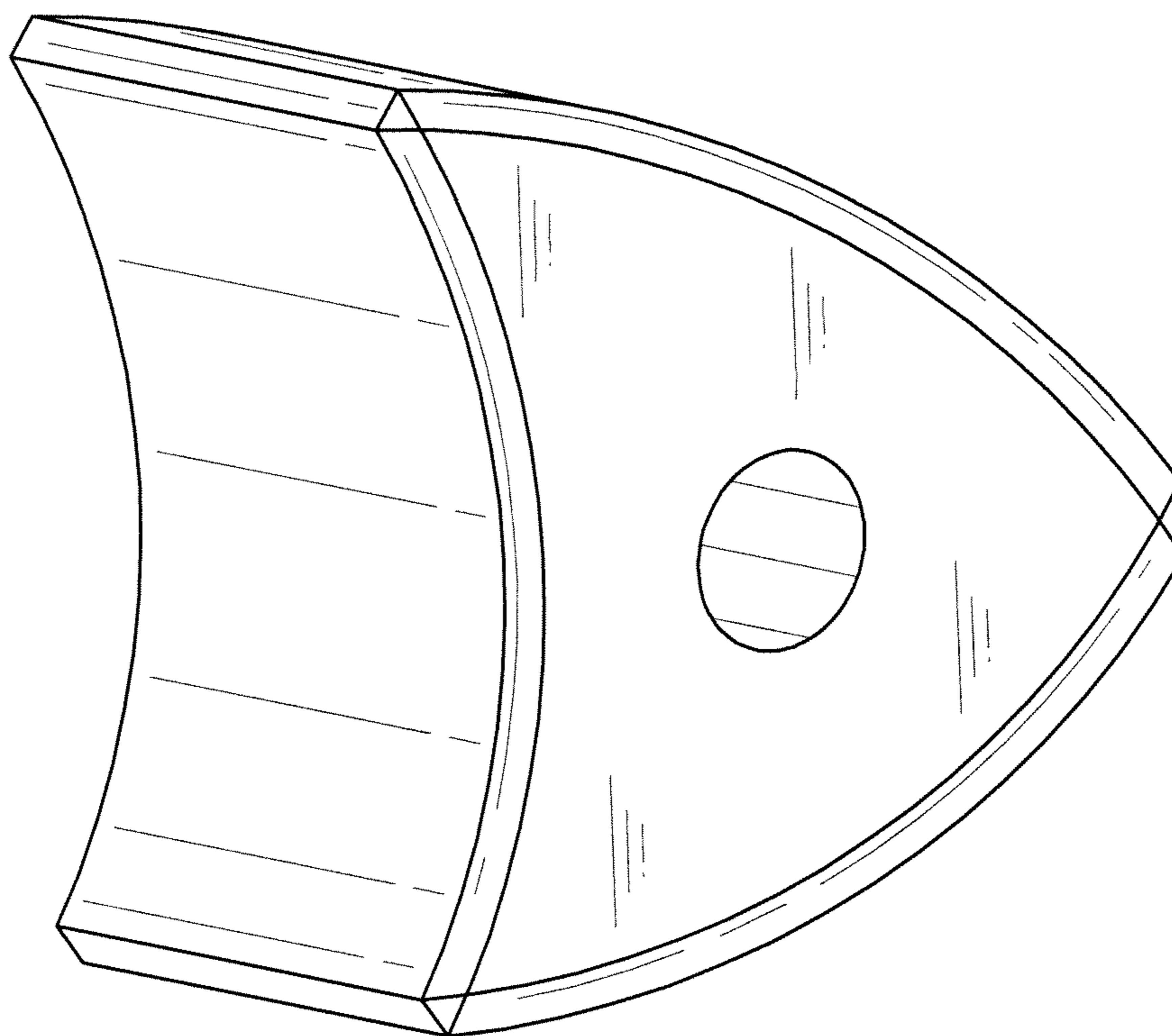




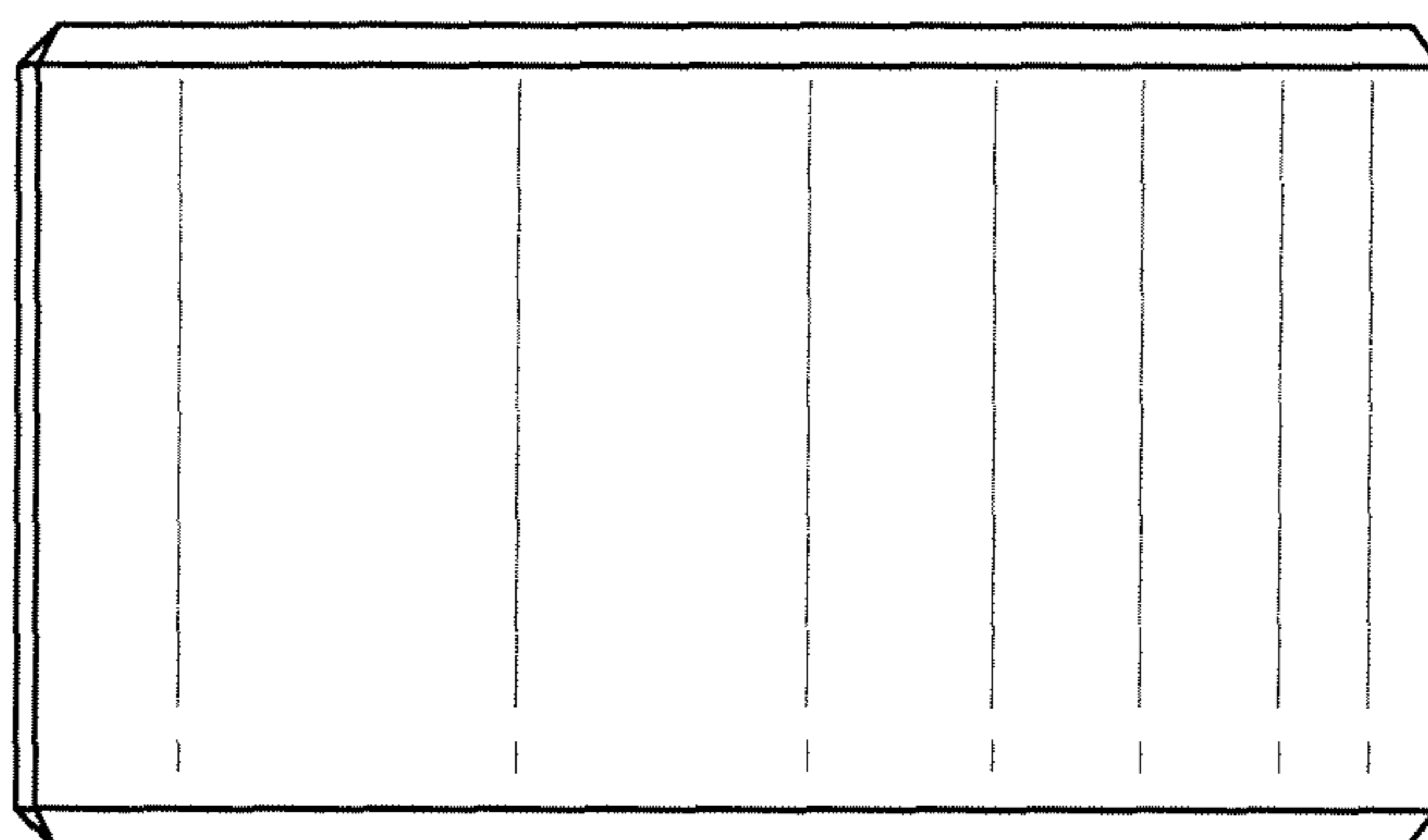
*FIG. 59*



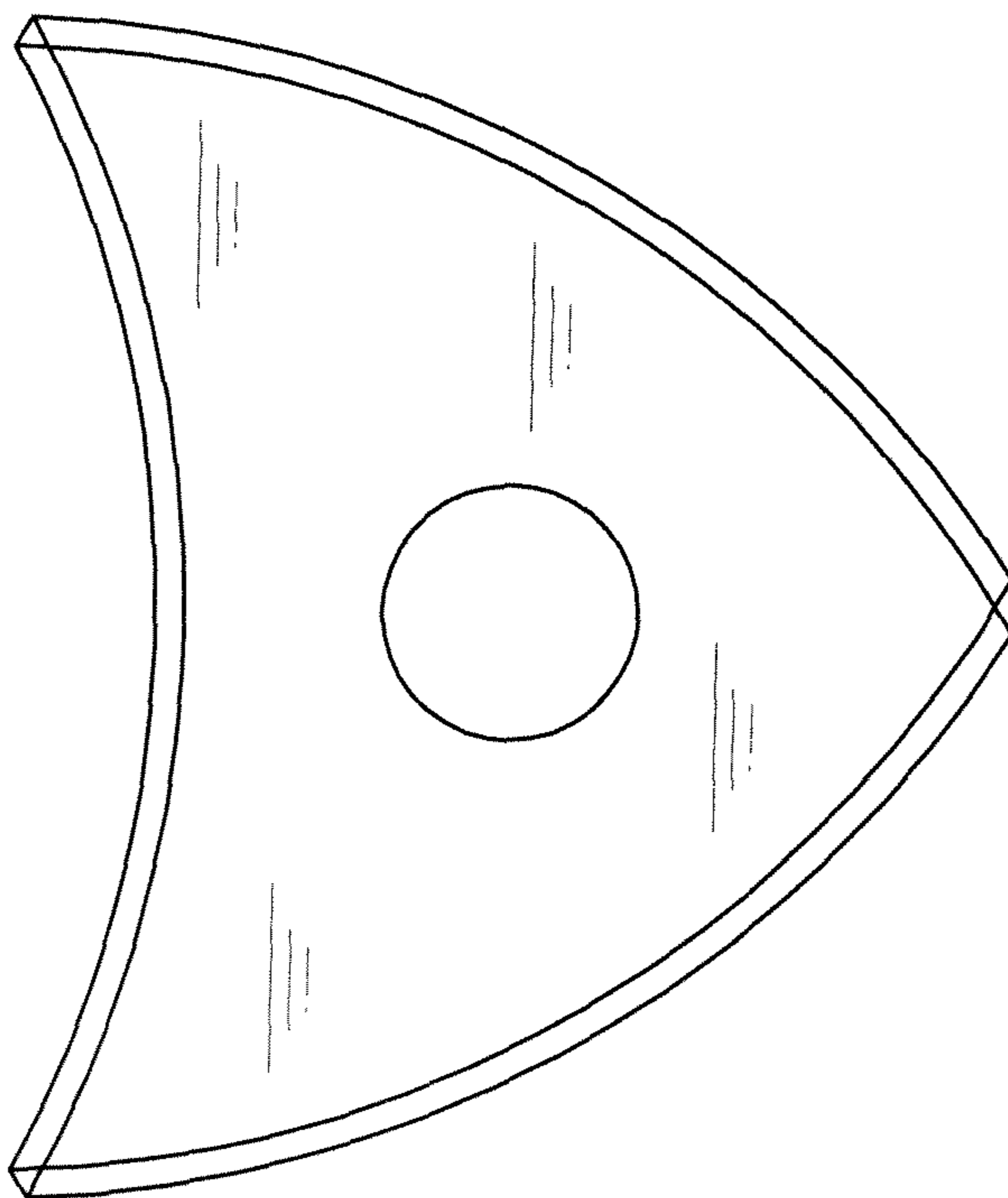
*FIG. 58*



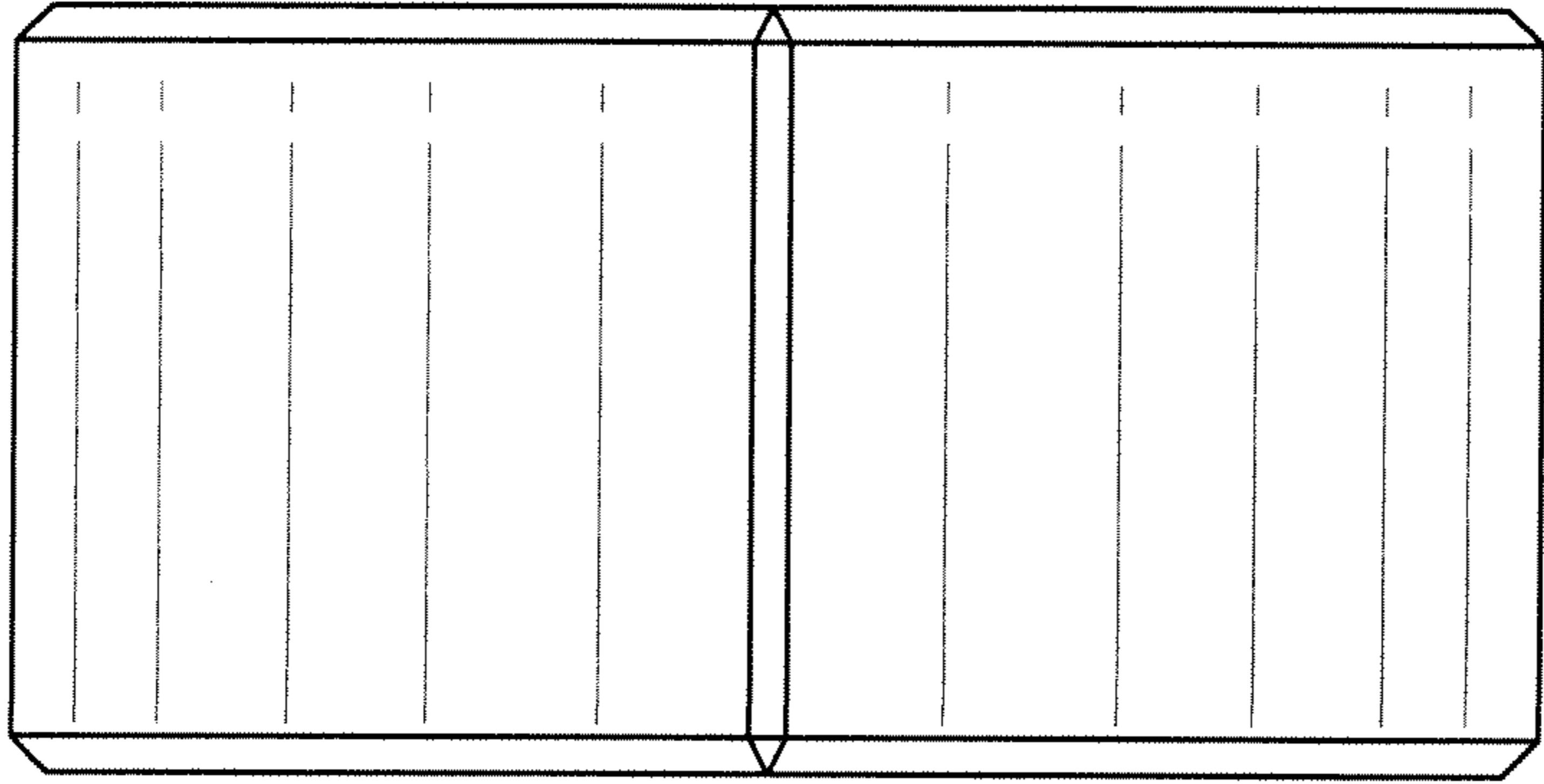
*FIG. 60*



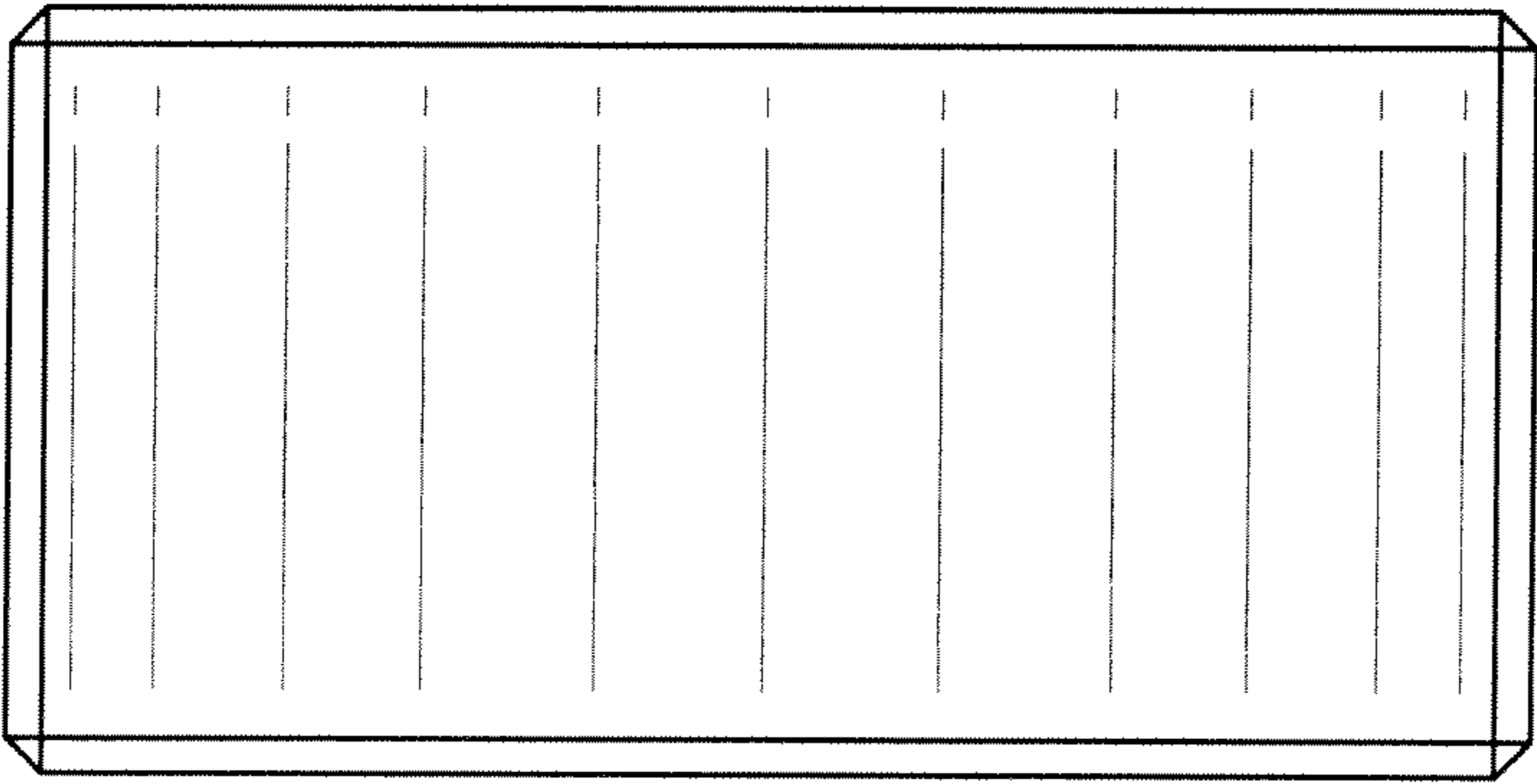
*FIG. 62*



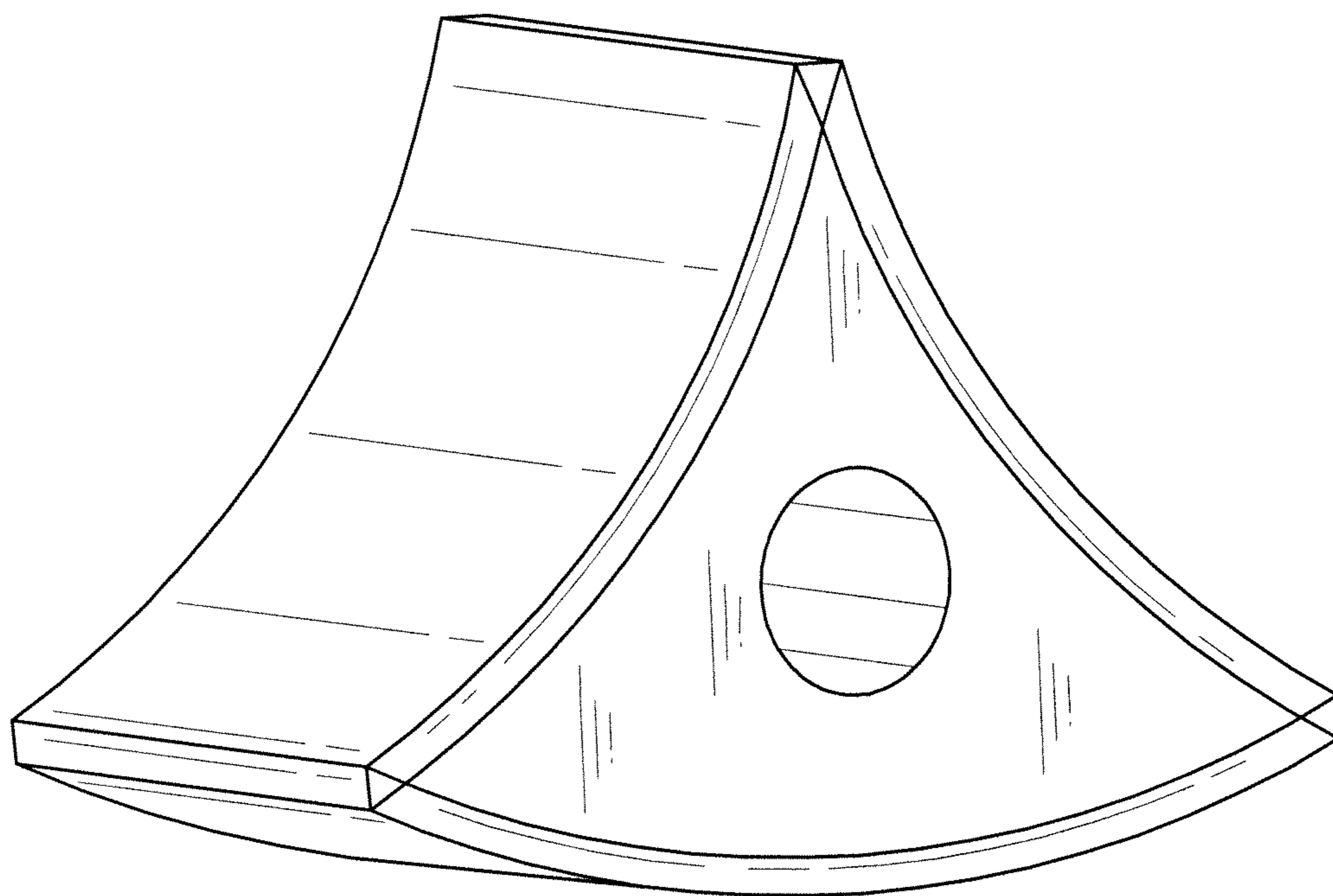
*FIG. 61*



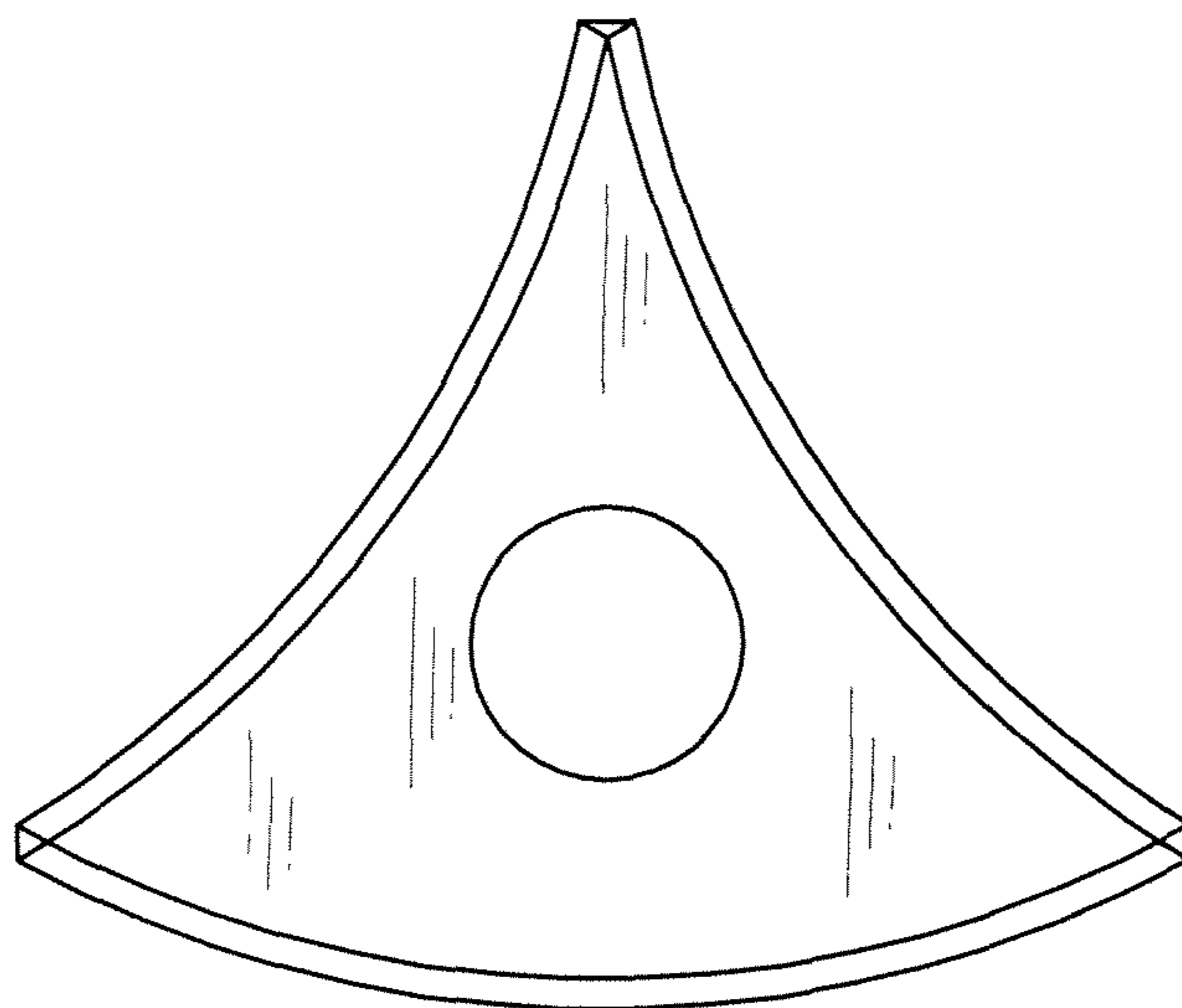
*FIG. 64*



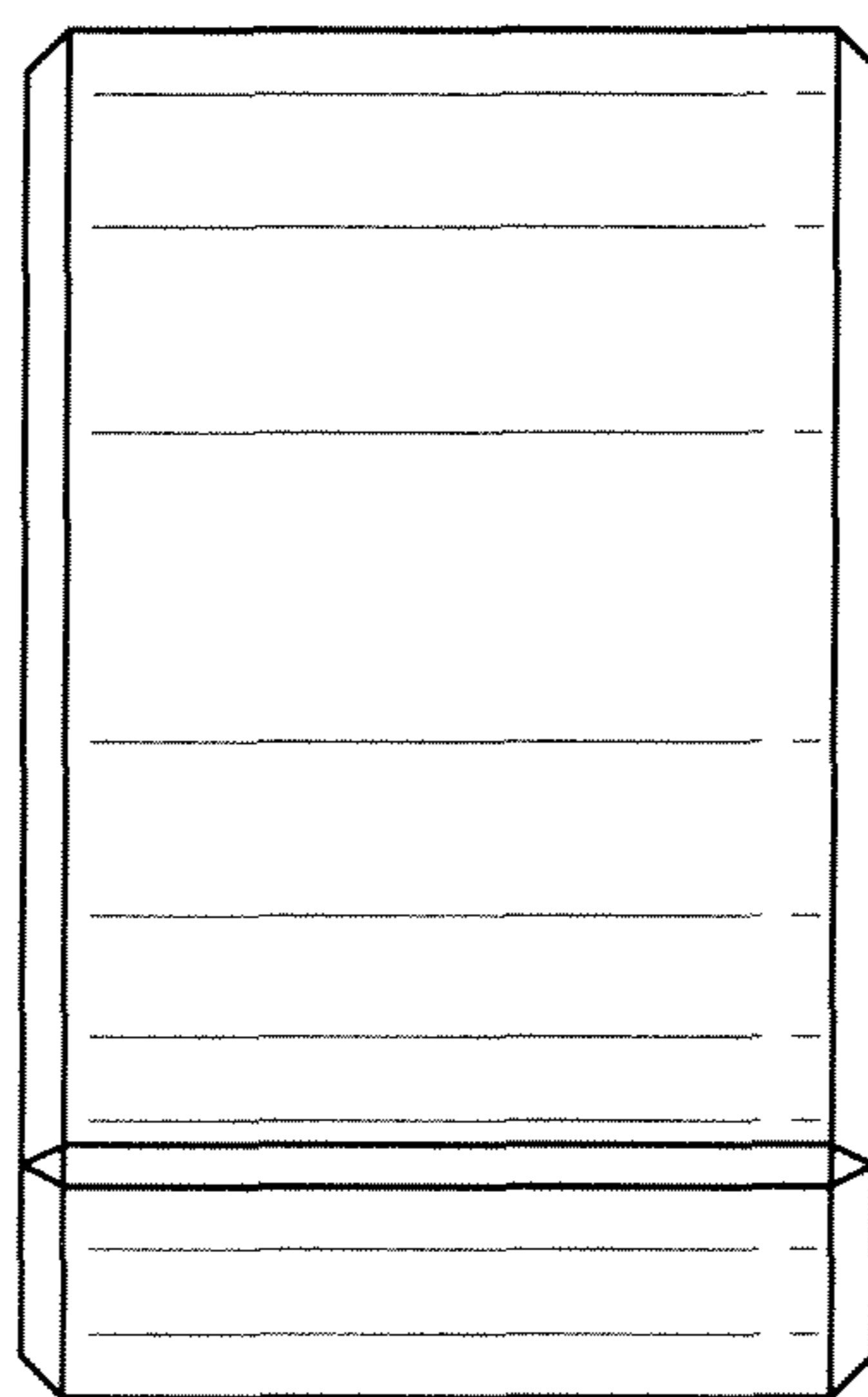
*FIG. 63*



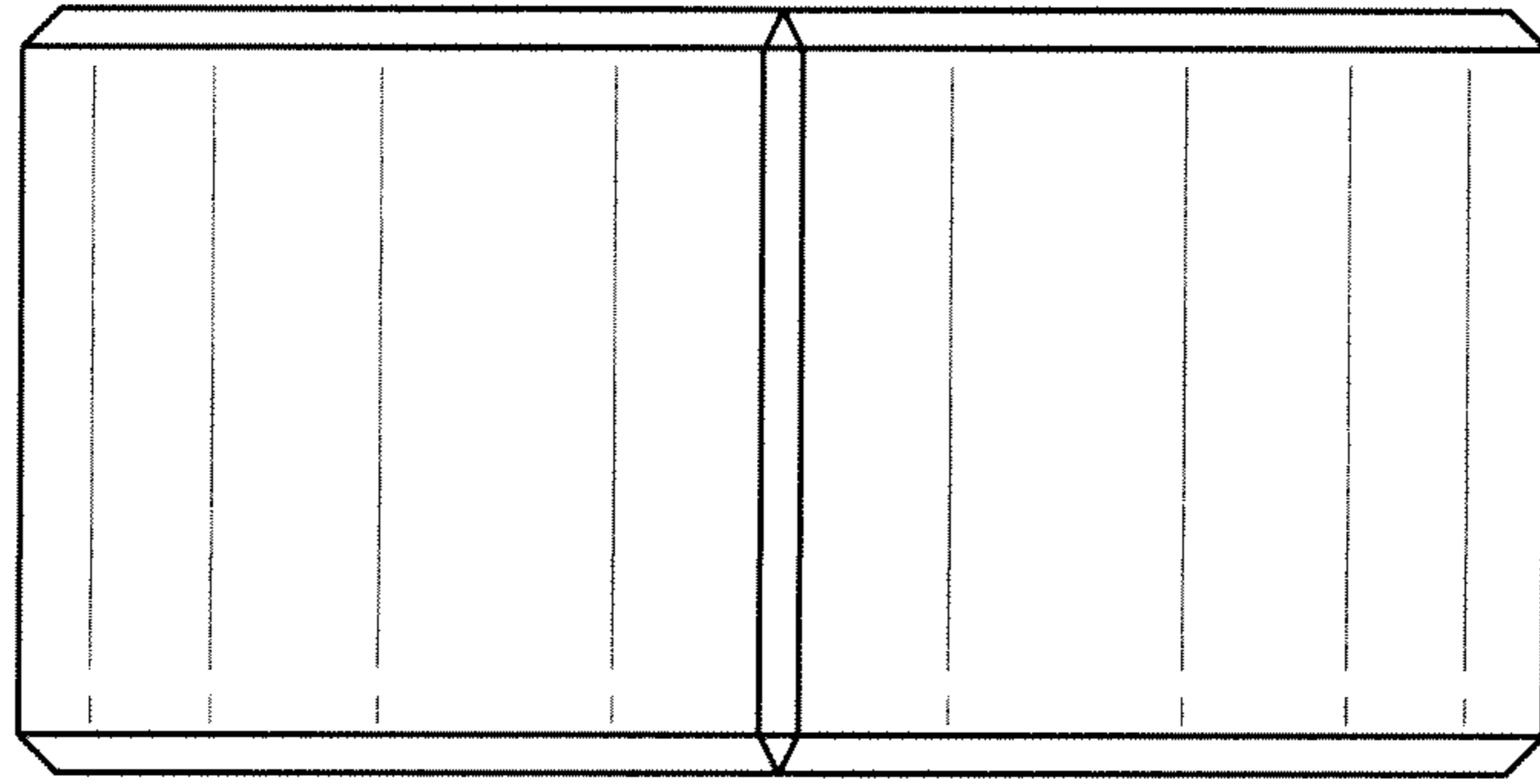
*FIG. 65*



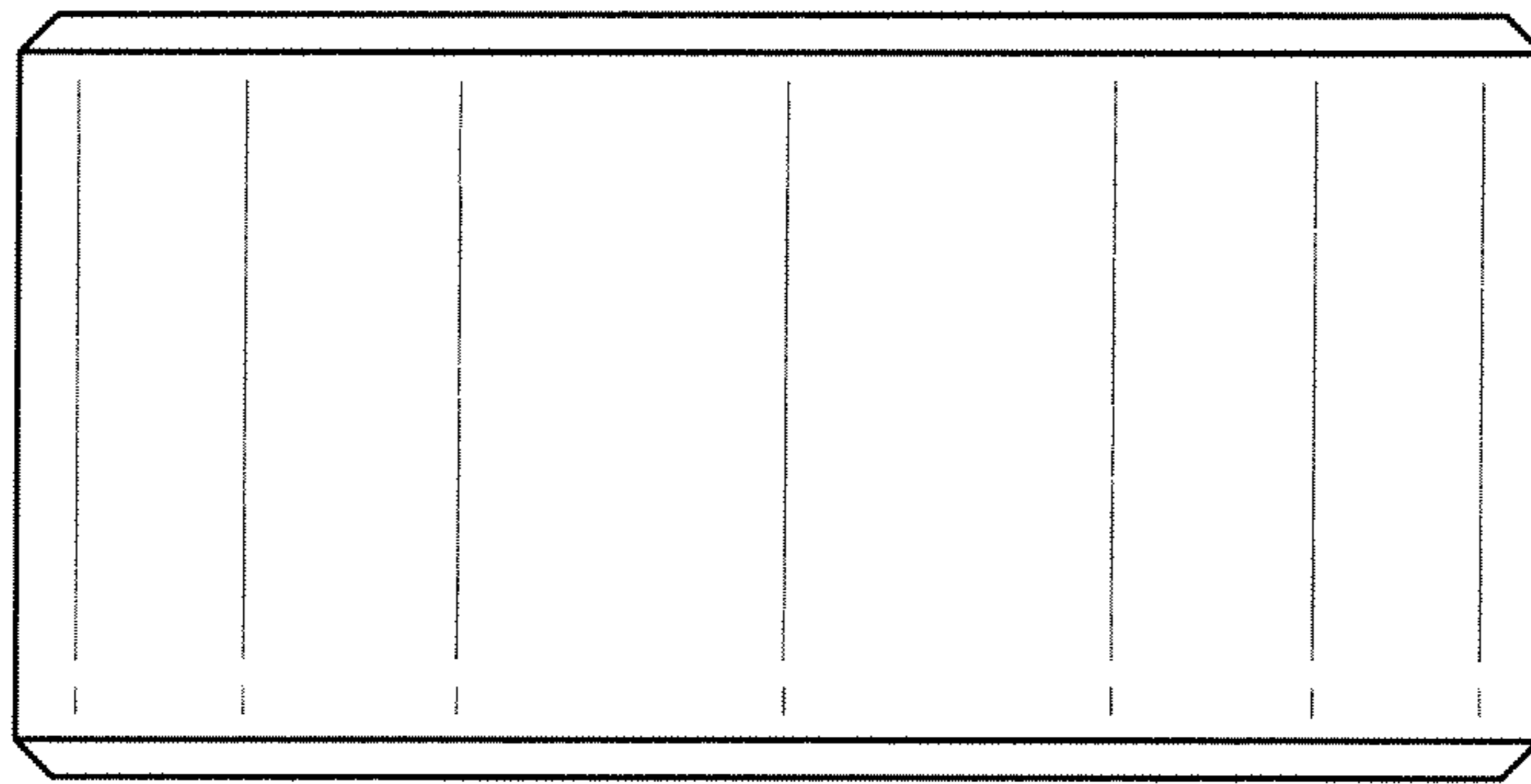
*FIG. 66*



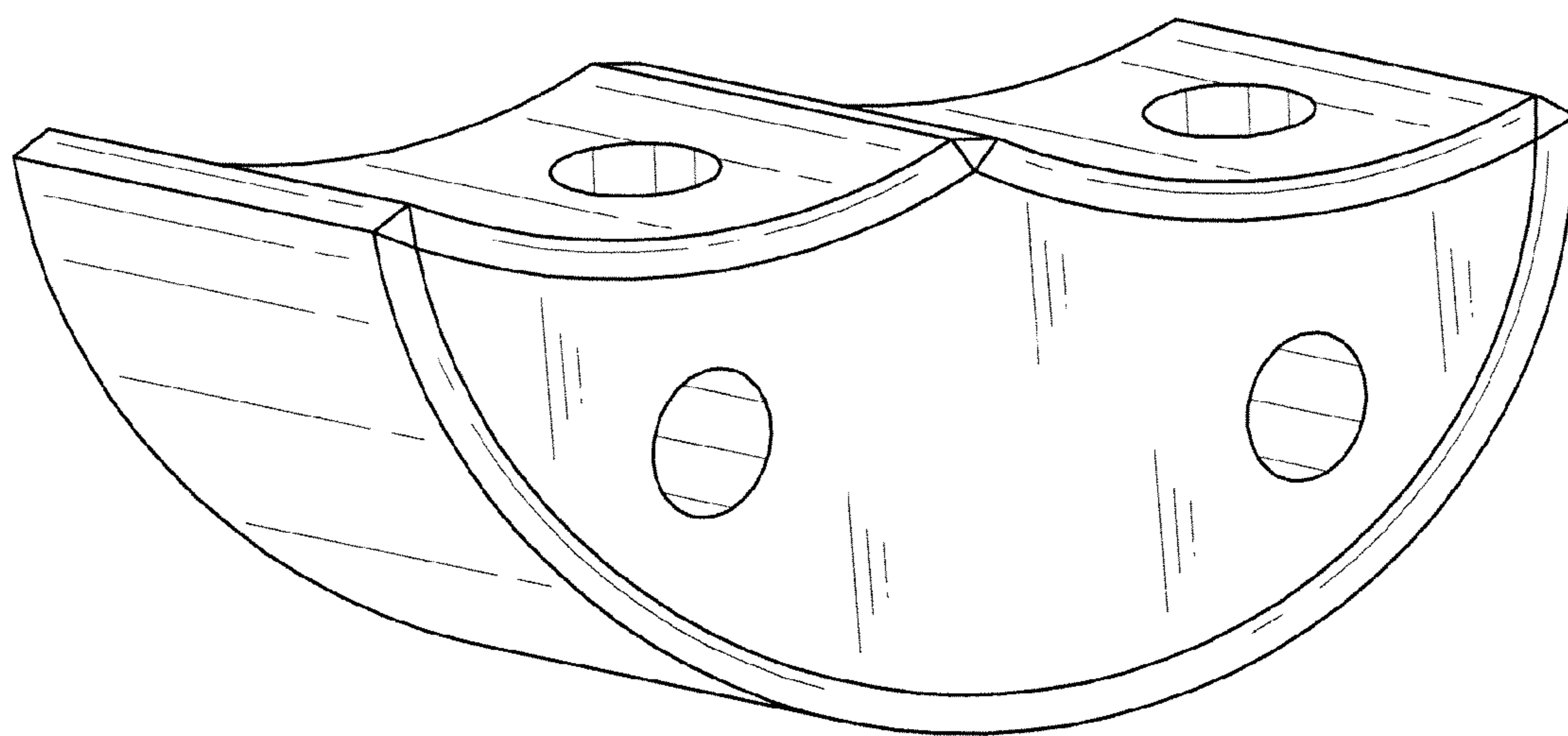
*FIG. 67*



*FIG. 68*

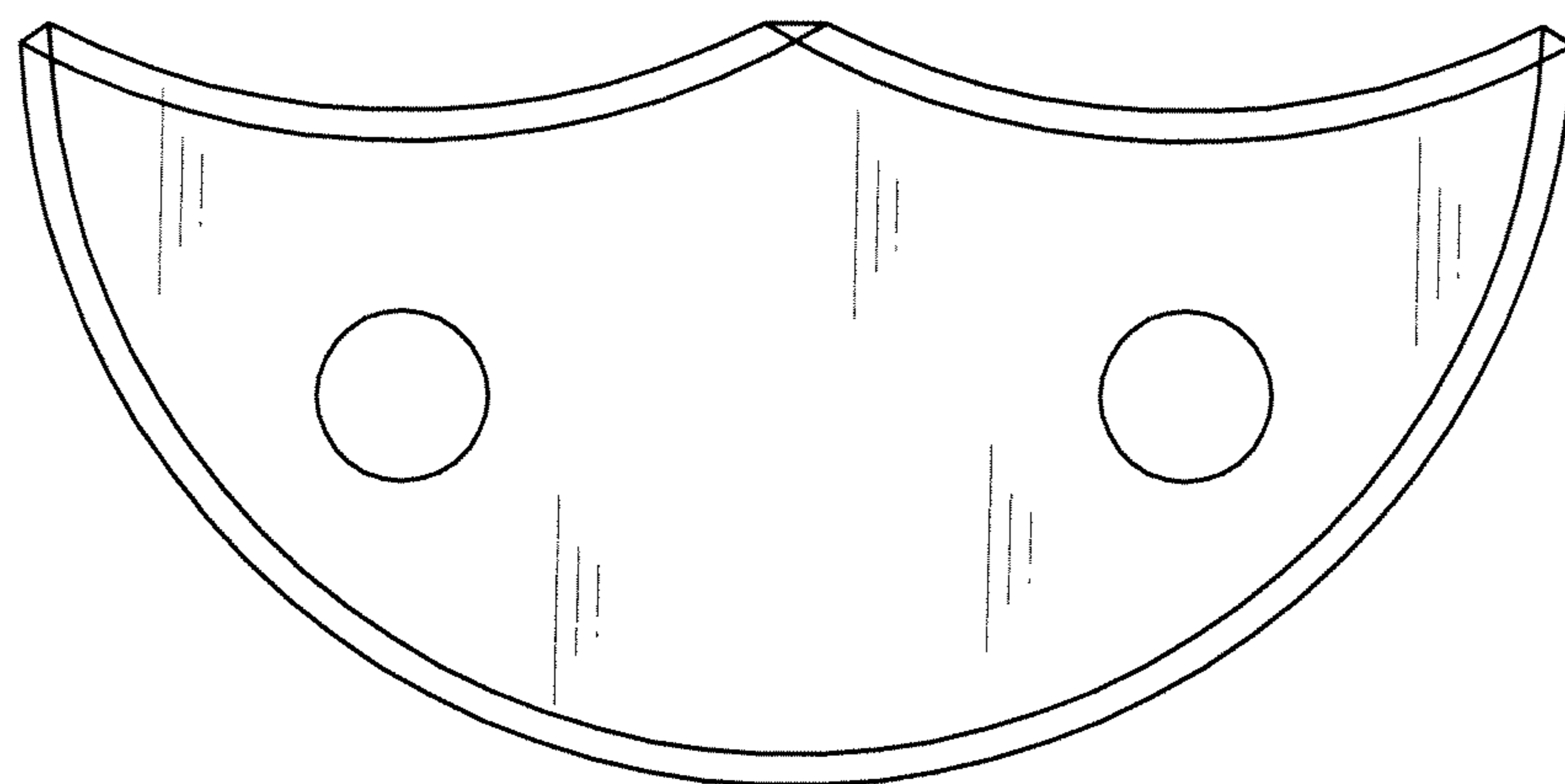


*FIG. 69*

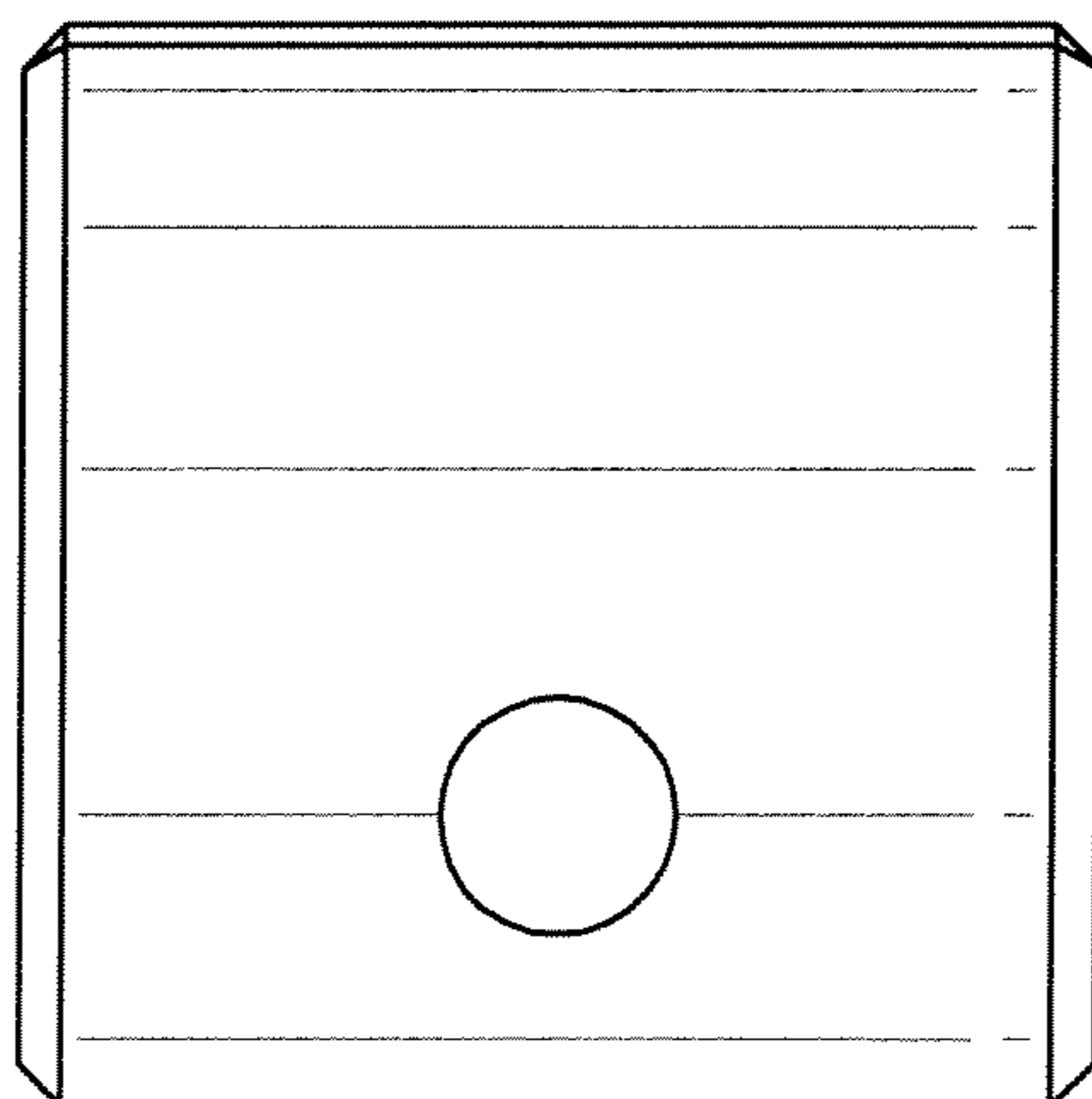


*FIG. 70*

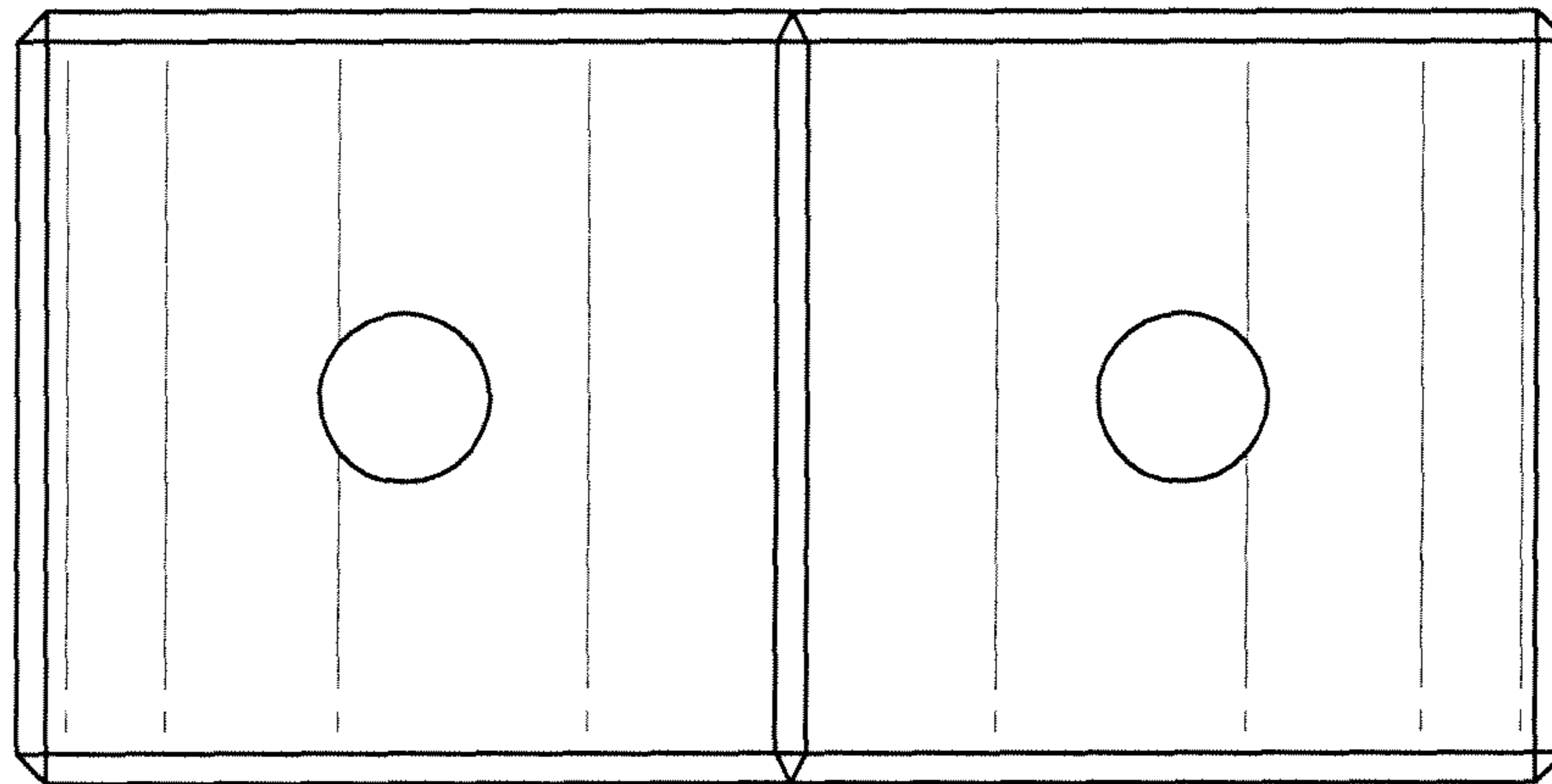




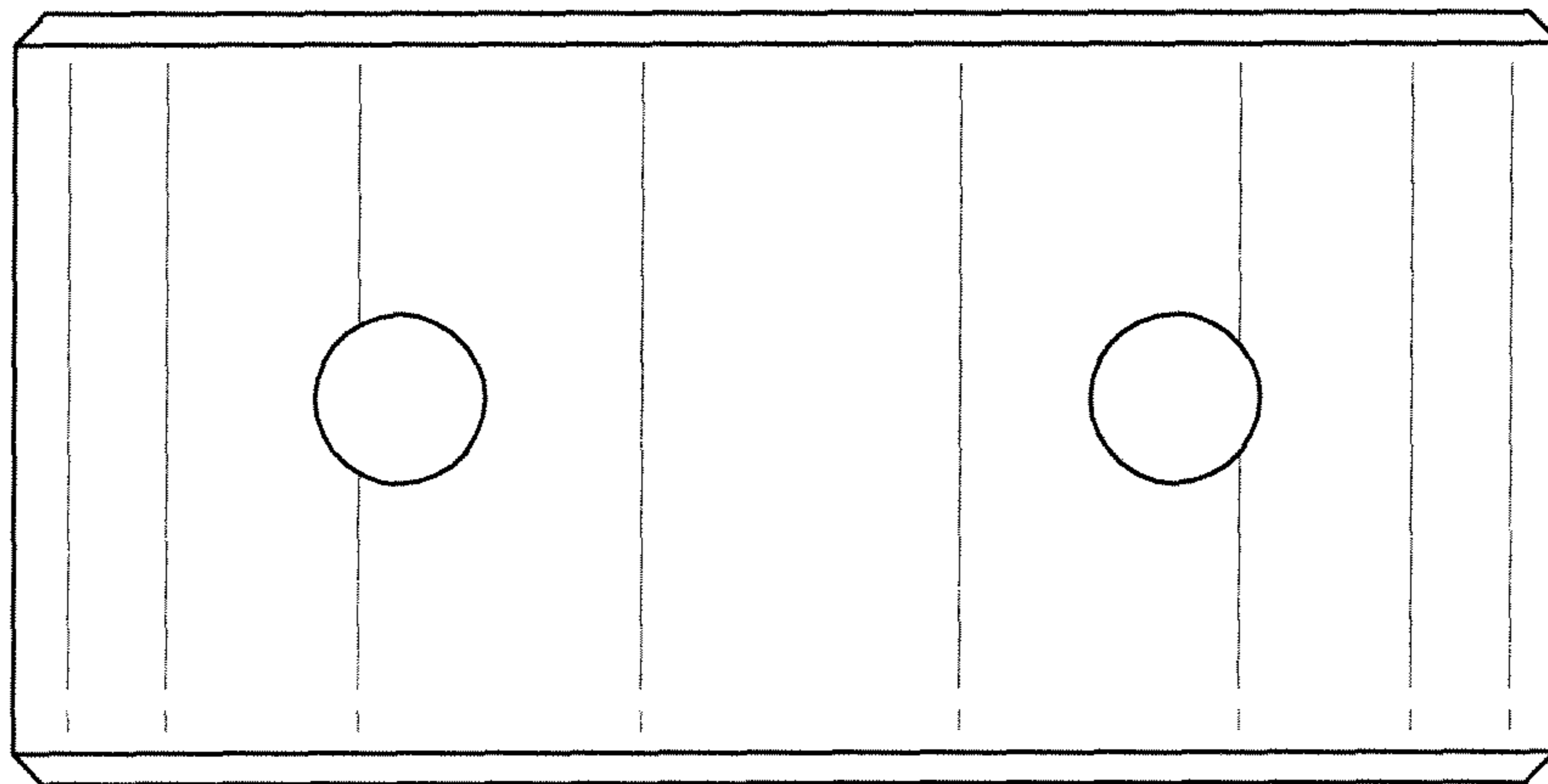
*FIG. 71*



*FIG. 72*



*FIG. 73*



*FIG. 74*

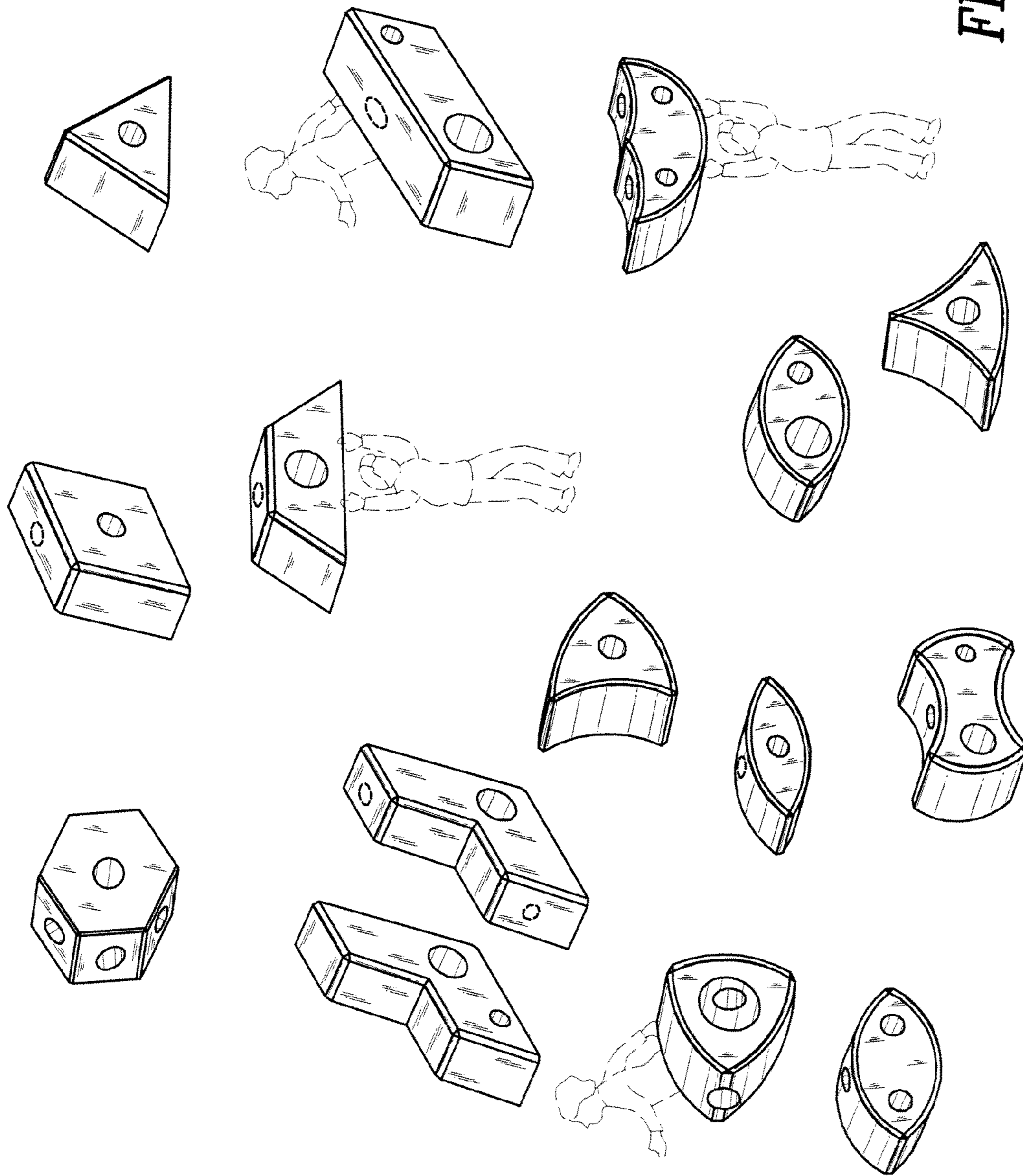


FIG. 75