



US00D697145S

(12) **United States Design Patent**
Wong

(10) **Patent No.:** **US D697,145 S**
(45) **Date of Patent:** **** Jan. 7, 2014**

- (54) **FLYING TOY**
- (71) Applicant: **Spin Master Ltd.**, Toronto (CA)
- (72) Inventor: **Tat Wah Wong**, Shatin (HK)
- (73) Assignee: **Spin Master Ltd.**, Toronto (CA)
- (**) Term: **14 Years**
- (21) Appl. No.: **29/444,420**
- (22) Filed: **Jan. 30, 2013**
- (30) **Foreign Application Priority Data**

Nov. 23, 2012 (CA) 148698

- (51) **LOC (10) Cl.** **21-01**
- (52) **U.S. Cl.**
USPC **D21/436**; D21/442; D21/498
- (58) **Field of Classification Search**
USPC D21/436, 437, 430, 441, 442, 443, 444,
D21/447, 450, 451, 453, 498, 502;
D12/16.1, 319, 320, 325, 326, 327,
D12/328, 329, 345; 244/2, 5, 6, 7 A, 7 R,
244/12.1, 158.1–158.3, 12.2, 17.11, 17.19,
244/17.23, 17.25, 17.27, 17.17, 23 C, 30,
244/31; 446/36, 37, 46–48, 230, 231, 232,
446/233, 236; 280/1.12; D30/160; 180/7.4;
312/352; 119/707

See application file for complete search history.

- (56) **References Cited**
U.S. PATENT DOCUMENTS

2,835,548 A * 5/1958 Baumann 312/352
3,204,891 A * 9/1965 Orville 244/23 R

3,314,628 A *	4/1967	Myers	244/17.17
4,065,873 A *	1/1978	Jones	446/37
D257,270 S *	10/1980	Gabriel	D21/498
D257,271 S *	10/1980	Gabriel	D21/498
4,505,346 A *	3/1985	Mueller	180/7.4
5,115,998 A *	5/1992	Olive	244/31
5,645,248 A *	7/1997	Campbell	244/30
5,683,060 A *	11/1997	Iturralde	244/23 C
6,651,590 B2 *	11/2003	Willinger et al.	119/707
6,843,699 B2 *	1/2005	Davis	446/37
6,976,653 B2 *	12/2005	Perlo et al.	244/12.2
7,108,228 B1 *	9/2006	Marshall	244/158.1
7,273,195 B1 *	9/2007	Golliher	244/17.11
D563,609 S *	3/2008	Gick	D30/160
7,416,466 B2 *	8/2008	Isawa	446/37
D588,209 S *	3/2009	Shimizu	D21/502
8,033,498 B2 *	10/2011	Blackburn	244/17.23
8,109,802 B2 *	2/2012	Chui et al.	446/36
2007/0012818 A1 *	1/2007	Miyazawa et al.	244/17.25

* cited by examiner

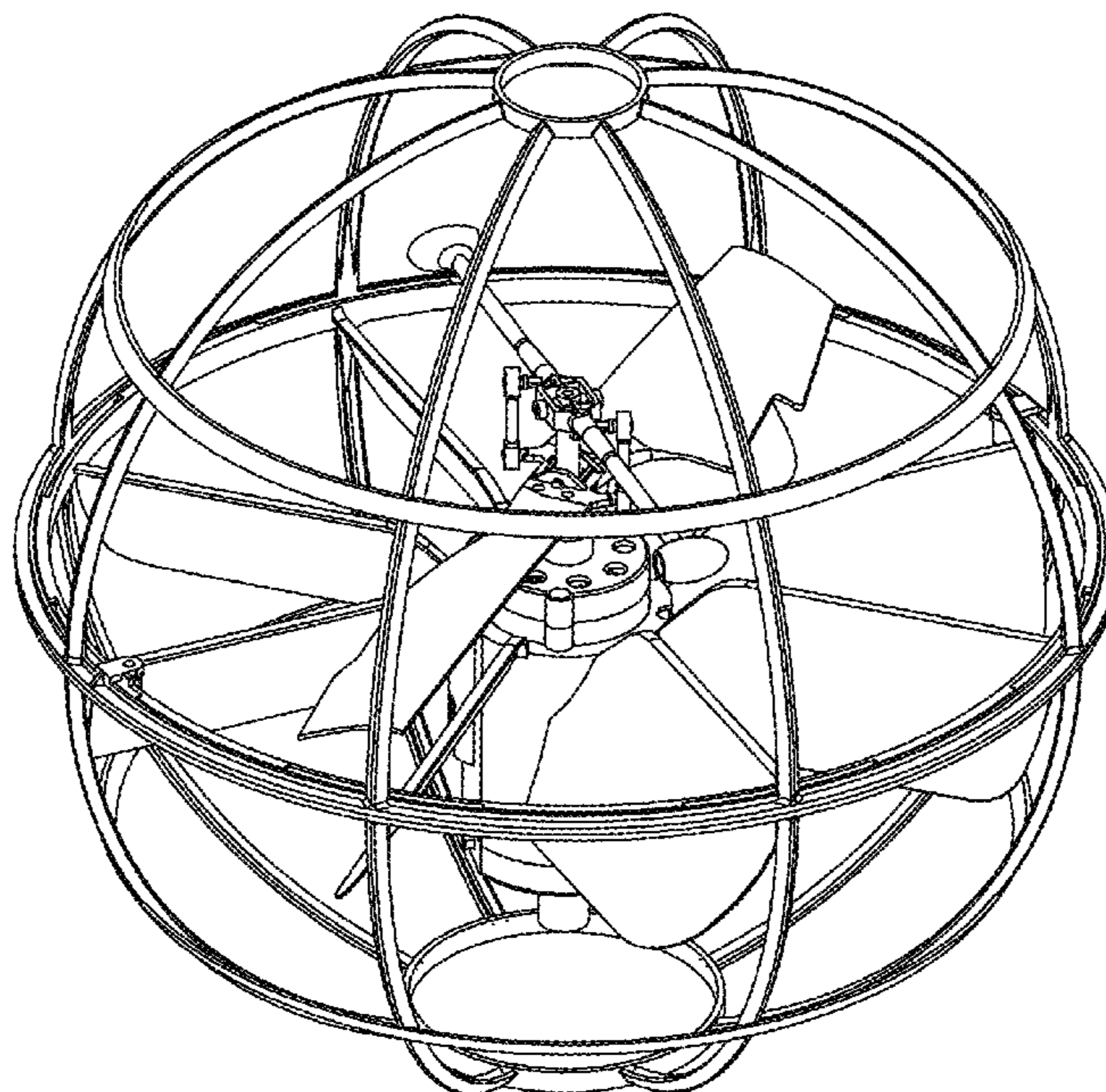
Primary Examiner — Caron D Veynar
Assistant Examiner — Martie K Holtje
(74) *Attorney, Agent, or Firm* — Harris Beach PLLC

(57) **CLAIM**
The ornamental design for a flying toy, as shown and described.

DESCRIPTION

FIG. 1 is a perspective view of the flying toy;
FIG. 2 is a front view of the flying toy shown in FIG. 1;
FIG. 3 is a rear view of the flying toy shown in FIG. 1;
FIG. 4 is a right side view of the flying toy shown in FIG. 1;
FIG. 5 is a left side view of the flying toy shown in FIG. 1;
FIG. 6 is a top view of the flying toy shown in FIG. 1; and,
FIG. 7 is a bottom view of the flying toy shown in FIG. 1.

1 Claim, 7 Drawing Sheets



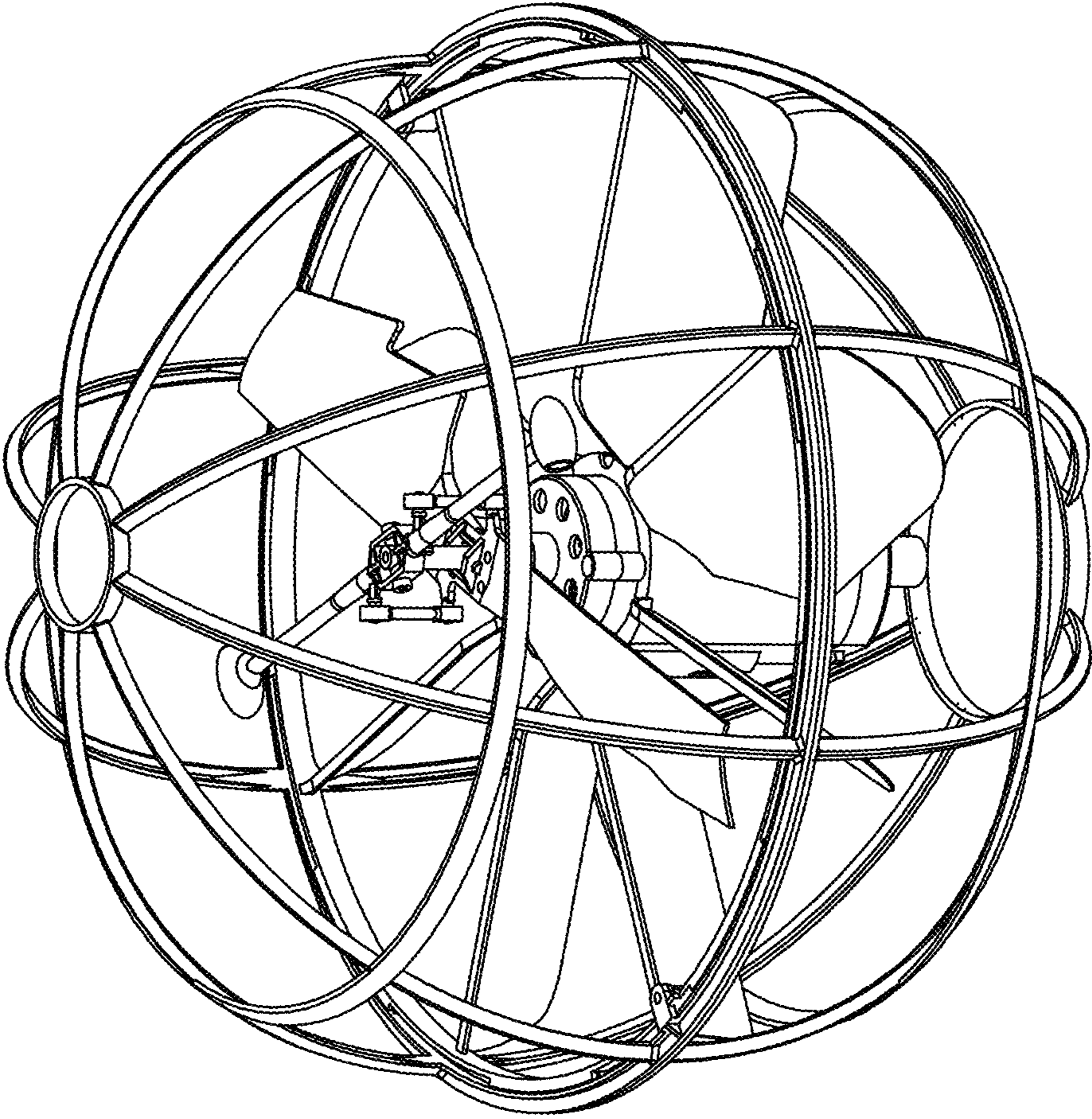


FIG. 1

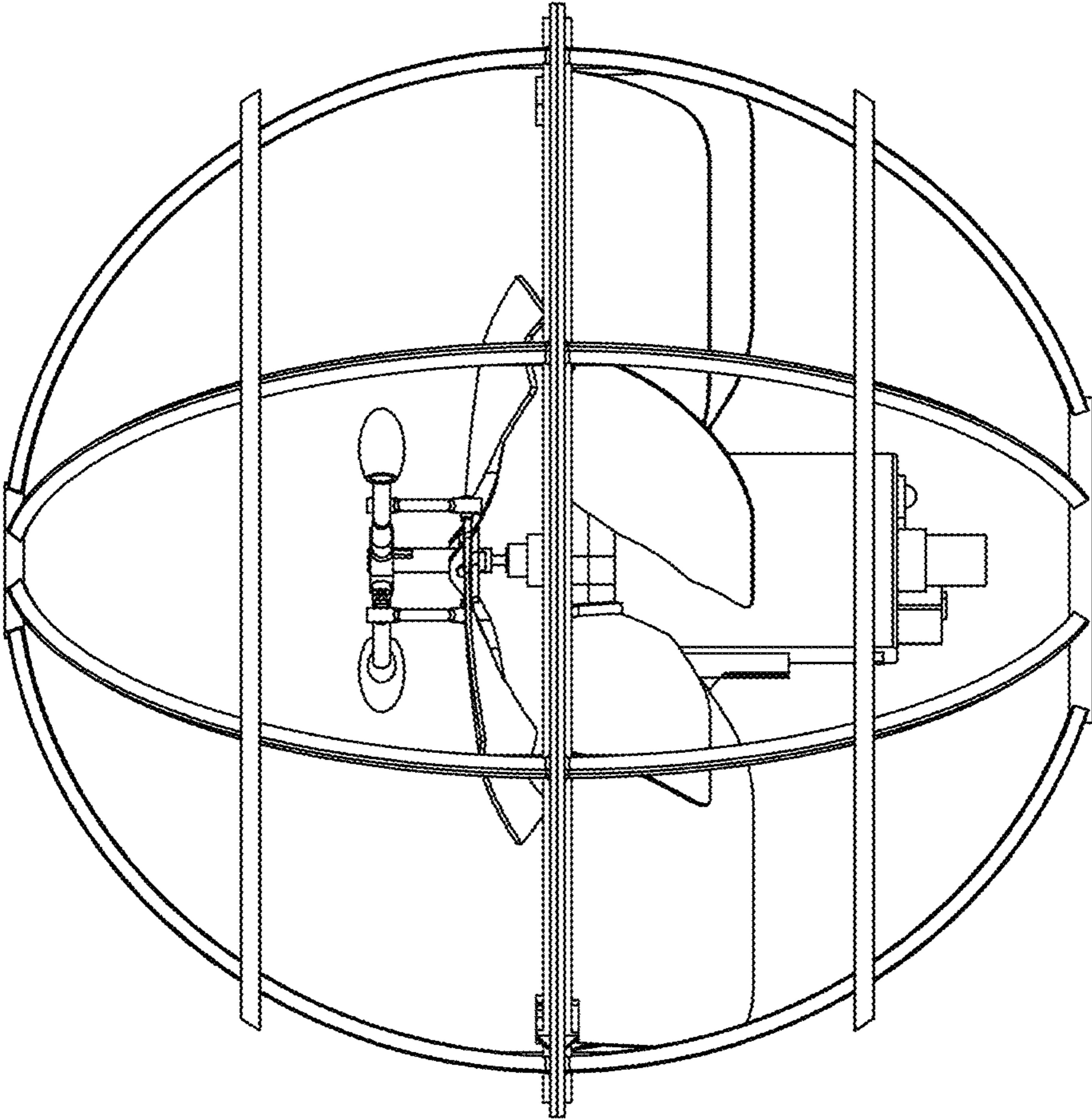


FIG. 2

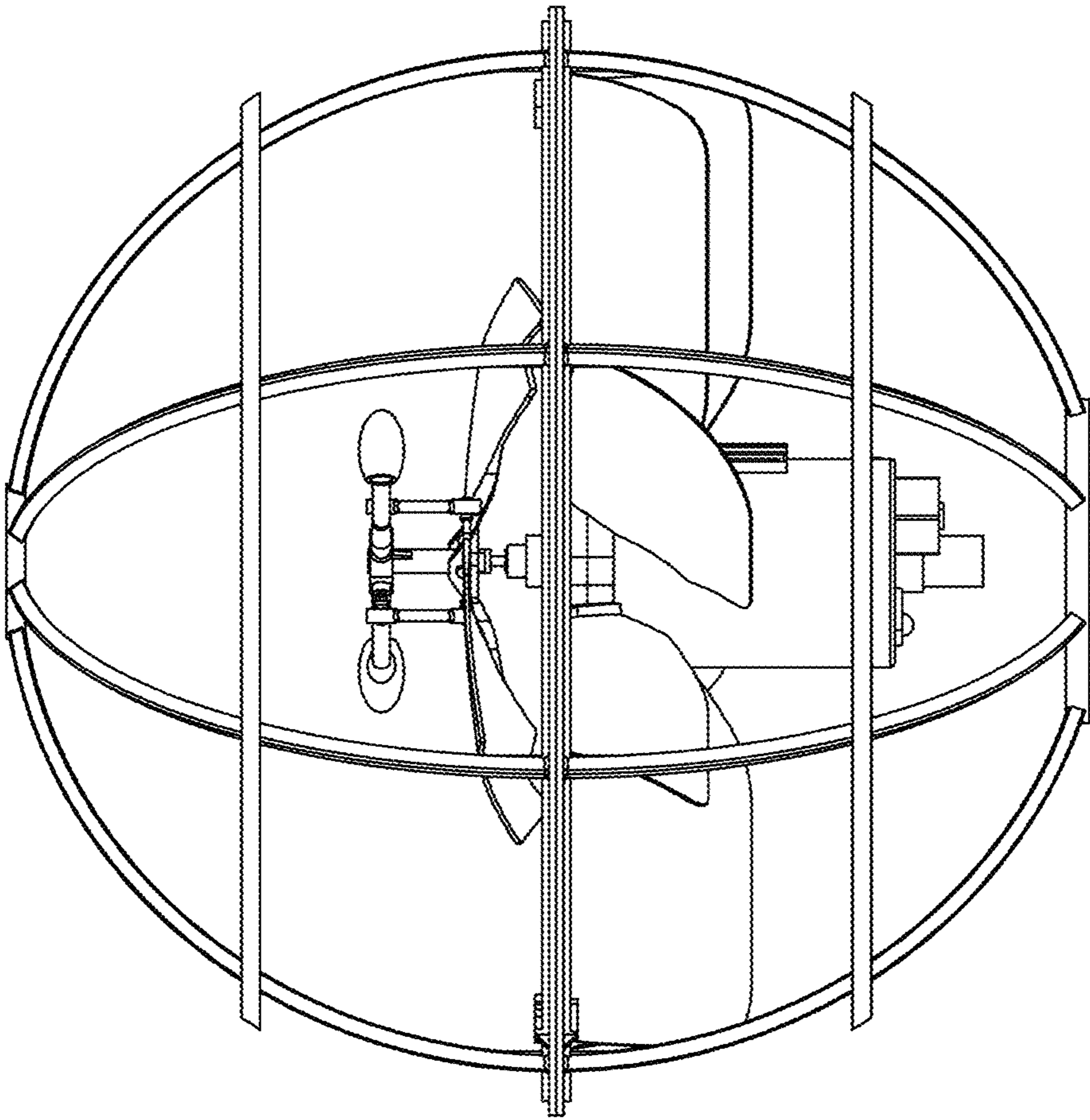


FIG. 3

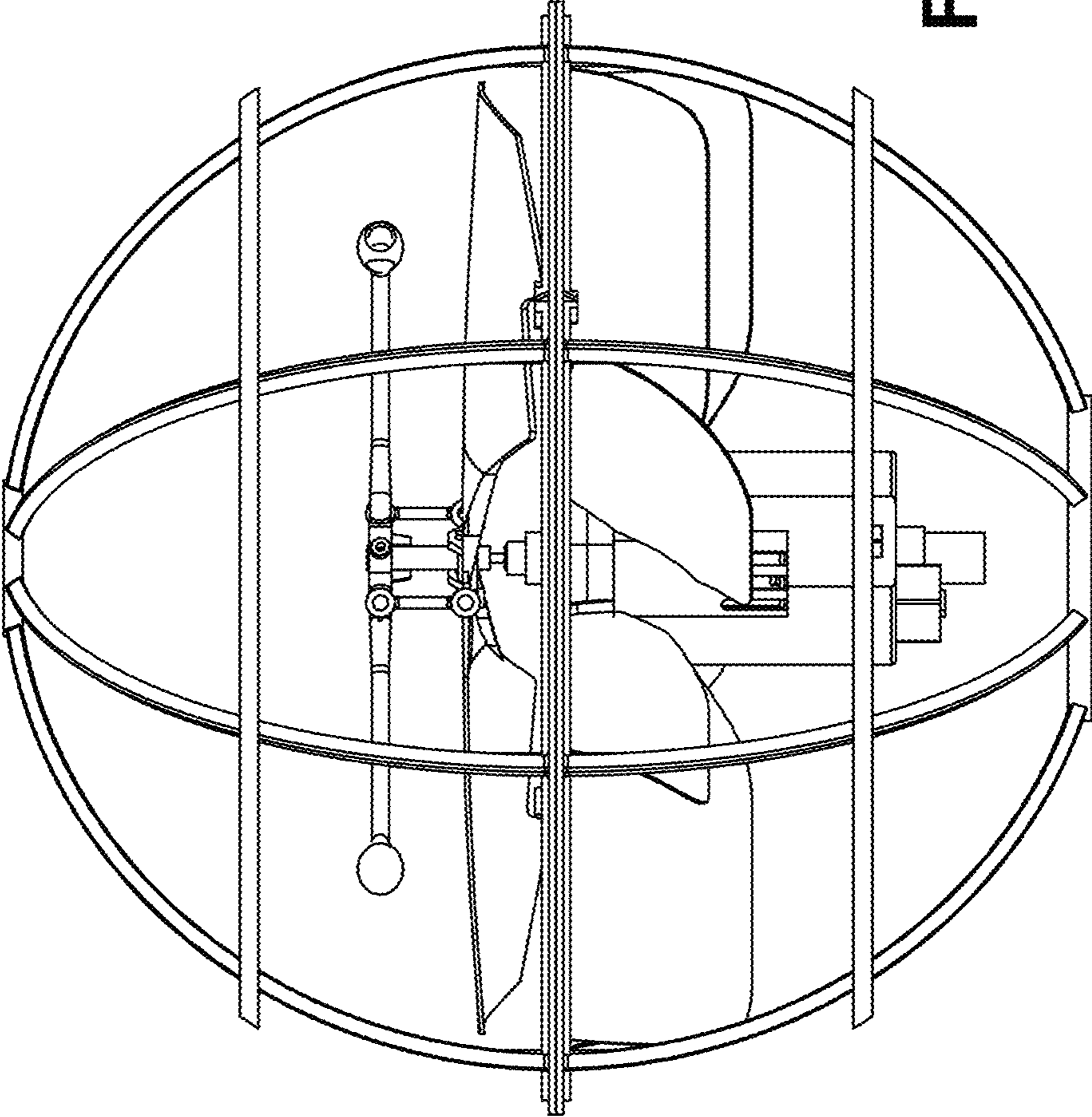


FIG. 4

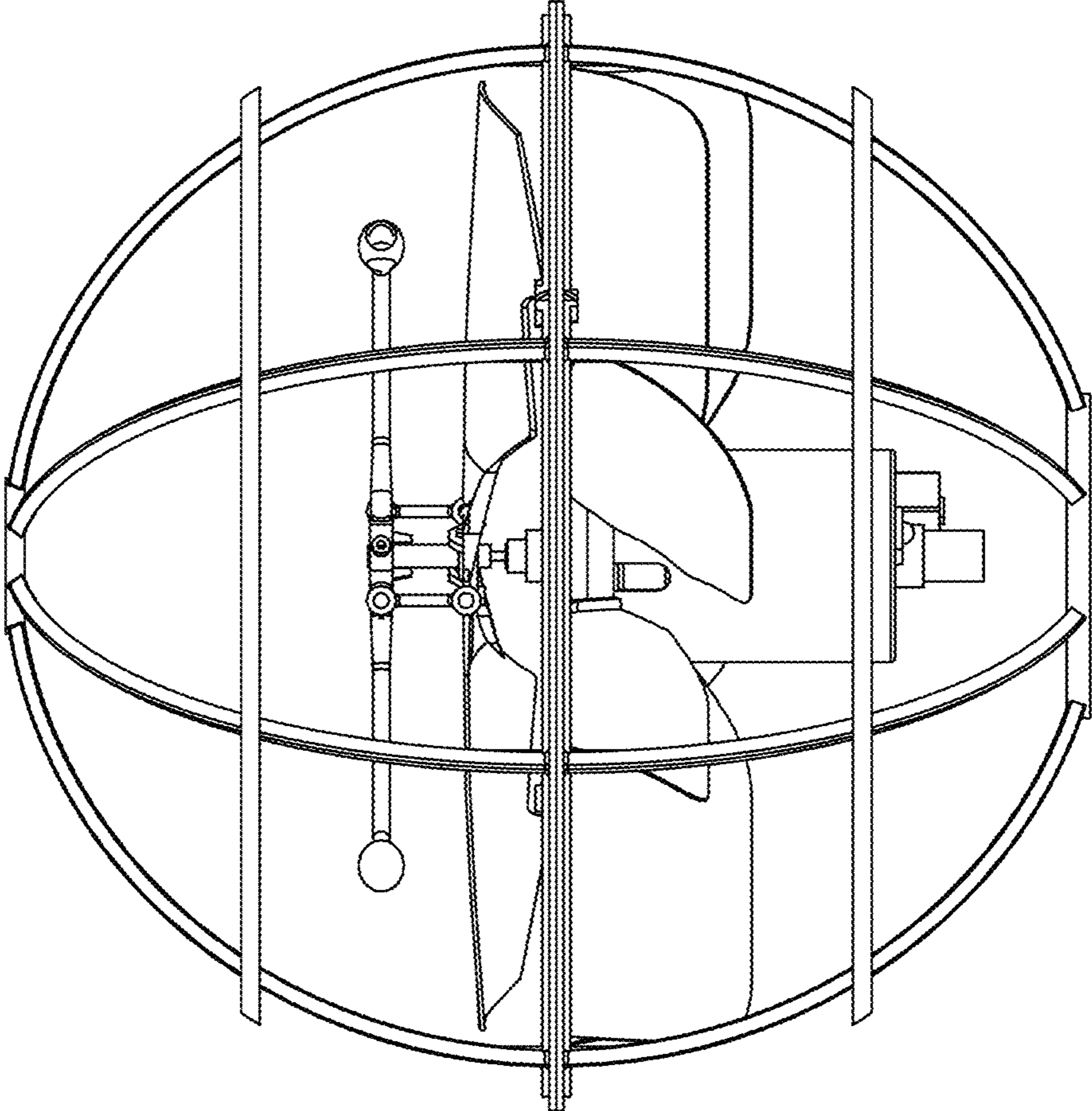


FIG. 5

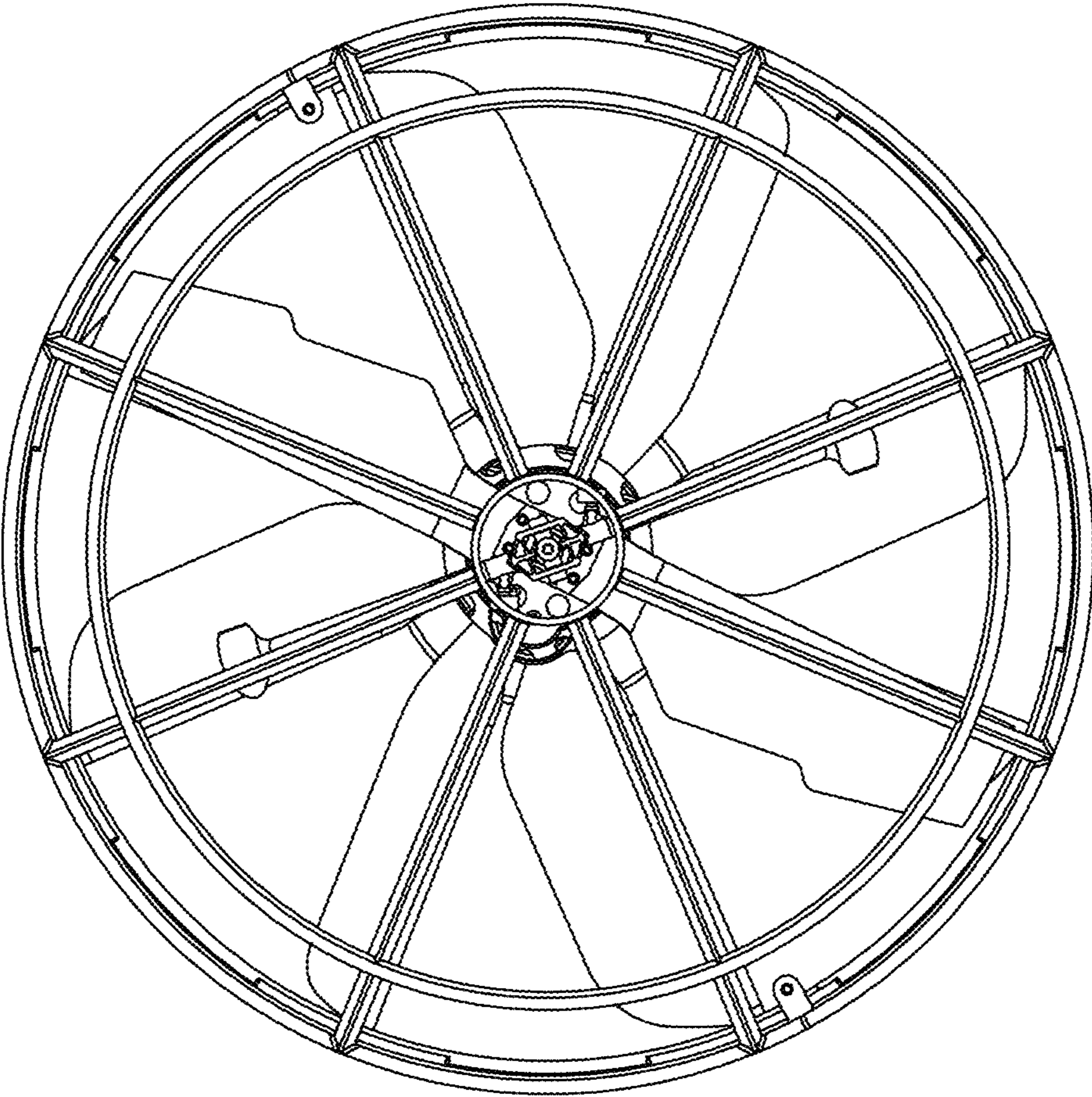


FIG. 6

FIG. 7

