



US00D697144S

(12) **United States Design Patent**  
**Horne**

(10) **Patent No.:** **US D697,144 S**

(45) **Date of Patent:** **\*\* Jan. 7, 2014**

(54) **FLUTED DECK**

(75) Inventor: **Mike Horne**, Clayton (AU)

(73) Assignee: **Madd Gear Pty. Ltd.**, Clayton, Vic (AU)

(\*\*) Term: **14 Years**

(21) Appl. No.: **29/410,795**

(22) Filed: **Jan. 12, 2012**

(30) **Foreign Application Priority Data**

Nov. 4, 2011 (AU) ..... 14964/2011

(51) **LOC (10) Cl.** ..... **21-01**

(52) **U.S. Cl.**  
USPC ..... **D21/423**

(58) **Field of Classification Search**  
USPC ..... D21/419, 421, 423, 426, 769, 760, 765,  
D21/771, 803; D12/1, 8; 280/11.27, 14.21,  
280/14.25, 14.26, 14.28, 21.1, 28.16,  
280/87.041, 87.042, 87.05, 263, 288.1,  
280/288.2, 288.4, 200, 214, 610, 809;  
180/180, 181; 441/55

See application file for complete search history.

(56) **References Cited**

**U.S. PATENT DOCUMENTS**

2,486,689 A \* 11/1949 Tibores et al. .... 280/87.041  
D222,158 S \* 10/1971 Noches ..... D21/765  
3,620,547 A \* 11/1971 Vaverek ..... 280/87.042  
4,533,150 A \* 8/1985 Hardy ..... 280/14.28

5,029,661 A \* 7/1991 Wallace et al. .... 180/165  
5,106,331 A \* 4/1992 Lizarazu ..... 441/55  
5,344,177 A \* 9/1994 Rouser et al. .... 280/610  
5,957,471 A \* 9/1999 Weeks ..... 280/18  
D446,273 S \* 8/2001 Natale ..... D21/769  
6,460,868 B2 \* 10/2002 Madrid ..... 280/87.042  
7,871,087 B2 \* 1/2011 Knapton ..... 280/11.27

\* cited by examiner

*Primary Examiner* — Cynthia M Chin

(74) *Attorney, Agent, or Firm* — Troutman Sanders LLP;  
Robert R. Elliott, Jr.

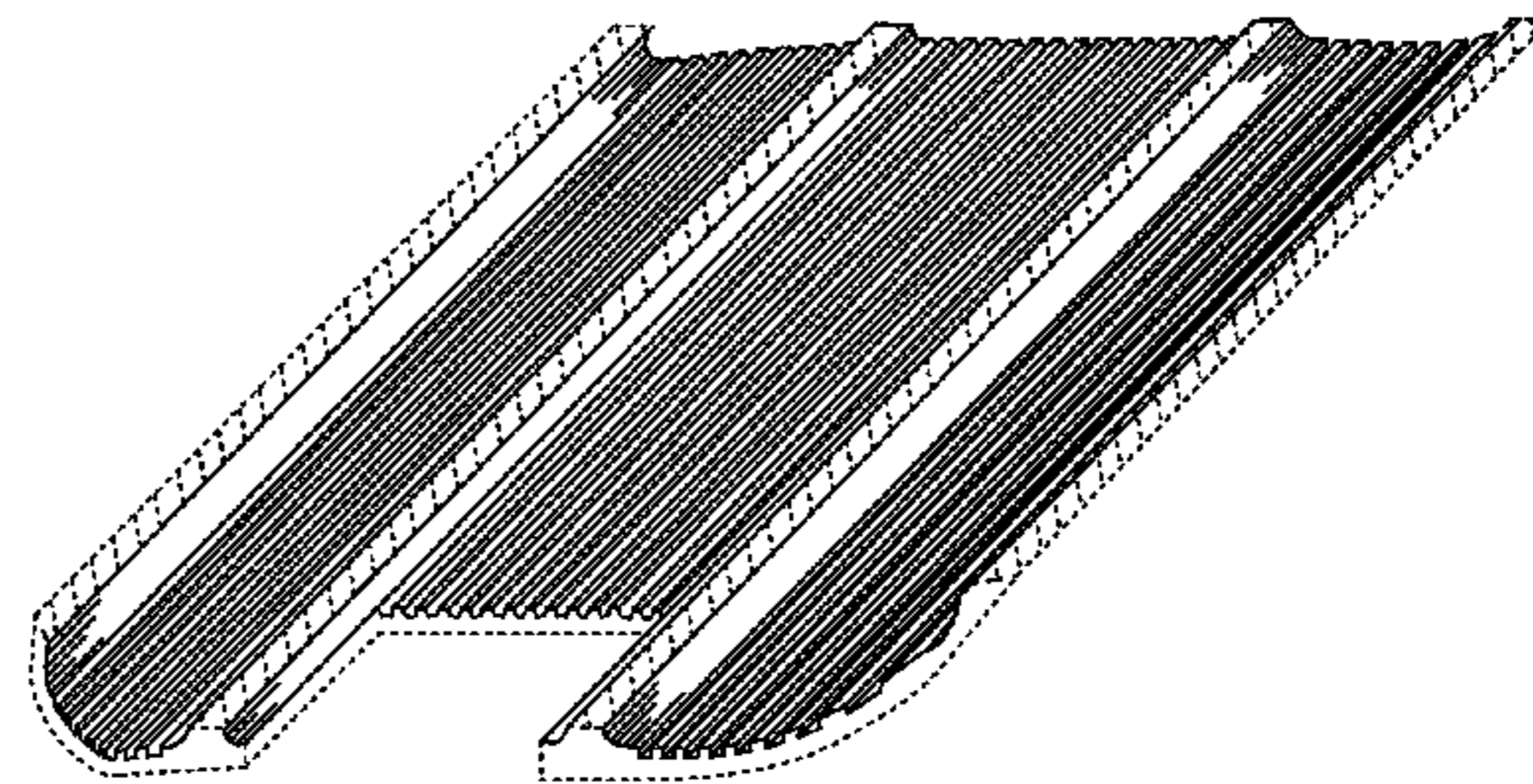
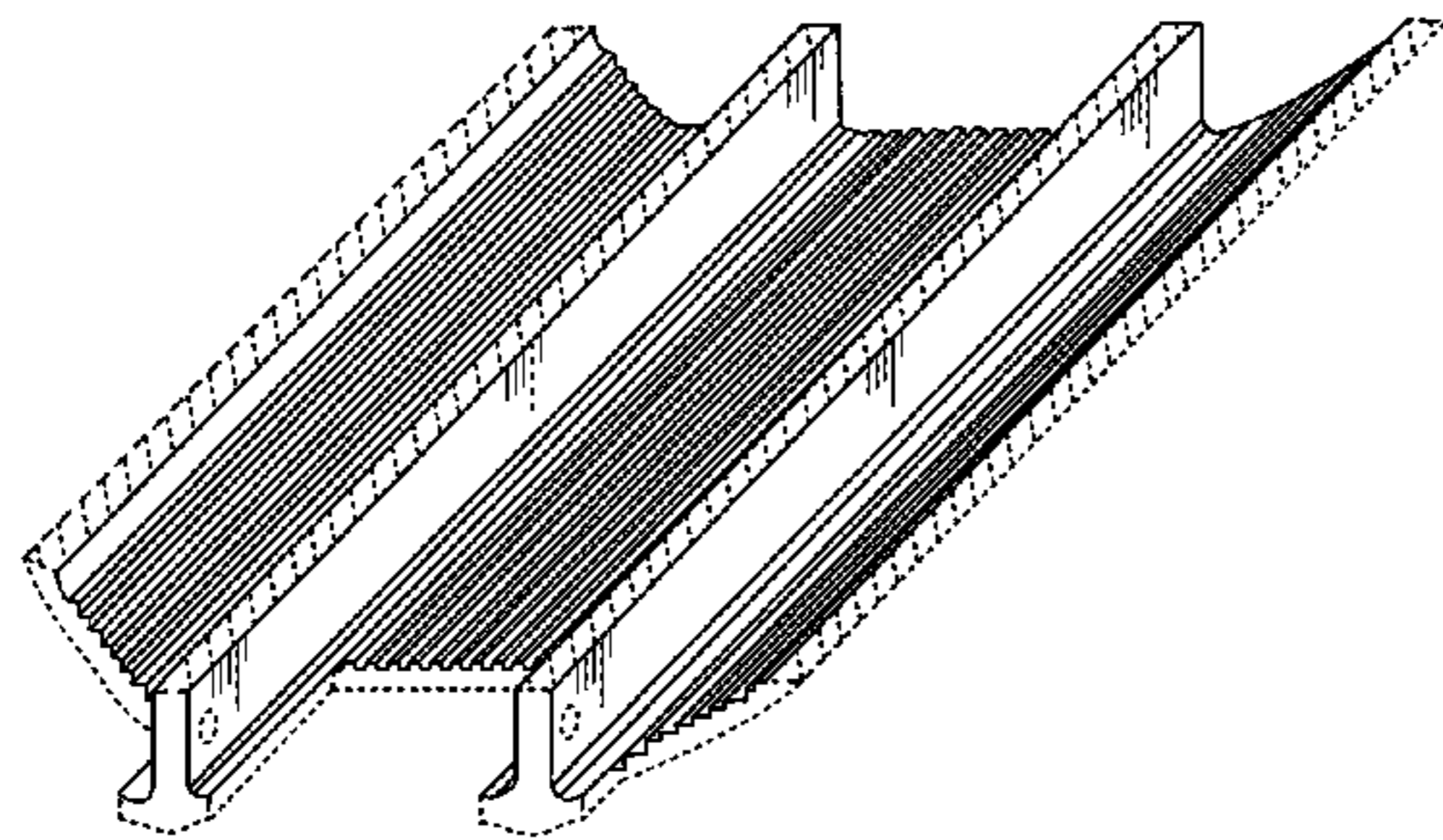
(57) **CLAIM**

The ornamental design for fluted deck, as shown and described.

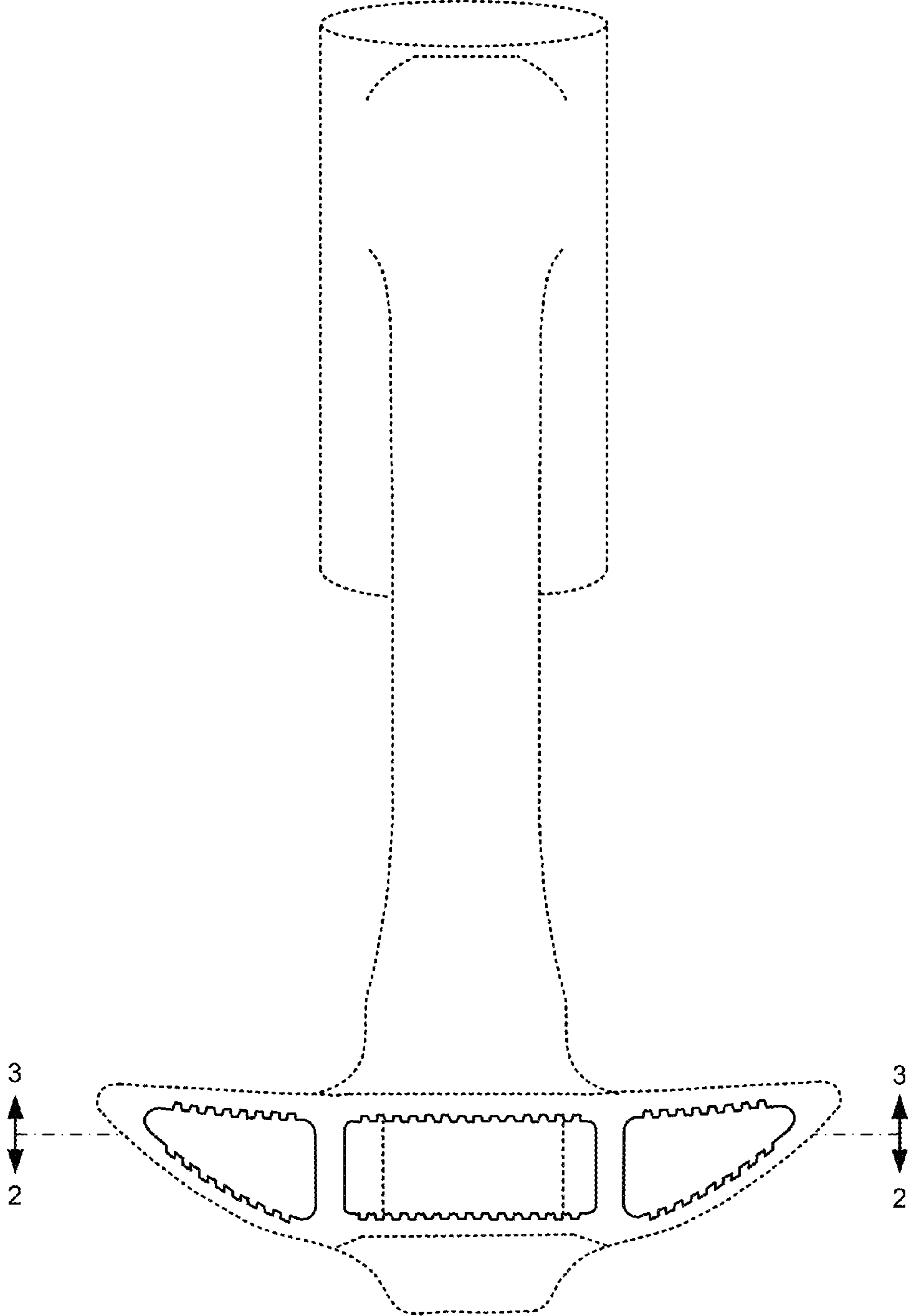
**DESCRIPTION**

FIG. 1 is a rear view of a fluted deck;  
FIG. 2 is a partial, sectional view of the bottom of the fluted deck showing internal features, taken from the line 2-2 in FIGS. 1 and 6;  
FIG. 3 is a partial, sectional view of the top of the fluted deck showing internal features taken from the line 3-3 in FIGS. 1 and 6;  
FIG. 4 is a side view of the fluted deck;  
FIG. 5 is a partial top, detail view of the fluted deck shown in FIG. 3;  
FIG. 6 is a right, rear perspective view of the fluted deck; and,  
FIG. 7 is front view of the fluted deck.  
The broken, dashed lines shown in the various figures are included for the purpose of illustrating environment and do not form any part of the claimed design.

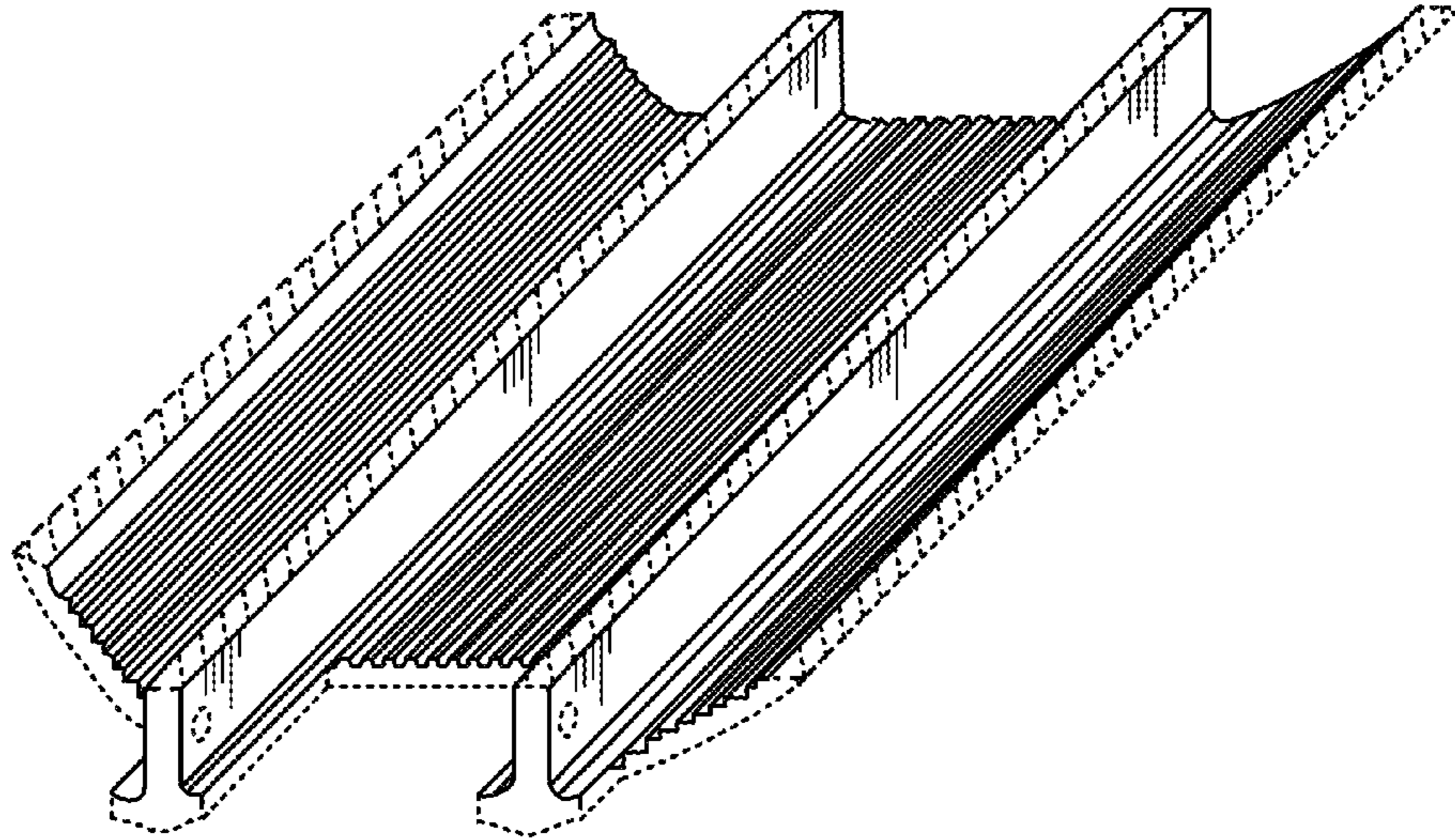
**1 Claim, 6 Drawing Sheets**



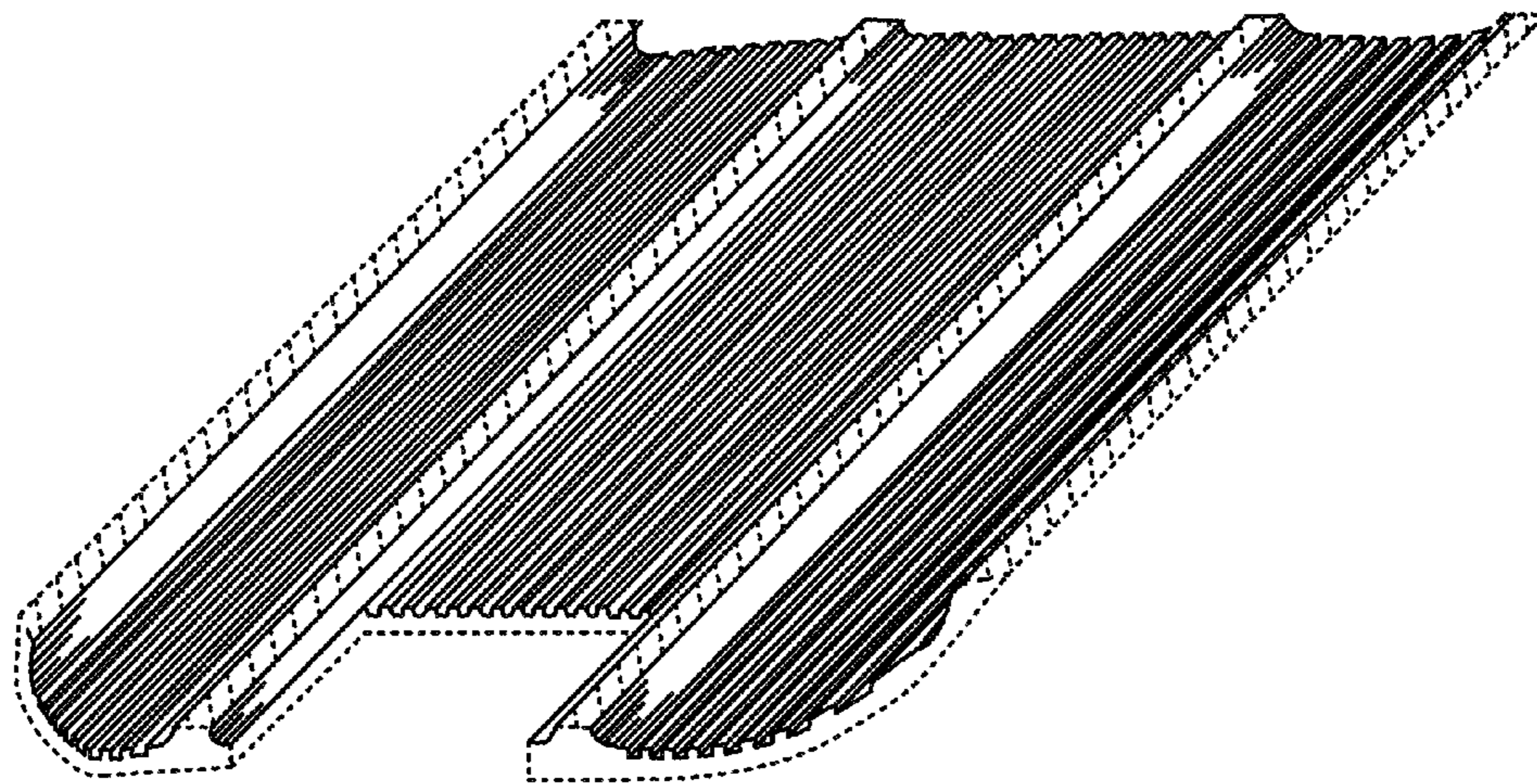
**Fig. 1**

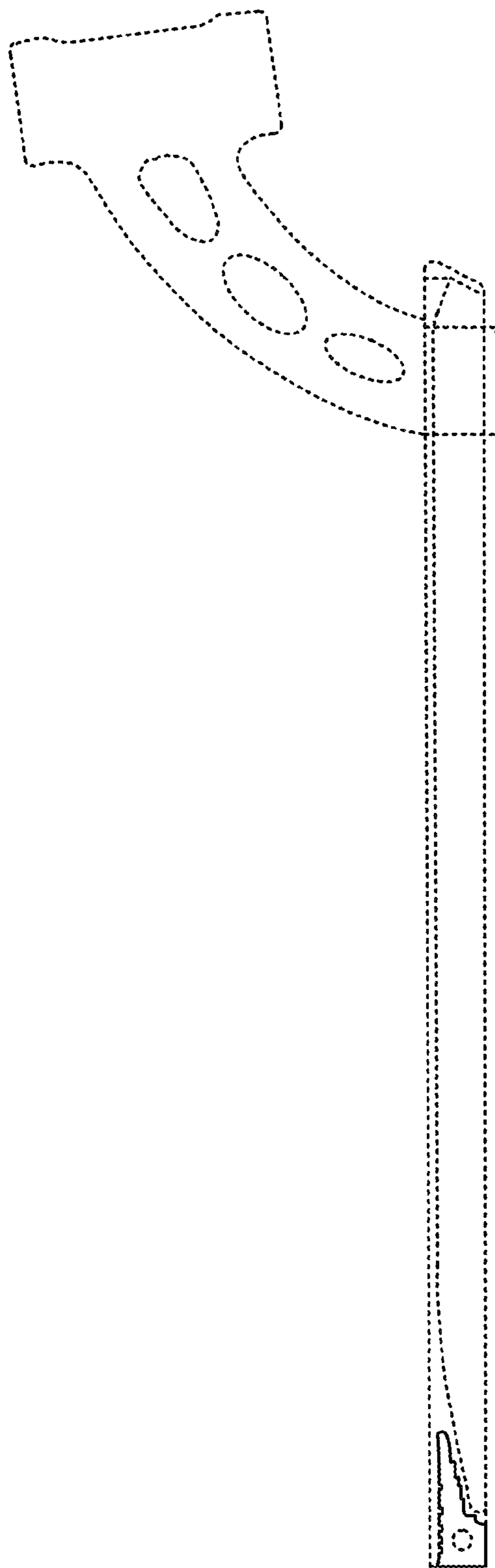


**Fig. 2**



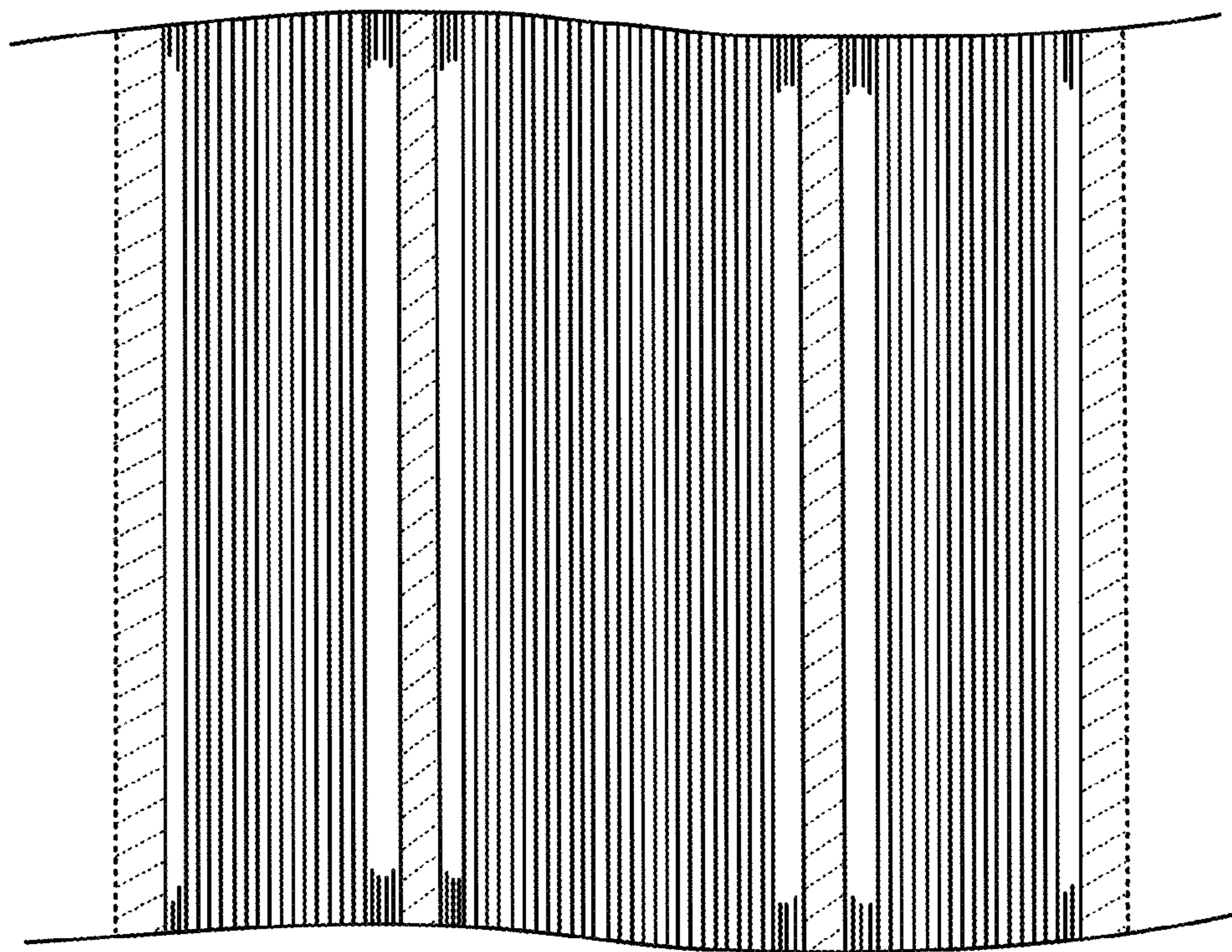
**Fig. 3**



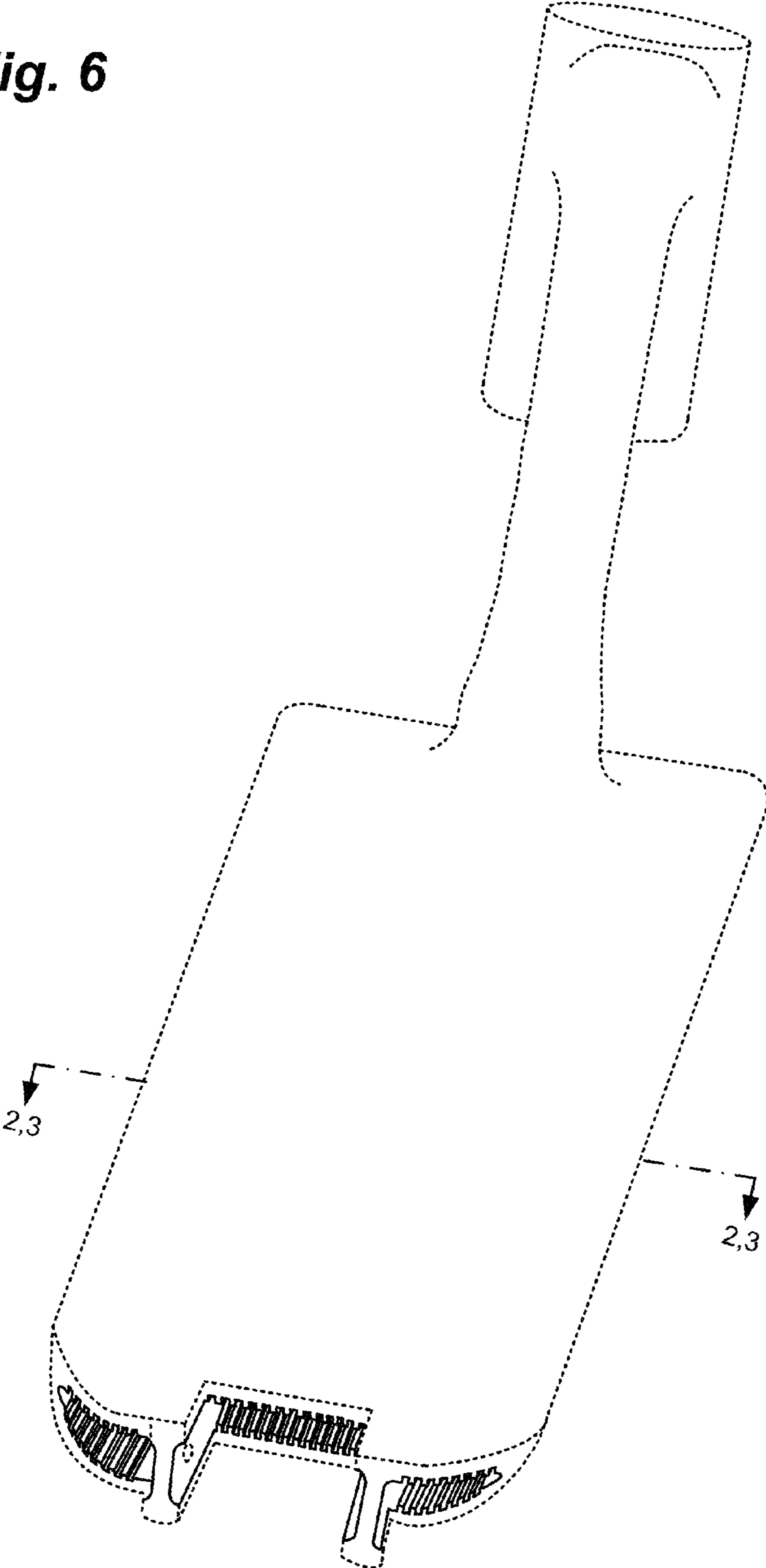


**Fig. 4**

**Fig. 5**



**Fig. 6**



**Fig. 7**

