



US00D697140S

(12) **United States Design Patent**
Baum

(10) **Patent No.:** **US D697,140 S**
(45) **Date of Patent:** **** Jan. 7, 2014**

(54) **GAMEPAD**

(71) Applicant: **David Baum**, Provo, UT (US)

(72) Inventor: **David Baum**, Provo, UT (US)

(73) Assignee: **Bladepad, LLC**, Provo, UT (US)

(**) Term: **14 Years**

(21) Appl. No.: **29/433,802**

(22) Filed: **Oct. 4, 2012**

(51) **LOC (10) Cl.** **21-01**

(52) **U.S. Cl.**
USPC **D21/333; D14/401**

(58) **Field of Classification Search**
USPC D14/399-401, 412-416; D21/324, 333;
273/148 B; 463/1, 29-39, 46, 47;
345/156-161, 905

See application file for complete search history.

(56) **References Cited**

U.S. PATENT DOCUMENTS

5,785,317 A * 7/1998 Sasaki 273/148 B
5,923,317 A * 7/1999 Sayler et al. 345/156
6,225,975 B1 * 5/2001 Furuki et al. 345/156
6,743,100 B1 * 6/2004 Neiser 463/37

D568,883 S * 5/2008 Ashida et al. D14/400
D570,349 S * 6/2008 Ashida et al. D14/400
7,762,553 B2 * 7/2010 Harris 273/148 B
D620,939 S * 8/2010 Suetake et al. D14/401
D636,773 S * 4/2011 Lin D14/401
D648,324 S * 11/2011 Medas D14/217
D653,292 S * 1/2012 Kotkin et al. D21/333
D685,434 S * 7/2013 Ali et al. D21/333

* cited by examiner

Primary Examiner — Prabhakar Deshmukh

(74) *Attorney, Agent, or Firm* — Superior IP, PLLC; Dustin L. Call

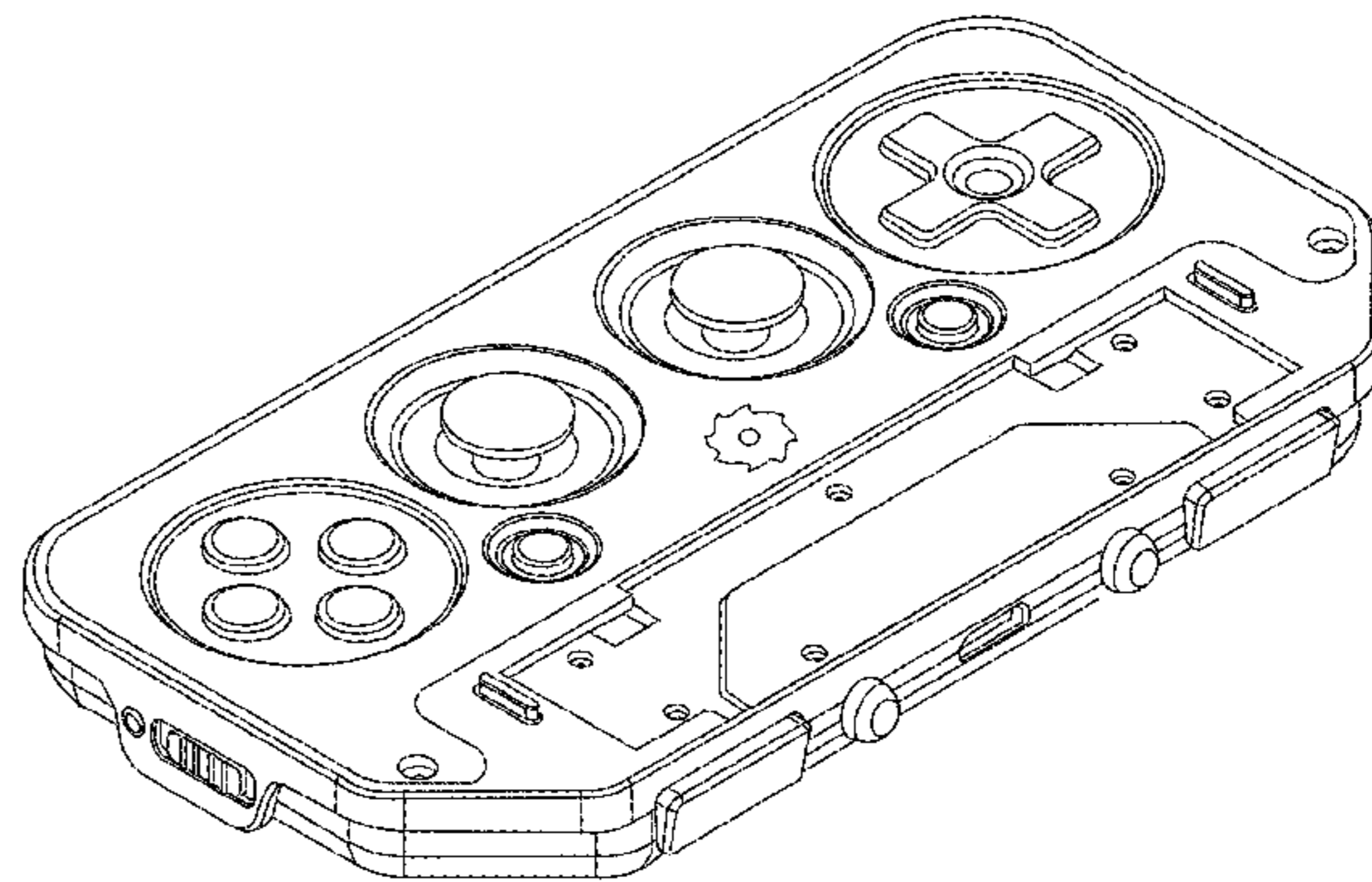
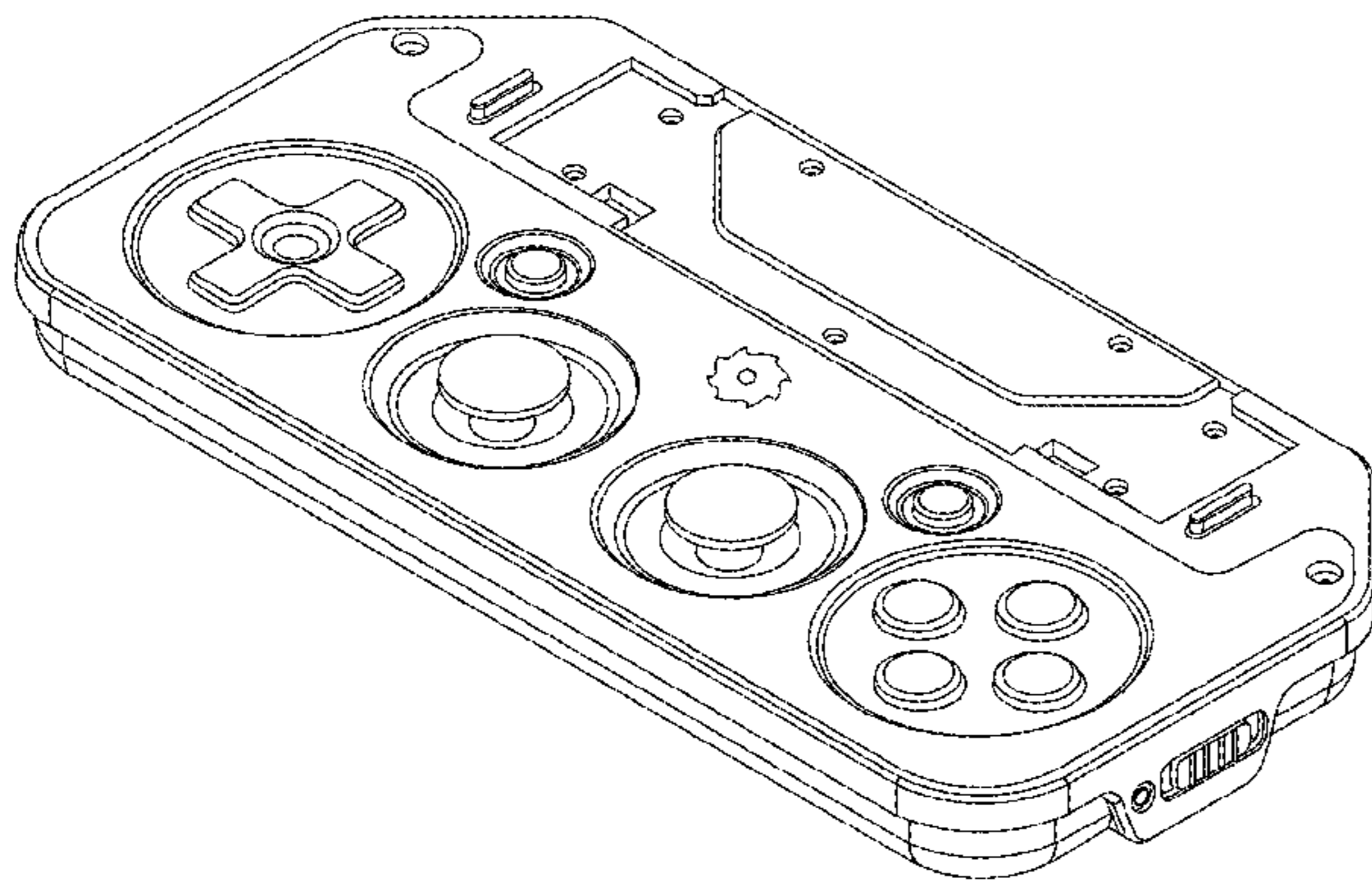
(57) **CLAIM**

The ornamental design for a gamepad, as shown and described.

DESCRIPTION

FIG. 1 is a rear view of a gamepad;
FIG. 2 is a bottom view thereof;
FIG. 3 is a bottom front perspective view thereof;
FIG. 4 is a front view thereof;
FIG. 5 is a top front perspective view thereof;
FIG. 6 is a left side view thereof
FIG. 7 is a top rear perspective view thereof;
FIG. 8 is a right side view thereof; and,
FIG. 9 is a top view thereof.

1 Claim, 5 Drawing Sheets



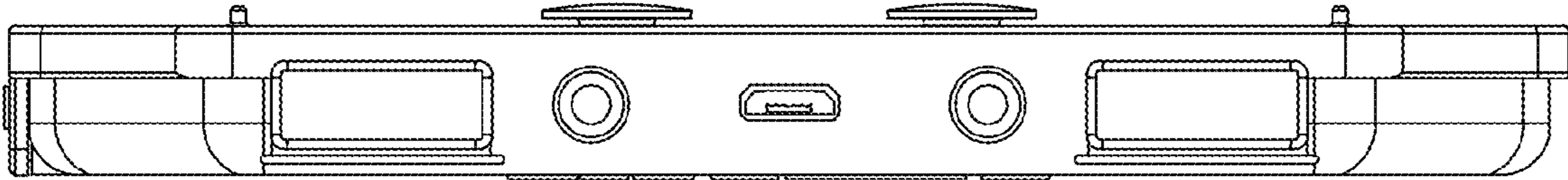


FIG. 1

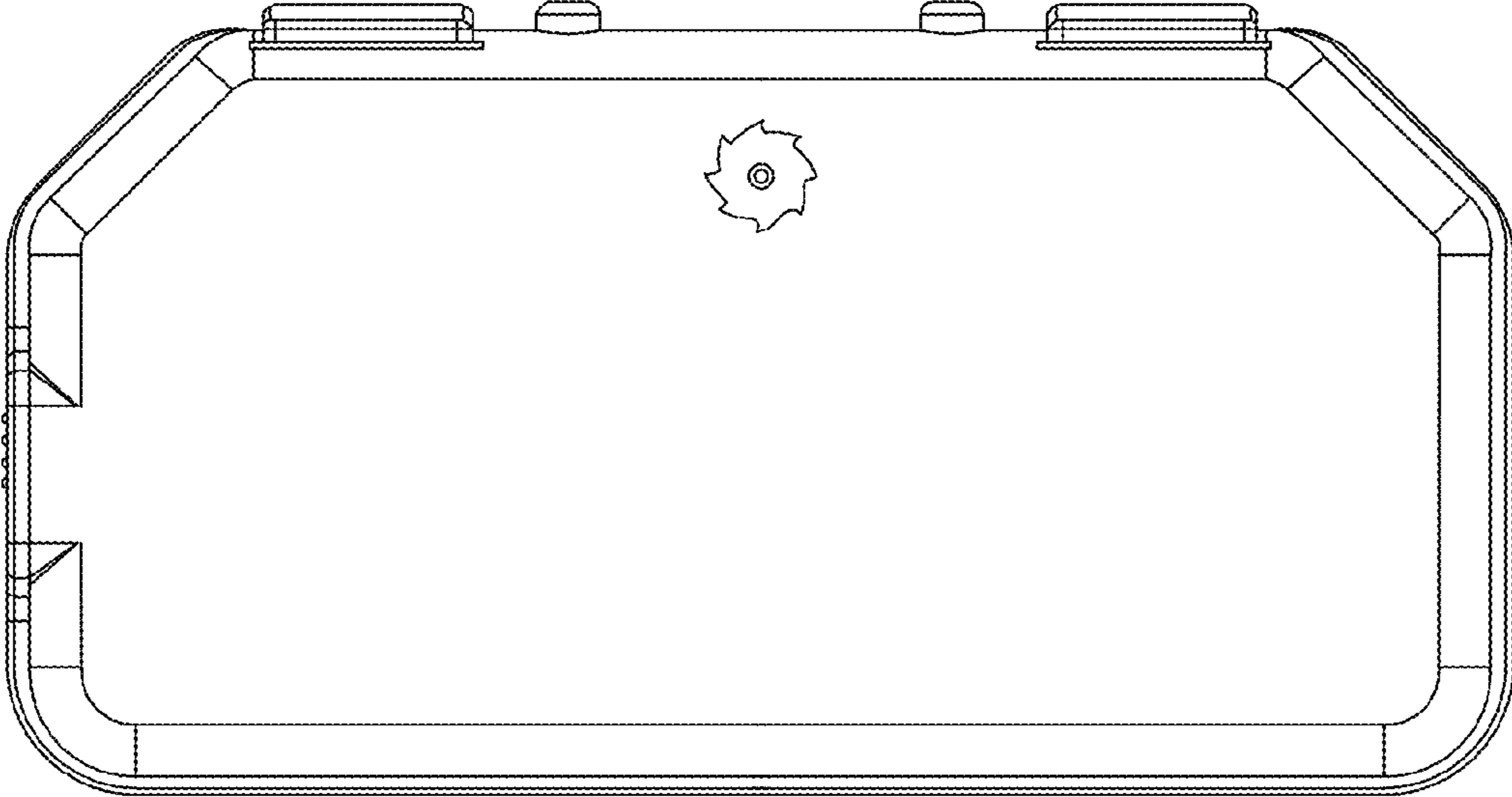


FIG. 2

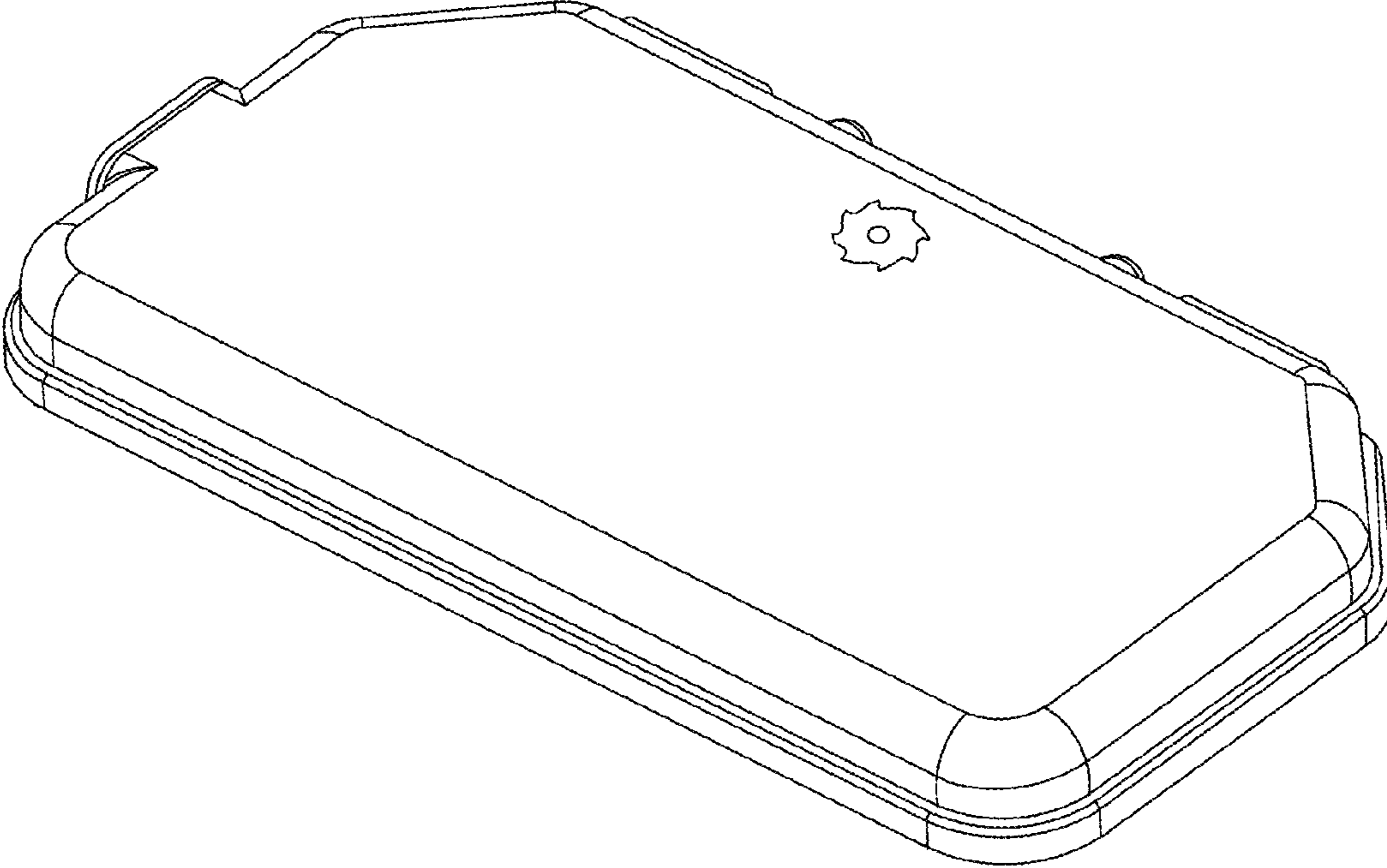


FIG. 3

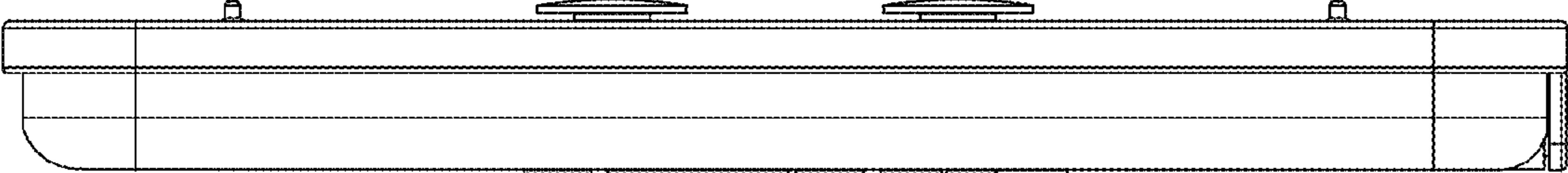


FIG. 4

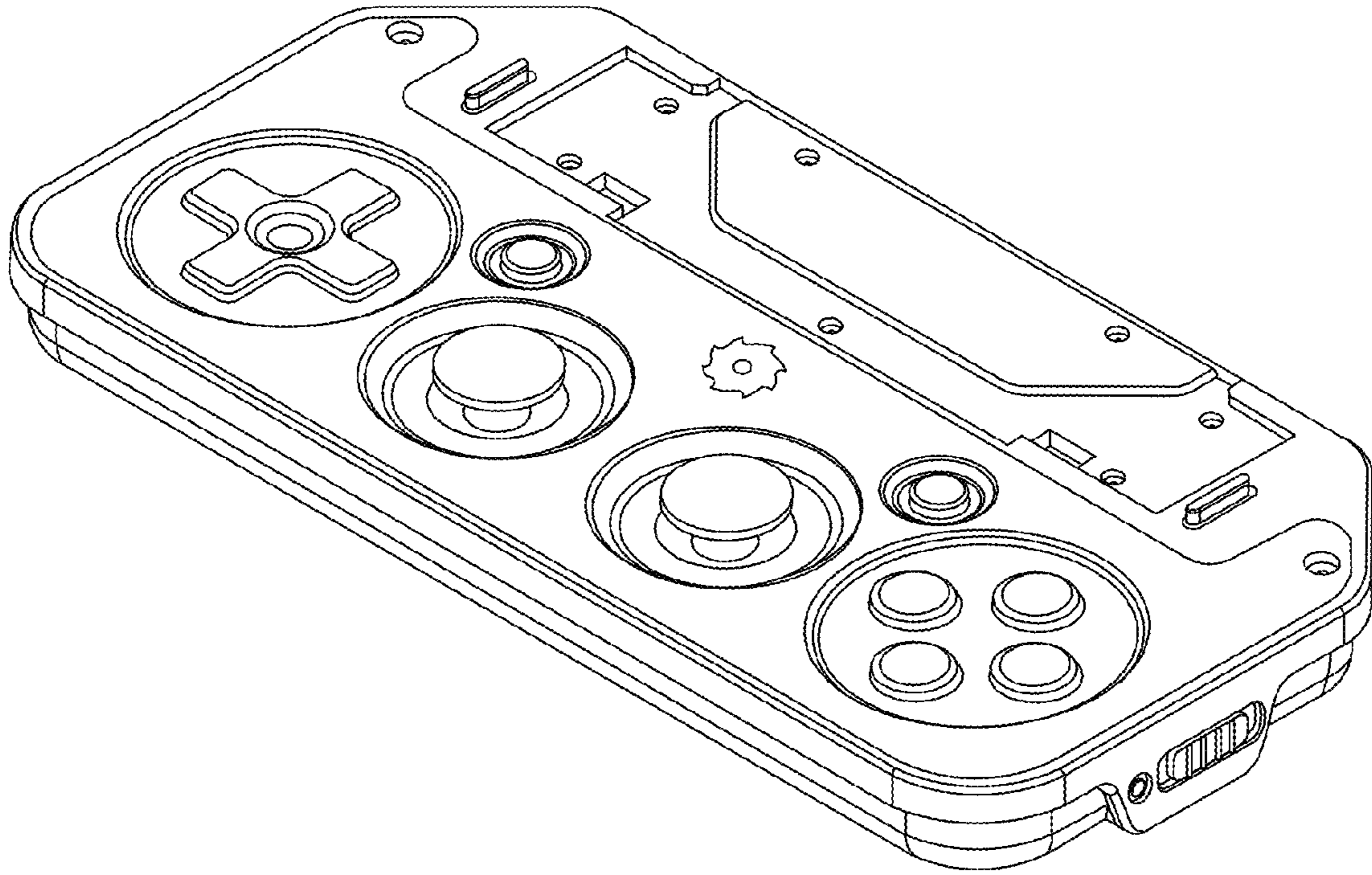


FIG. 5

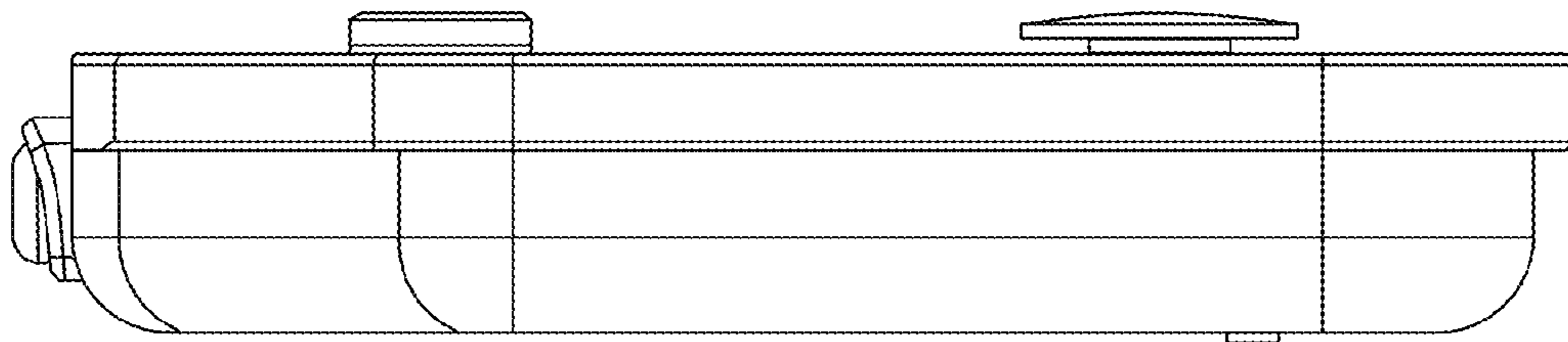


FIG. 6

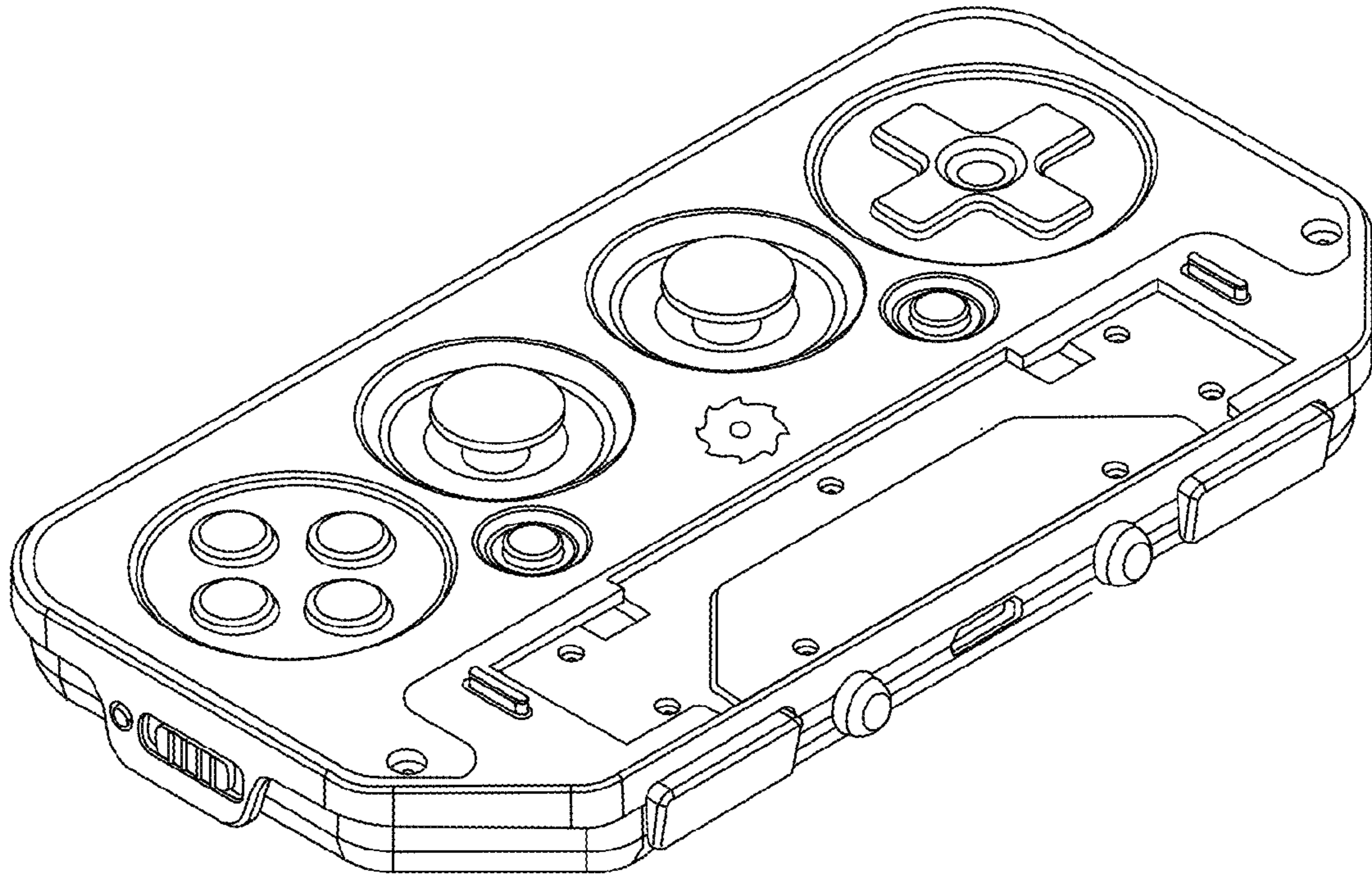


FIG. 7

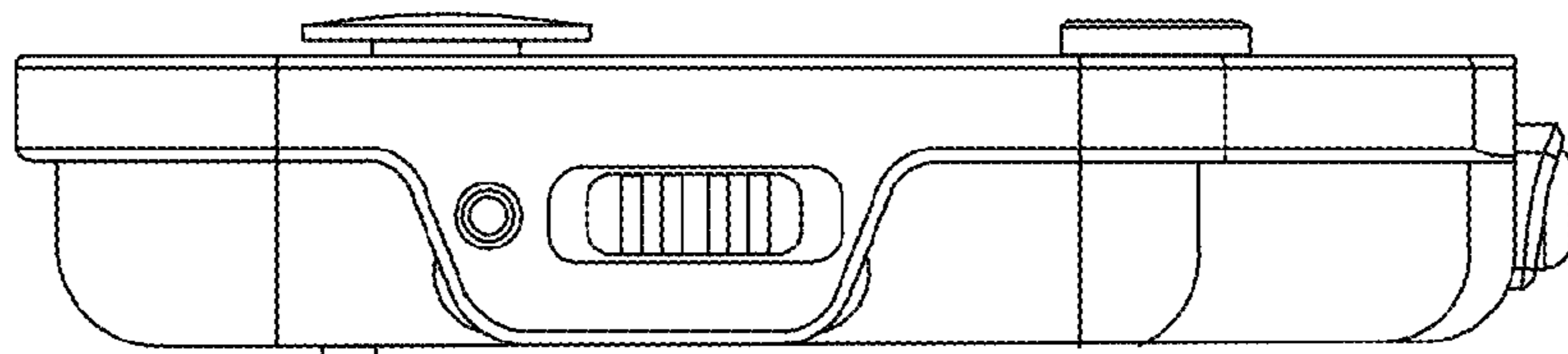


FIG. 8

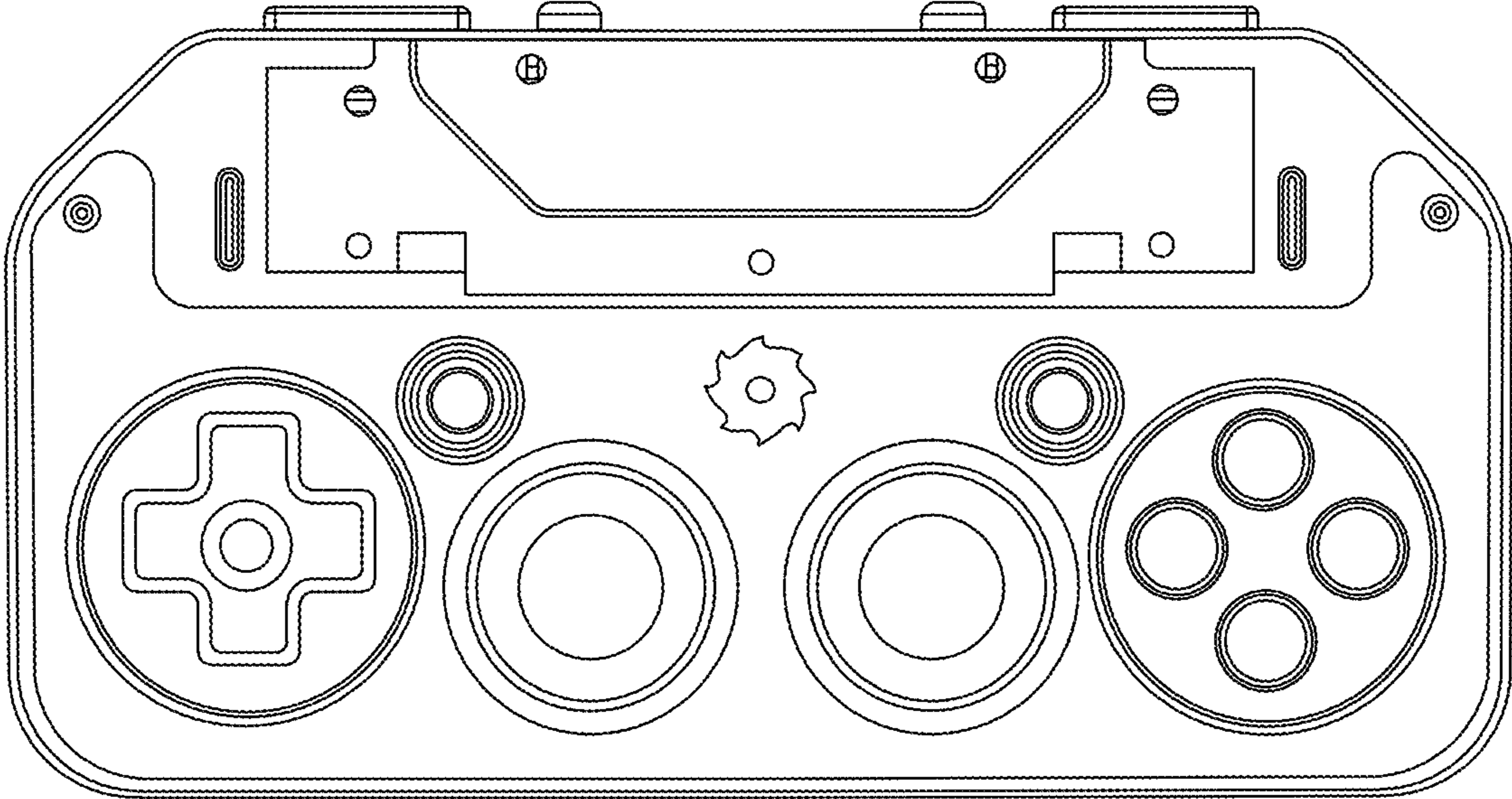


FIG. 9