



US00D697131S

(12) **United States Design Patent**
Hasui et al.

(10) **Patent No.:** **US D697,131 S**

(45) **Date of Patent:** **** Jan. 7, 2014**

(54) **CARTRIDGE FOR AN ELECTRONIC CUTTER**

(71) Applicants: **Kayo Hasui**, Nagoya (JP); **Mitsuharu Hattori**, Nagoya (JP); **Masahide Asano**, Nagoya (JP)

(72) Inventors: **Kayo Hasui**, Nagoya (JP); **Mitsuharu Hattori**, Nagoya (JP); **Masahide Asano**, Nagoya (JP)

(73) Assignee: **Brother Industries, Ltd.**, Nagoya (JP)

(**) Term: **14 Years**

(21) Appl. No.: **29/450,639**

(22) Filed: **Mar. 20, 2013**

(30) **Foreign Application Priority Data**

Nov. 8, 2012 (JP) 2012-27265

(51) **LOC (10) Cl.** **18-04**

(52) **U.S. Cl.**
USPC **D18/34.9**

(58) **Field of Classification Search**
USPC D18/34.1, 34.3–34.6, 34.8–34.9, 43;
D19/72; 83/613–614; 241/36, 37.5,
241/100, 236

See application file for complete search history.

(56) **References Cited**

U.S. PATENT DOCUMENTS

4,997,134	A	*	3/1991	MacGregor	241/236
D320,807	S	*	10/1991	Krause et al.	D18/34.4
D343,003	S	*	1/1994	Mechler et al.	D24/220
D398,635	S	*	9/1998	Ban et al.	D18/43
D475,397	S	*	6/2003	Harris et al.	D18/43
D550,853	S	*	9/2007	Jones	D18/34.1
D659,185	S	*	5/2012	Watson	D18/34.4

* cited by examiner

Primary Examiner — Cathy A MacCormac

(74) *Attorney, Agent, or Firm* — Oliff & Berridge, PLC

(57) **CLAIM**

The ornamental design for a cartridge for an electronic cutter, as shown and described.

DESCRIPTION

FIG. 1 is a top, front, right-side perspective view of a cartridge for an electronic cutter;

FIG. 2 is a top view thereof;

FIG. 3 is a front view thereof;

FIG. 4 is a right-side view thereof, the left-side view being a mirror image of the right-side view;

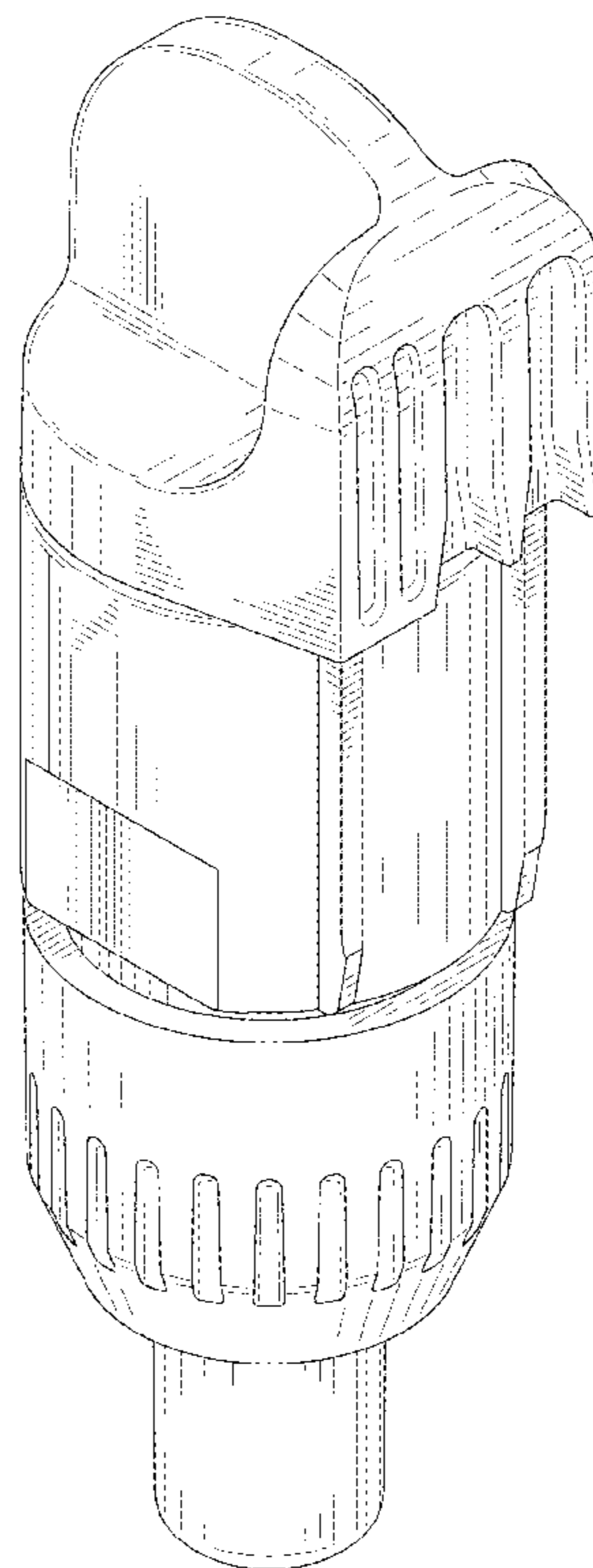
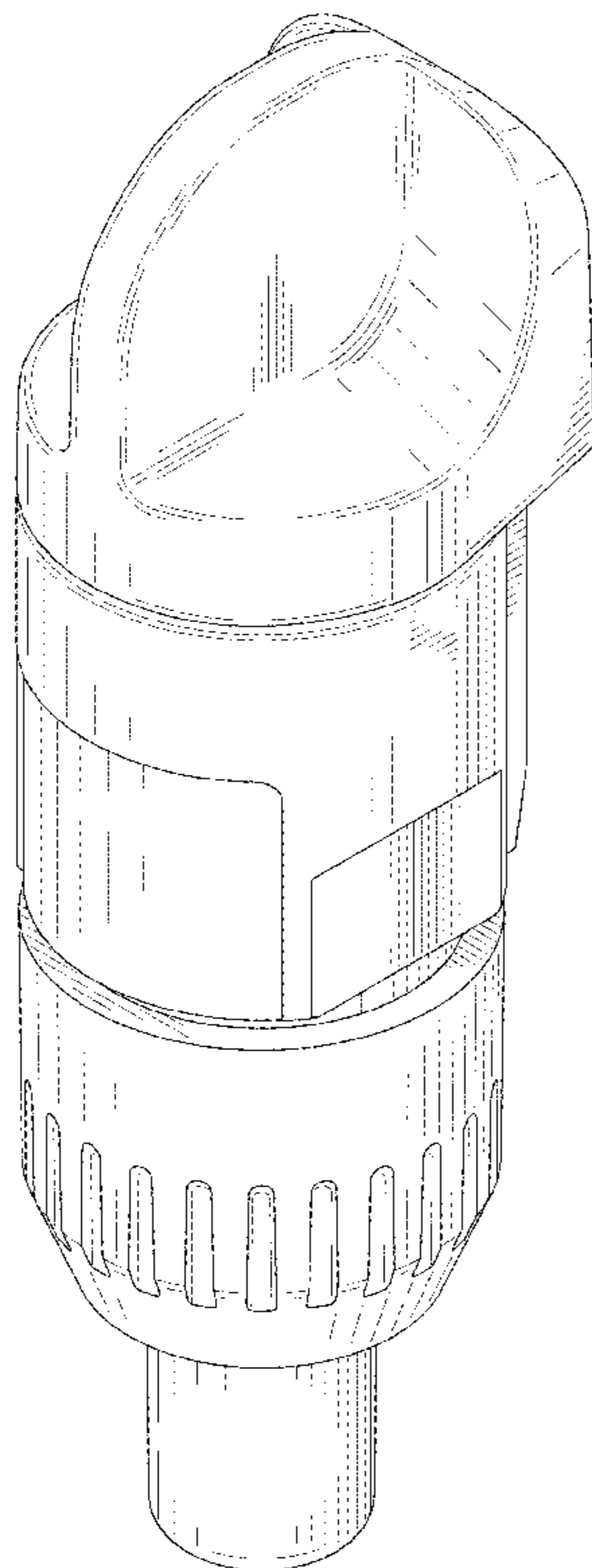
FIG. 5 is a rear view thereof;

FIG. 6 is a bottom view thereof, and,

FIG. 7 is a top, rear, right-side perspective view thereof.

The broken lines depict unclaimed subject matter only and form no part of the claimed design.

1 Claim, 5 Drawing Sheets



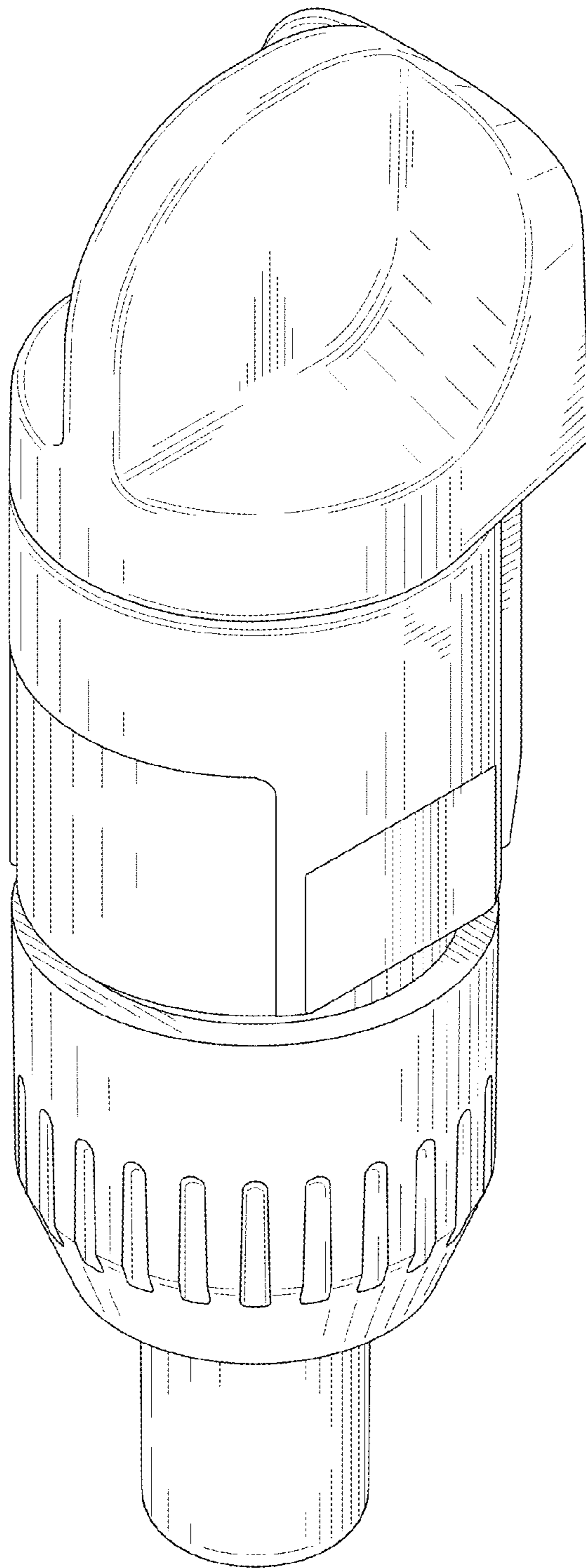


FIG. 1

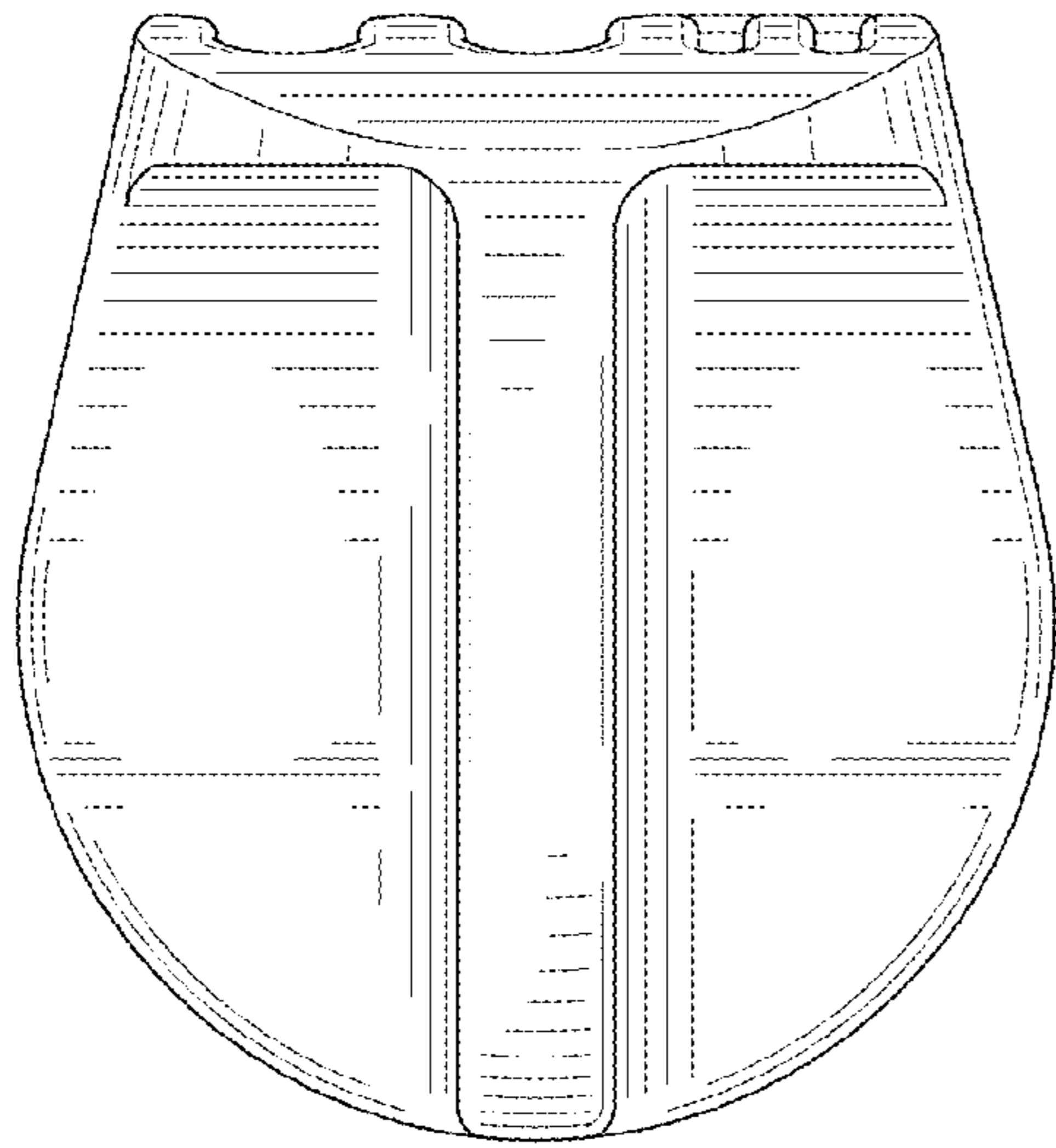


FIG. 2

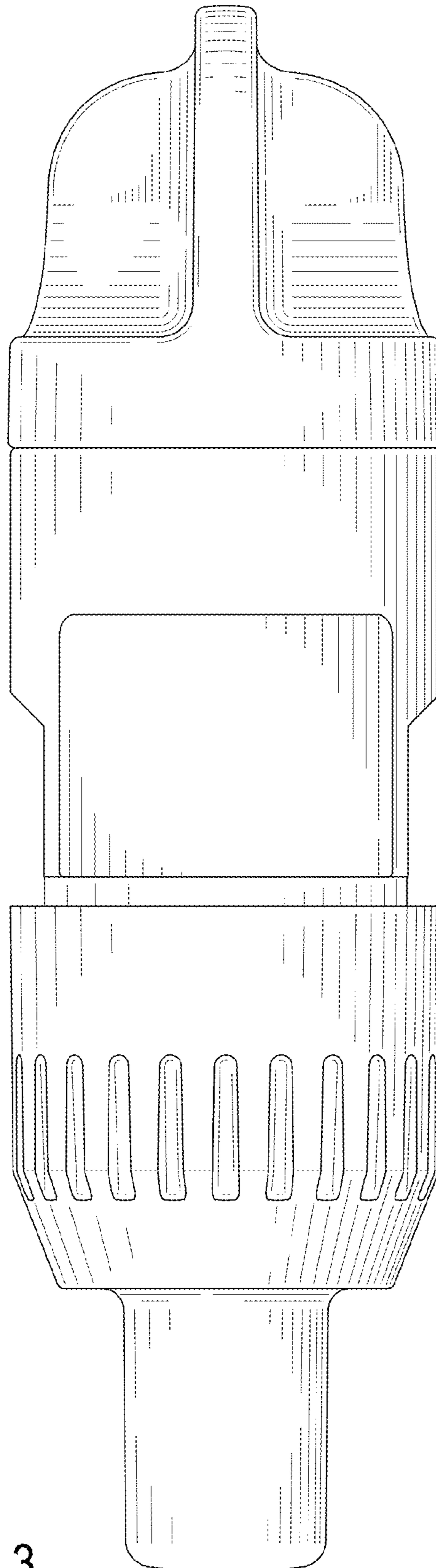


FIG. 3

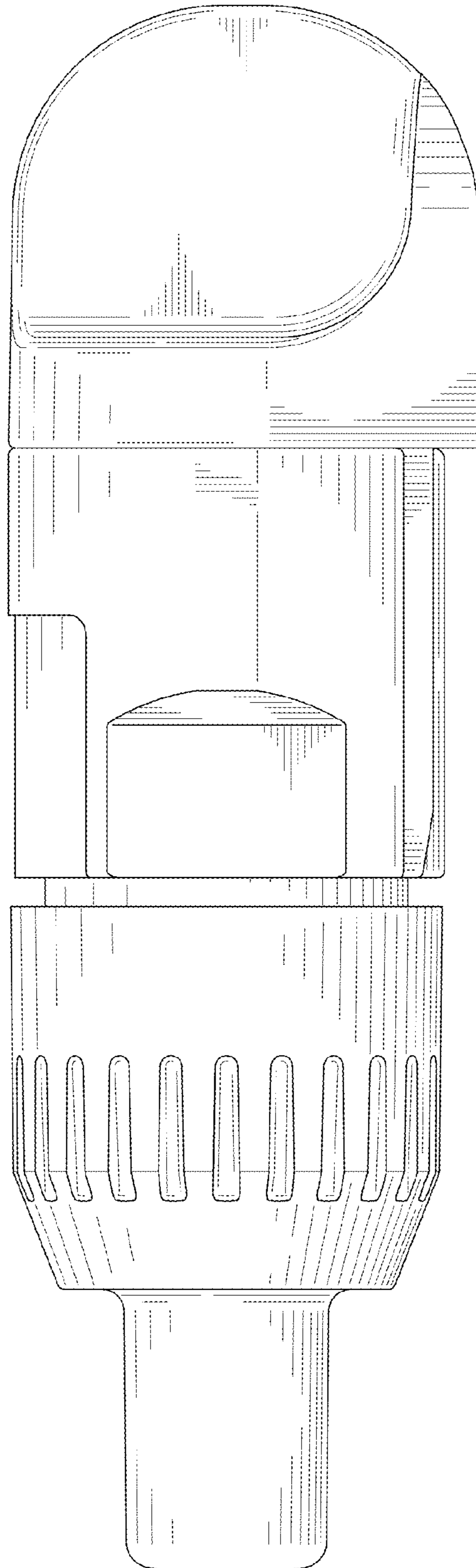


FIG. 4

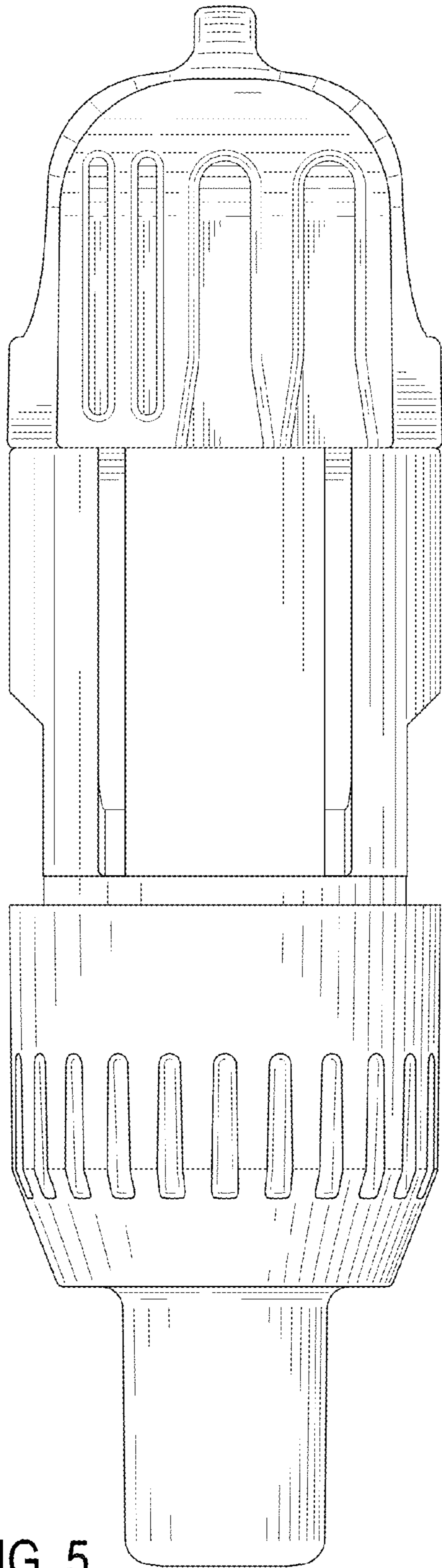


FIG. 5

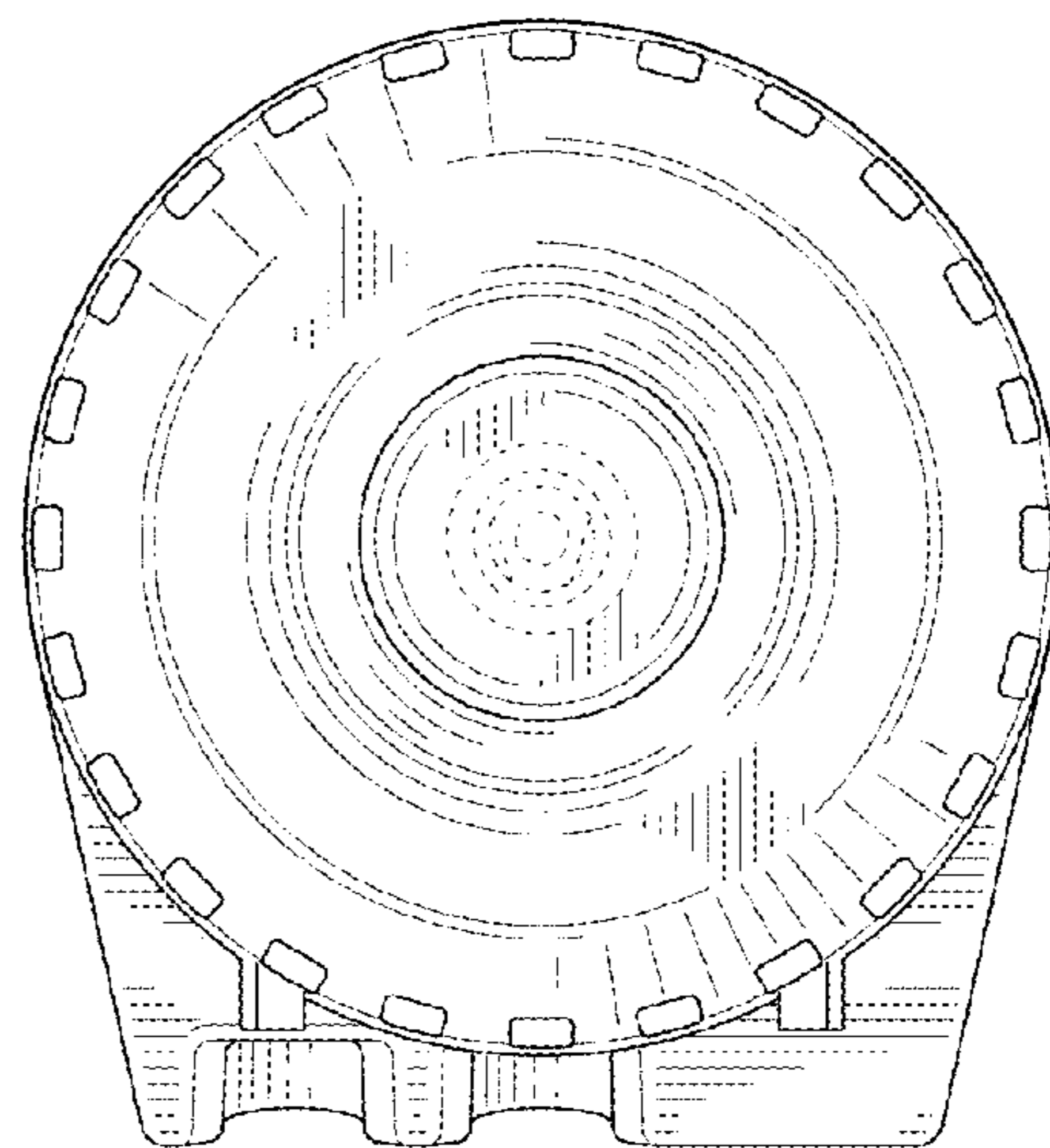


FIG. 6

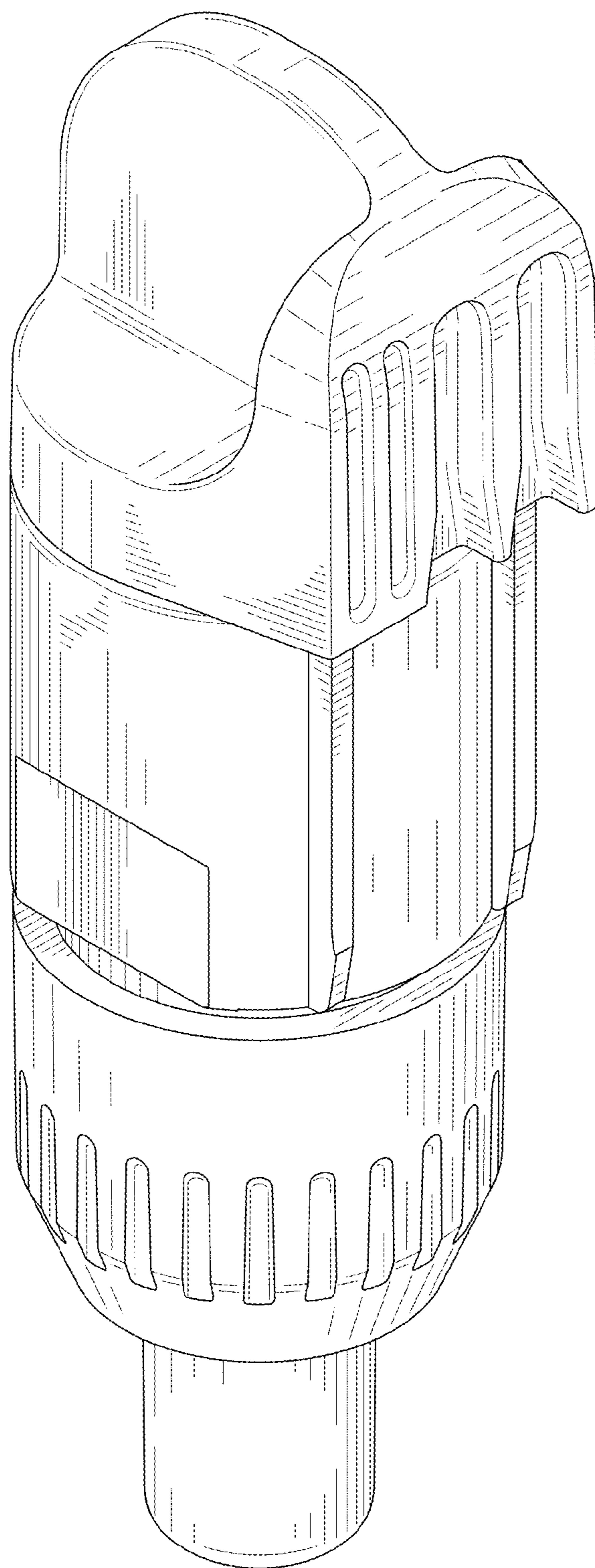


FIG. 7